

[54] CONTAINER FOR PLATES

[75] Inventor: Furio Minuti, Macerata, Italy

[73] Assignee: Fratelli Guzzini, S.p.A., Recanati, Italy

[**] Term: 14 Years

[21] Appl. No.: 80,705

[22] Filed: Aug. 3, 1987

[30] Foreign Application Priority Data

Feb. 4, 1987 [IT] Italy 20733 B/87
[52] U.S. Cl. D9/424
[58] Field of Search D9/414-433,
D9/345; D7/23, 37, 70; 206/303, 398, 307, 309,
444, 226, 232, 387, 389, 397, 407; 220/4 B, 252,
4 D, 315; 312/9-12

[56] References Cited

U.S. PATENT DOCUMENTS

3,392,868 7/1968 Pfrommer D9/422 X
3,650,388 3/1972 Osojnak 206/398
3,885,548 5/1975 Regan 206/303 X

3,938,726 2/1976 Holden, Jr. et al. D9/426 X
4,174,039 11/1979 Frankhuizen 220/4 B X
4,252,328 2/1981 Raj et al. 206/303 X

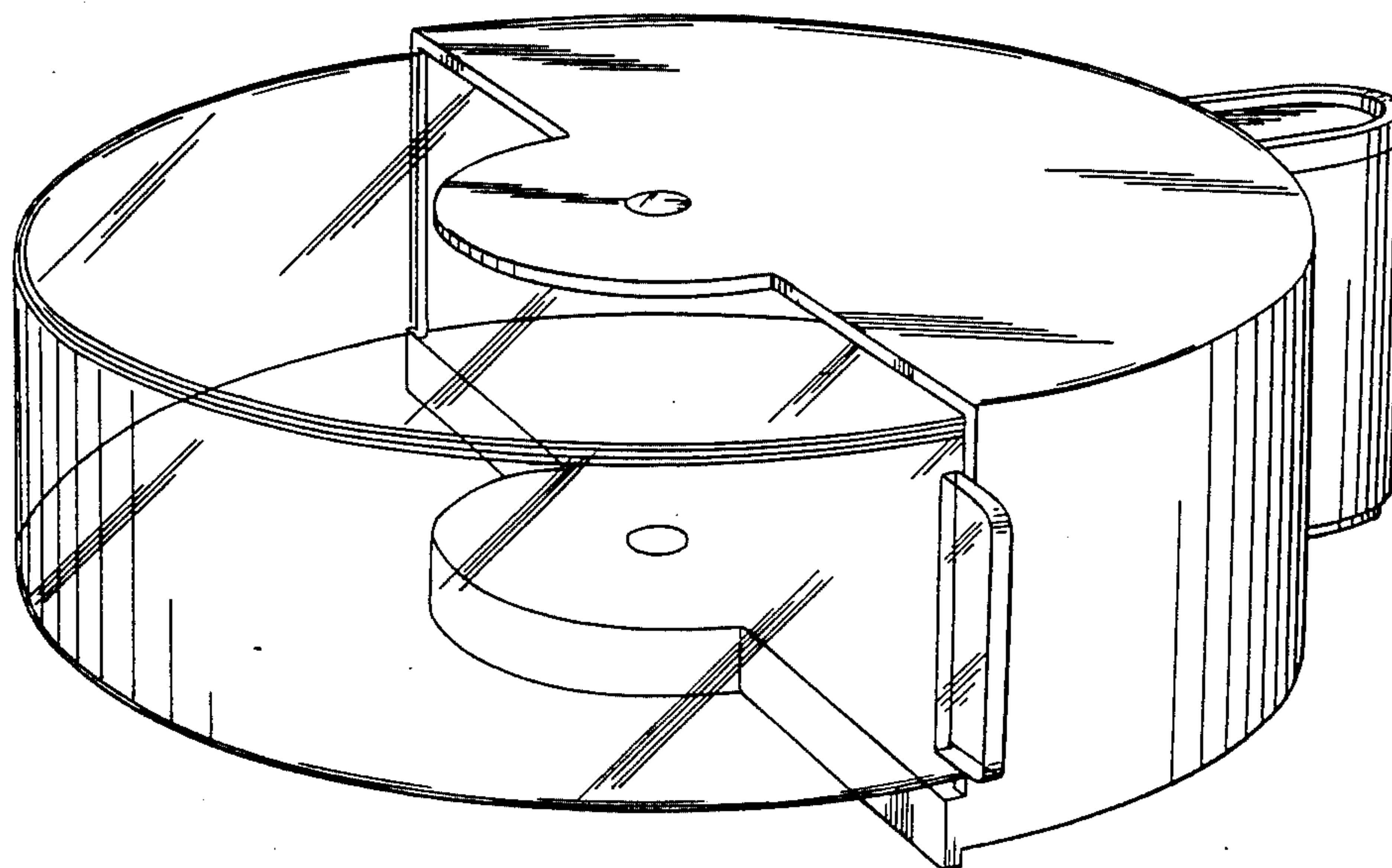
Primary Examiner—Charles A. Rademaker
Assistant Examiner—Prabhakar Deshmukh
Attorney, Agent, or Firm—Hedman, Gibson, Costigan & Hoare

[57] CLAIM

The ornamental design for a container for plates, as shown and described.

DESCRIPTION

FIG. 1 is a top perspective view of a container for plates showing my new design;
FIG. 2 is a top plan view thereof;
FIG. 3 is a bottom plan view thereof;
FIG. 4 is a side elevational view thereof taken in the direction of arrow 4 on FIG. 1;
FIG. 5 is a side elevational view thereof taken in the direction of arrow 5 on FIG. 1;
FIG. 6 is a side elevational view thereof taken in the direction of arrow 6 on FIG. 1;
FIG. 7 is a side elevational view thereof taken in the direction of arrow 7 on FIG. 1.



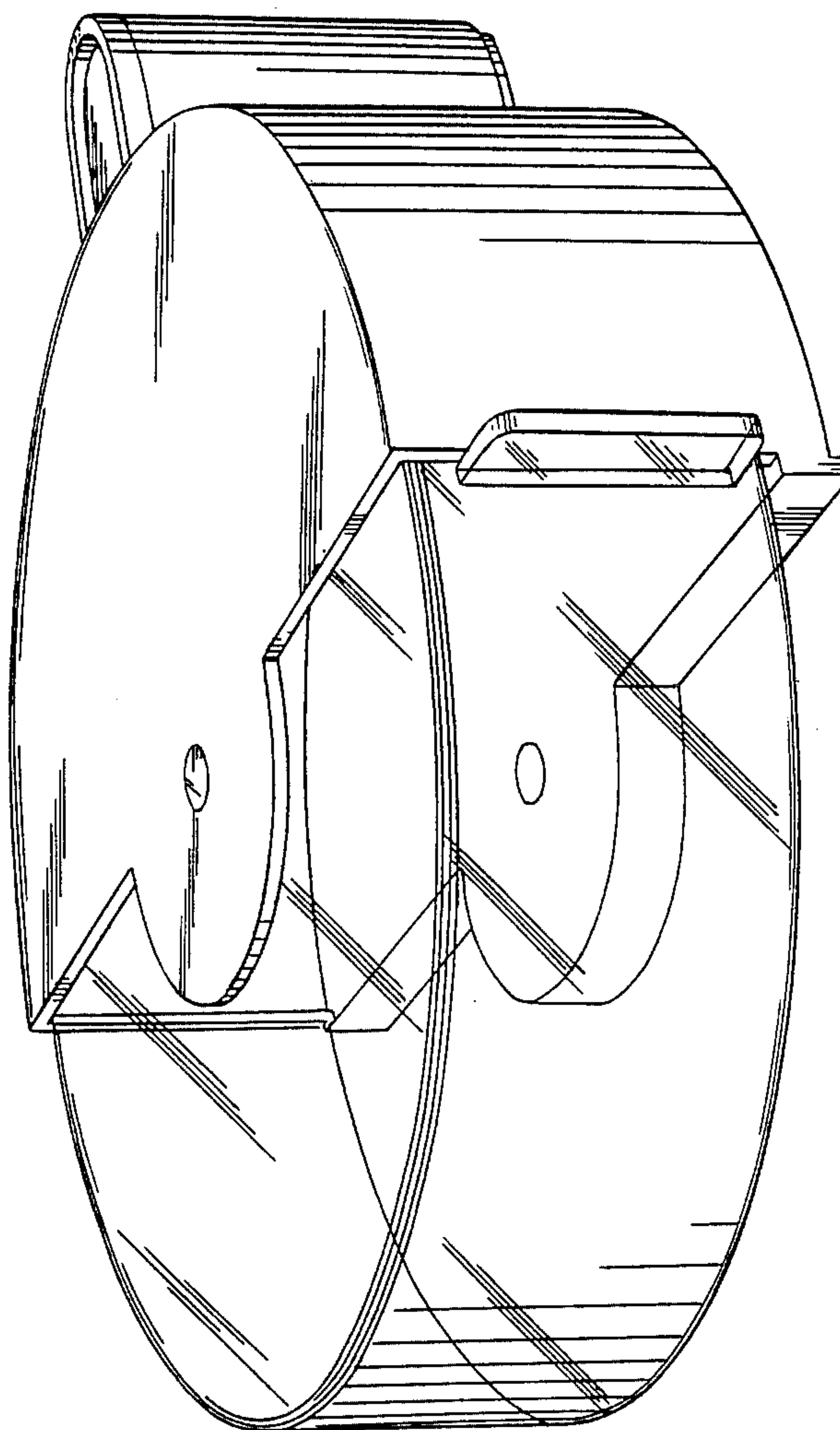


Fig.1

