

[54] WICKER CONTAINER

[76] Inventor: Barbara A. Grimm, Block 26, 25 Floor, Flat C, 555 Victoria Road, Baguio Villa, Hong Kong

[**] Term: 14 Years

[21] Appl. No.: 211,689

[22] Filed: Jun. 27, 1988

[52] U.S. Cl. D9/414

[58] Field of Search D9/414; D34/40, 41, D34/42; 217/122-125, 40, 68; 144/333; 147/48

[56] References Cited

U.S. PATENT DOCUMENTS

D. 81,668	7/1930	Seyfferle	D34/42
97,836	12/1869	Venet	217/122
107,446	9/1870	Carman et al.	217/122
4,461,801	7/1984	Graham	217/122 X

OTHER PUBLICATIONS

Royal Cathay Cat., 1982, p. 72, Item B.

Antique Baskets & Basketery, 1985, pp. 11, 15, top right of the page.

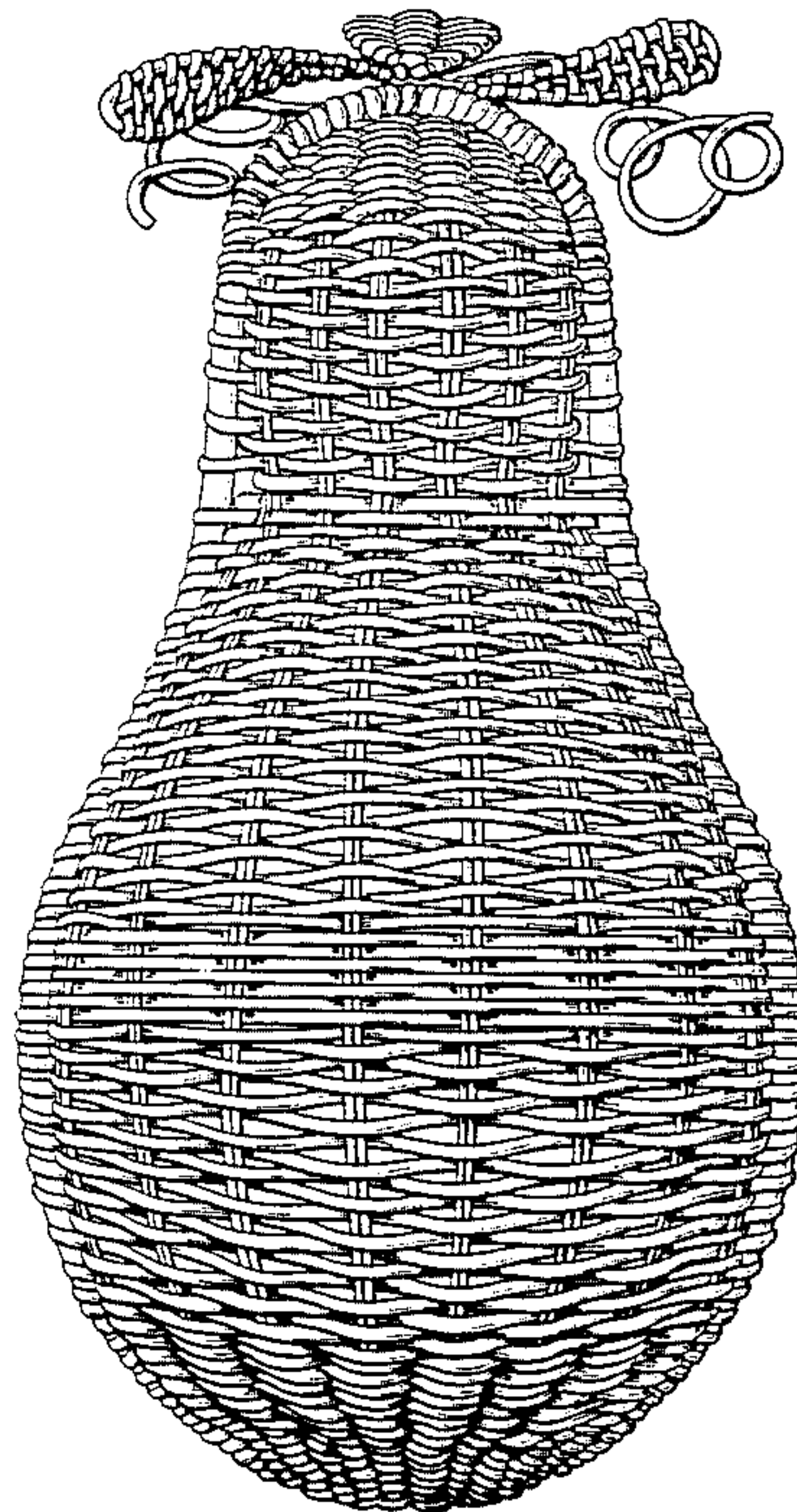
Primary Examiner—Bernard Ansher
Assistant Examiner—Prabhakar Deshmukh
Attorney, Agent, or Firm—Alan H. Levine

[57] CLAIM

The ornamental design for a wicker container, as shown and described.

DESCRIPTION

FIG. 1 is a top plan view of a wicker container showing my new design;
FIG. 2 is a bottom plan view thereof;
FIG. 3 is a left side elevation thereof;
FIG. 4 is a right side elevation thereof;
FIG. 5 is a front elevation thereof;
FIG. 6 is a rear side elevation thereof;
FIG. 7 is a perspective view thereof;
FIG. 8 is a perspective view thereof, in open position; and
FIG. 9 is a perspective view of a modified form of FIG. 1 container bottom.



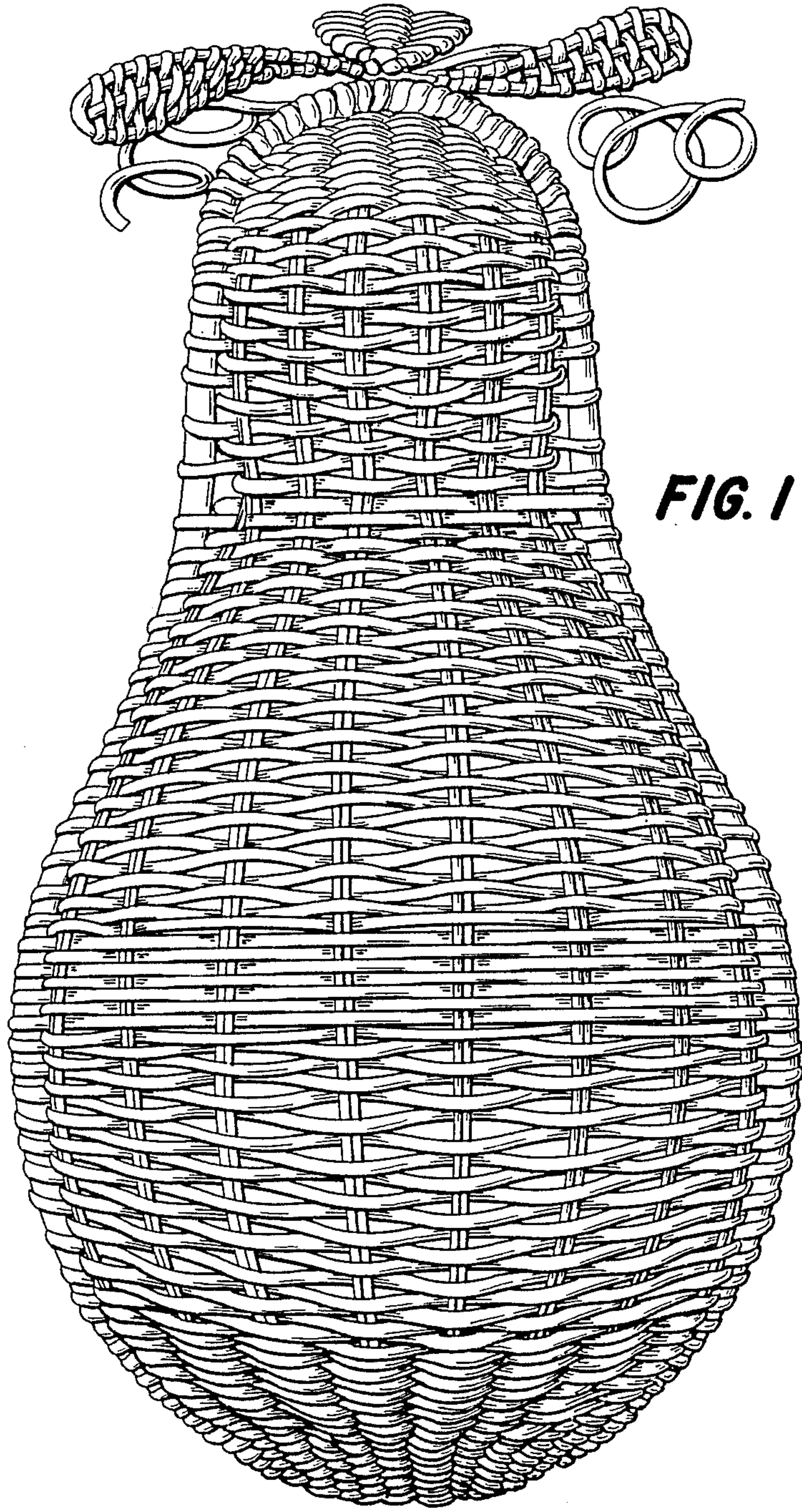


FIG. 1

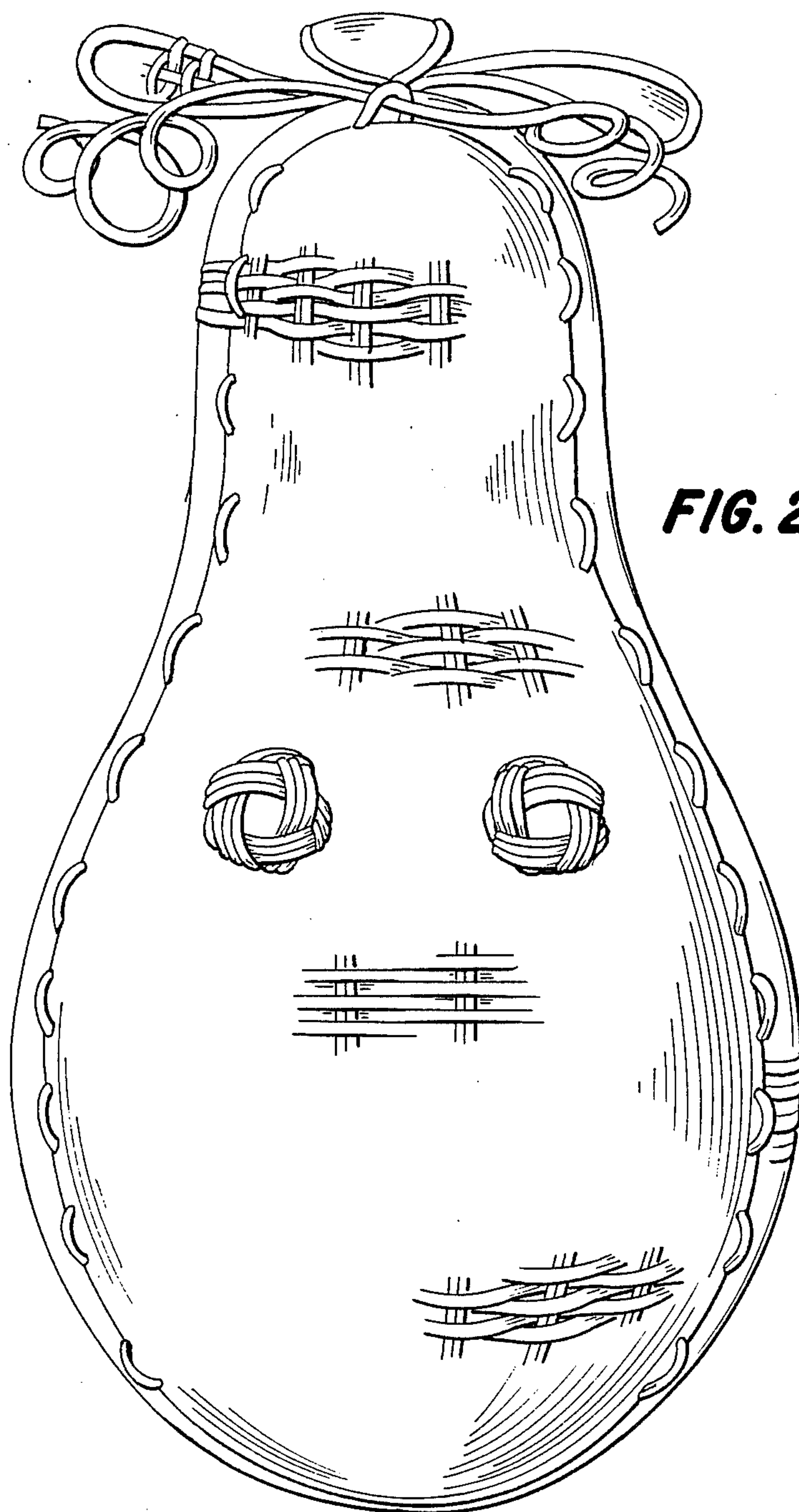


FIG. 2

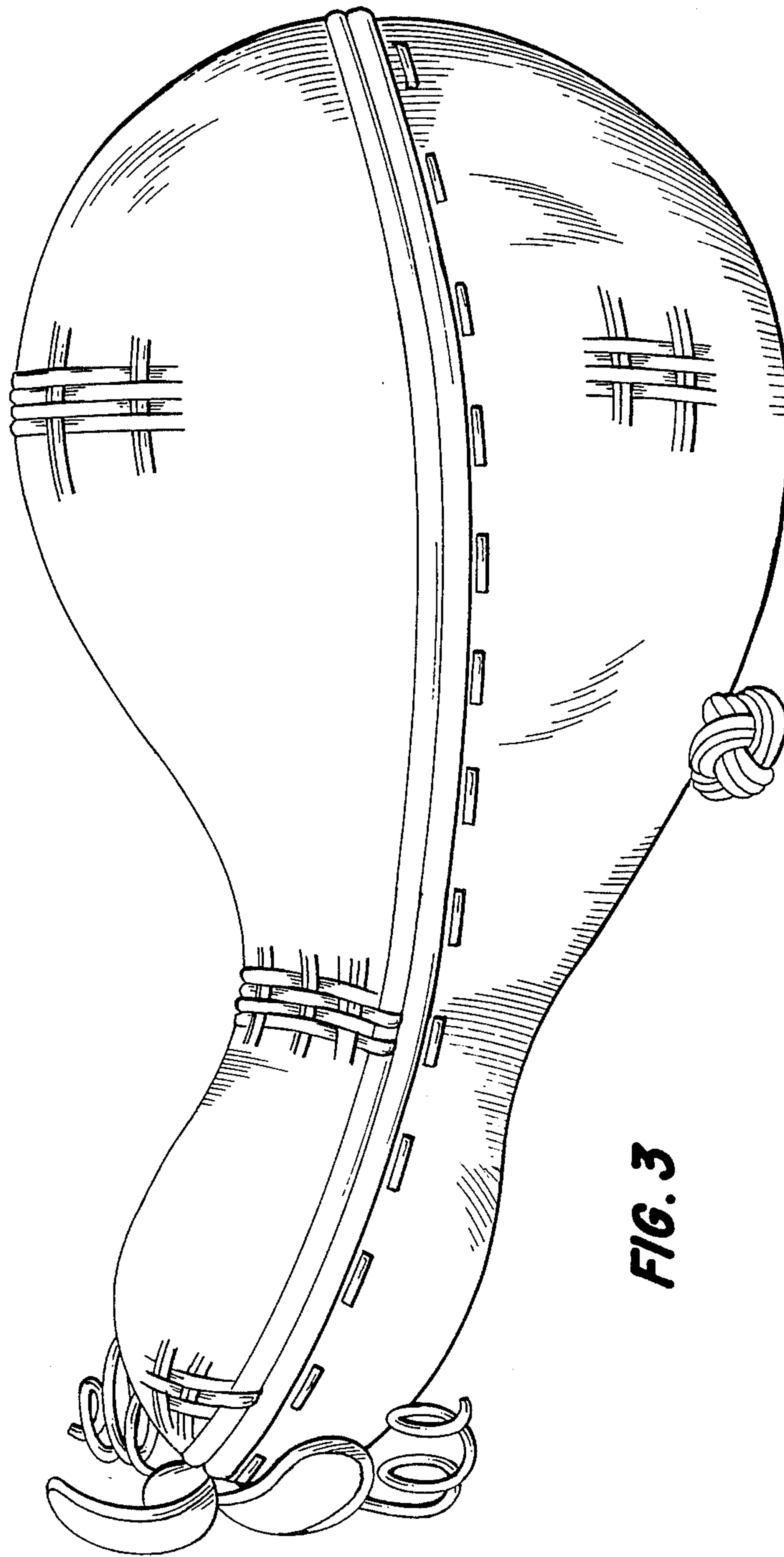


FIG. 3

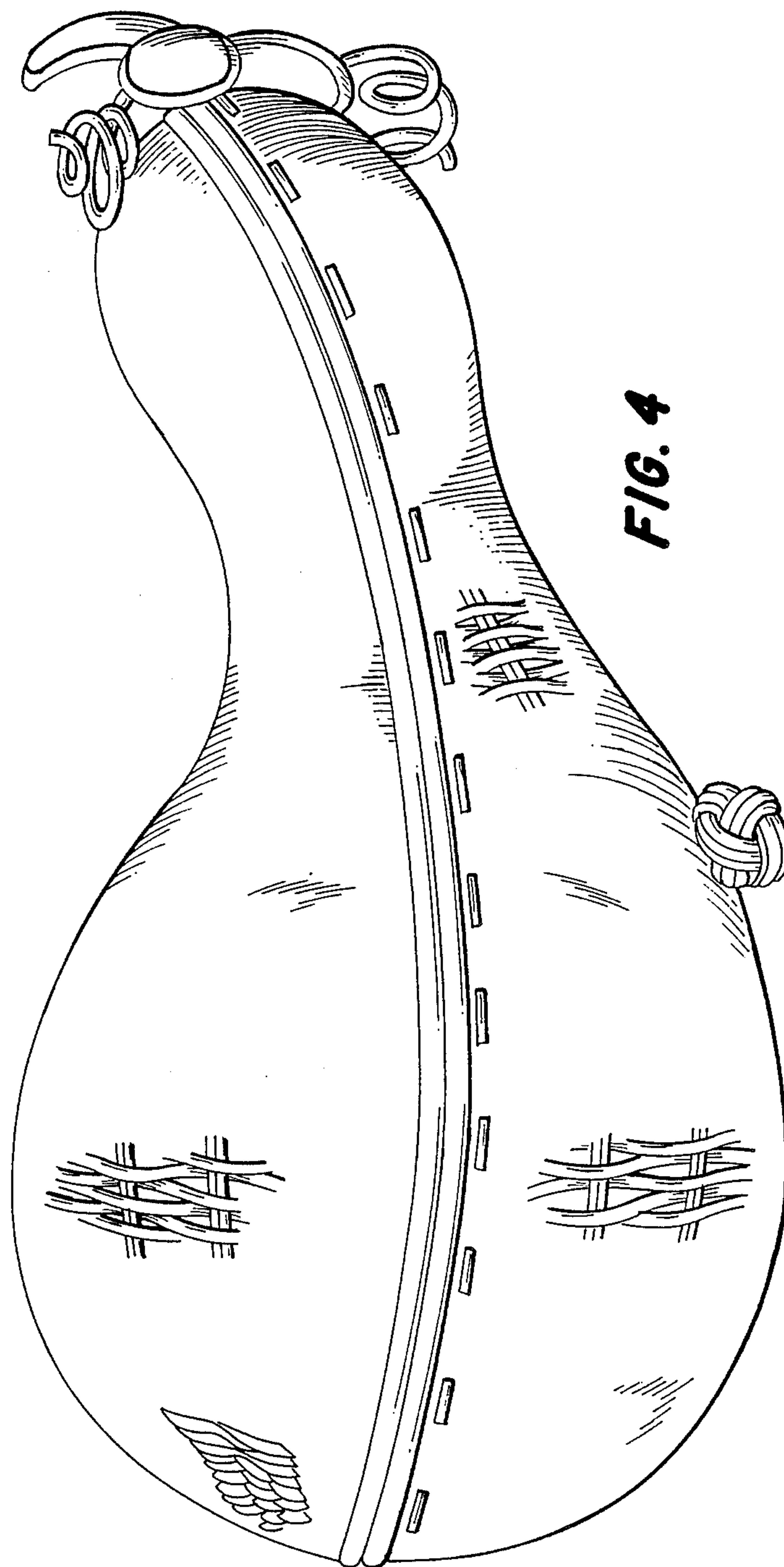
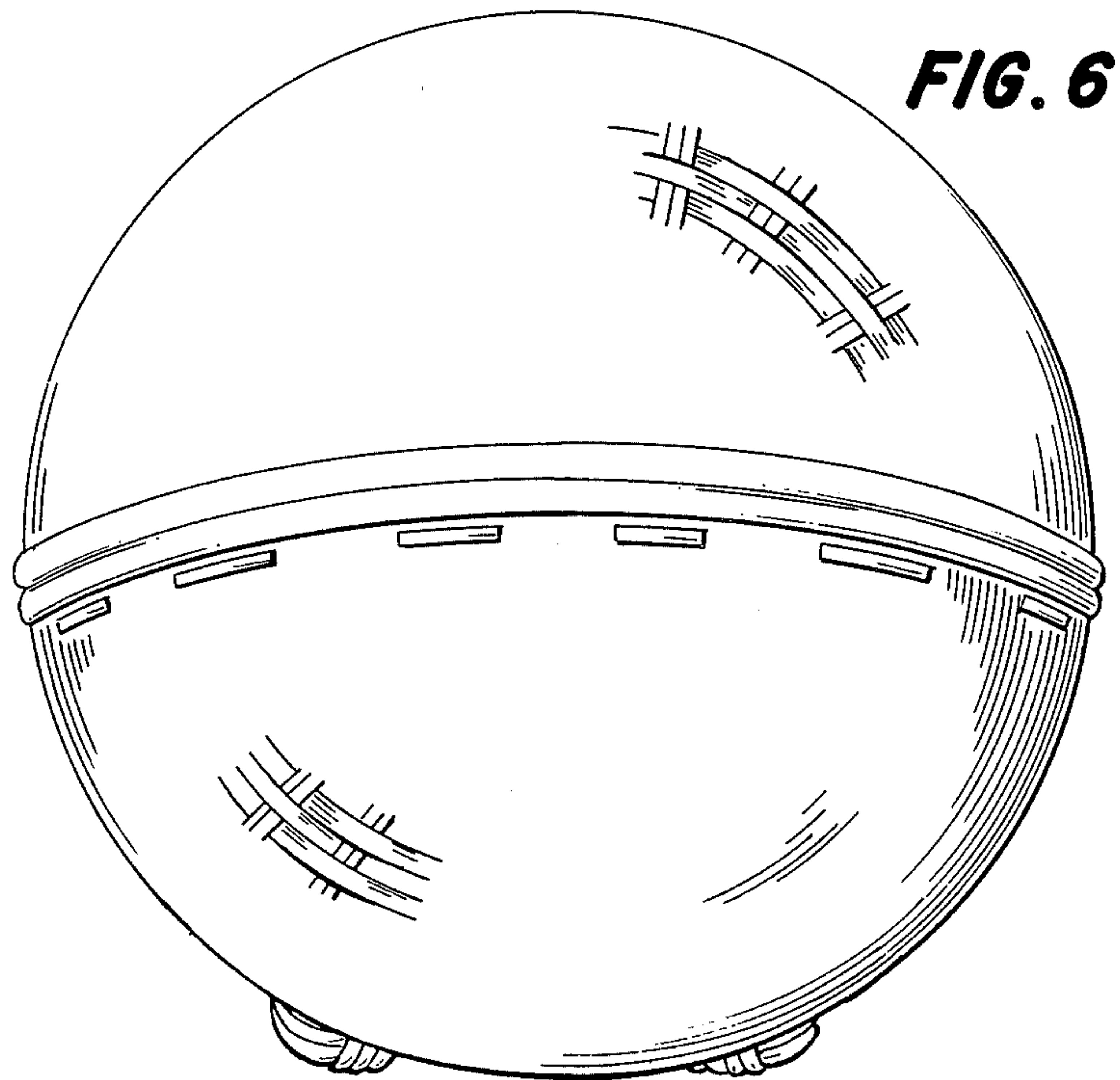
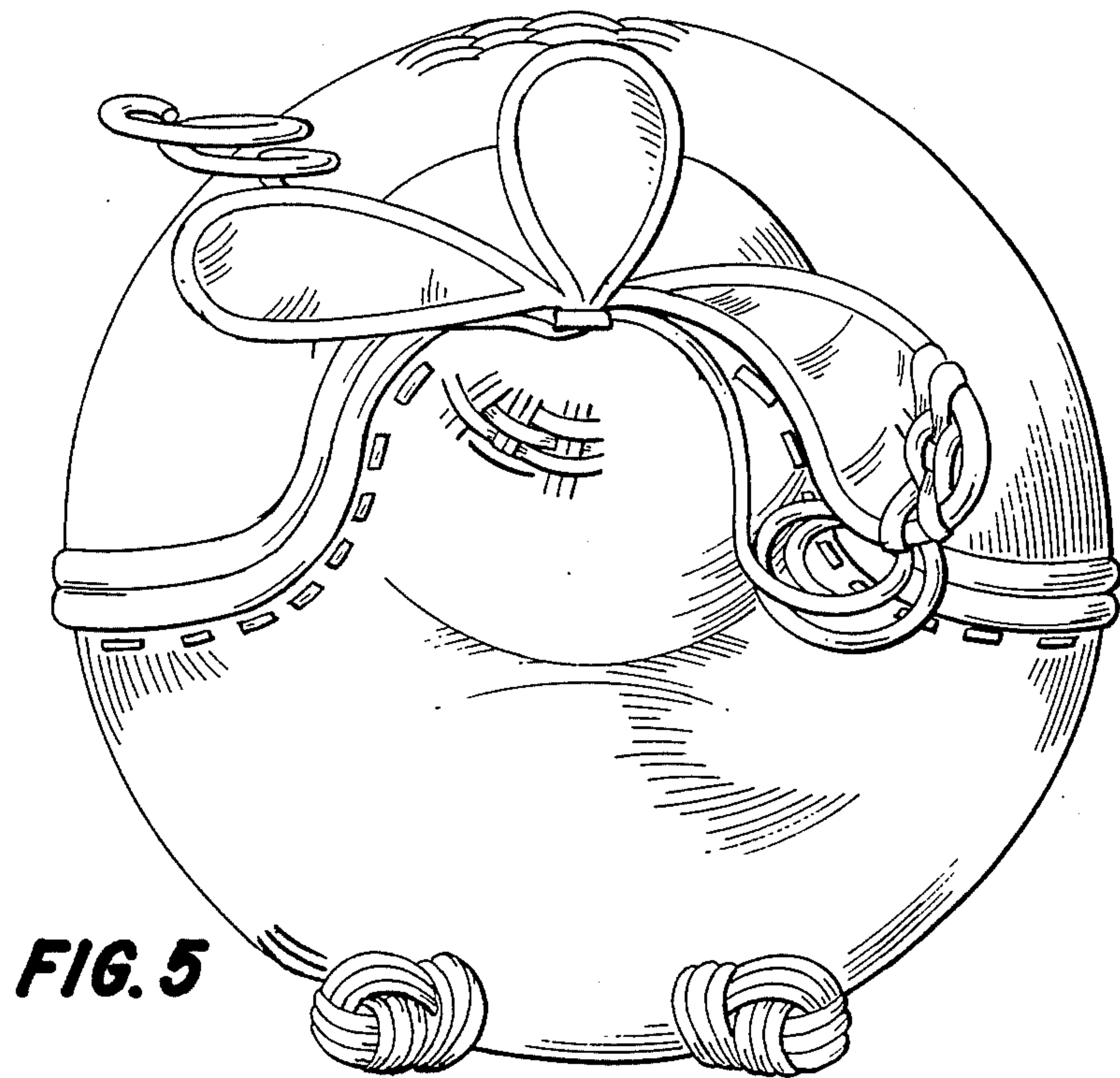
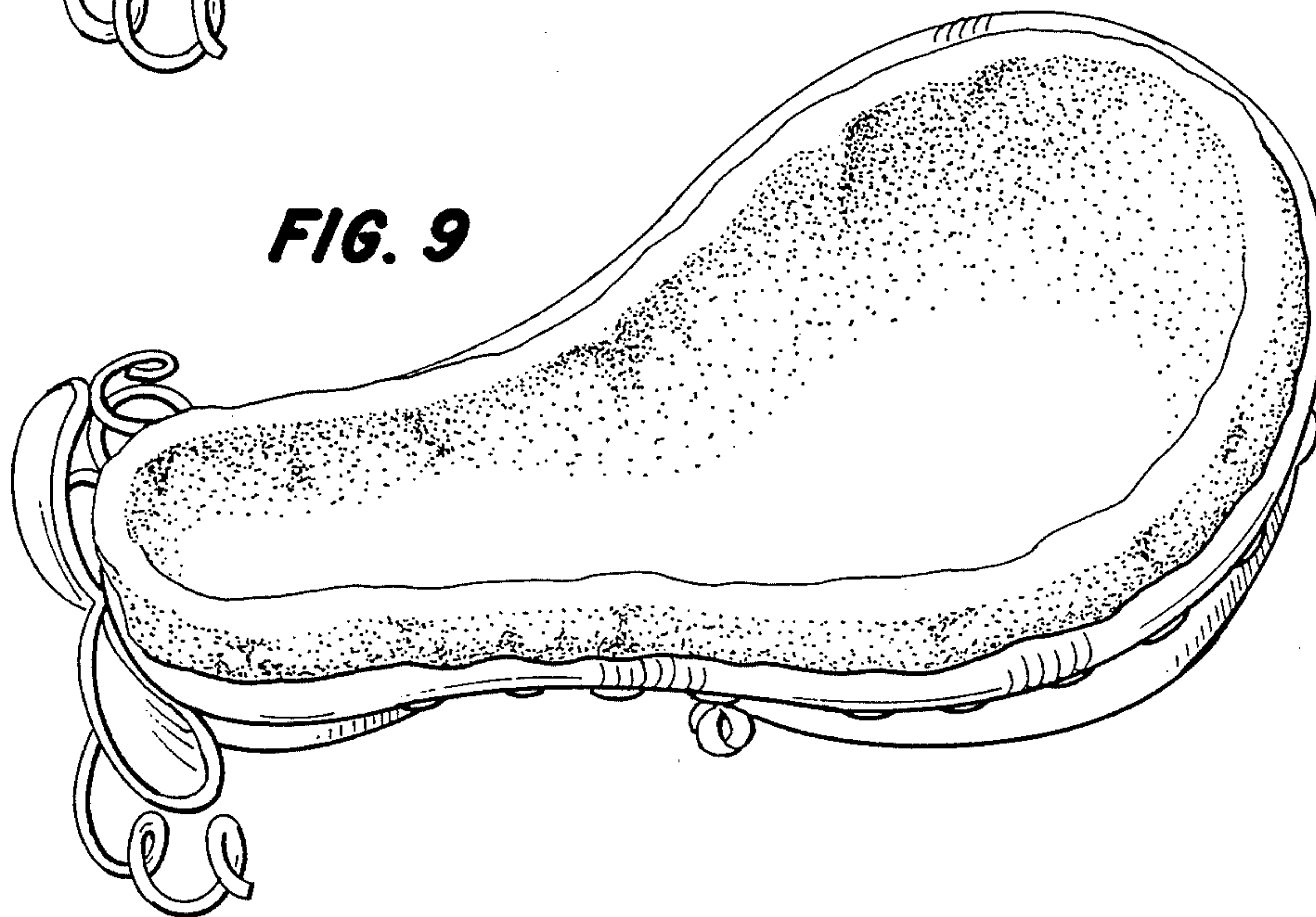
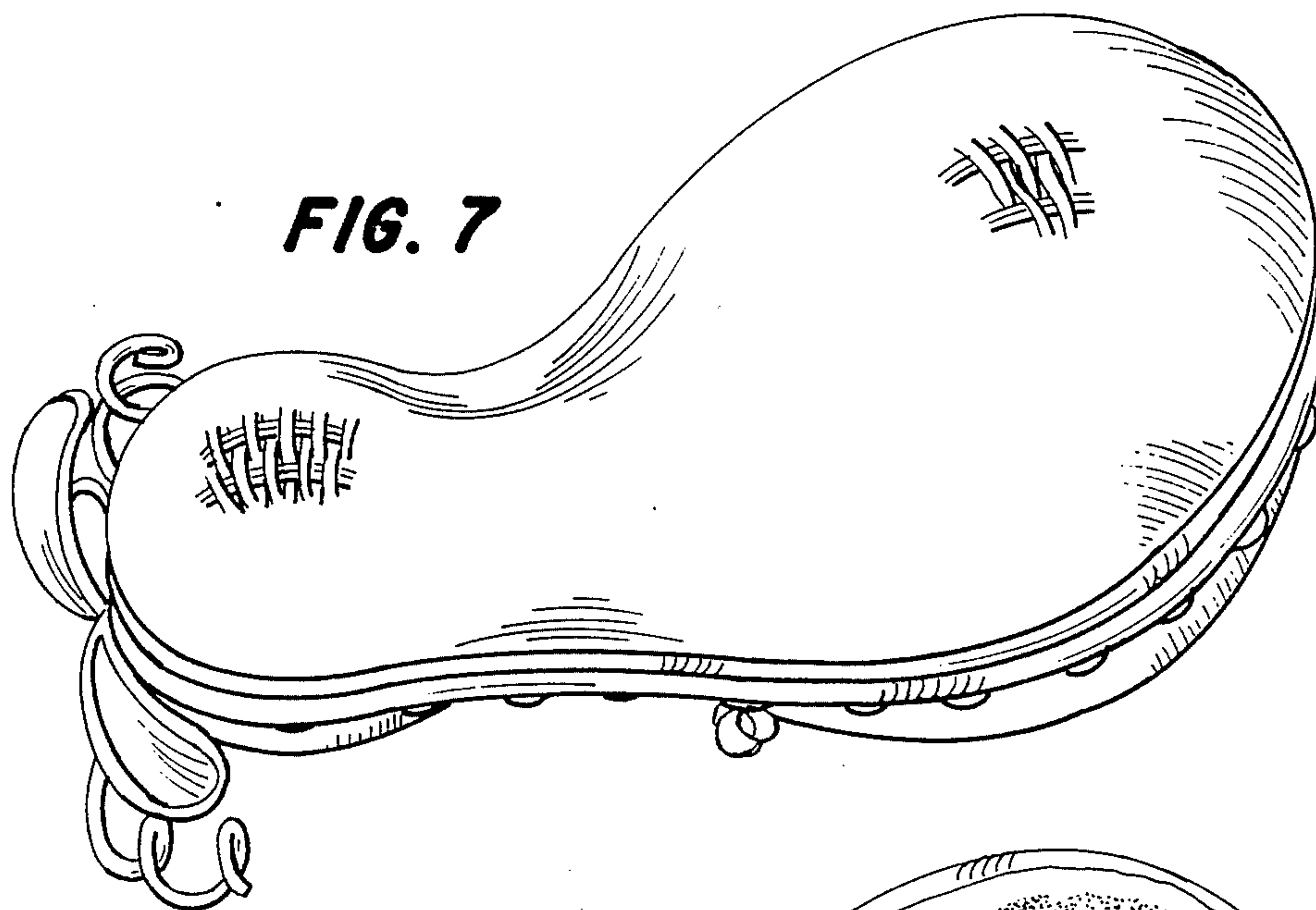


FIG. 4





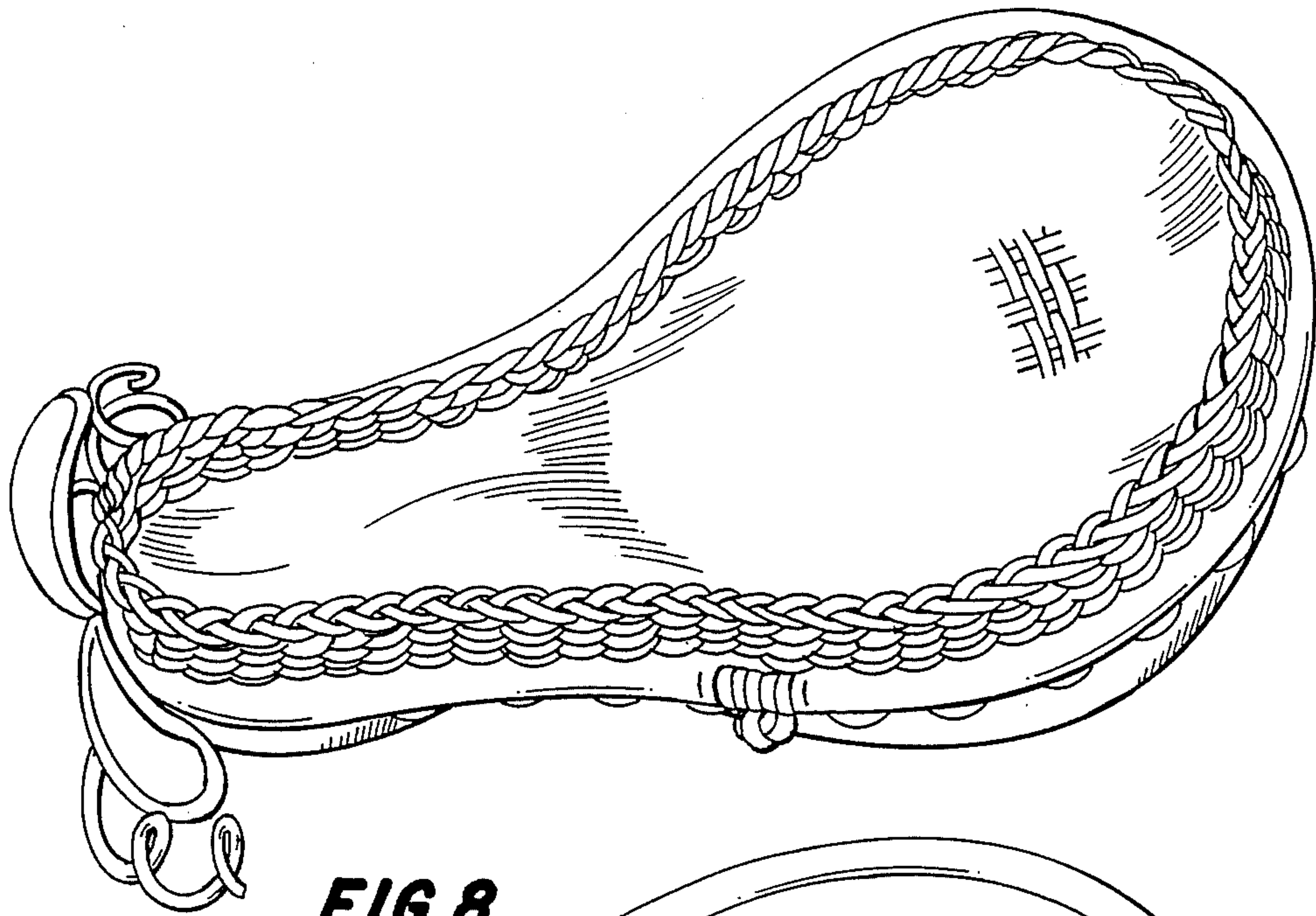


FIG. 8

