

[54] BUNK BED

[76] Inventor: Brent W. Zitting, 4271 S. Charles Dr., West Valley City, Utah 84120

[**] Term: 14 Years

[21] Appl. No.: 9,906

[22] Filed: Feb. 2, 1987

[52] U.S. Cl. D6/390

[58] Field of Search D6/390, 391, 411; D21/245, 244

[56] References Cited

U.S. PATENT DOCUMENTS

- D. 211,431 6/1968 Gelles D6/411
- D. 235,948 6/1975 Nerrie D6/411
- D. 269,484 6/1983 Thompson D6/390

OTHER PUBLICATIONS

Baby Line Catalog, p. 14, item 7045, upper right corner.

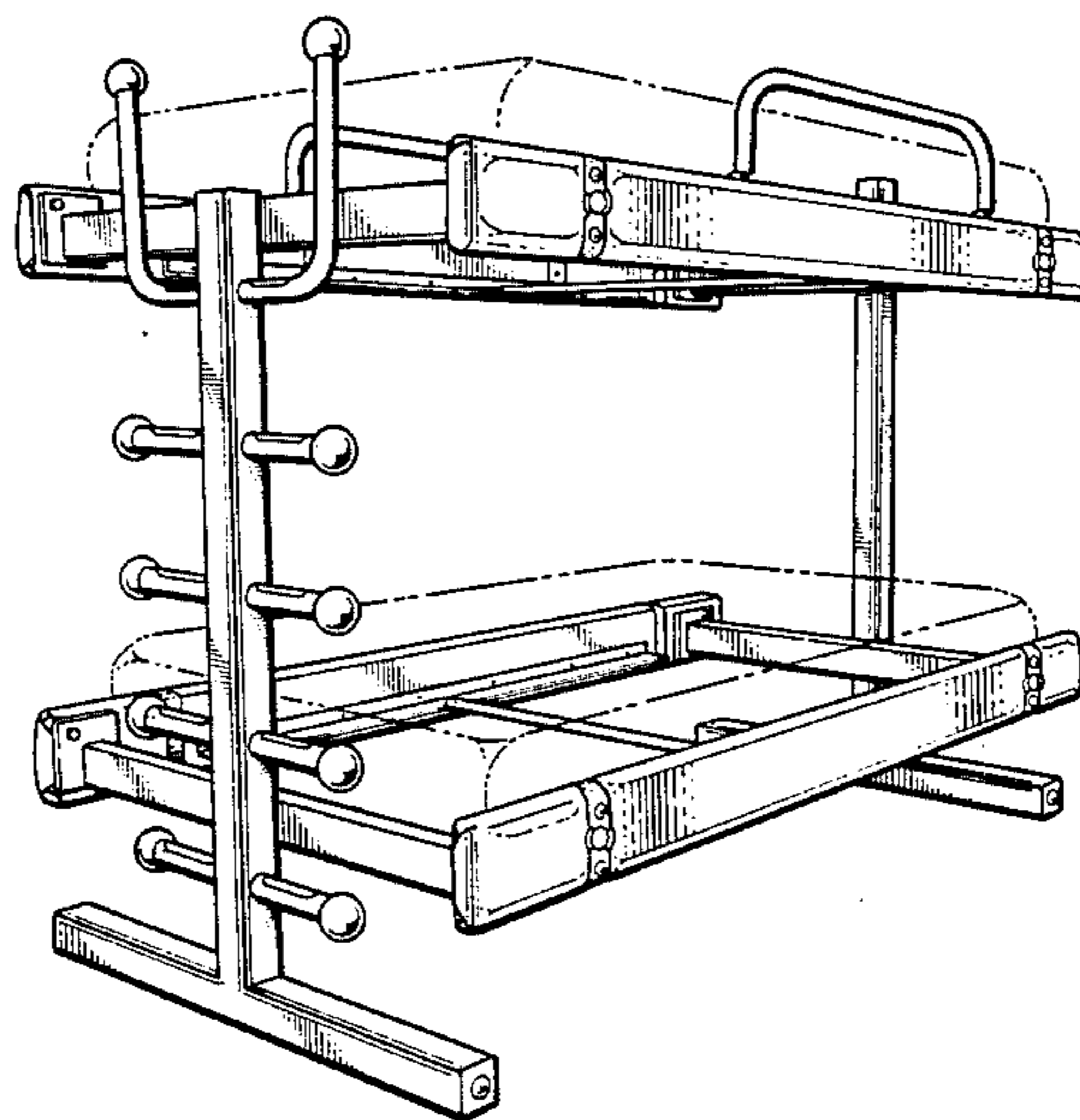
Primary Examiner—Bruce W. Dunkins
Assistant Examiner—Janice Seeger
Attorney, Agent, or Firm—Robert R. Mallinckrodt; Philip A. Mallinckrodt

[57] CLAIM

The ornamental design for a bunk bed, as shown and described.

DESCRIPTION

FIG. 1 is a perspective view of a bunk bed showing my new design;
FIG. 2 is a left end elevational view thereof;
FIG. 3 is a right end elevational view thereof;
FIG. 4 is a front elevational view thereof, the back being a mirror image thereof;
FIG. 5 is a top plan view thereof; and
FIG. 6 is a bottom plan view thereof.
The phantom representations of mattresses in the drawings are merely for the purpose of illustrating the environment in which the invention is used, and do not form part of the new design.



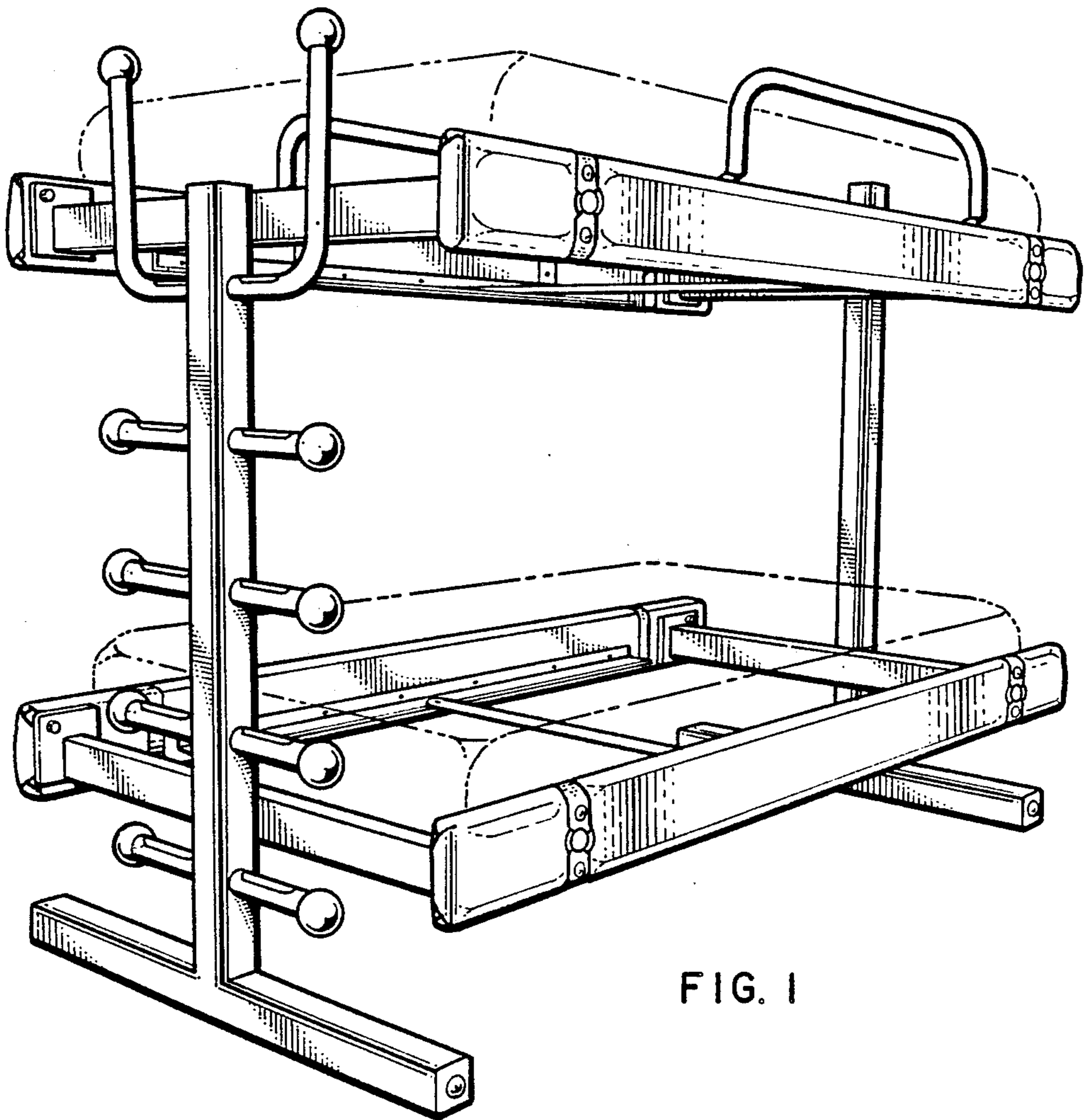


FIG. 1

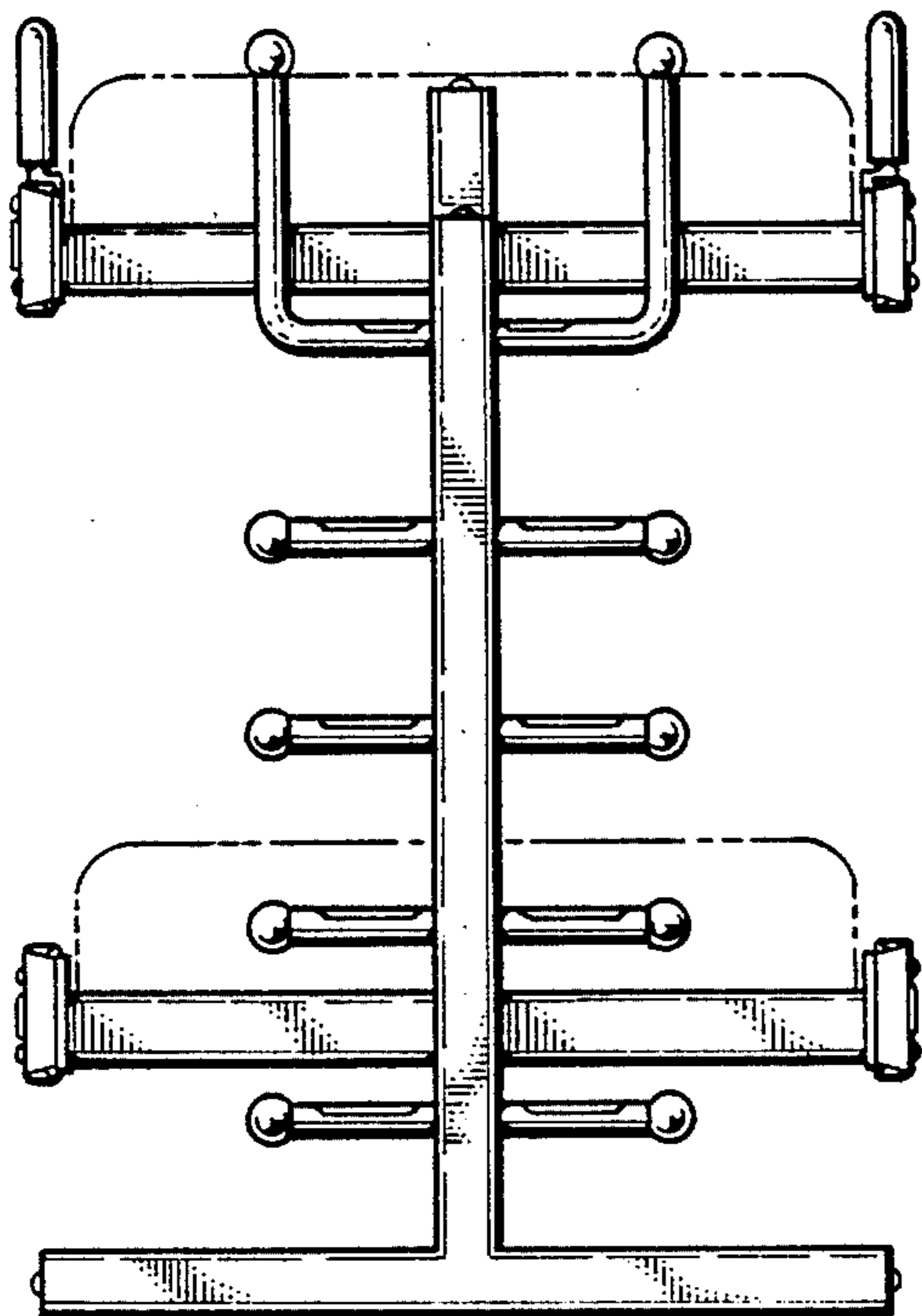


FIG. 2

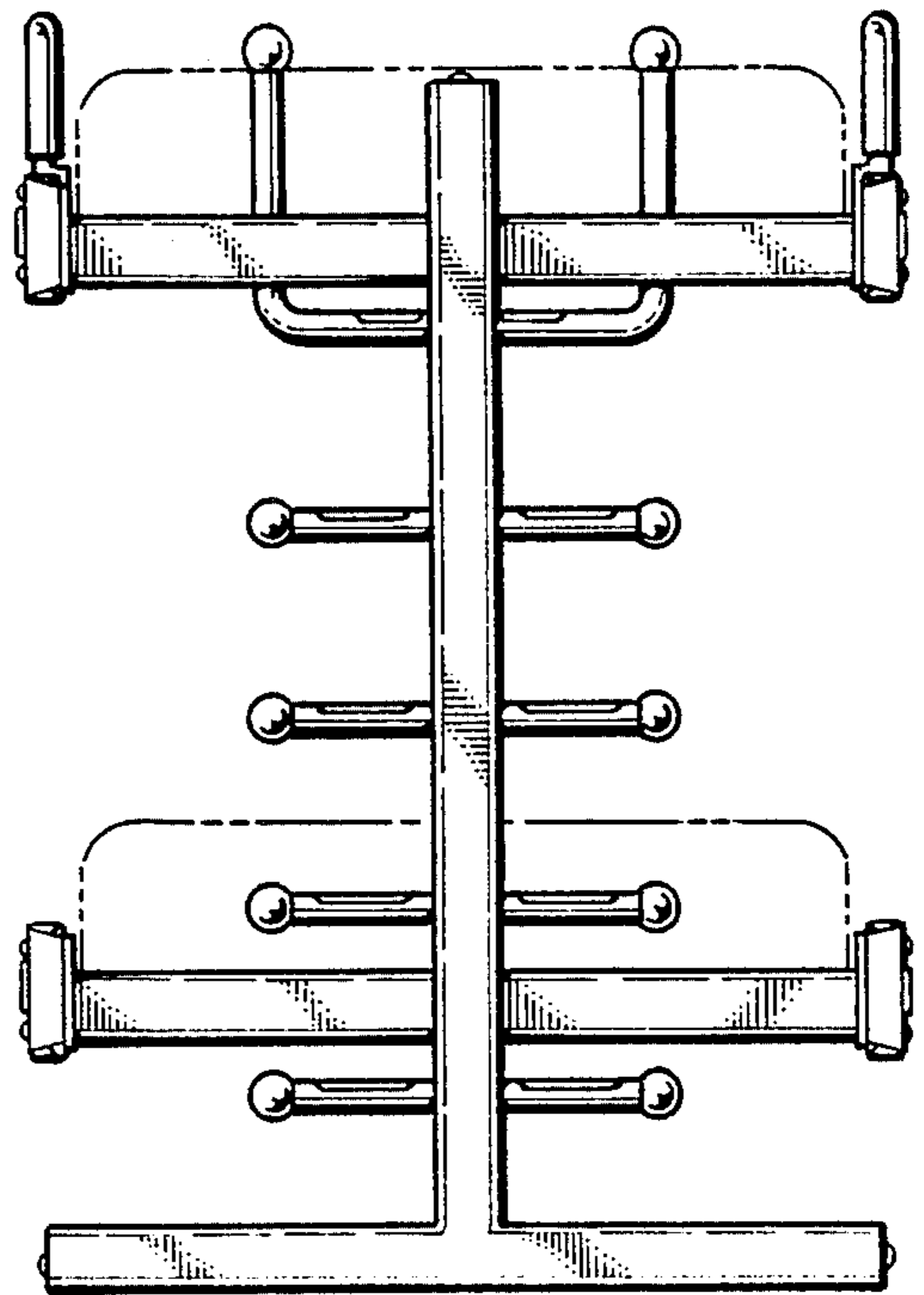


FIG. 3

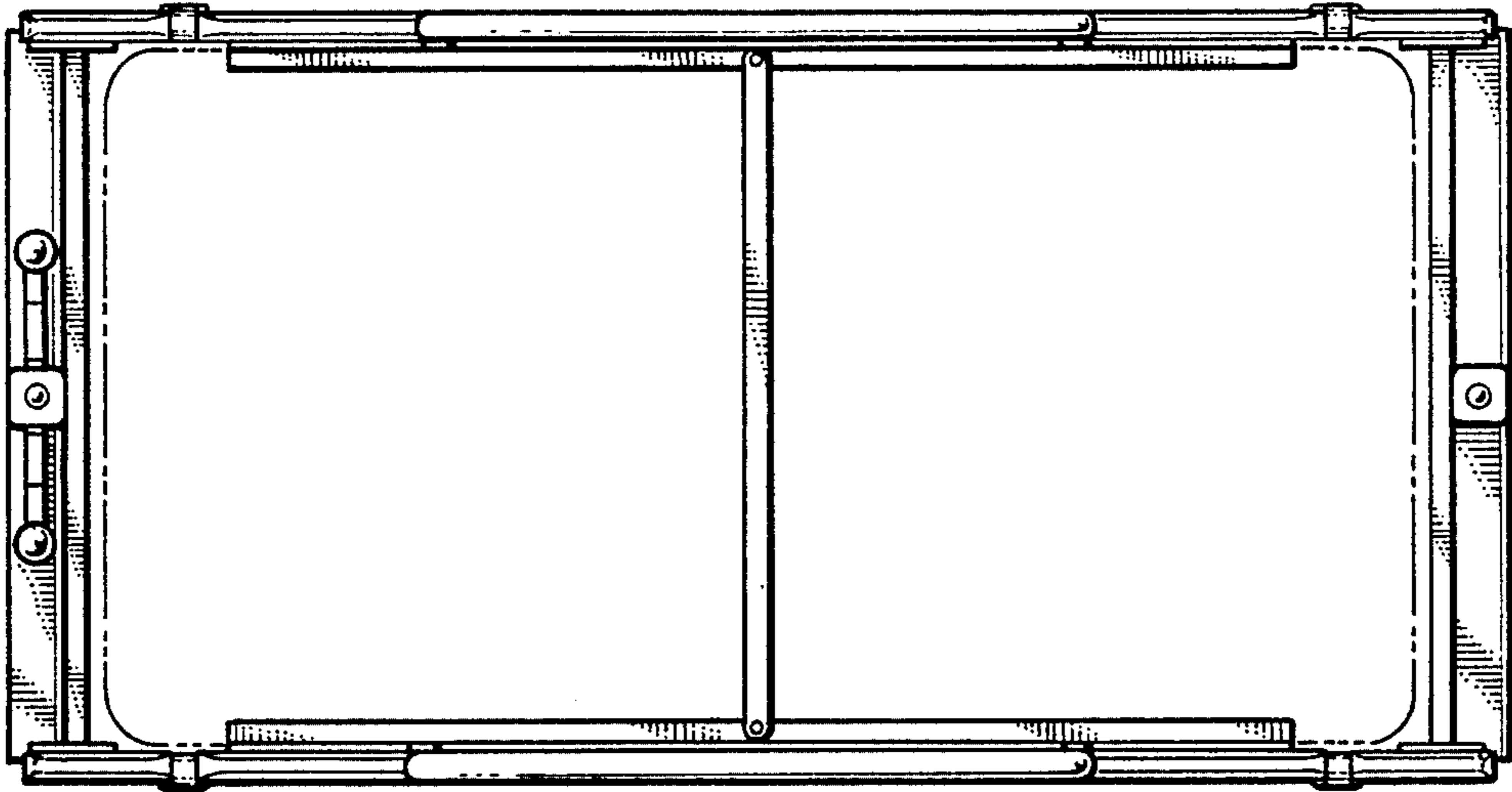


FIG. 5

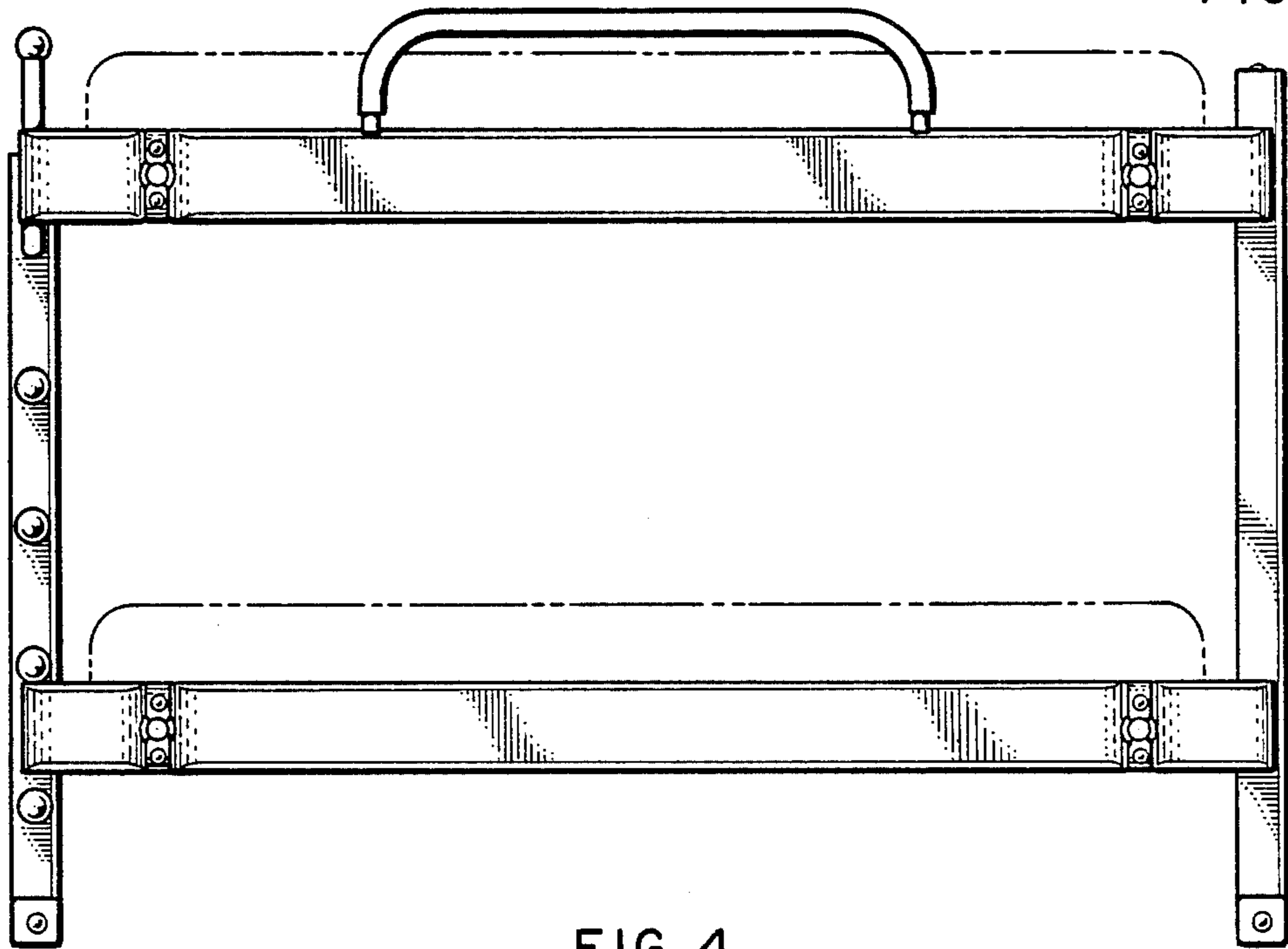


FIG. 4

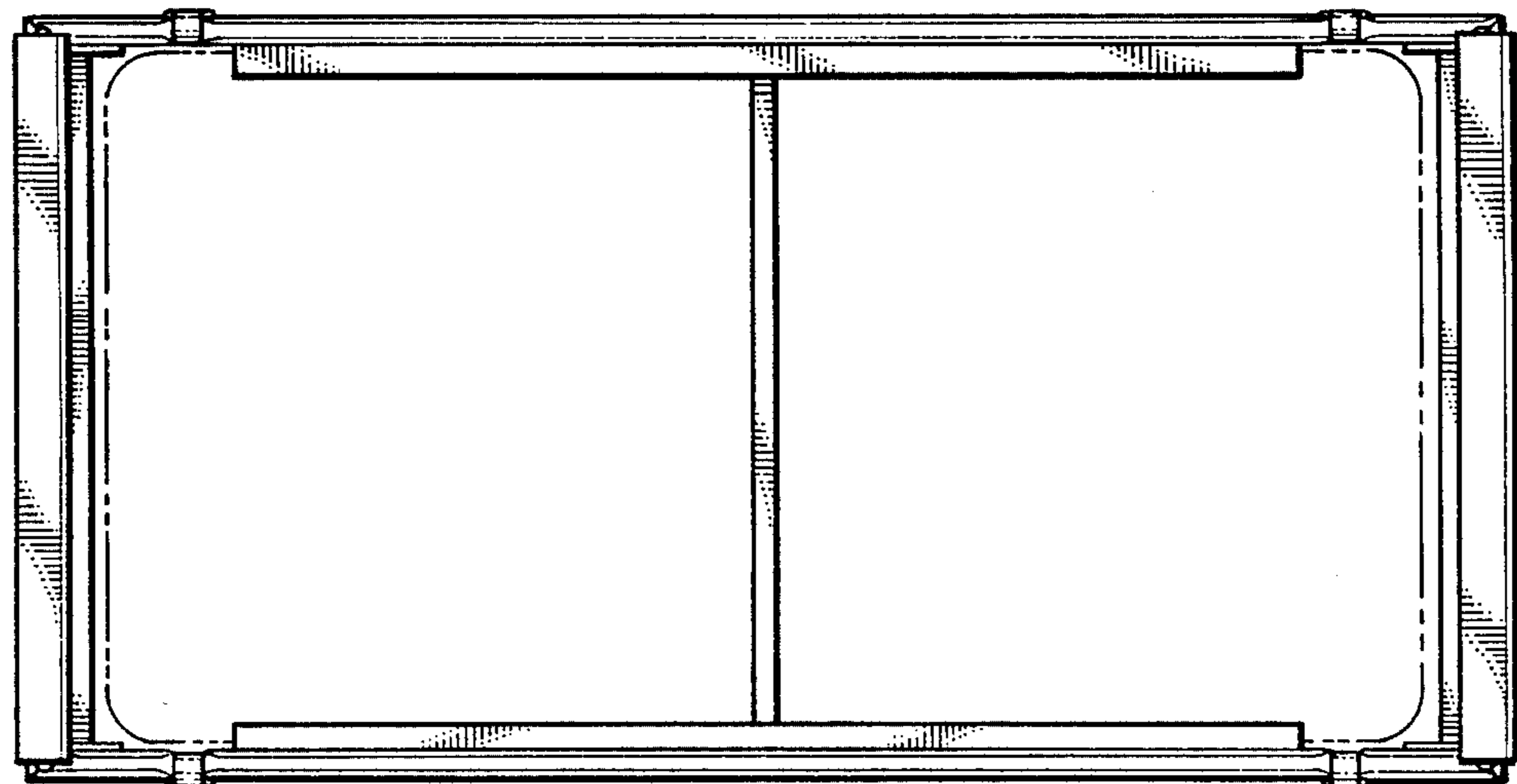


FIG. 6