

[54] COMBINED CONTAINER WITH MINERALS AND LETTER OPENER

[76] Inventor: Gordon D. Britz, 2518 Kilpatrick Ct., San Ramon, Calif. 94853

[\*\*] Term: 14 Years

[21] Appl. No.: 125,072

[22] Filed: Nov. 25, 1987

[52] U.S. Cl. .... D8/104; D9/432

[58] Field of Search ..... D8/102-104, D8/33, 40, 41, 98, 99; D9/432; D3/18; 81/3, 48; 30/DIG. 3; 83/912

[56] References Cited

U.S. PATENT DOCUMENTS

- D. 242,022 10/1976 Bish ..... D9/432
- D. 286,734 11/1986 Fuizman ..... D8/41

Primary Examiner—Bernard Ansher  
Assistant Examiner—Terry A. Pfeffer  
Attorney, Agent, or Firm—Thomas M. Freiburger

[57] CLAIM

The ornamental design for a combined container with minerals and letter opener, as shown and described.

DESCRIPTION

FIG. 1 is a perspective view of a combined container with minerals and letter opener showing my new design;  
 FIG. 2 is a front elevational view thereof;  
 FIG. 3 is a rear elevational view thereof;  
 FIG. 4 is a top plan view thereof;  
 FIG. 5 is a left side elevation view thereof;  
 FIG. 6 is a bottom plan view thereof;  
 FIG. 7 is a right side elevation view thereof;  
 FIG. 8 is a perspective view thereof of a second embodiment of that shown in FIG. 1;  
 FIG. 9 is a front elevational view thereof;  
 FIG. 10 is a rear elevational view thereof;  
 FIG. 11 is a top plan view thereof;  
 FIG. 12 is a left side elevation view thereof;  
 FIG. 13 is a bottom plan view thereof; and  
 FIG. 14 is a right side elevation view thereof.

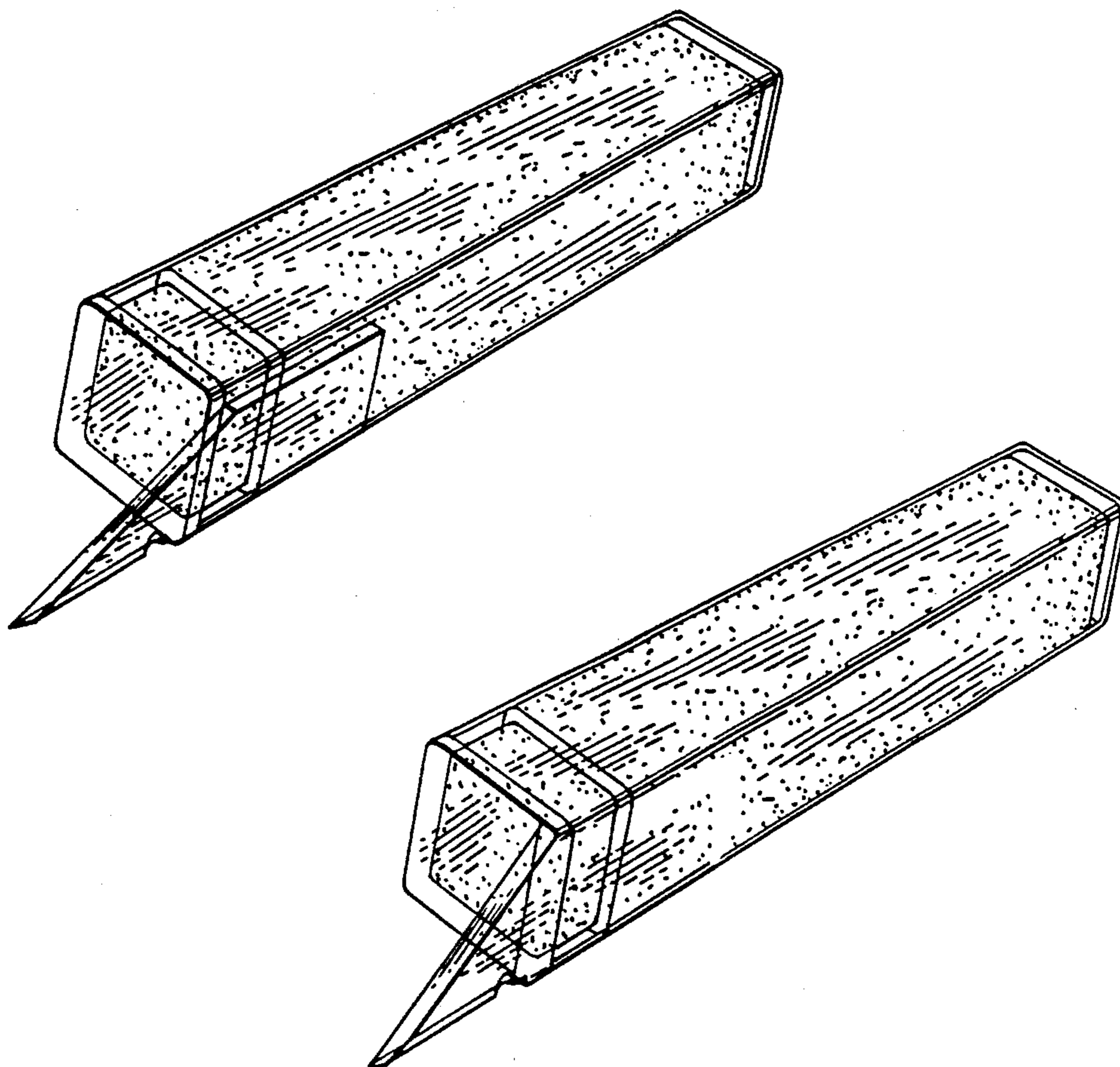


FIG. 1

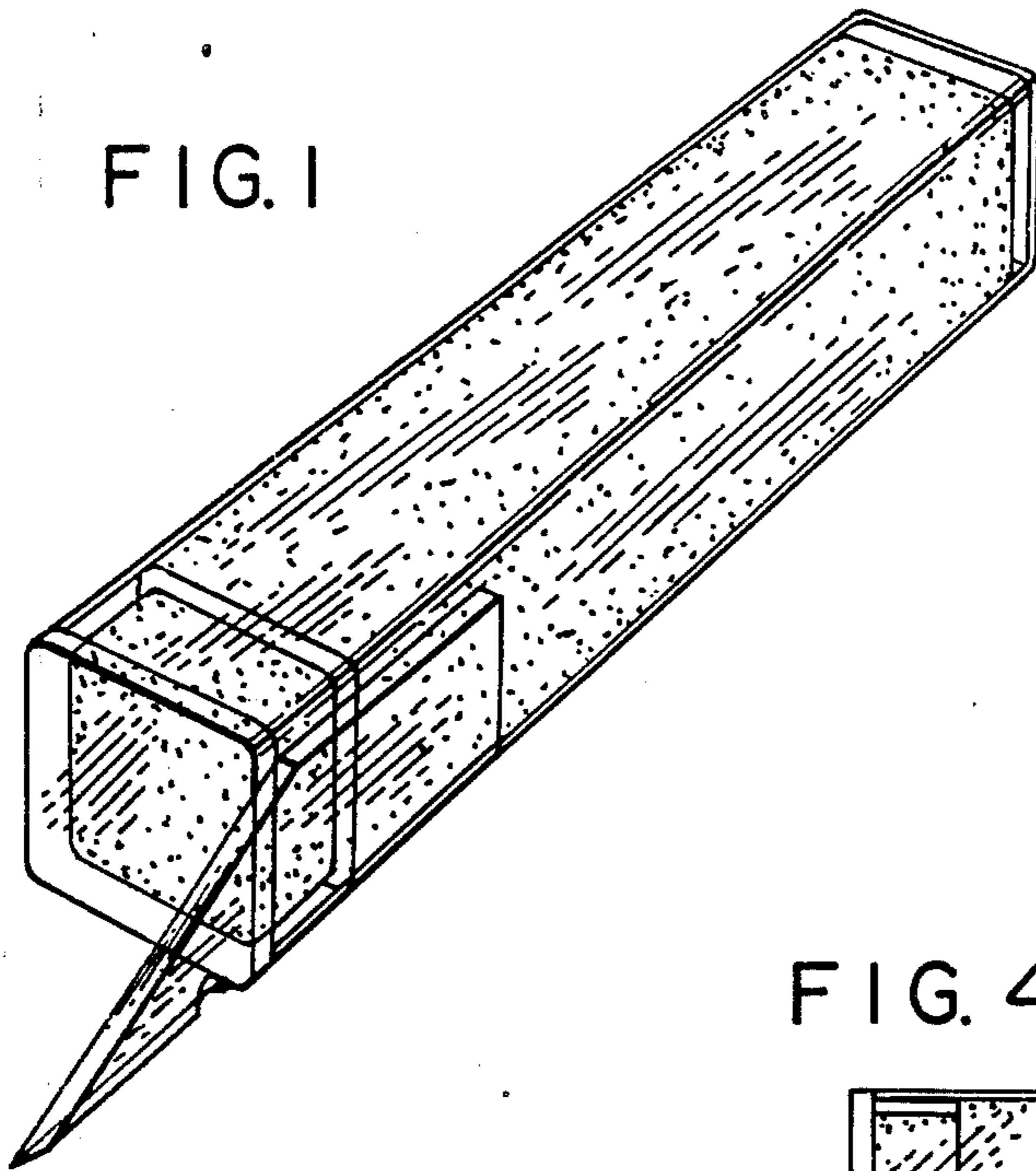


FIG. 2

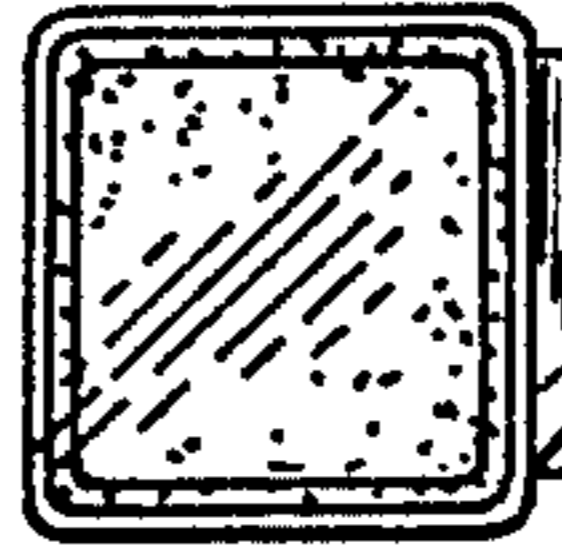


FIG. 3

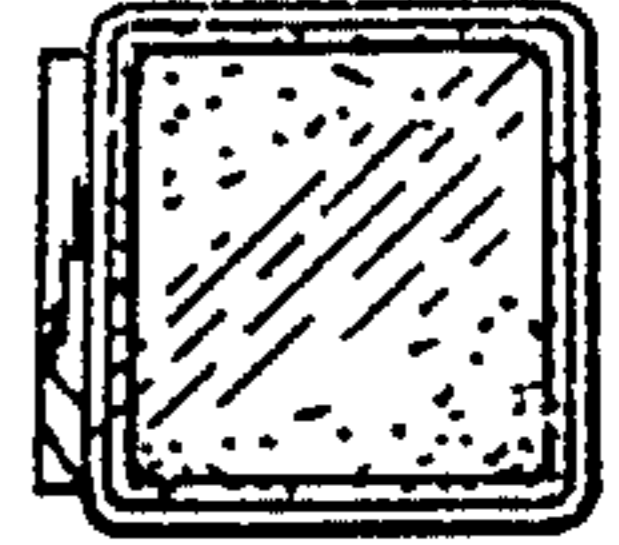


FIG. 4

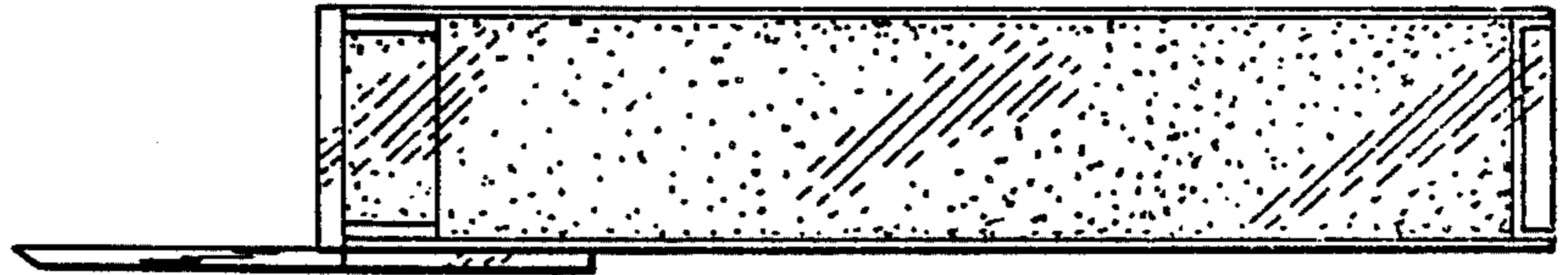


FIG. 5

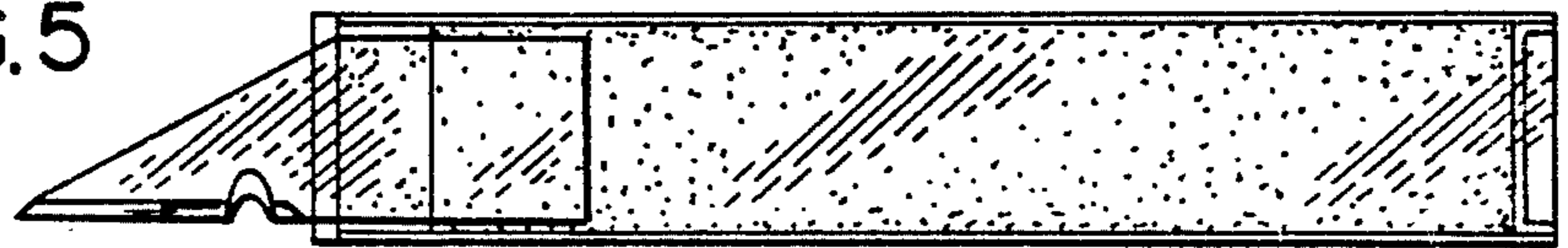


FIG. 6

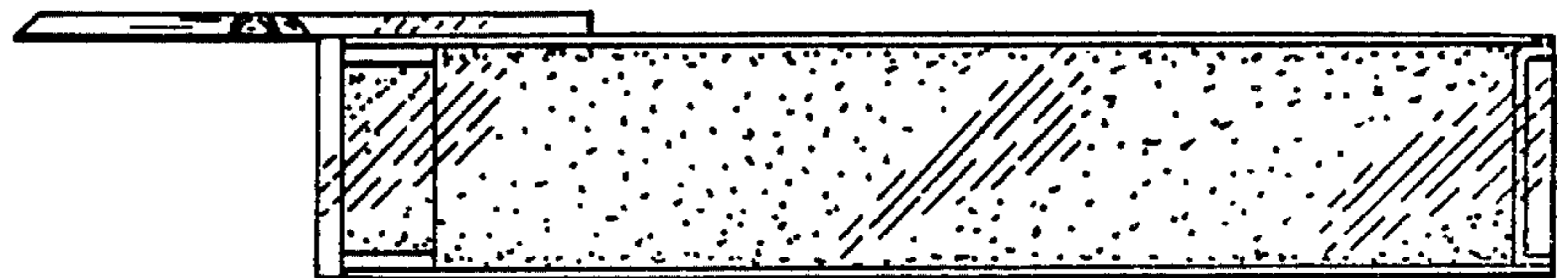


FIG. 7





FIG. 8

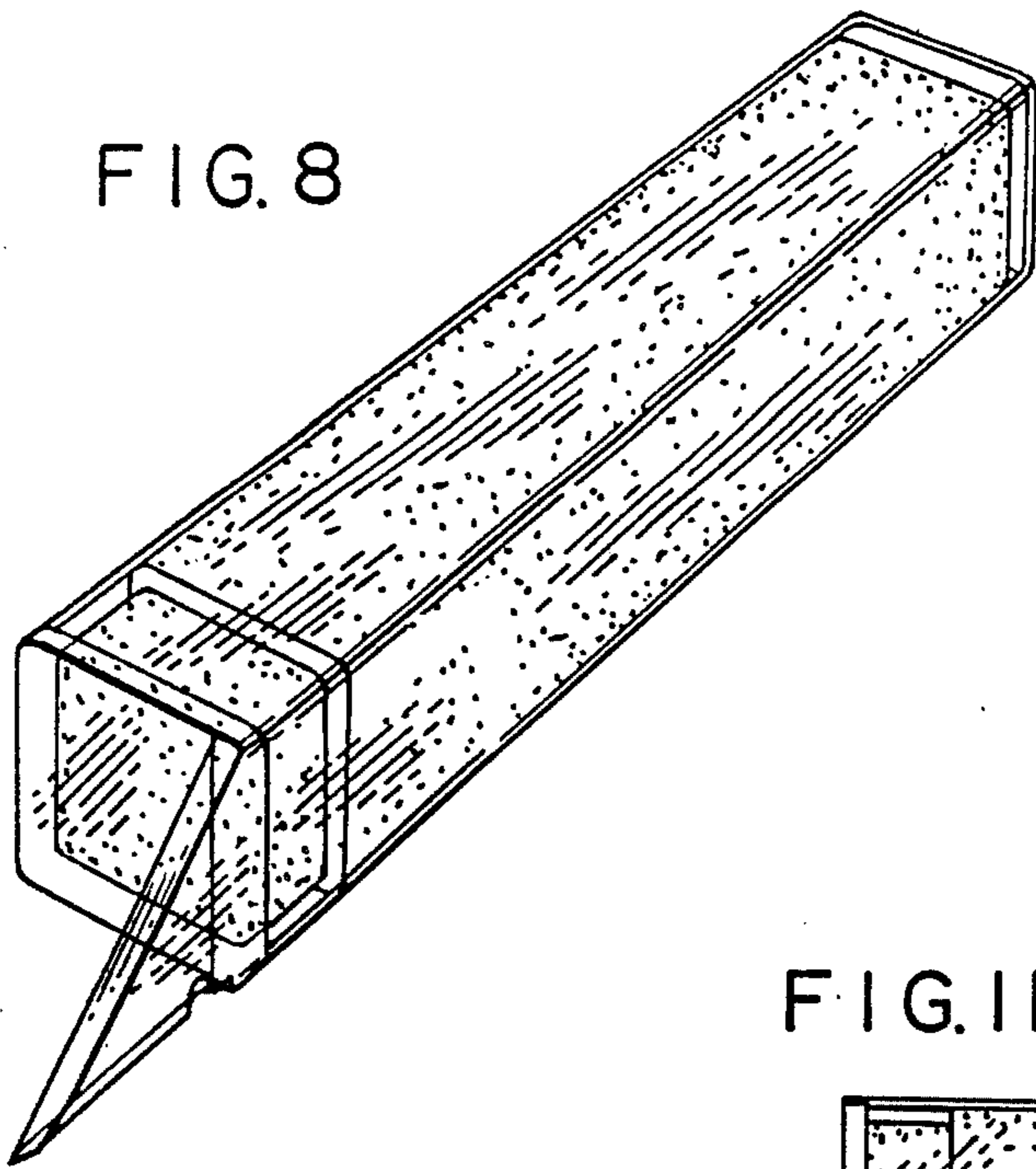


FIG. 9



FIG. 10



FIG. 11

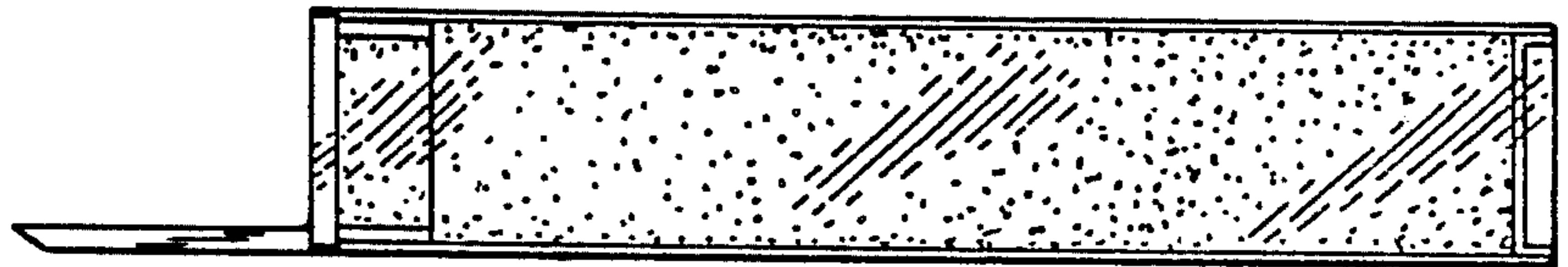


FIG. 12

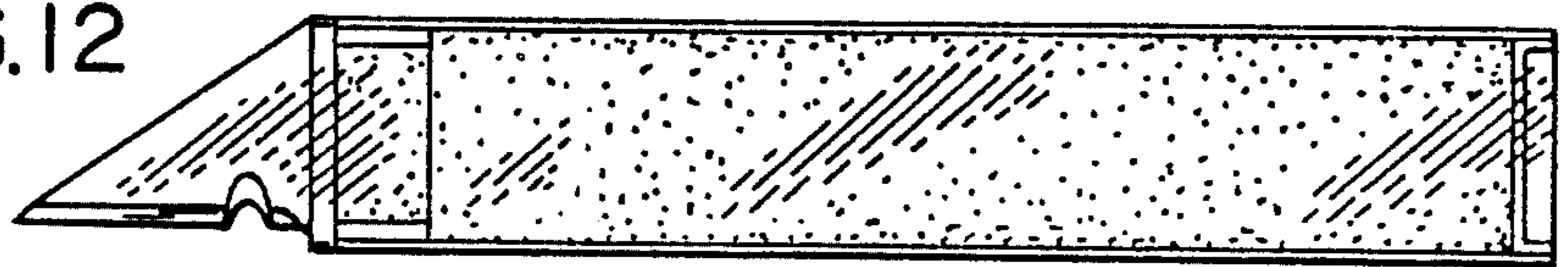


FIG. 13

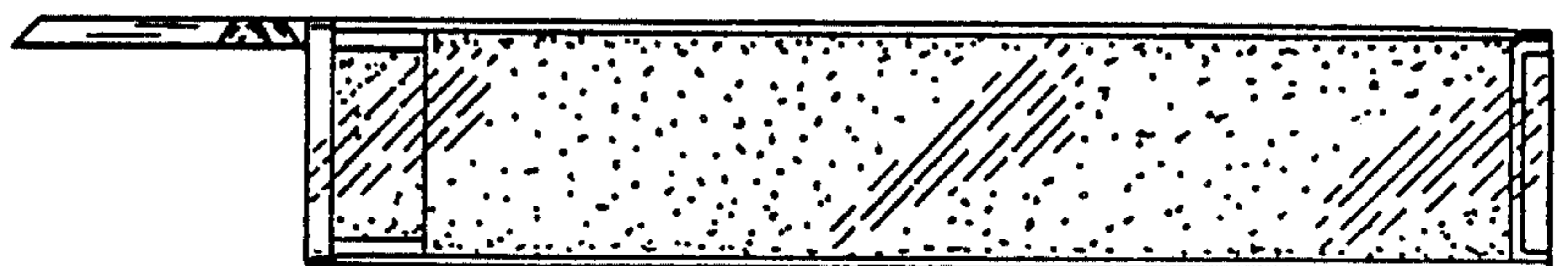


FIG. 14

