

United States Patent [19]

Ancona et al.

[11] Patent Number: Des. 309,412

[45] Date of Patent: ** Jul. 24, 1990

[54] **STAPLE REMOVER**

[75] Inventors: **Jane Ancona; Bruce Ancona**, both of New York, N.Y.

[73] Assignee: **M. Kamenstein, Inc.**, White Plains, N.Y.

[**] Term: **14 Years**

[21] Appl. No.: **303,560**

[22] Filed: **Jan. 27, 1989**

[52] U.S. Cl. **D8/48**

[58] Field of Search **D8/48; 254/28, 23-24**

[56] **References Cited**

U.S. PATENT DOCUMENTS

- D. 132,578 5/1942 Nyberg .
- D. 151,857 11/1948 Pankonin .
- D. 157,995 4/1950 Pankonin .
- D. 157,997 4/1950 Pankonin .
- D. 157,998 4/1950 Pankonin .
- D. 158,608 5/1950 Pankonin .
- D. 181,227 10/1957 Pankonin .
- D. 181,229 10/1957 Pankonin .

- D. 190,535 6/1961 Bacevius .
- D. 201,729 7/1965 Thurman .
- D. 281,662 12/1985 Augustin .
- 2,776,109 1/1957 Segal .
- 2,940,727 6/1960 Segal .
- 3,761,057 9/1973 Nembhard .
- 4,776,567 10/1988 Strickland .

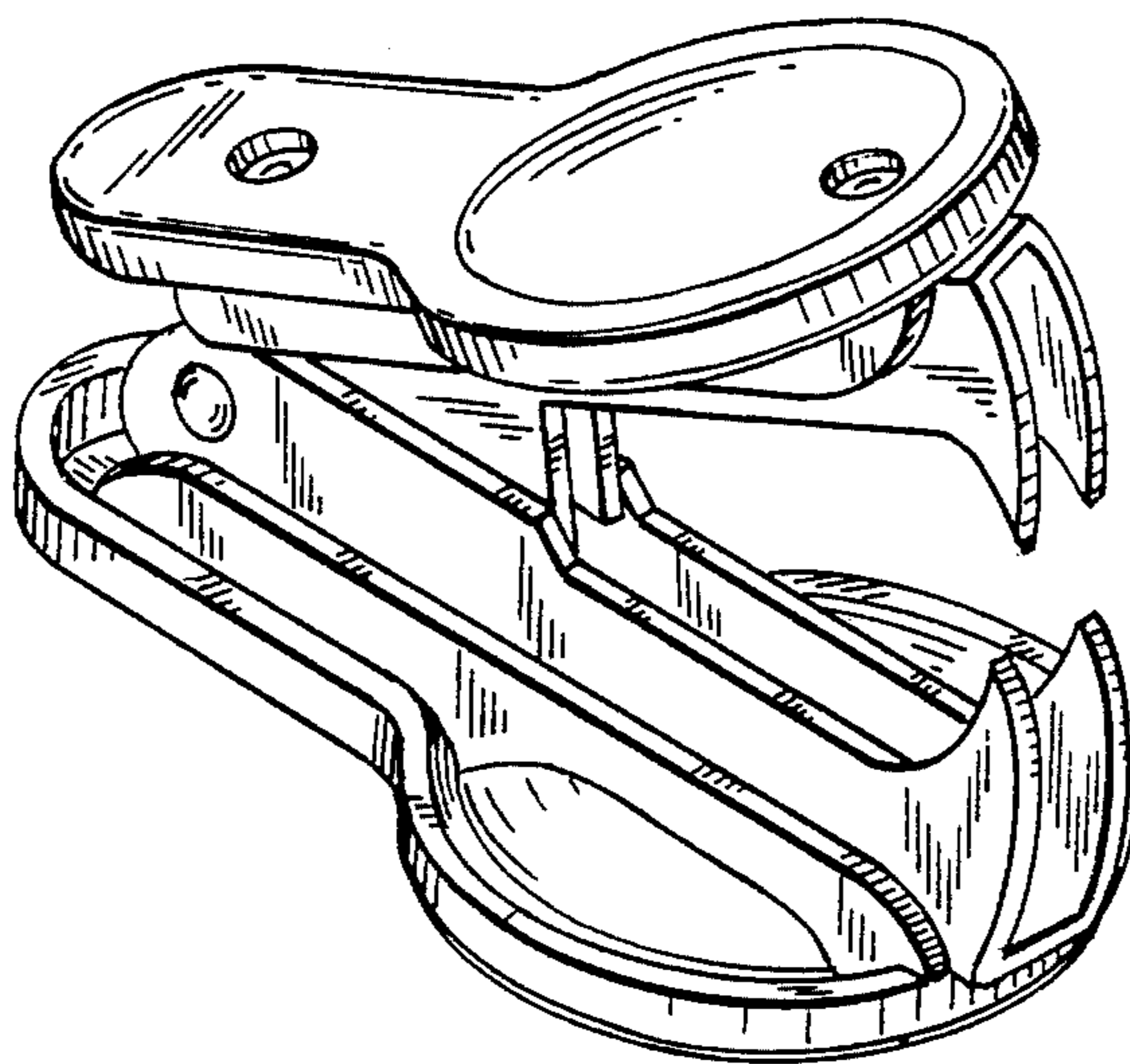
Primary Examiner—Bernard Ansher
Assistant Examiner—Terry A. Pfeffer
Attorney, Agent, or Firm—Henry R. Lerner

[57] **CLAIM**

The ornamental design for a staple remover, as shown and described.

DESCRIPTION

FIG. 1 is a perspective view of a staple remover showing our new design;
FIG. 2 is a front elevational view thereof;
FIG. 3 is a top plan view thereof;
FIG. 4 is a right side elevational view thereof, the opposite side being a mirror image;
FIG. 5 is a rear elevational view thereof; and
FIG. 6 is a bottom plan view thereof.



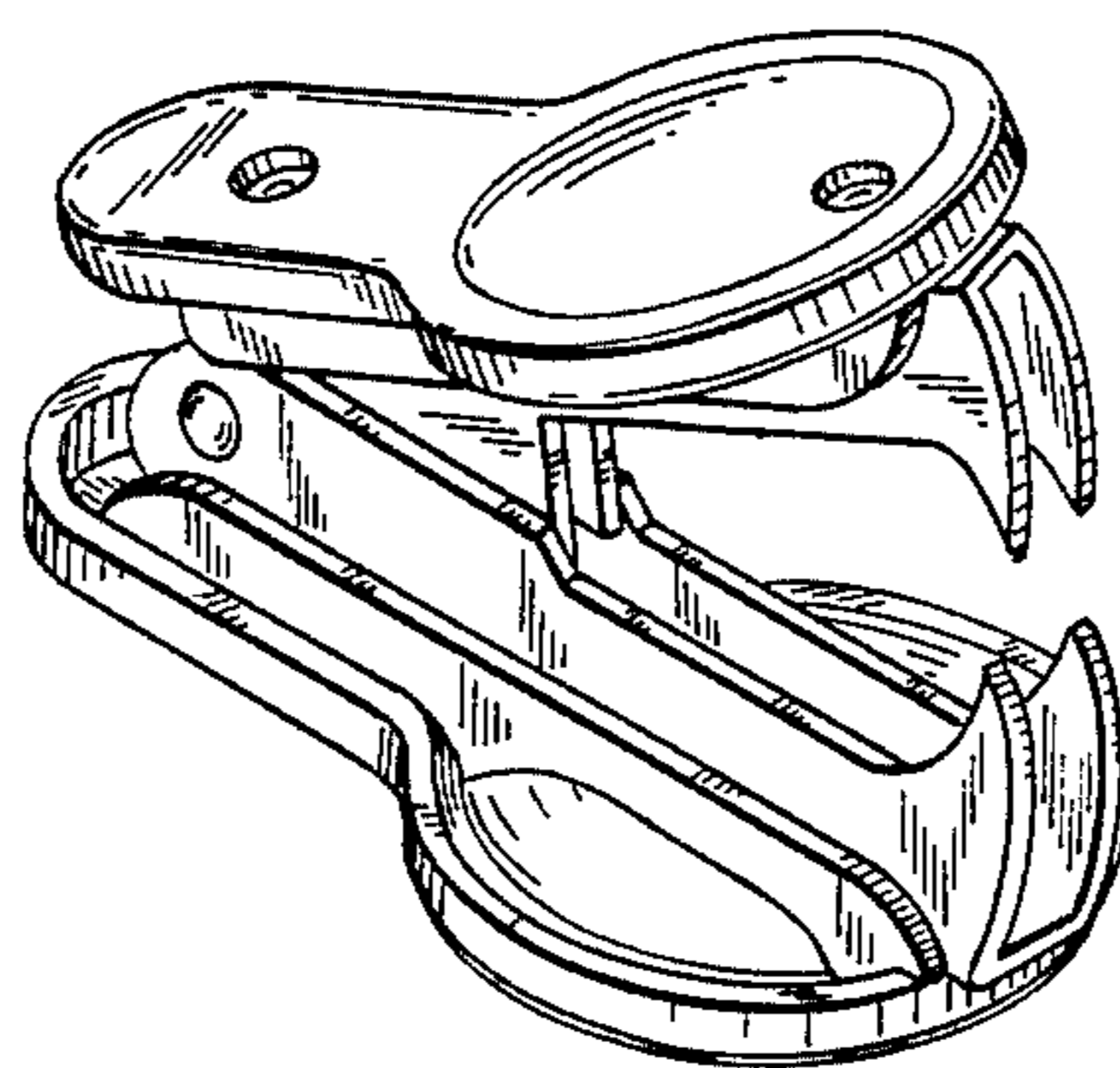


FIG. 1

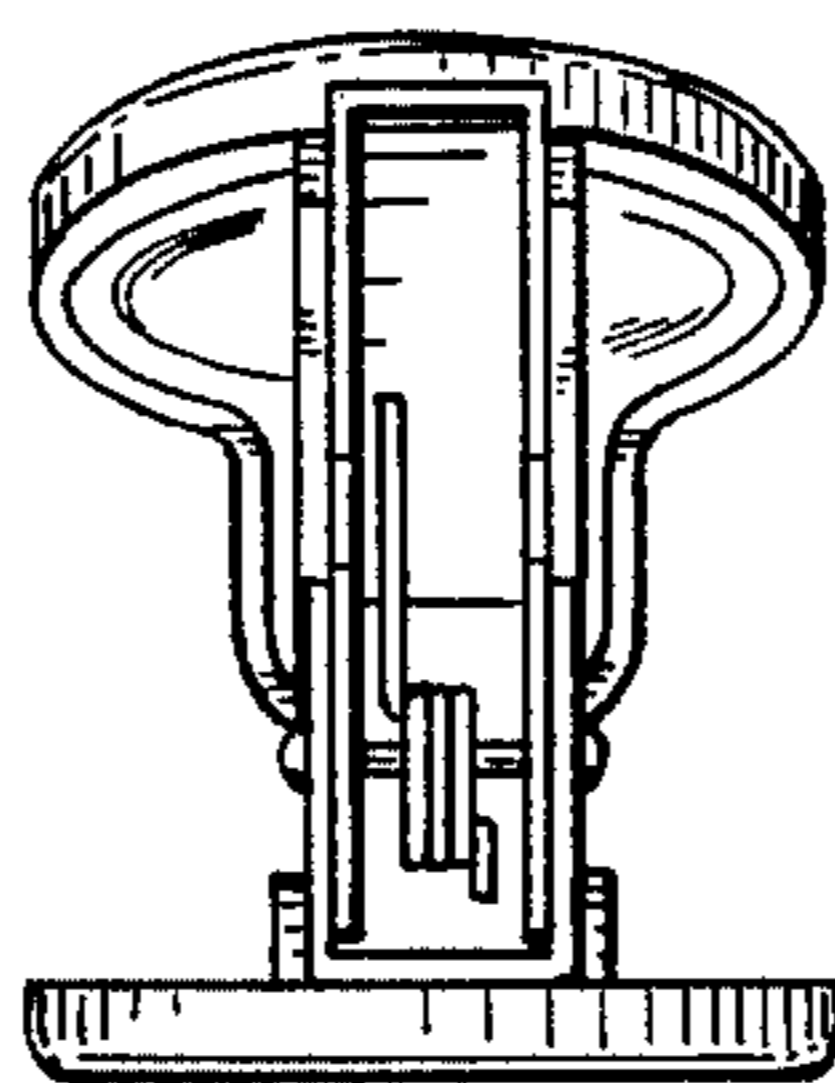


FIG. 2

FIG. 3

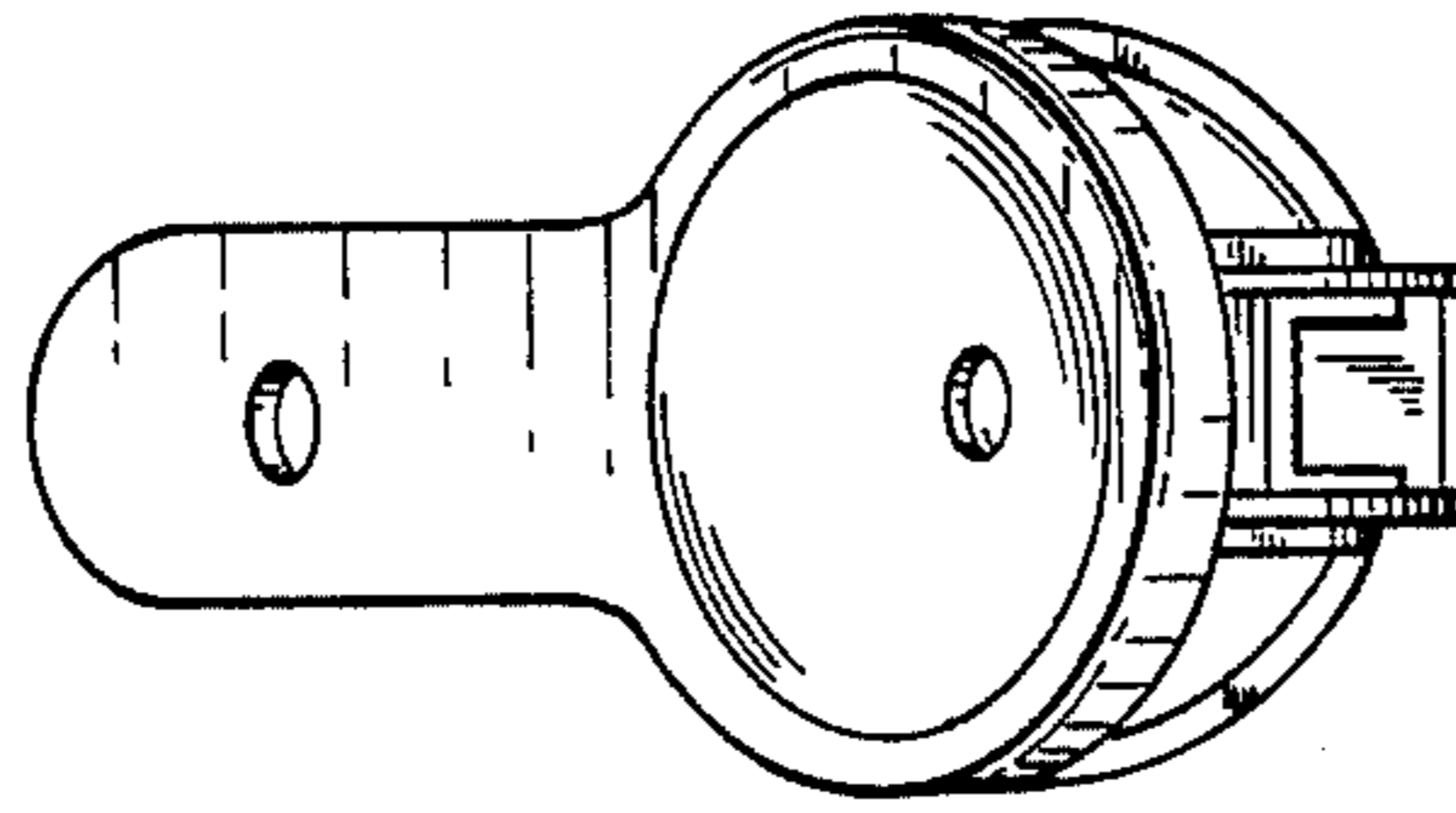


FIG. 4

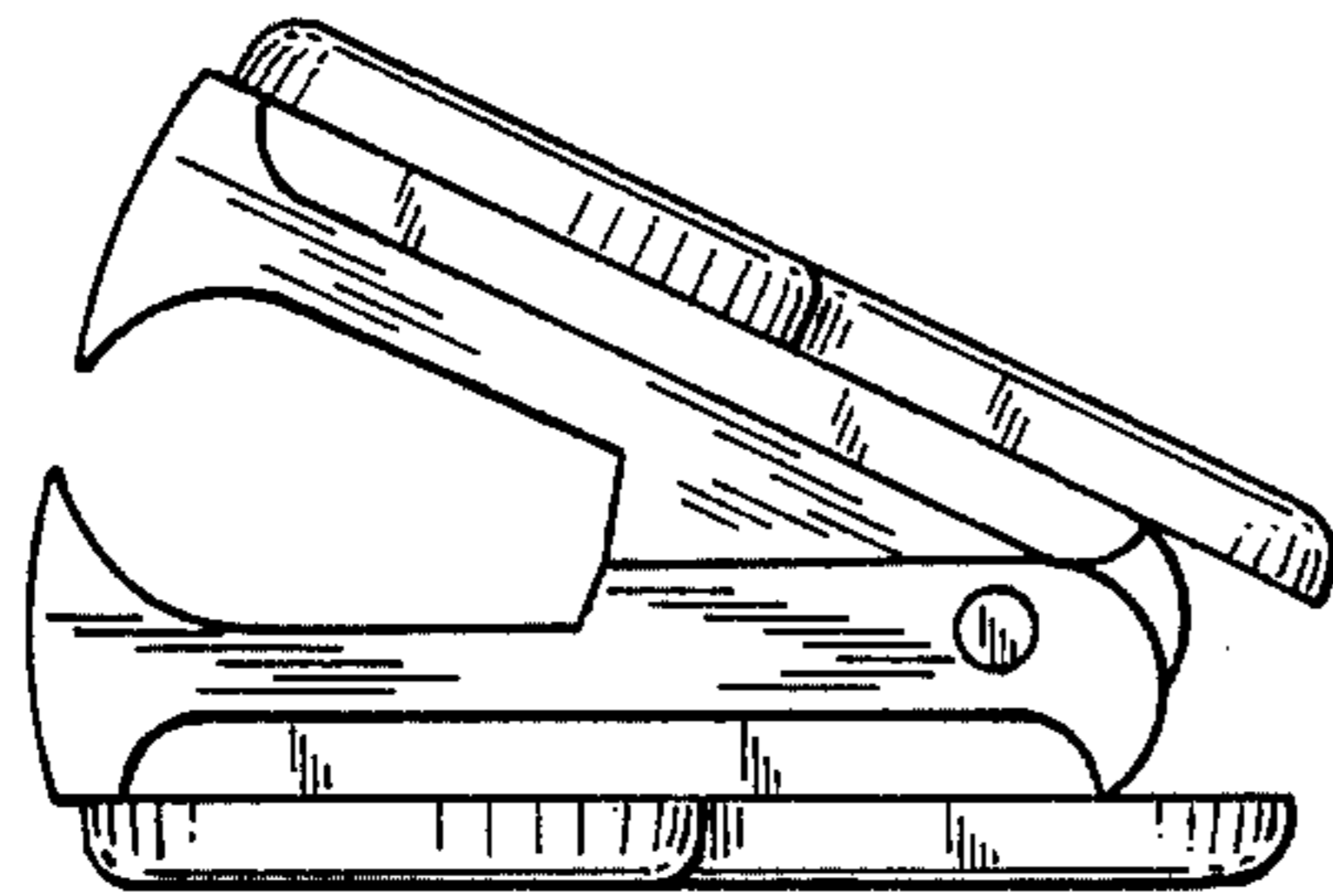


FIG. 5

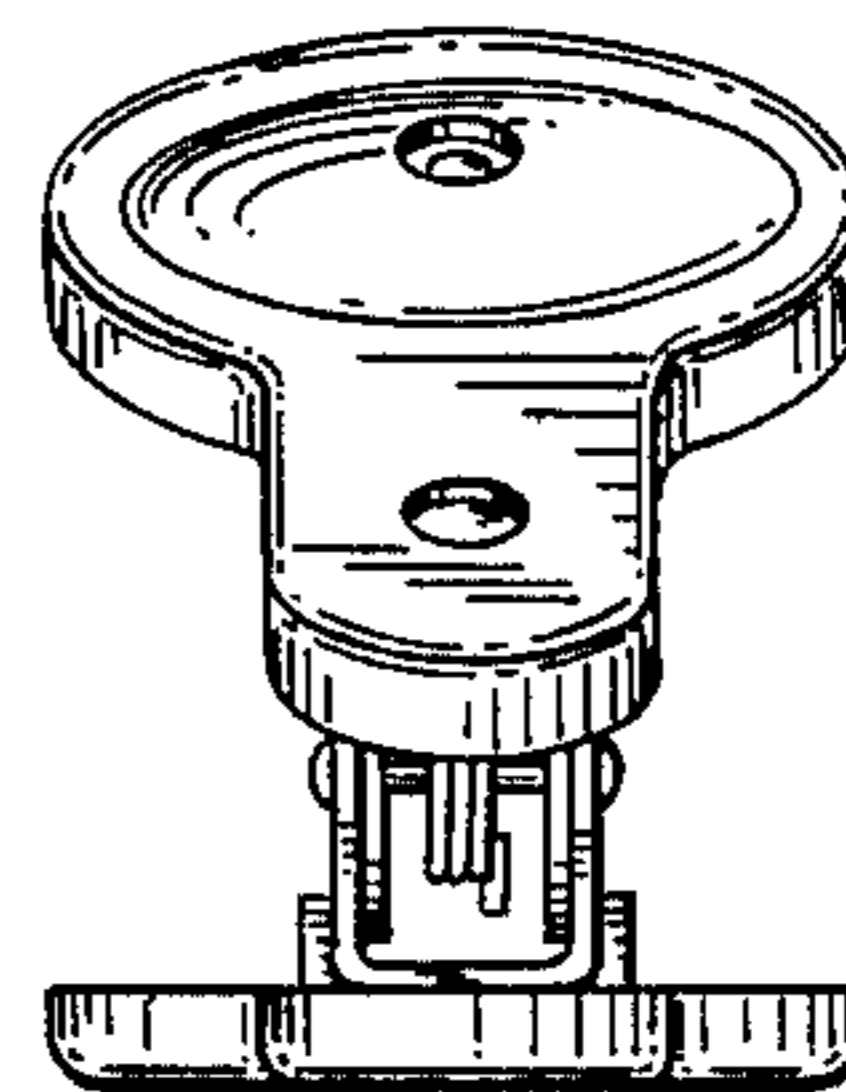


FIG. 6

