

[54] PAIR OF TOOL HANDLES

[75] Inventor: Vincent J. Kiernan, Hudson, Ohio

[73] Assignee: Bares Group, Chagrin Falls, Ohio

[**] Term: 14 Years

[21] Appl. No.: 174,017

[22] Filed: Mar. 28, 1988

[52] U.S. Cl. D8/4; D8/107

[58] Field of Search D8/4-5, D8/7, 82-83, 107, 300-301, 303, 307; 16/110 R, 110 A, 110 S; 30/340-344, 257

[56] References Cited

U.S. PATENT DOCUMENTS

- D. 198,197 5/1964 Utz et al. D8/303
- D. 206,483 12/1966 Sharp D8/5
- D. 208,994 10/1967 Anderson D8/1
- D. 258,040 1/1981 Irelan D8/5
- D. 288,400 2/1987 Vosbikian D8/1
- 3,122,774 3/1964 Lamb 16/110 R
- 3,566,467 3/1971 Keiser, Jr. 30/257

OTHER PUBLICATIONS

Waldes Kohinoor, Inc., Catalogue (udated) pp. 106-109, Plier Handles.

Primary Examiner—Wallace R. Burke

Assistant Examiner—Brian N. Vinson

[57] CLAIM

The ornamental design for a pair of tool handles, as shown and described.

DESCRIPTION

FIG. 1 is a top plan view of a pair of tool handles showing my new design, the rear being a mirror image of that shown;

FIG. 2 is a side elevational view thereof the opposite side being a mirror image of that shown;

FIG. 3 is an end elevational view thereof;

FIG. 4 is a cross-sectional view thereof, taken along line 4-4 of FIG. 1;

FIG. 5 is a top plan view of an alternate embodiment thereof, the bottom being a mirror image of that shown;

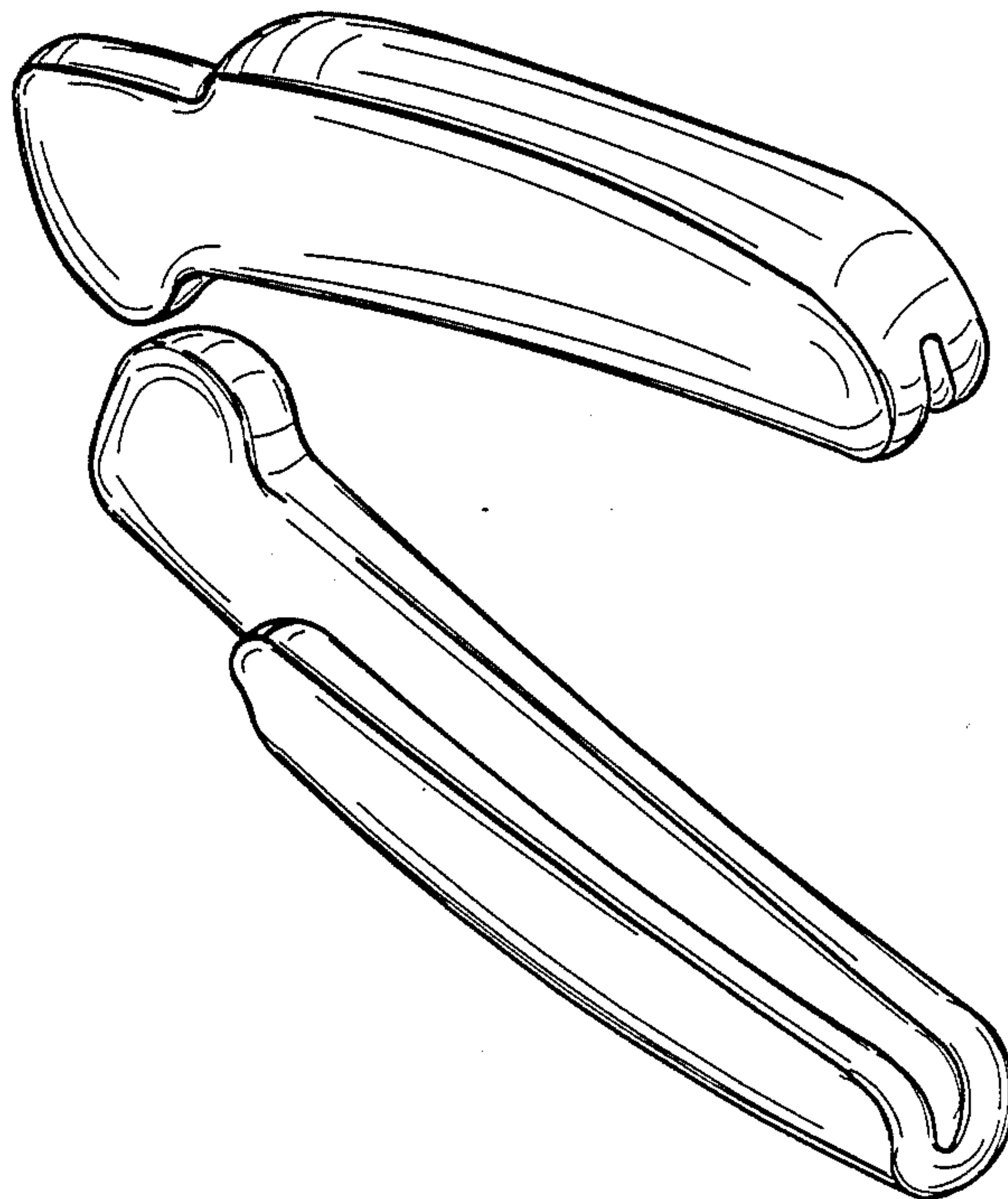
FIG. 6 is a side elevational view of the embodiment of FIG. 5, the opposite side being a mirror image of that shown;

FIG. 7 is an end elevational view of the embodiment of FIG. 5;

FIG. 8 is a cross-sectional view of the embodiment of FIG. 5, taken along line 8-8 of FIG. 5; and

FIG. 9 is a perspective view thereof.

The broken-line showing of the tool blades in the views is for illustrative purposes only and forms no part of the claimed design.



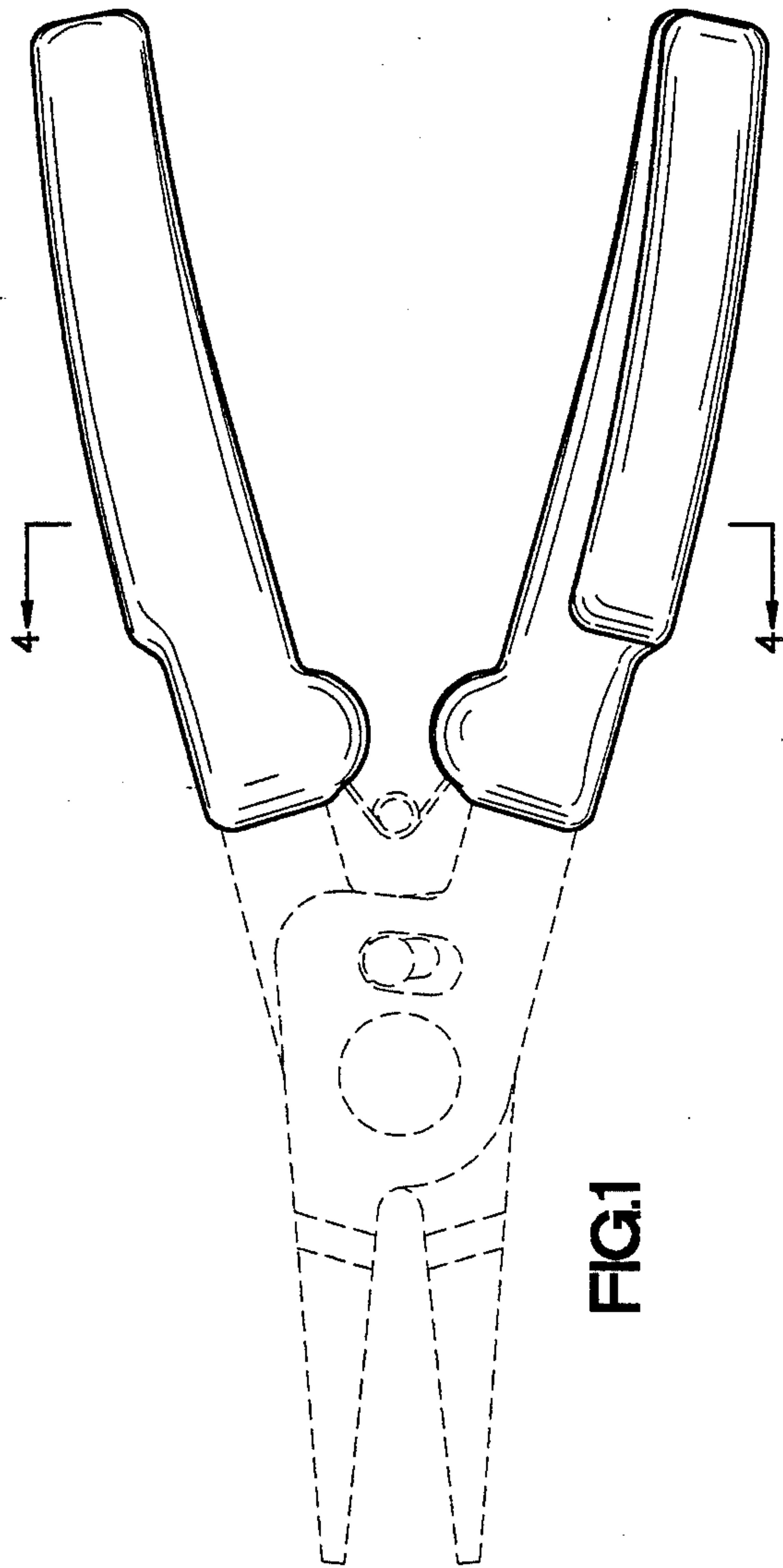


FIG.1

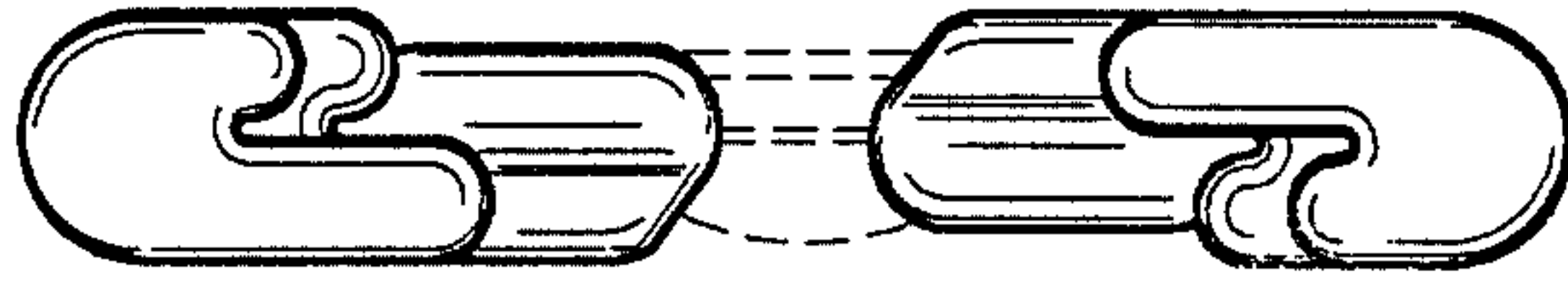


FIG.3

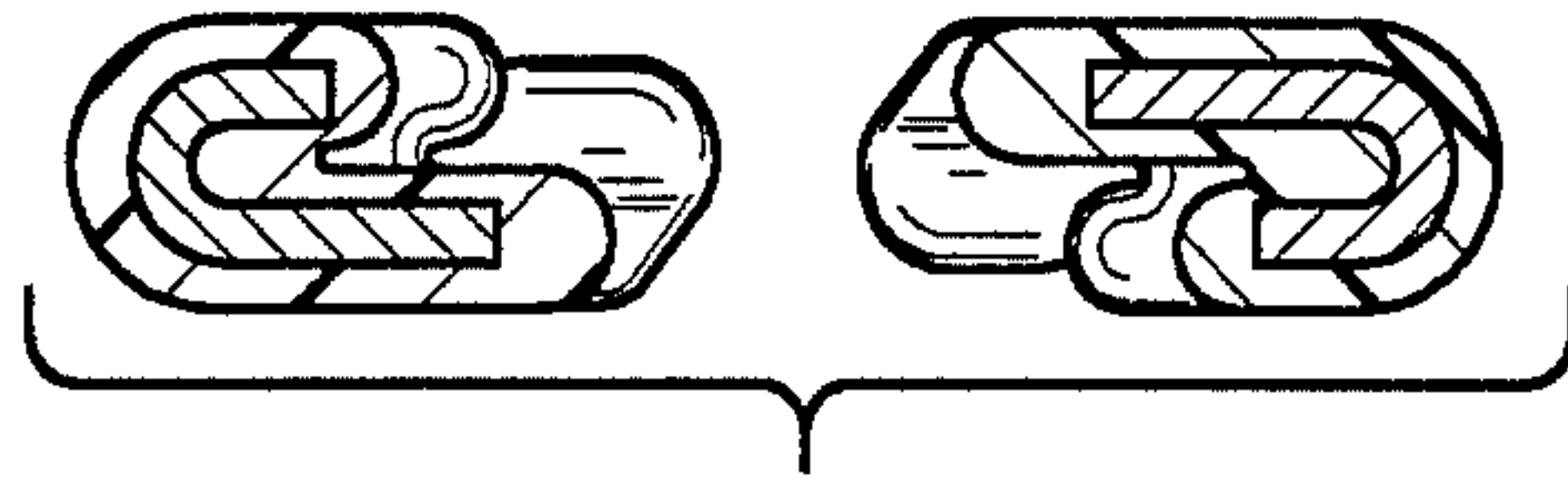


FIG.4

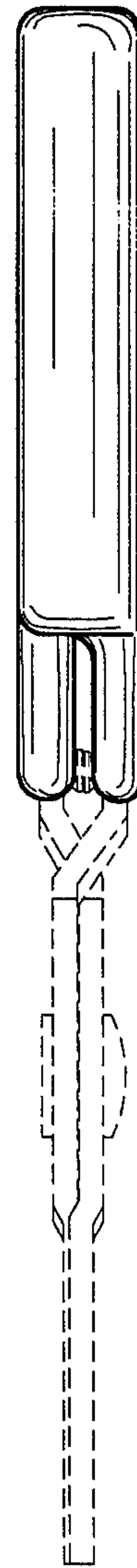


FIG.2

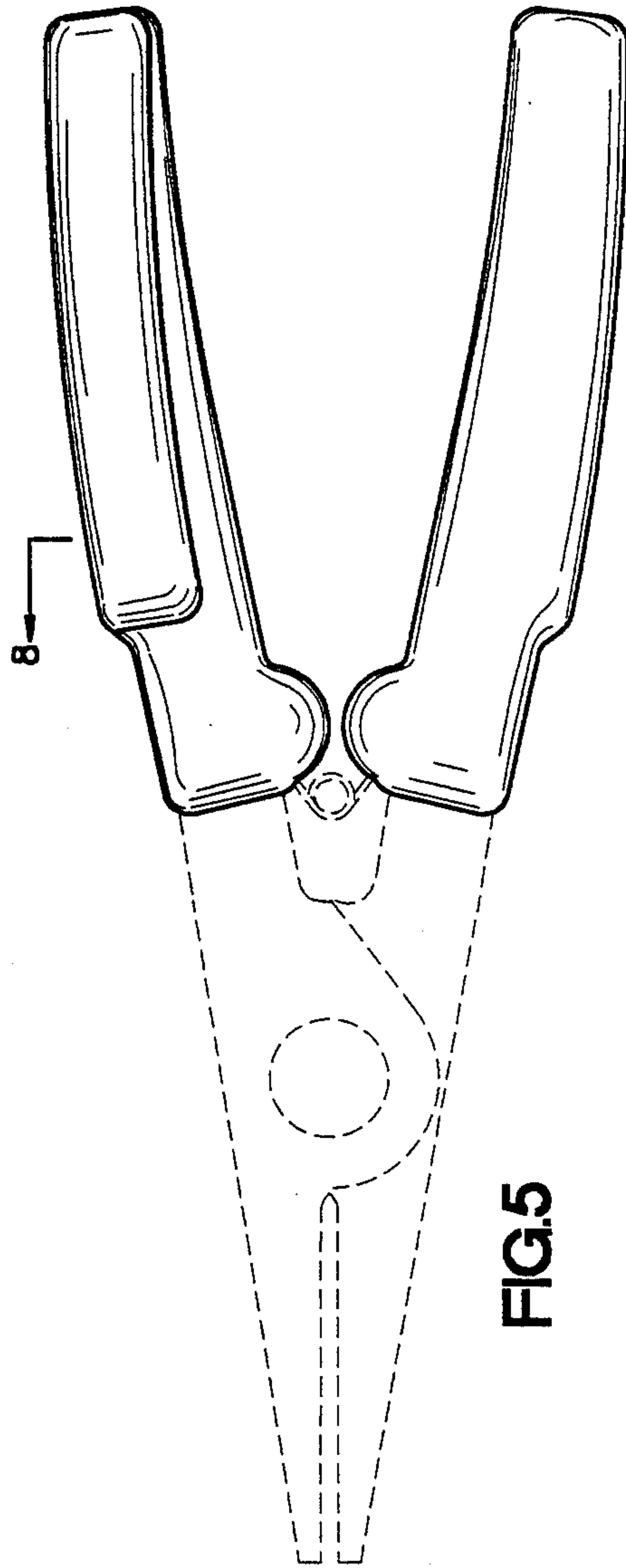


FIG. 7

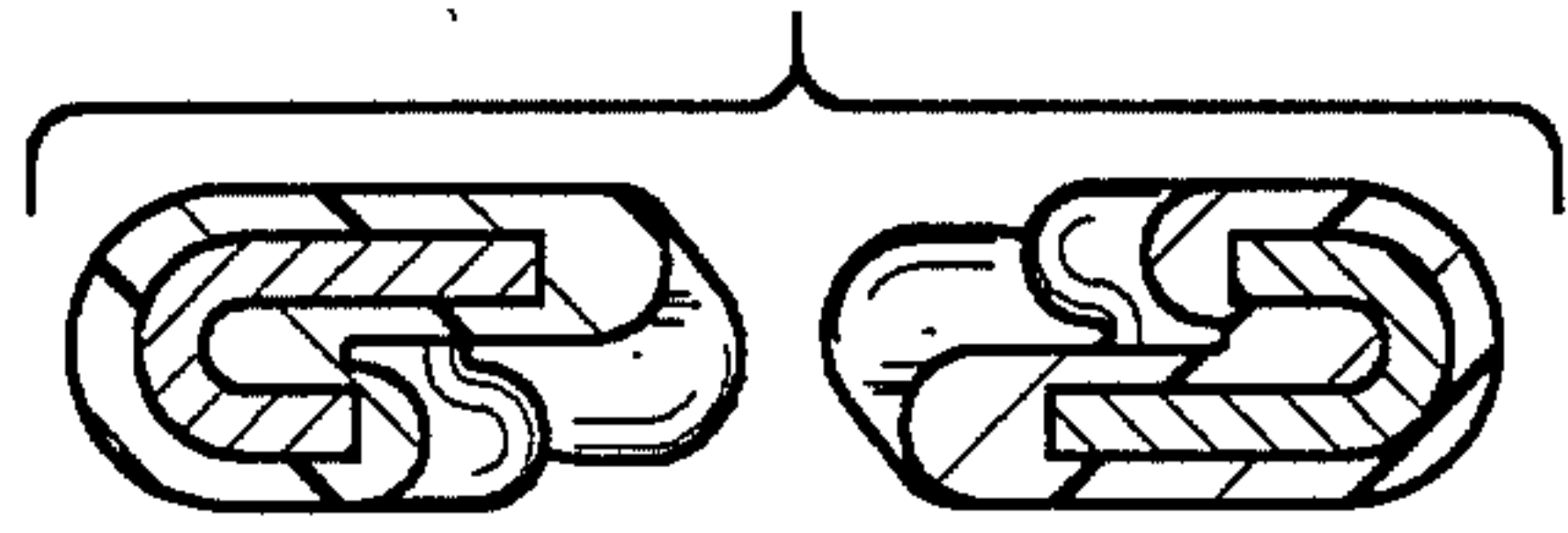


FIG. 8

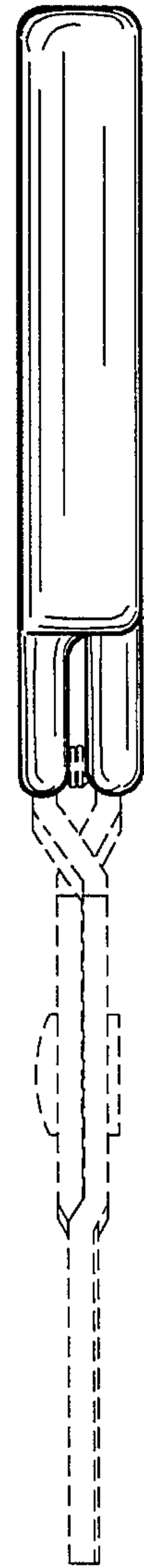


FIG. 6

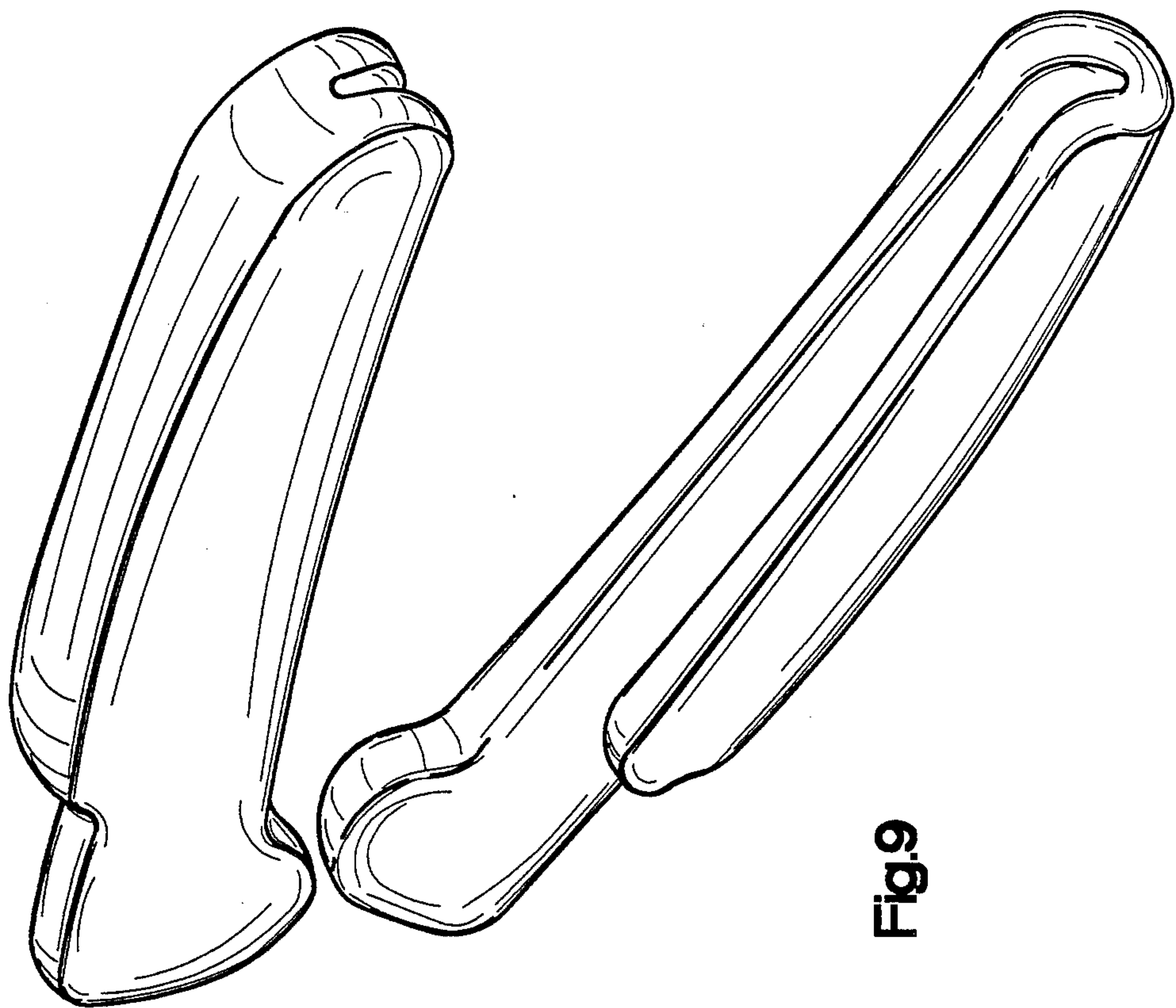


Fig.9