

[54] COMBINED PEPPER MILL AND SALT SHAKER

[56] References Cited

U.S. PATENT DOCUMENTS

D. 131,924 4/1942 Williams ..... D7/56  
D. 197,309 1/1964 Feverbacher ..... D21/177 X

[75] Inventor: John W. Pierotti, Smethport, Pa.

OTHER PUBLICATIONS

*Advertising Dolls*, 8/81, p. 311, Mr. Tony Chef Doll.

[73] Assignee: Chef Specialities Company, Inc.,  
Smethport, Pa.

*Primary Examiner*—Bernard Ansher  
*Assistant Examiner*—Terry A. Pfeffer

[\*\*] Term: 14 Years

[57] CLAIM

The ornamental design for a combined pepper mill and salt shaker, as shown and described.

[21] Appl. No.: 175,730

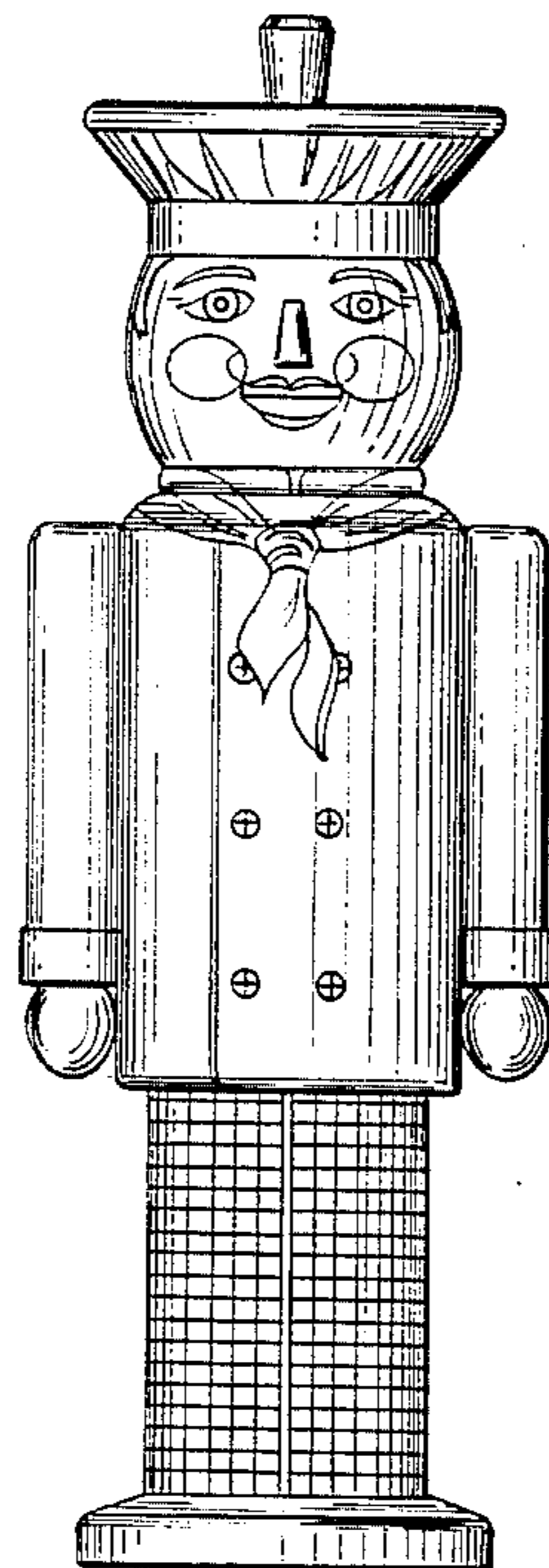
DESCRIPTION

[22] Filed: Mar. 31, 1988

FIG. 1 is a front elevational view of a combined pepper mill and salt shaker showing my new design;  
FIG. 2 is a left side elevational view thereof, the right side being the mirror image;  
FIG. 3 is a rear elevational view thereof;  
FIG. 4 is a top plan view thereof; and  
FIG. 5 is a bottom plan view thereof.

[52] U.S. Cl. .... D7/594; D7/596;  
D7/679; D9/311; D21/178

[58] Field of Search ..... D7/52-58,  
D7/5, 80; D9/307, 310-311, 359, 366;  
D21/166, 177-178; 222/142.1-142.9; 241/168,  
169, 169.1



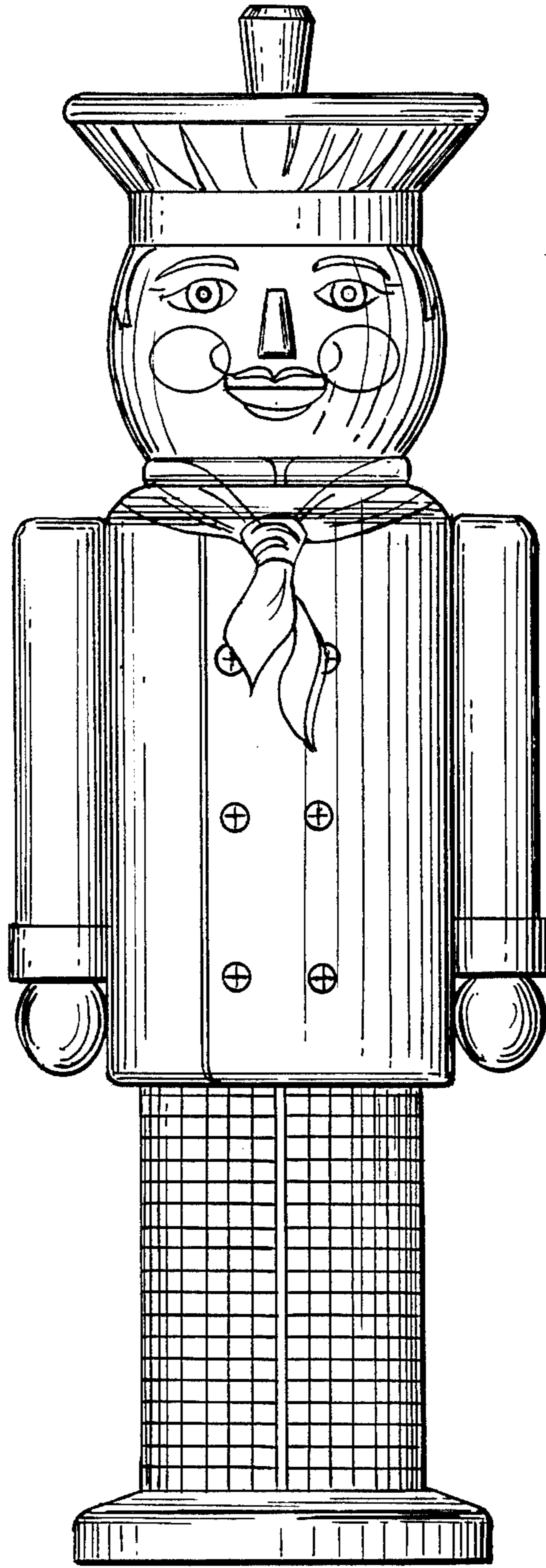


FIG. 1

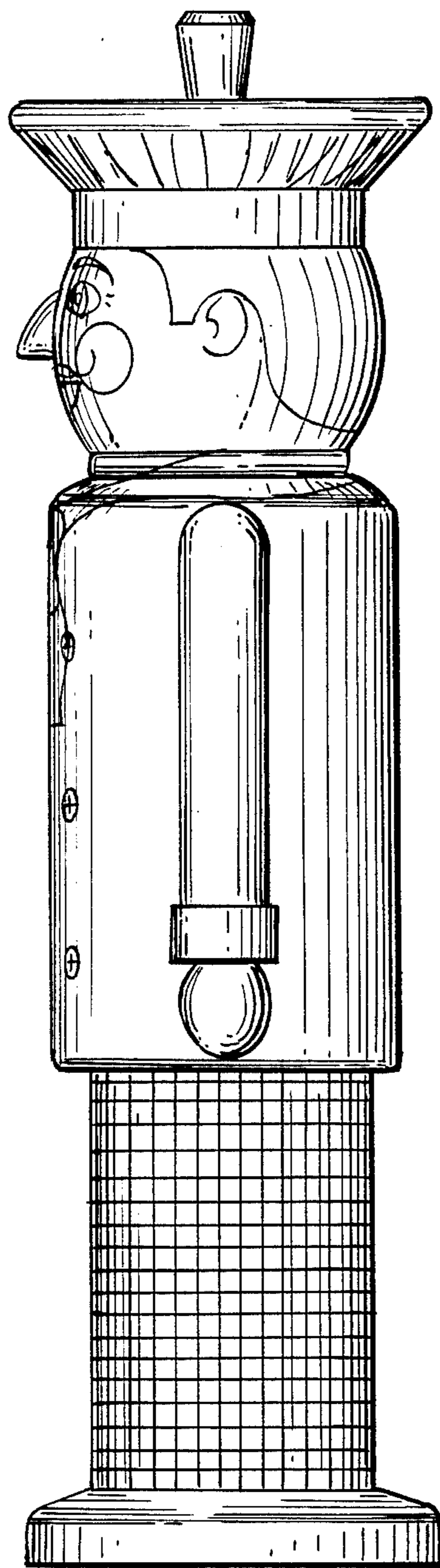


FIG. 2

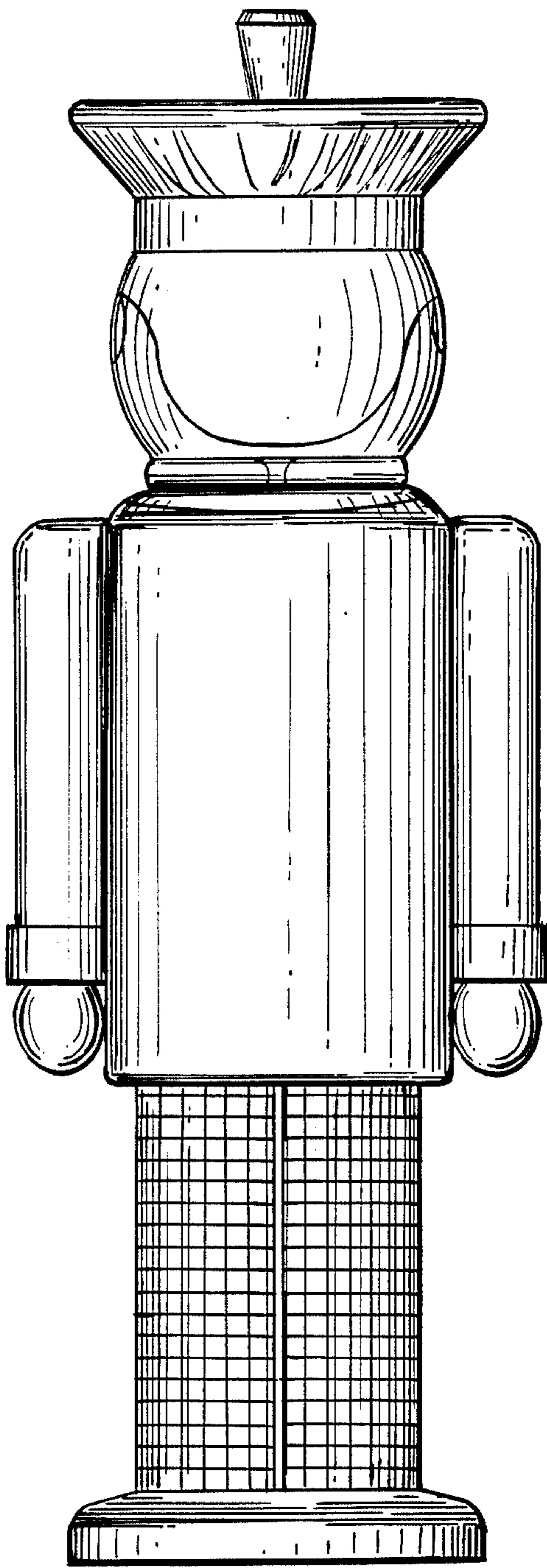


FIG. 3

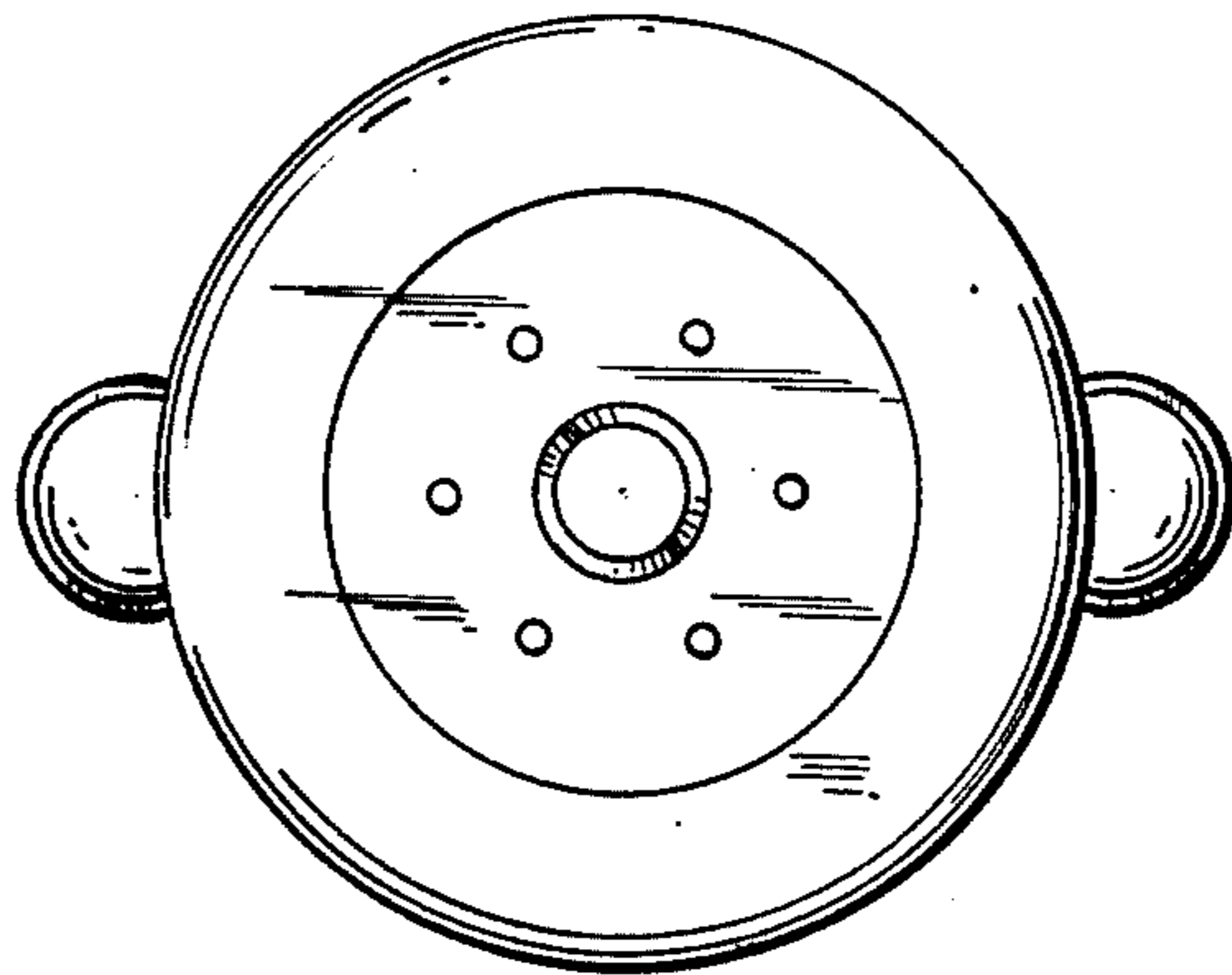


FIG. 4

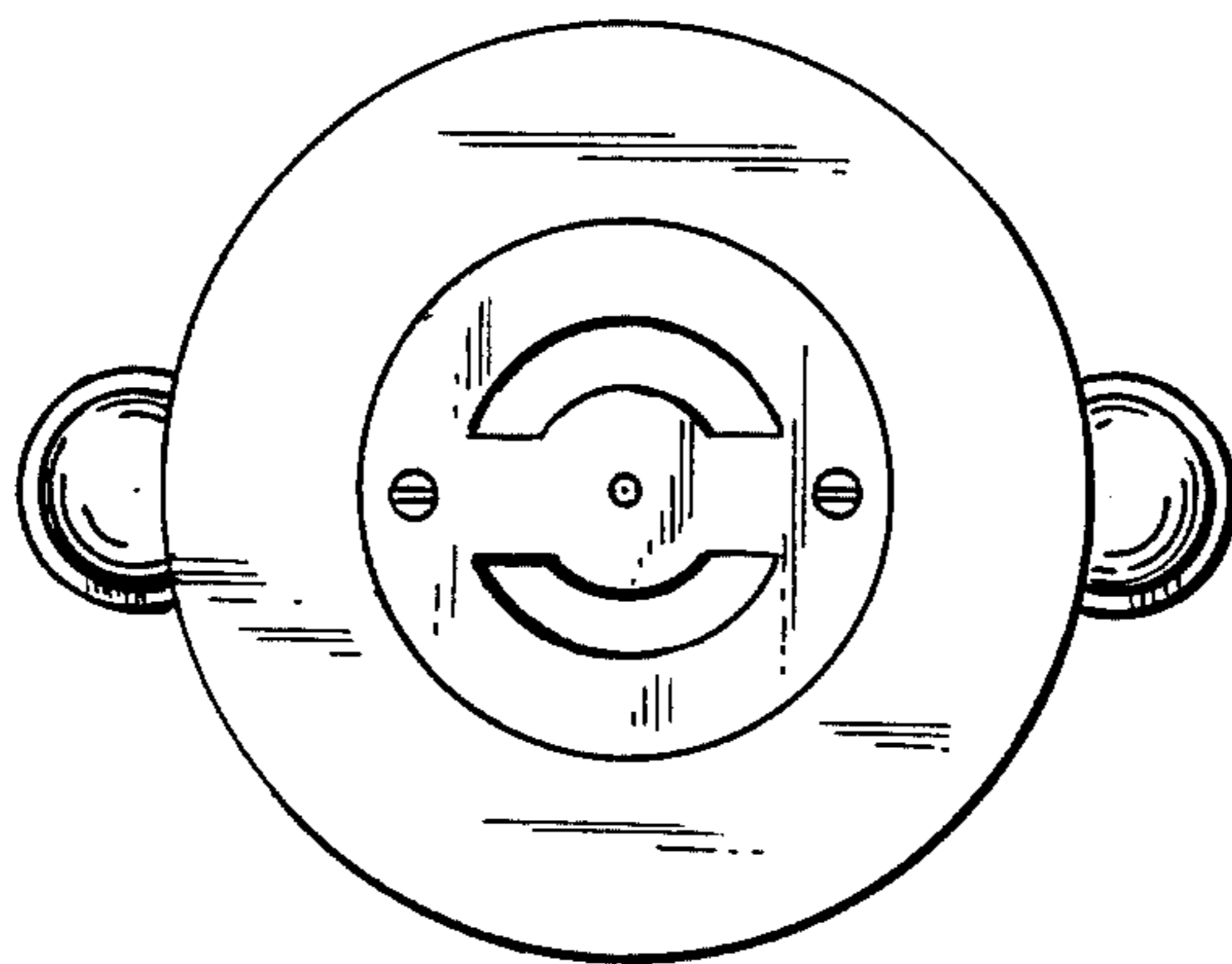


FIG. 5