

[54] ICE CREAM AGITATOR

[75] Inventor: John K. Barnard, Bay Village, Ohio

[73] Assignee: Vita-Mix Corporation, Cleveland, Ohio

[**] Term: 14 Years

[21] Appl. No.: 211,668

[22] Filed: Jun. 27, 1988

[52] U.S. Cl. D7/412

[58] Field of Search D15/79, 89, 82; D7/412, D7/413, 415; 366/342, 343, 445

[56] References Cited

U.S. PATENT DOCUMENTS

D. 195,728	7/1963	Freedman et al.	D7/412
4,169,681	10/1979	Kato	366/244
4,698,984	10/1987	Manfroni	62/343
4,779,990	10/1988	Hjort et al.	366/343

OTHER PUBLICATIONS

Advertisement, Flurry Flavor Blender, by Flurry International, Inc., Cleveland, Ohio, date unknown.

Advertisement, "Profit Blending Centers" by Flurry International, Inc., Cleveland, Ohio, date unknown.

Advertisement, Arctic Swirl Model HDM50 by Electro Freeze, a division of H. C. Duke & Son, East Moline, Ill., date unknown.

Advertisement, Super Mixer by Waring, date unknown.

Advertisement, Cyclone by Sani Serve of Indianapolis, Ind., date unknown.

Advertisement, Jiffy All Purpose Mixer by Jiffy Mixer of Tustin, Calif., date unknown.

Primary Examiner—B. J. Bullock

Assistant Examiner—Sandra Morris

Attorney, Agent, or Firm—Renner, Kenner, Greive, Bobak, Taylor & Weber

[57] CLAIM

The ornamental design for an ice cream agitator, as shown and described.

DESCRIPTION

FIG. 1 is a perspective view of an ice cream agitator showing my new design;

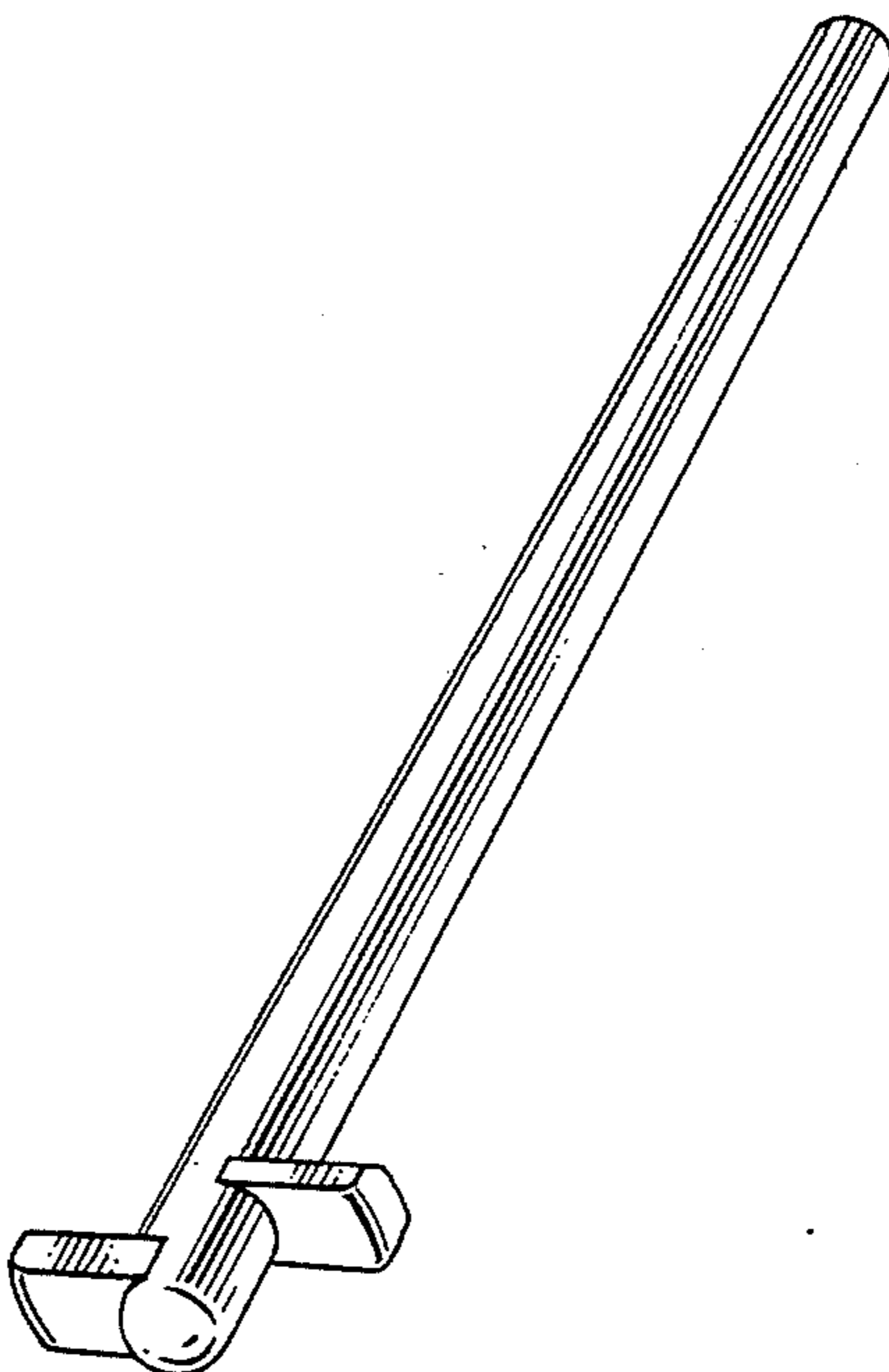
FIG. 2 is a rear elevational view thereof;

FIG. 3 is a left side elevational view thereof;

FIG. 4 is a right side elevational view thereof;

FIG. 5 is a top plan view thereof;

FIG. 6 is a bottom plan view thereof.



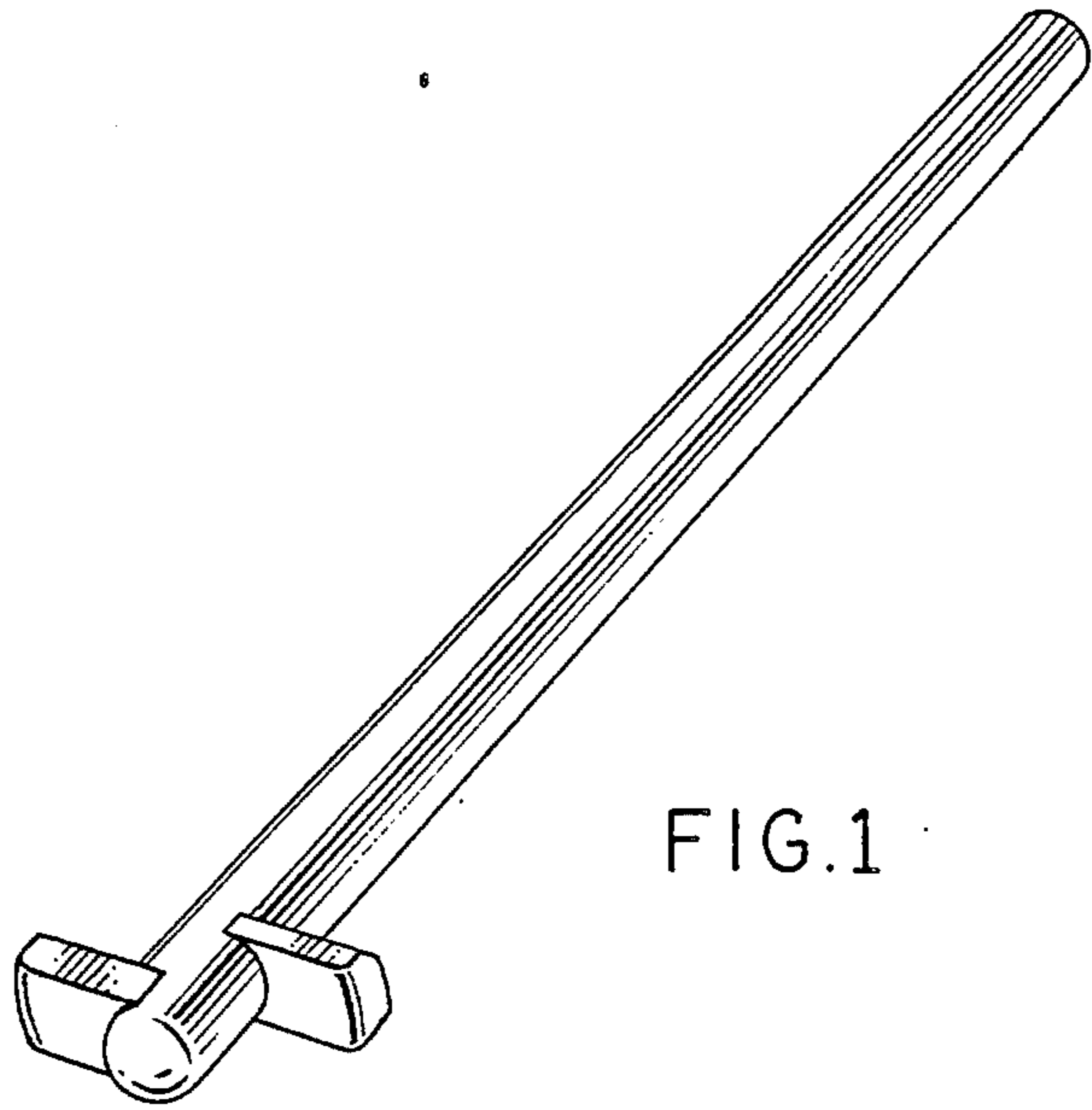


FIG. 1

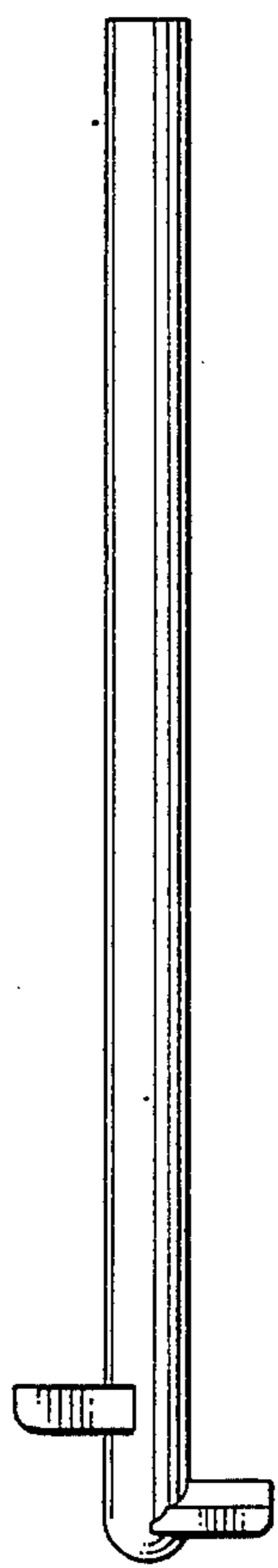


FIG. 2



FIG. 3

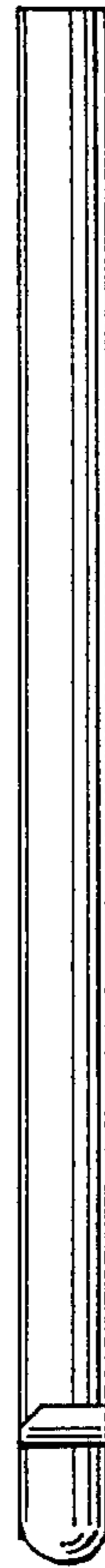


FIG. 4



FIG. 5



FIG. 6