

[54] **CAP FOR A GAS BURNER**
[75] **Inventor: Lyle B. Lund, Geneva, Ill.**
[73] **Assignee: Harper-Wyman Company, Lisle, Ill.**
[**] **Term: 14 Years**
[21] **Appl. No.: 146,358**
[22] **Filed: Jan. 21, 1988**
[52] **U.S. Cl. D7/407**
[58] **Field of Search D7/402, 407, 408;**
126/38, 39 E, 39 H:212, 214 C; 431/144, 146,
129, 266, 264; D9/435, 439, 445, 454; 220/288,
352, DIG. 19, 32, 33; 215/200, 208, 211, 223,
316

D. 236,418 8/1975 Duperow et al. D7/407
4,426,990 1/1984 Shepherd 126/38

Primary Examiner—A. Hugo Word
Assistant Examiner—Ruth McInroy
Attorney, Agent, or Firm—Mason, Kolehmainen,
Rathburn & Wyss

[57] **CLAIM**

The ornamental design for a cap for a gas burner, as shown and described.

DESCRIPTION

FIG. 1 is a perspective view of a cap for a gas burner showing my new design, the gas burner is shown in broken lines for illustrative purposes only and forms no part of the claimed design;
FIG. 2 is a top plan view thereof;
FIG. 3 is a bottom plan view thereof;
FIG. 4 is a side elevational view thereof; and
FIG. 5 is a sectional view taken along lines 5—5 in FIG. 4.

[56] **References Cited**
U.S. PATENT DOCUMENTS
D. 191,085 8/1961 Kindl et al. D7/407
D. 222,122 9/1971 Craver D7/407
D. 232,149 7/1974 Bergquist D7/407

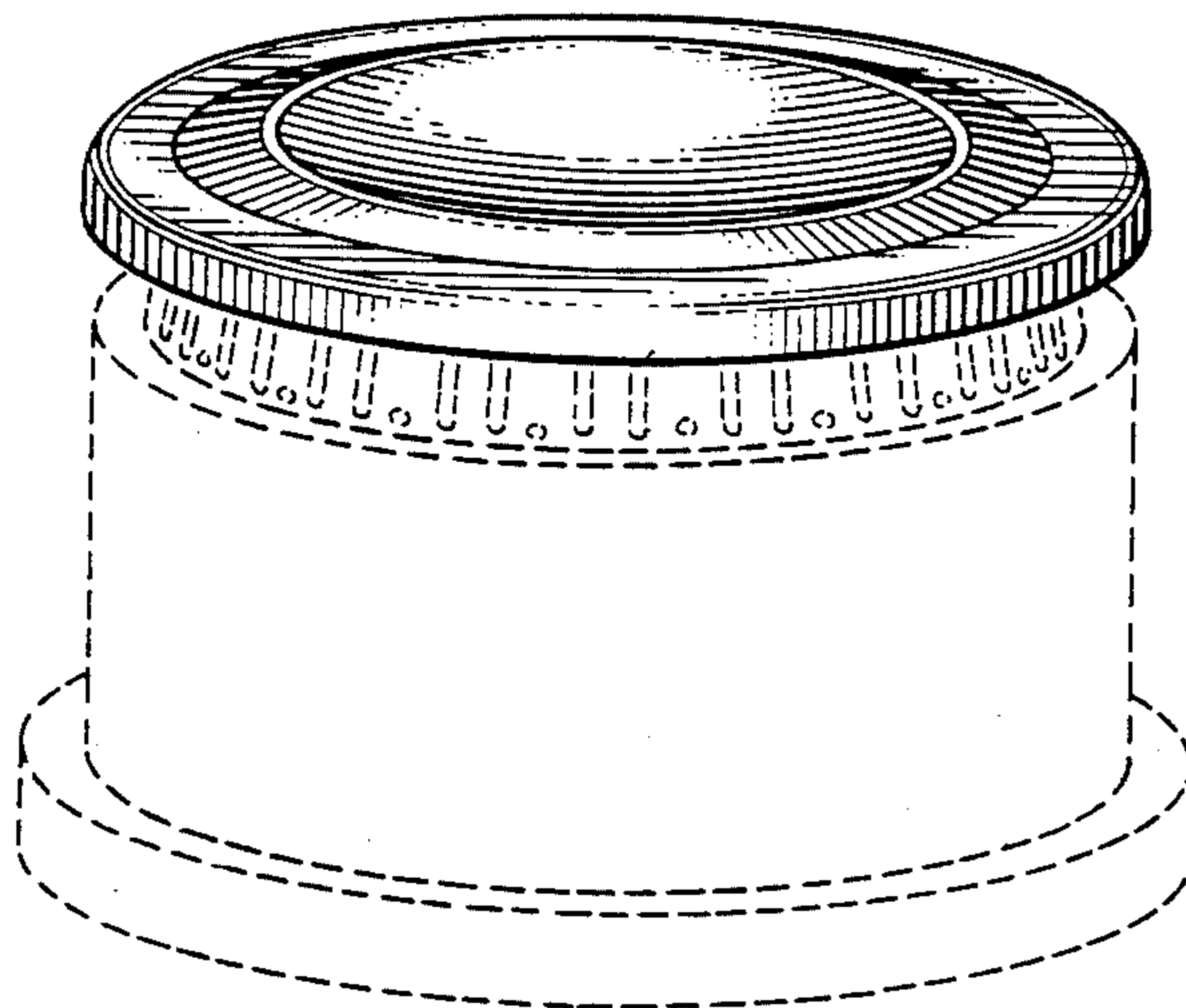


Fig. 1

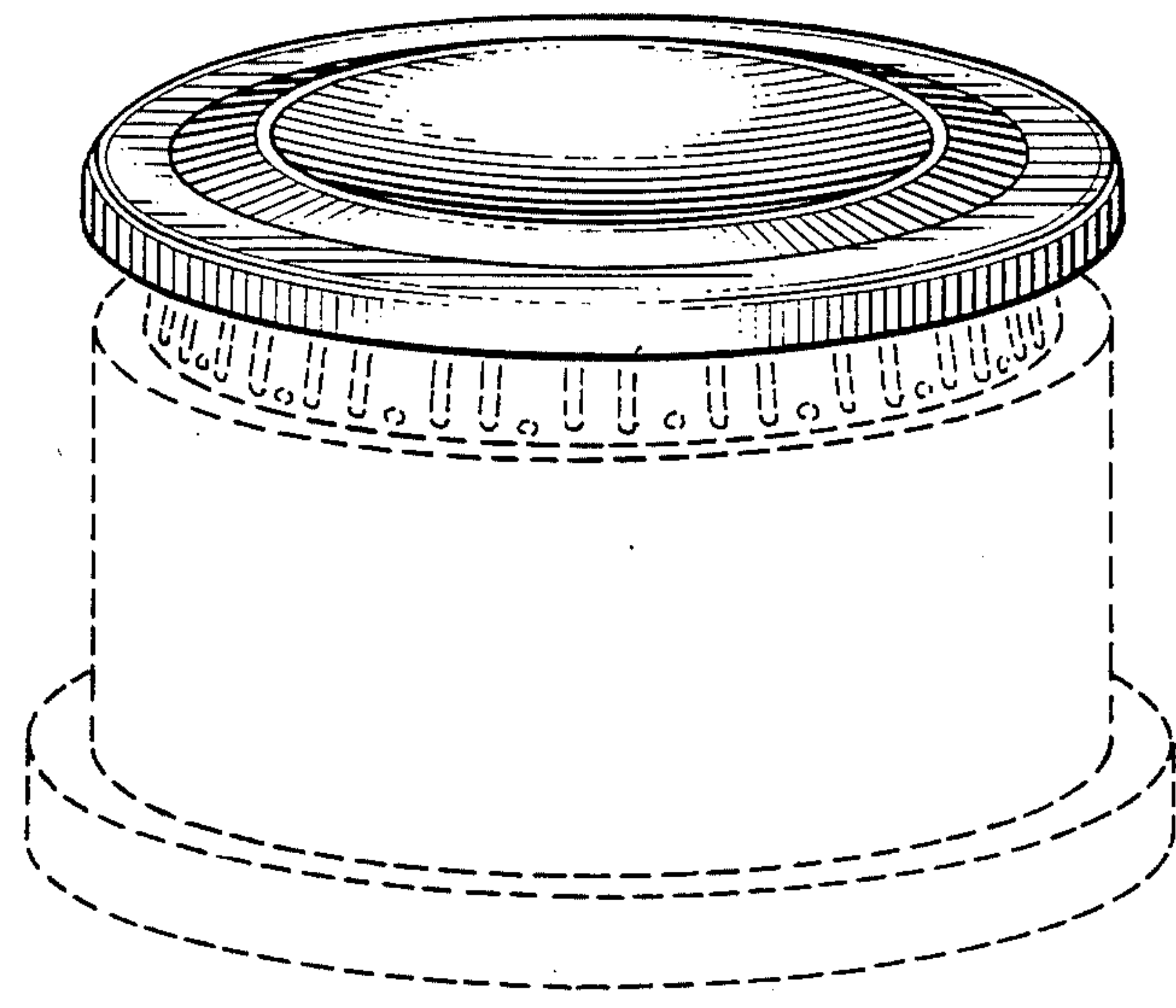


Fig. 2

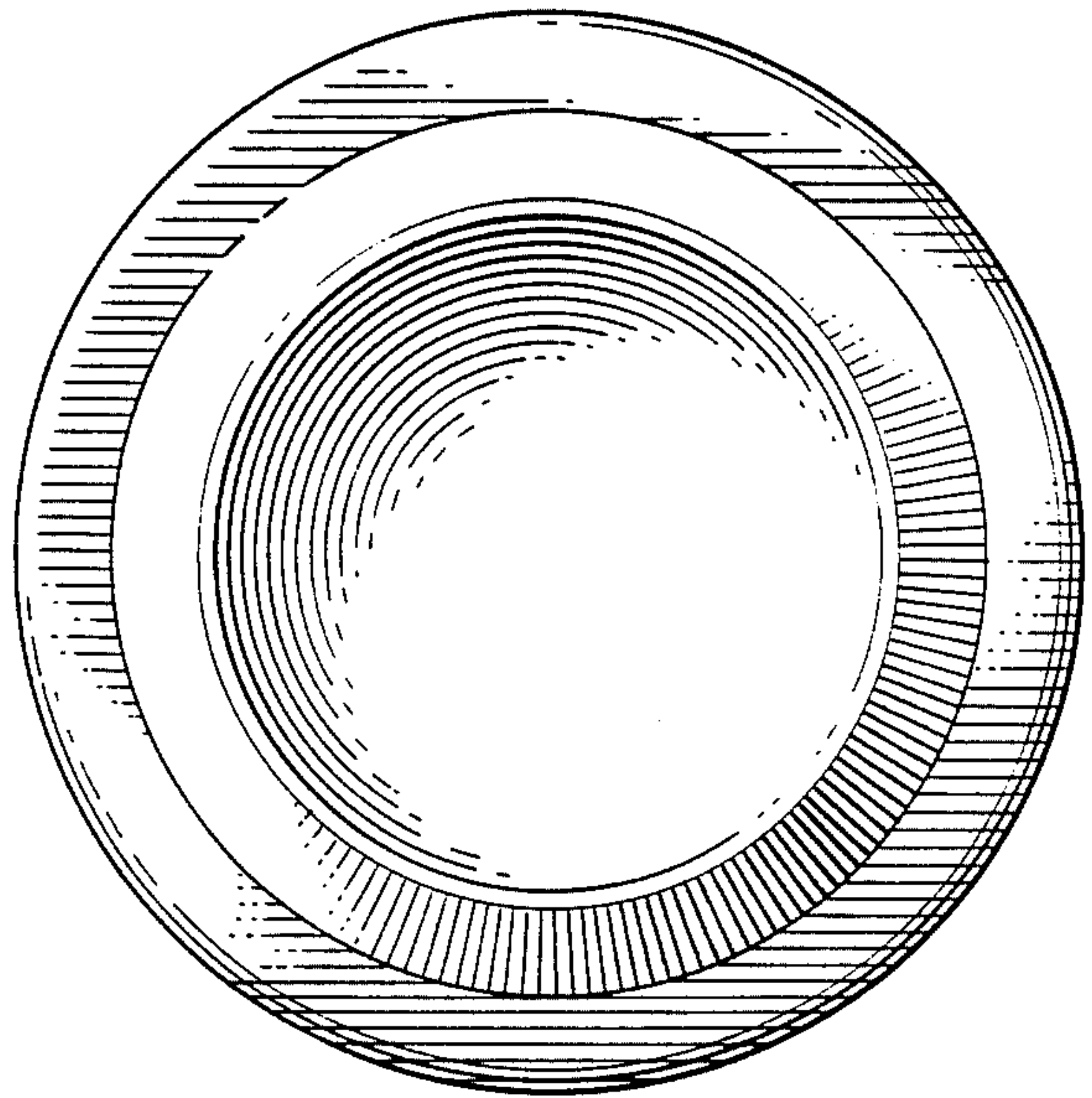


Fig. 3

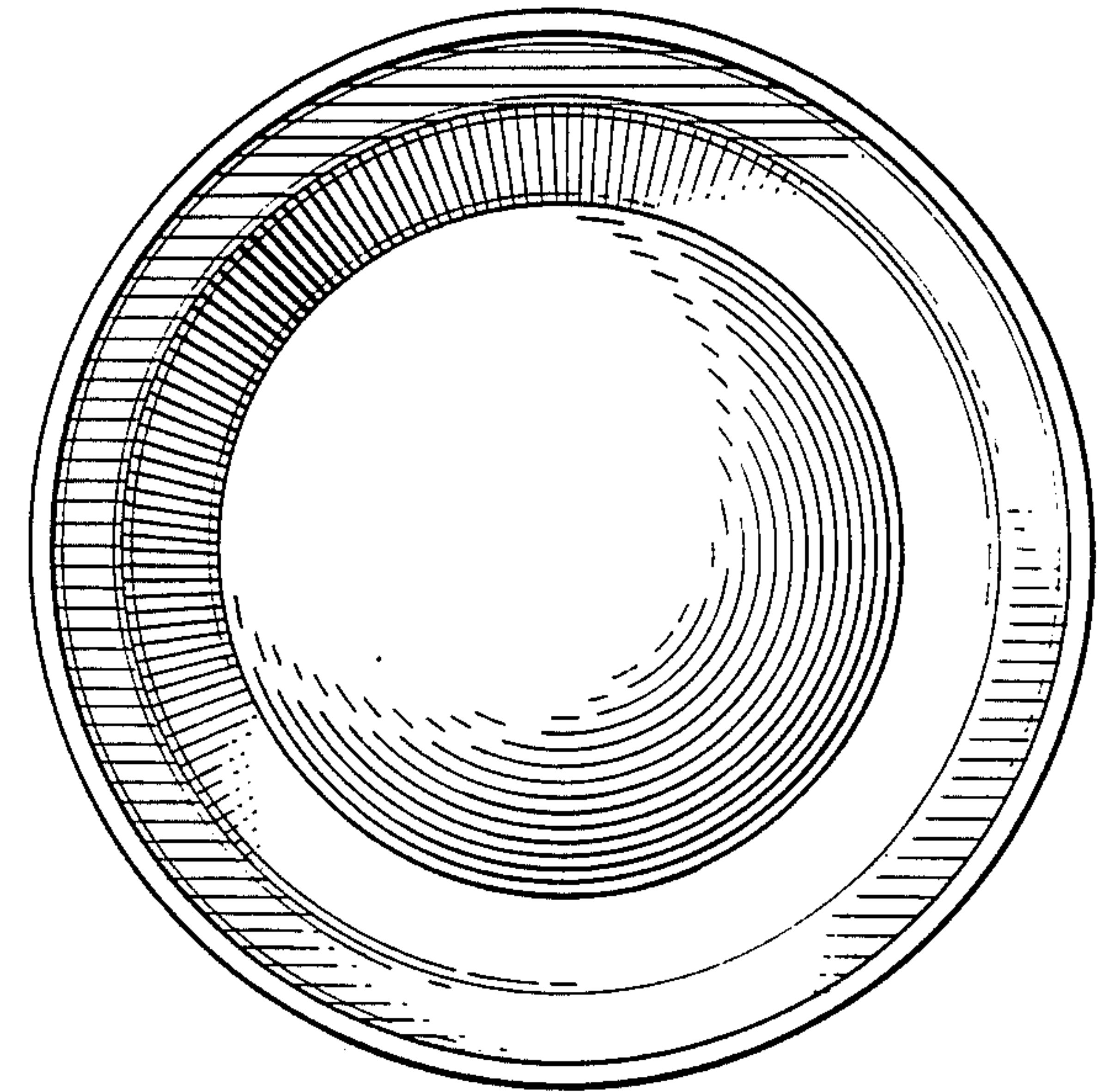


Fig. 4

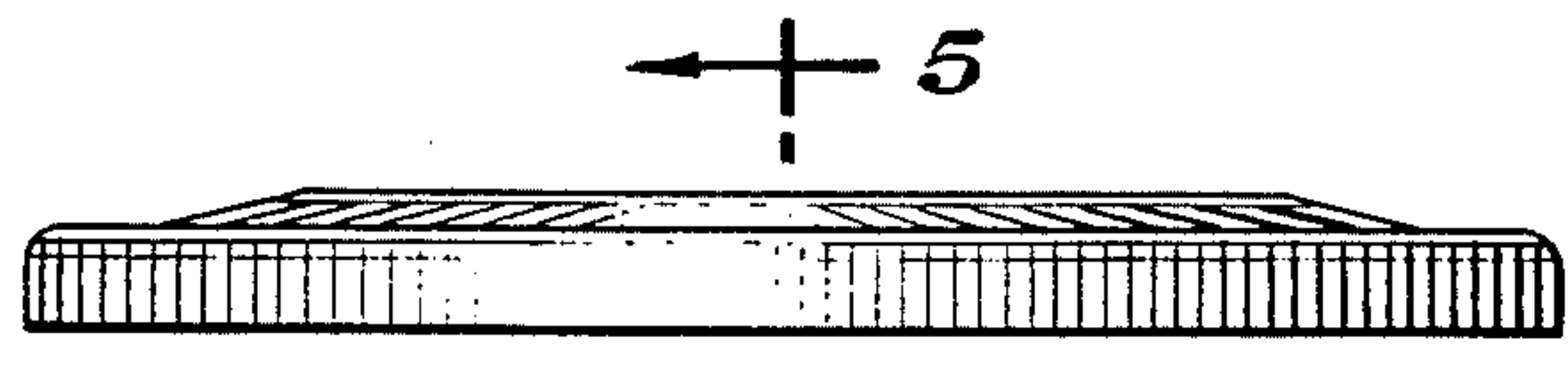


Fig. 5

