

[54] **STORAGE SHELF**

[75] **Inventor: Jack K. Hockenberry, Owatonna, Minn.**

[73] **Assignee: Wenger Corporation, Owatonna, Minn.**

[**] **Term: 14 Years**

[21] **Appl. No.: 74,434**

[22] **Filed: Jul. 16, 1987**

[52] **U.S. Cl. D6/511**

[58] **Field of Search D6/509-411,
D6/491, 492, 494**

[56] **References Cited**

U.S. PATENT DOCUMENTS

D. 207,041	2/1967	Goldstein et al.	D6/511
D. 233,859	12/1974	Tyke	D6/510
D. 241,297	9/1976	Maslow	D6/511
D. 304,887	12/1989	Carlson	D6/509
2,044,407	6/1936	Smith	D6/582 X

Primary Examiner—Bruce W. Dunkins

Assistant Examiner—Janice Seeger

Attorney, Agent, or Firm—Dorsey & Whitney

[57] **CLAIM**

The ornamental design for a storage shelf, as shown.

DESCRIPTION

FIG. 1 is a top perspective view of a storage shelf, showing my new design; and FIG. 2 is a bottom perspective view thereof.

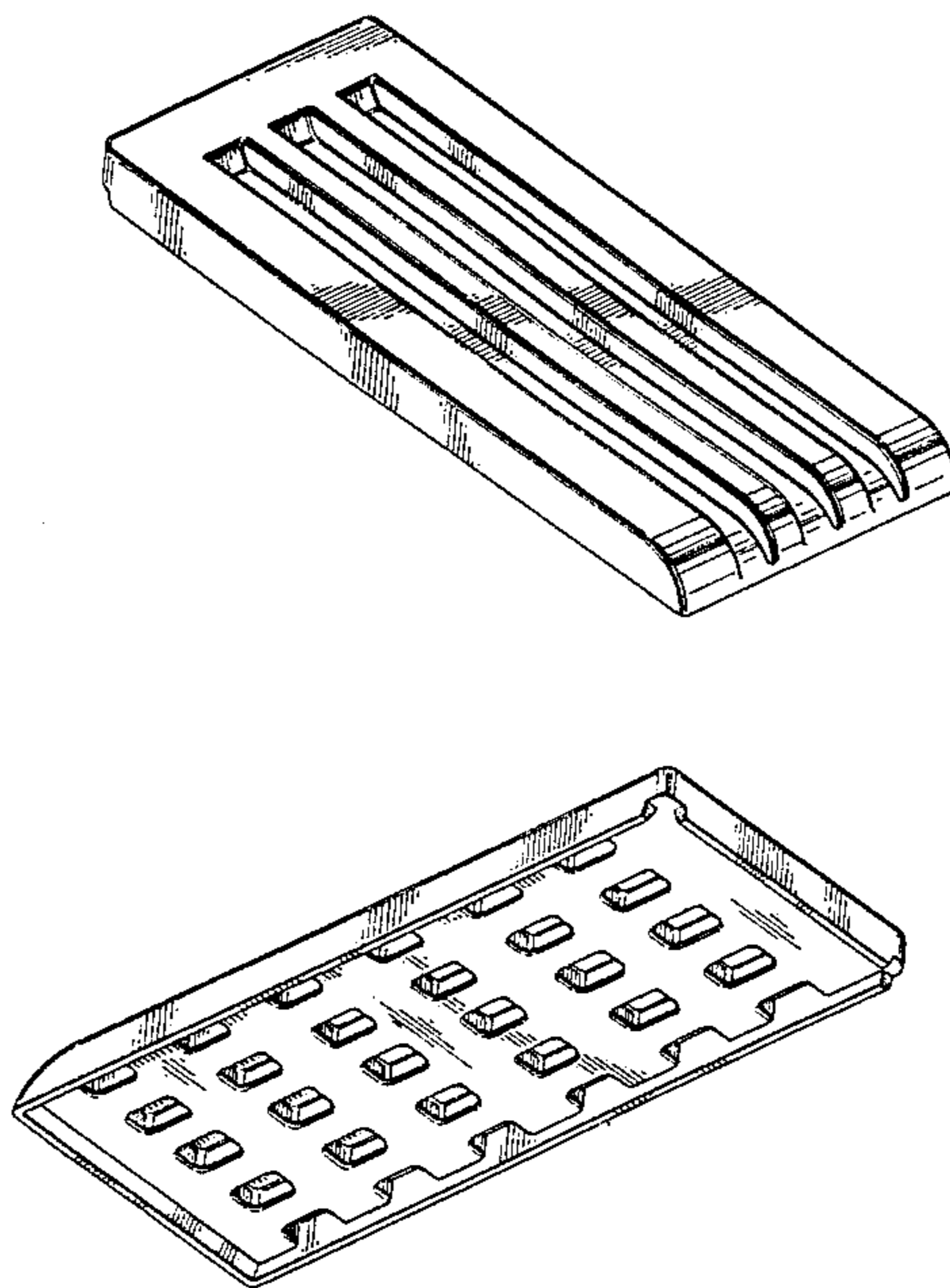


Fig. 1

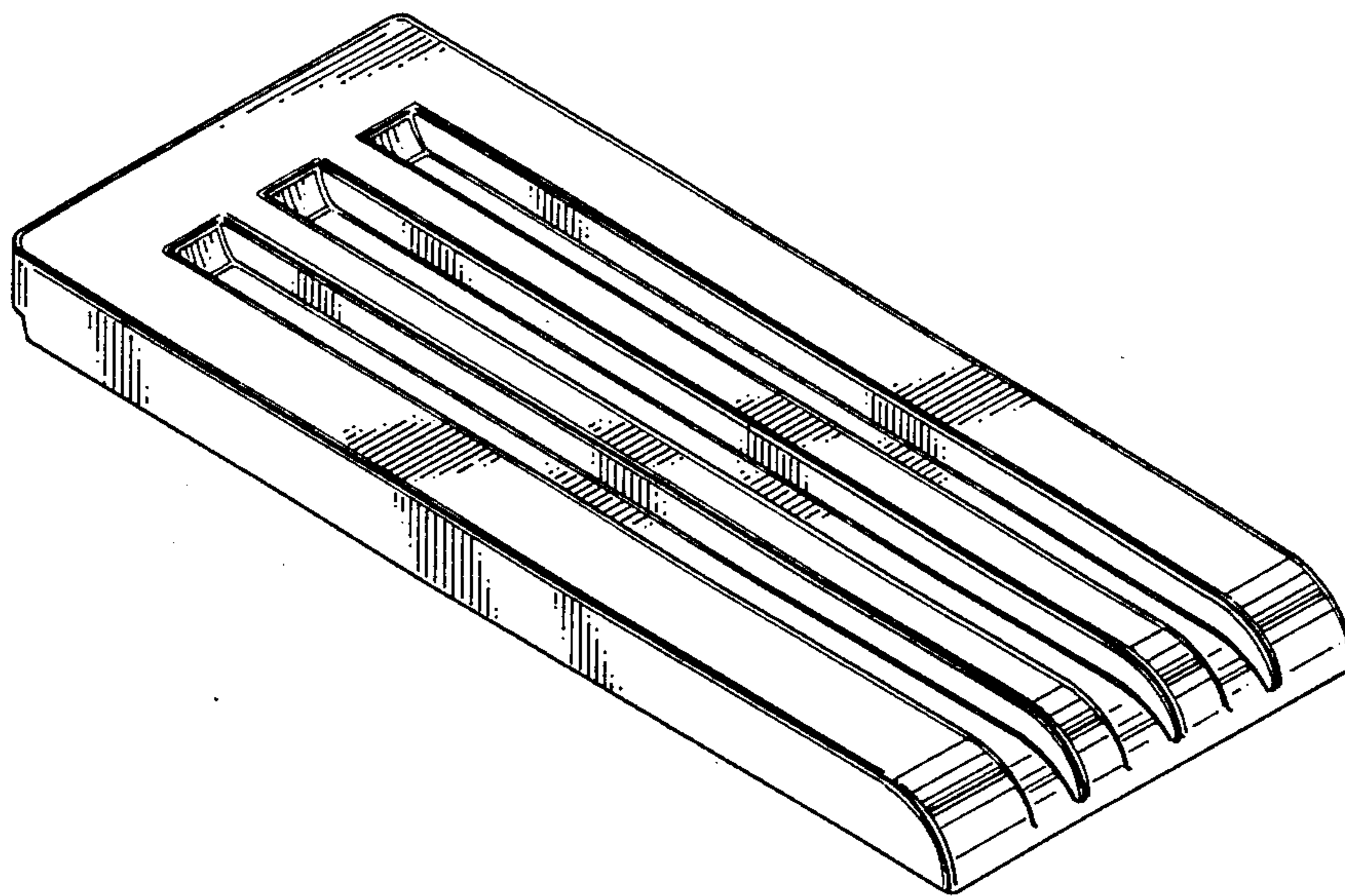


Fig. 2

