

[54] ARM CHAIR

[75] Inventor: Randall P. Buhk, Wyoming, Mich.

[73] Assignee: Allsteel Inc., Aurora, Ill.

[**] Term: 14 Years

[21] Appl. No.: 42,871

[22] Filed: Apr. 23, 1987

[52] U.S. Cl. D6/379; D6/372

[58] Field of Search D6/360, 366, 379, 380

[56] References Cited

U.S. PATENT DOCUMENTS

D. 109,433	4/1938	Bunder	D6/380
D. 175,994	11/1955	Wagner	D6/380
D. 260,330	8/1981	Ruf	D6/366
D. 268,799	5/1983	Feldberg	D6/379

OTHER PUBLICATIONS

Interiors, Dec. 1970, p. 120, chair, left center.
Interiors, 8/1976, p. 22, chair, center right.
Schoner Wohnen, Feb. 1985, p. 145, chair, top right.

Primary Examiner—Bruce W. Dunkins
Assistant Examiner—Ann Hunt
Attorney, Agent, or Firm—Lee, Mann, Smith,
McWilliams & Sweeney

[57] CLAIM

The ornamental design for an arm chair, as shown and described.

DESCRIPTION

FIG. 1 is a front perspective view of the arm chair, showing my design;
FIG. 2 is a left side elevational view thereof;
FIG. 3 is a top plan view thereof;
FIG. 4 is a bottom plan view thereof;
FIG. 5 is a front elevational view thereof;
FIG. 6 is a rear elevational view thereof; and
FIG. 7 is a right side elevational view thereof.

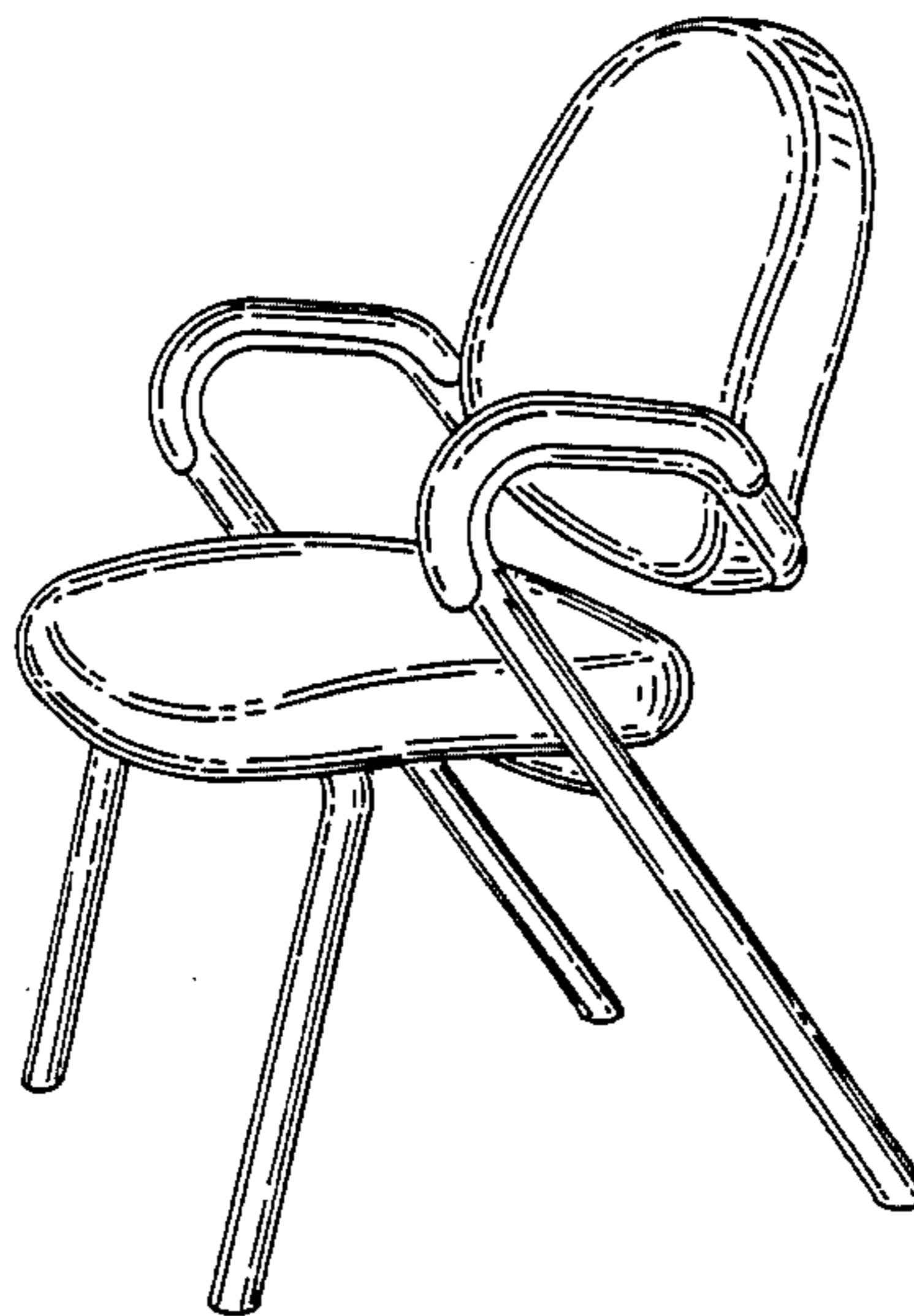


FIG. 1

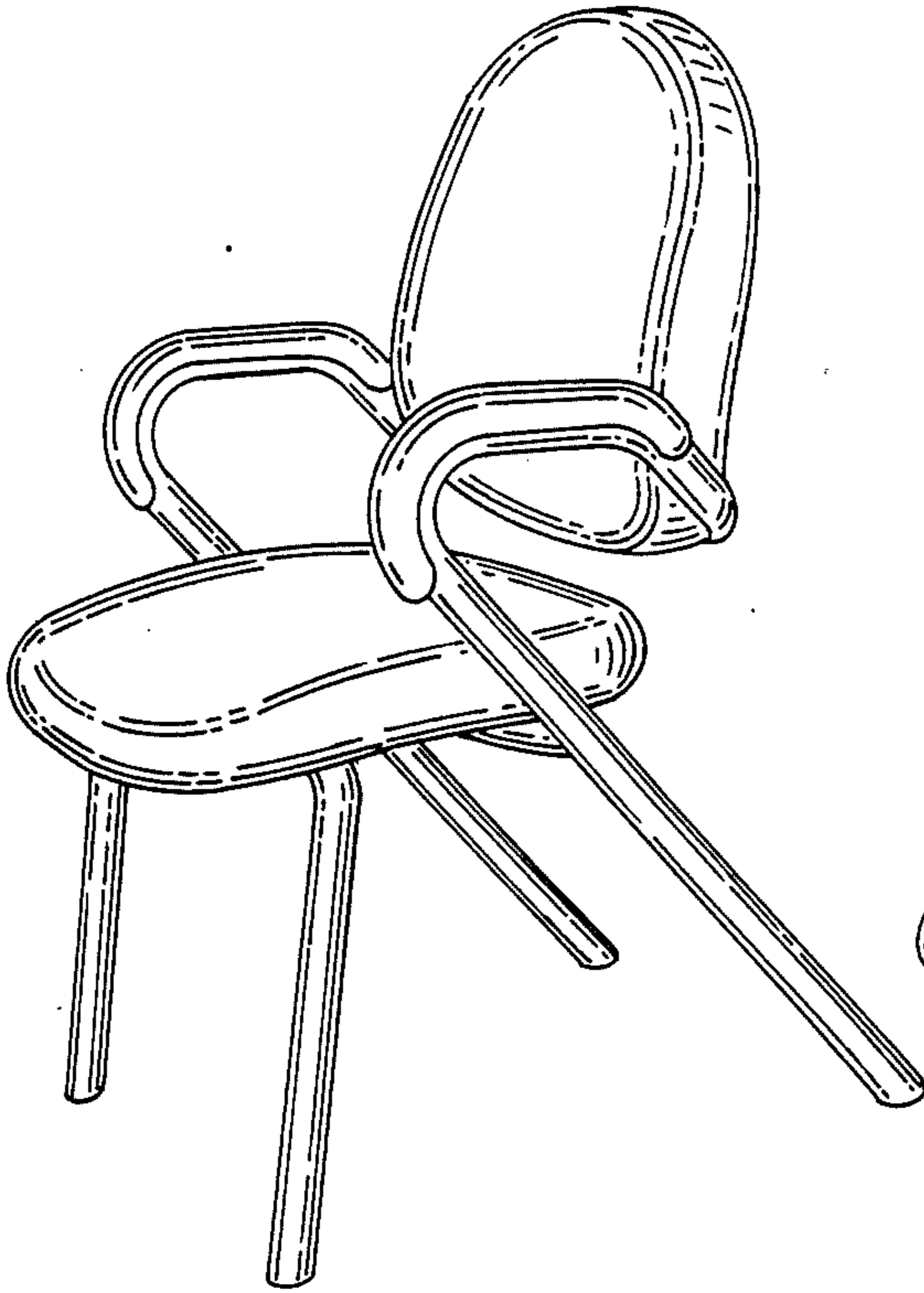


FIG. 2

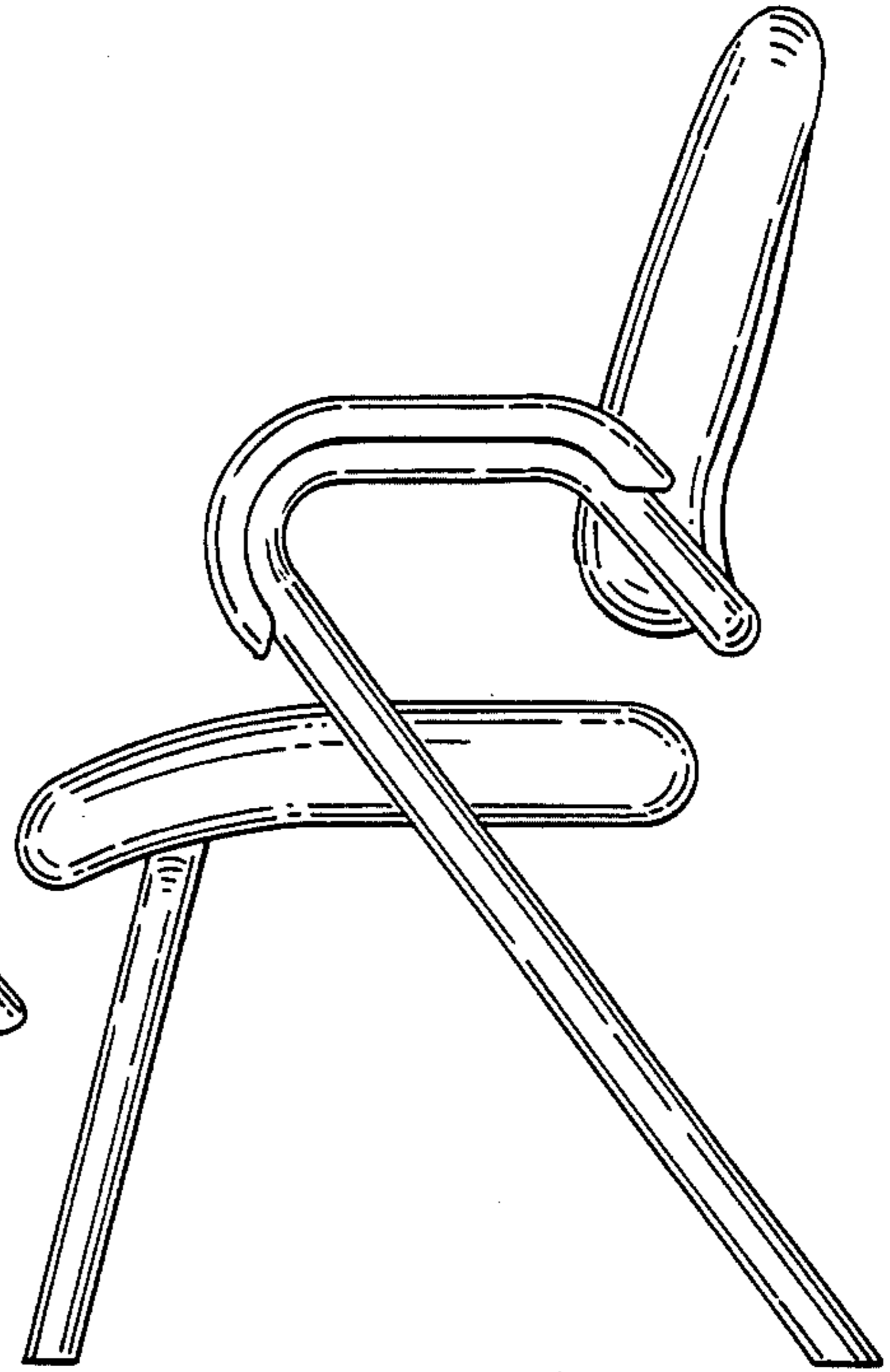


FIG. 3

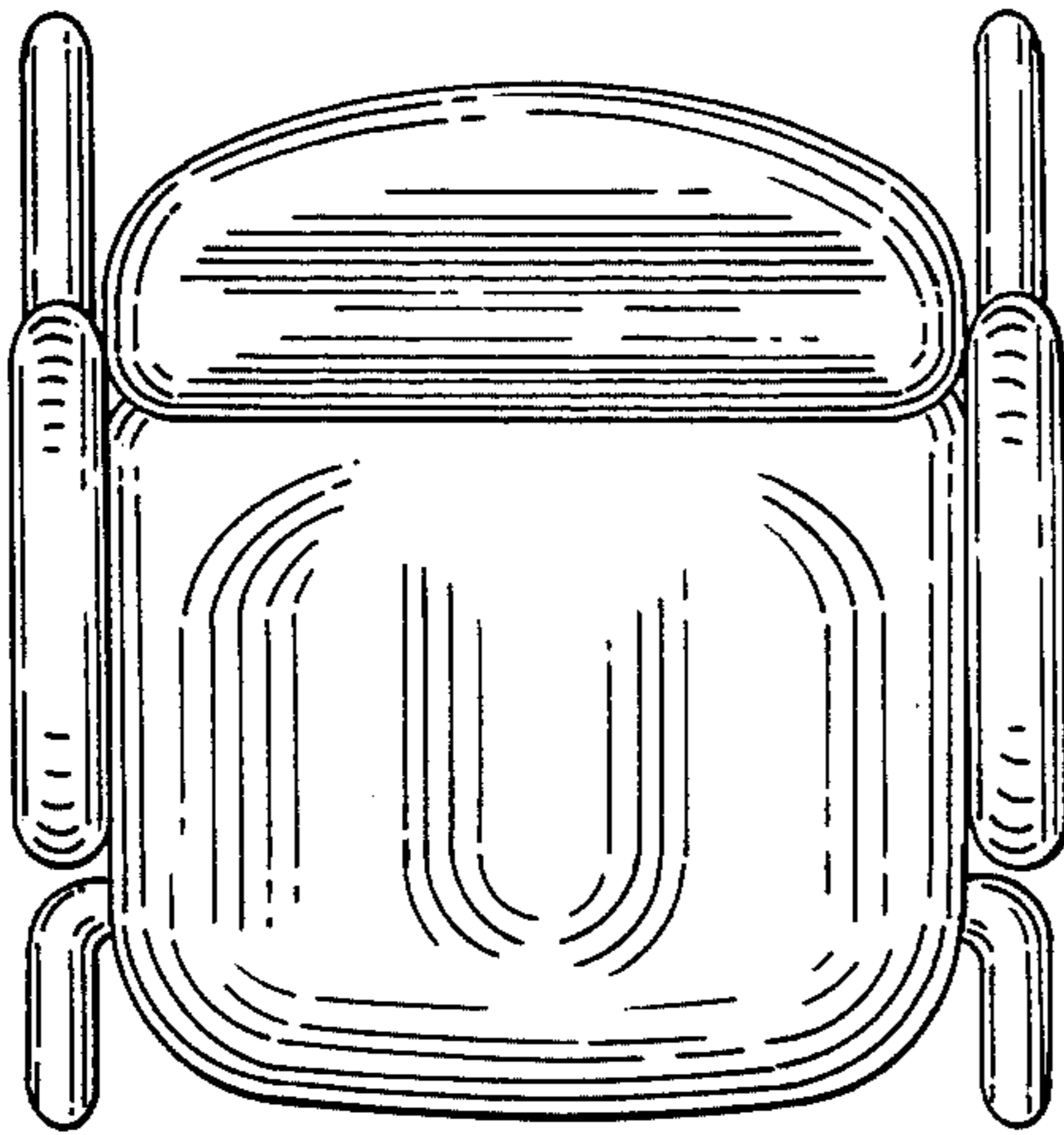


FIG. 4

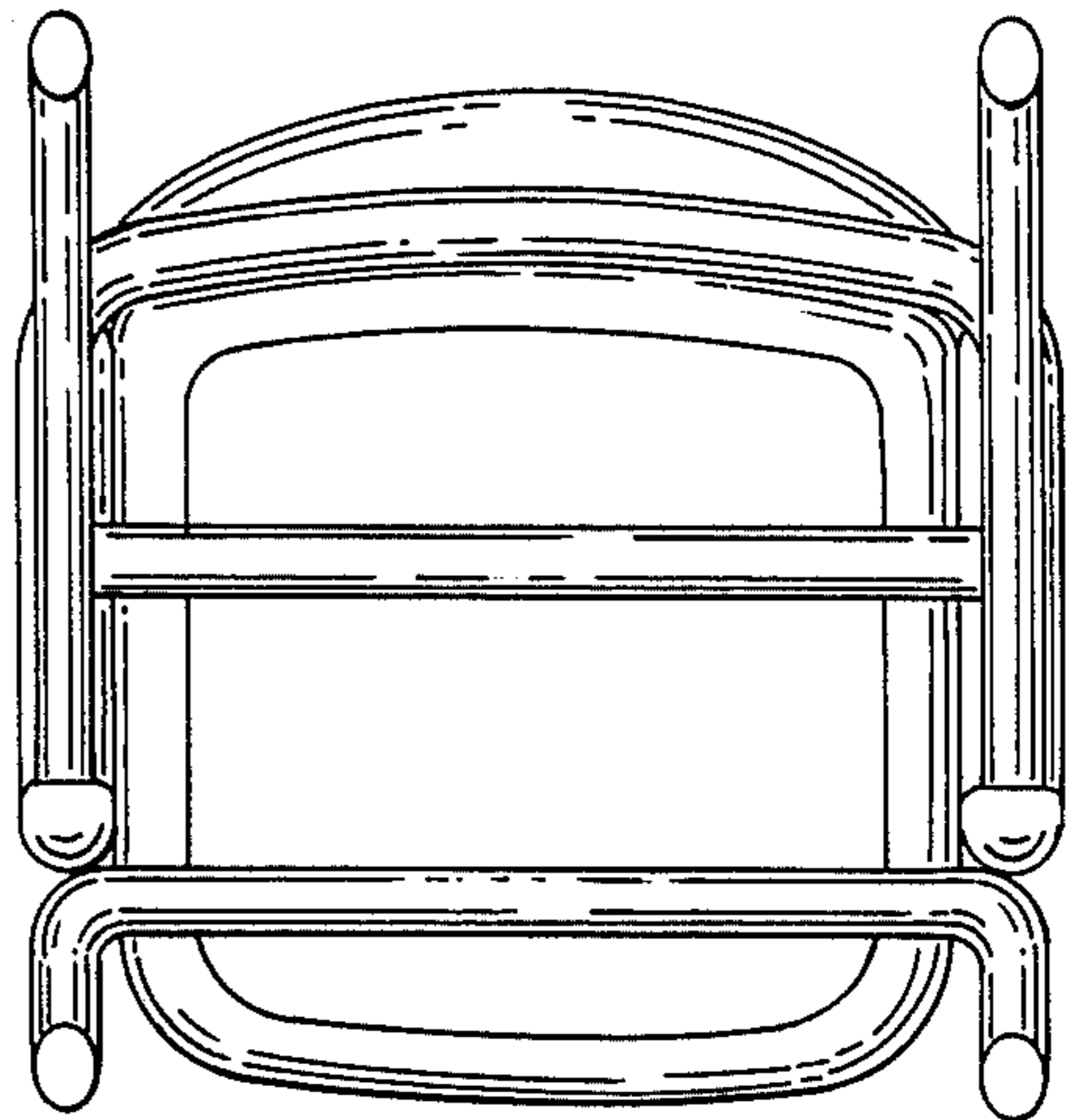


FIG-7-

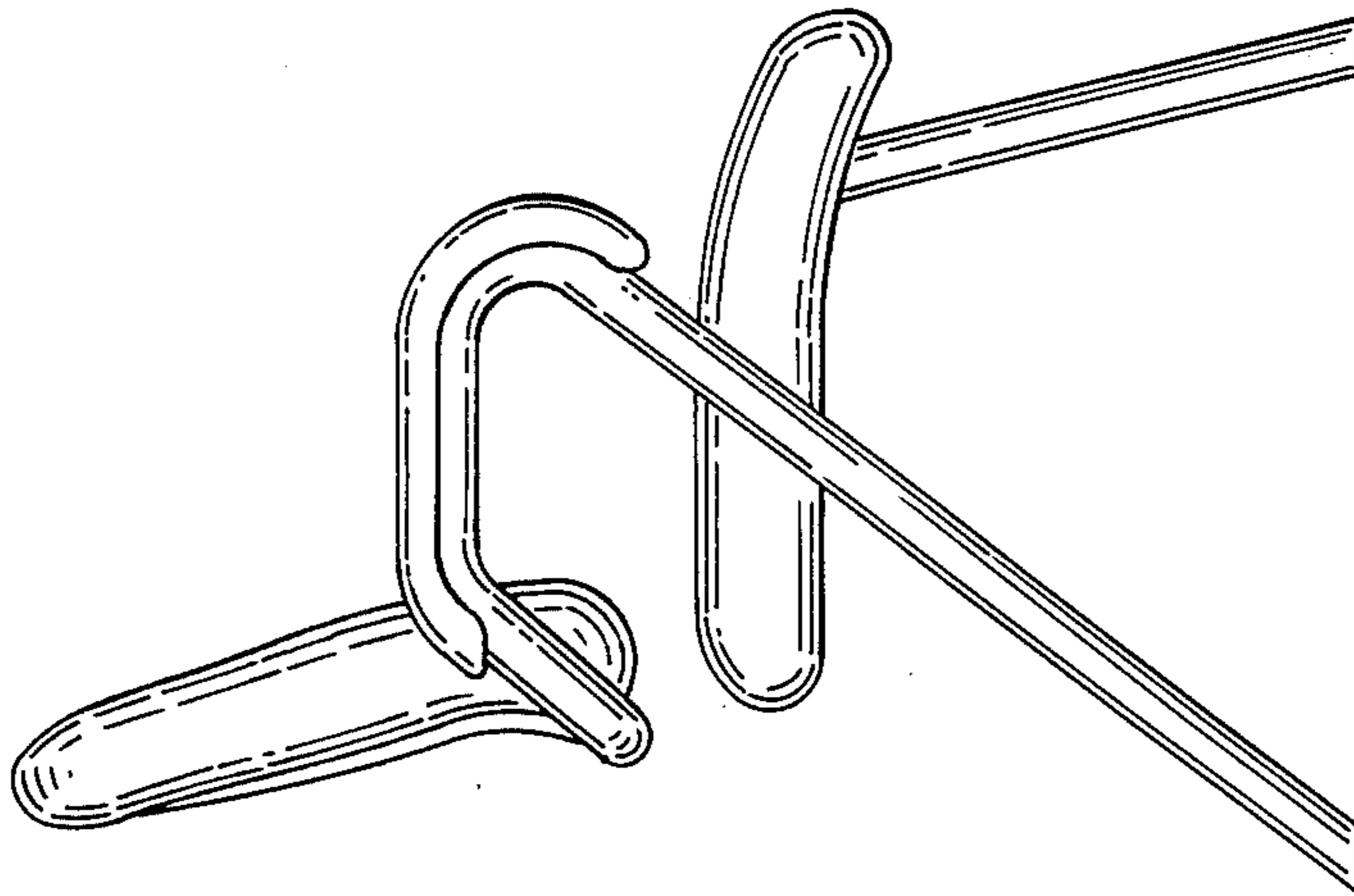


FIG-6-

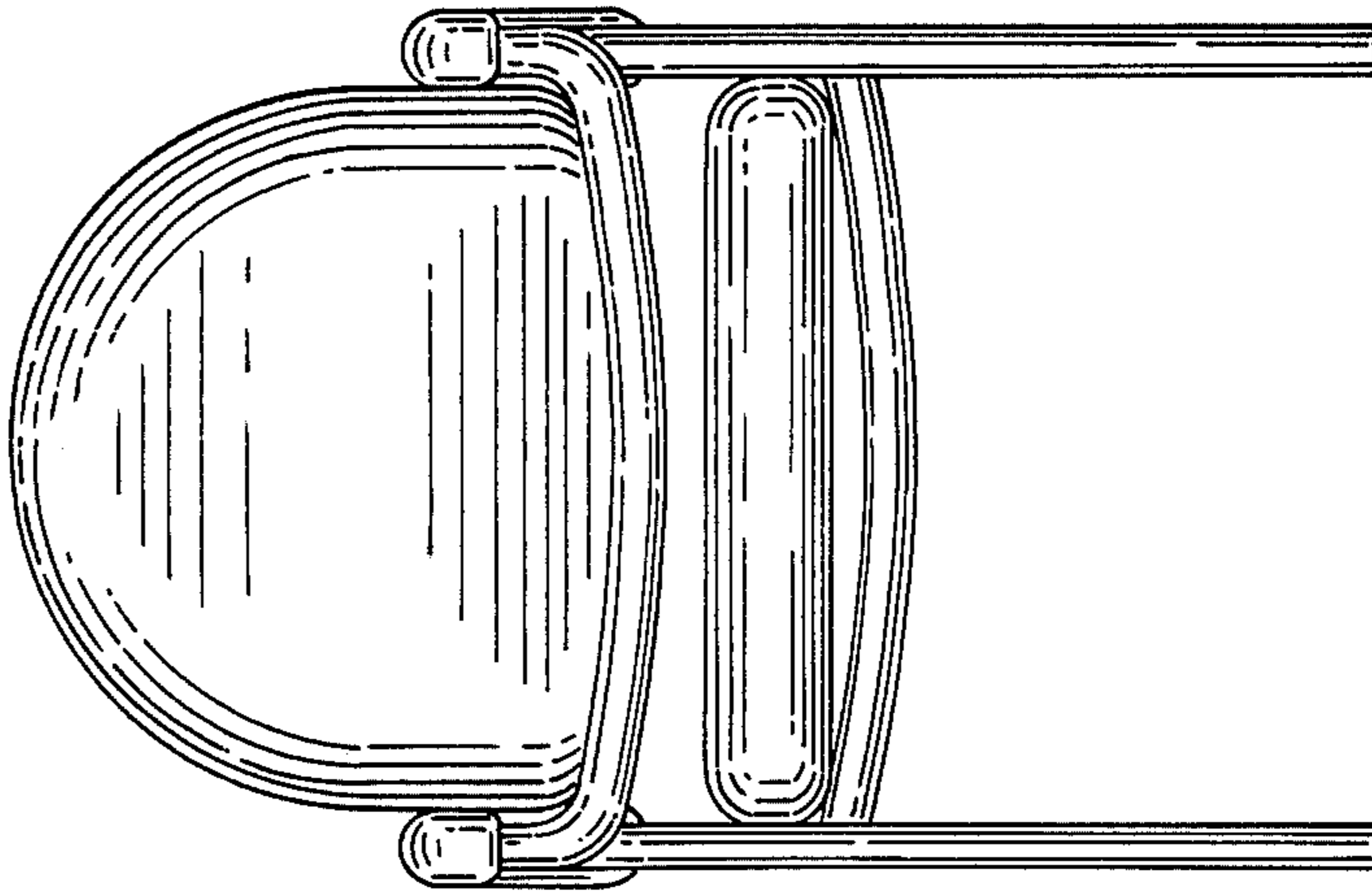


FIG-5-

