

[54] SEAT
[75] Inventor: **Randall P. Buhk**, Wyoming, Mich.
[73] Assignee: **Allsteel Inc.**, Aurora, Ill.
[**] Term: **14 Years**
[21] Appl. No.: **42,967**
[22] Filed: **Apr. 23, 1987**
[52] U.S. Cl. **D6/366; D6/501**
[58] Field of Search **D6/366, 379, 380, 360**

[56] **References Cited**

U.S. PATENT DOCUMENTS

D. 260,330 8/1981 Ruf D6/366
D. 279,241 6/1985 Diffrient D6/366

OTHER PUBLICATIONS

Interiors, May 1984, p. 19, Chair.
Interiors, Dec. 1970, p. 120, Chair, left center.
Schoner Wohnen, Feb. 1985, p. 145, Chair, top right.

Primary Examiner—Bruce W. Dunkins
Assistant Examiner—Ann Hunt
Attorney, Agent, or Firm—Lee, Mann, Smith,
McWilliams & Sweeney

[57] **CLAIM**

The ornamental design for a seat, as shown and described.

DESCRIPTION

FIG. 1 is a front perspective view of the seat showing my new design;
FIG. 2 is a left side elevational view thereof;
FIG. 3 is a top plan view thereof;
FIG. 4 is a bottom plan view thereof;
FIG. 5 is a front elevational view thereof;
FIG. 6 is a rear elevational view thereof; and
FIG. 7 is a right side elevational view thereof.
The broken line showing of a pedestal base in the drawings is for illustrative purposes only and forms no part of the claimed design.

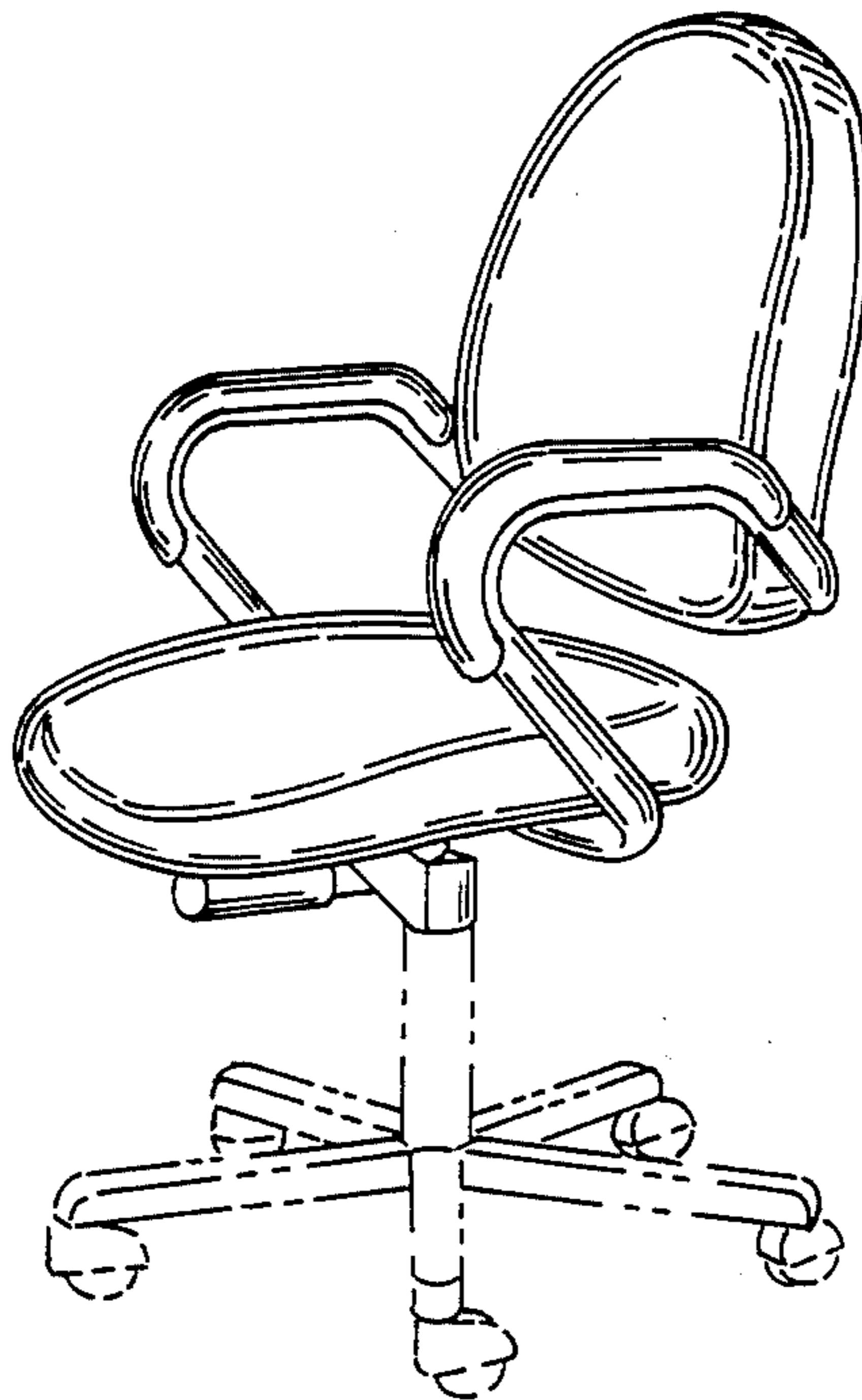


FIG. 1.

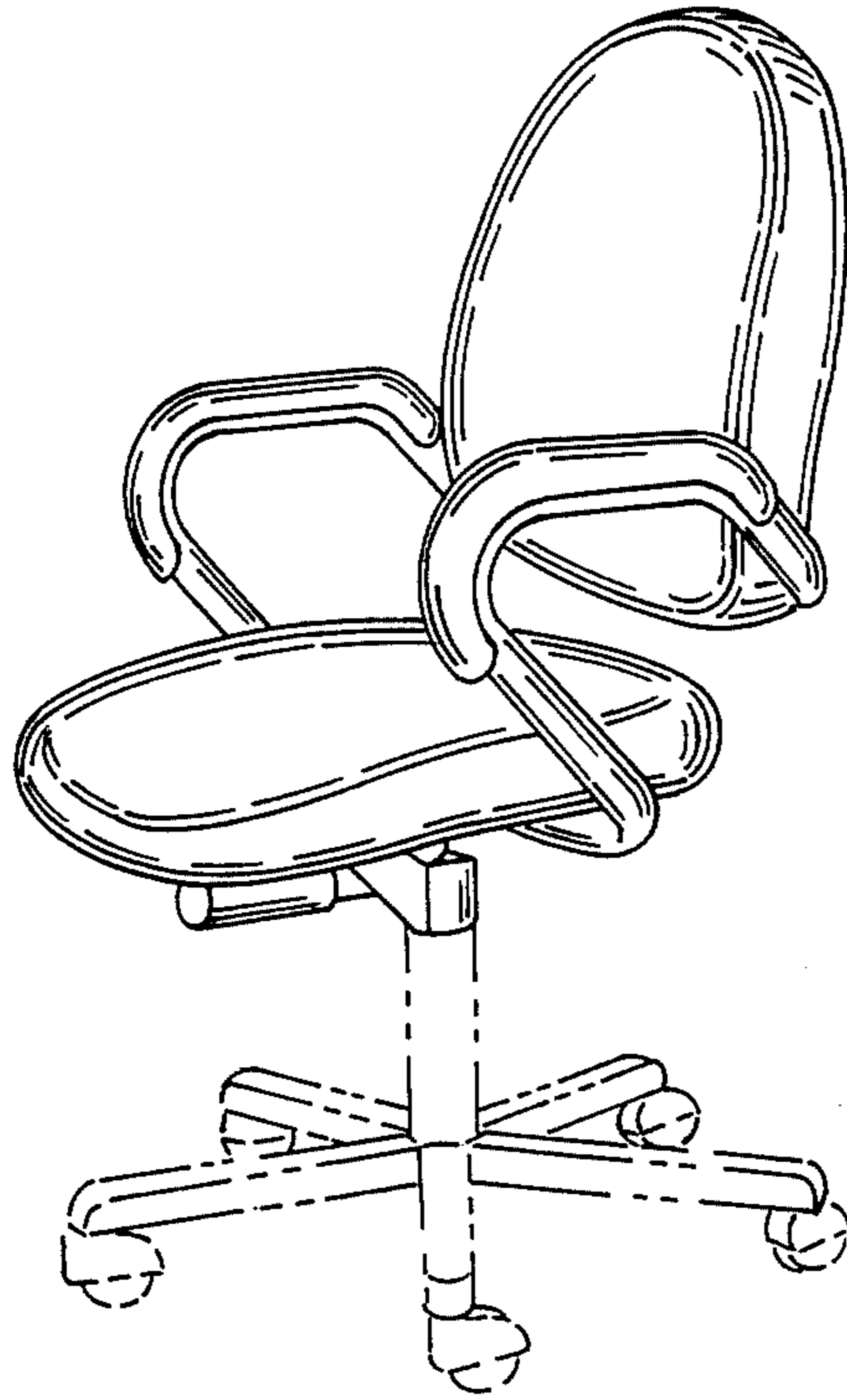


FIG. 2.

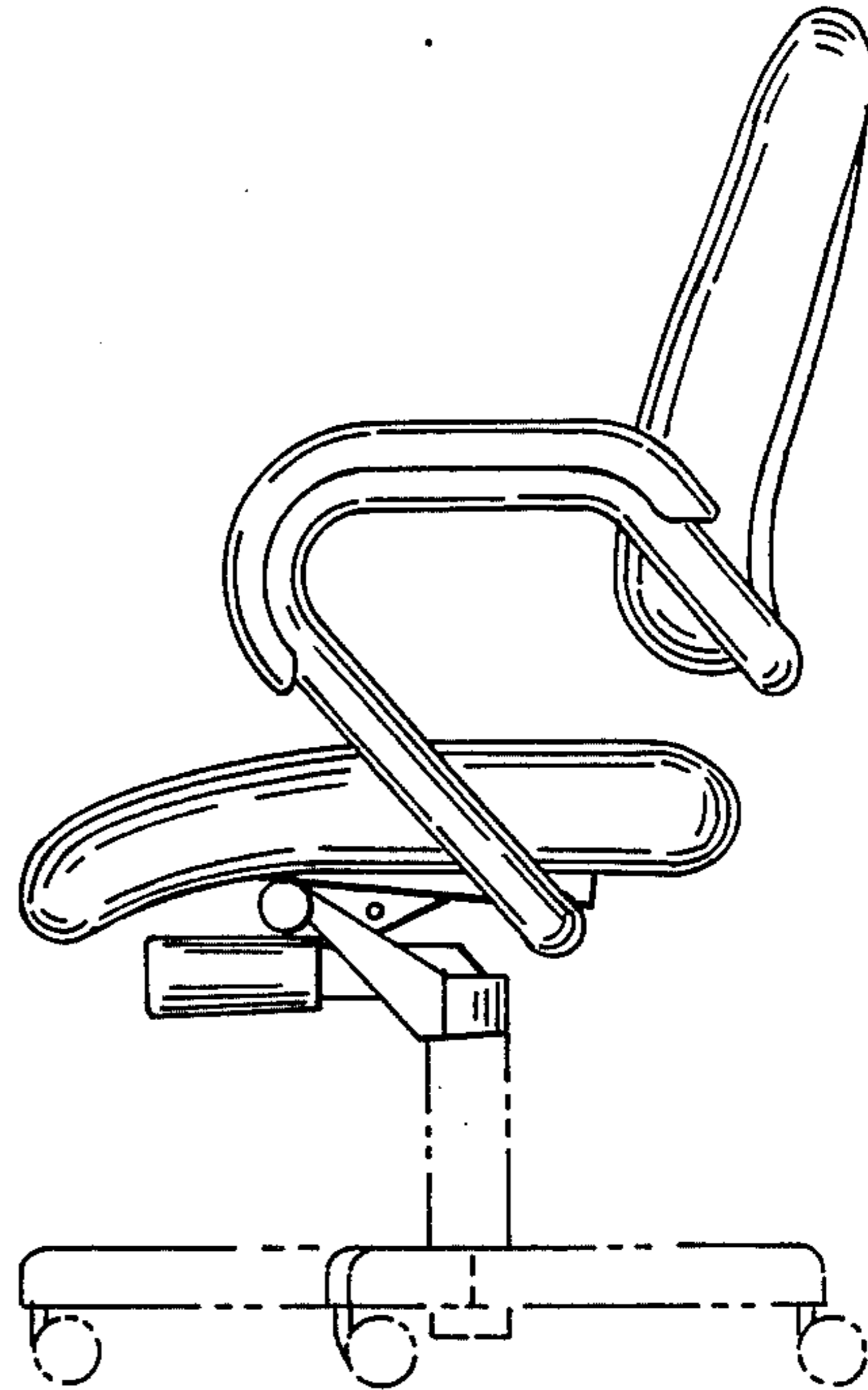


FIG. 3.

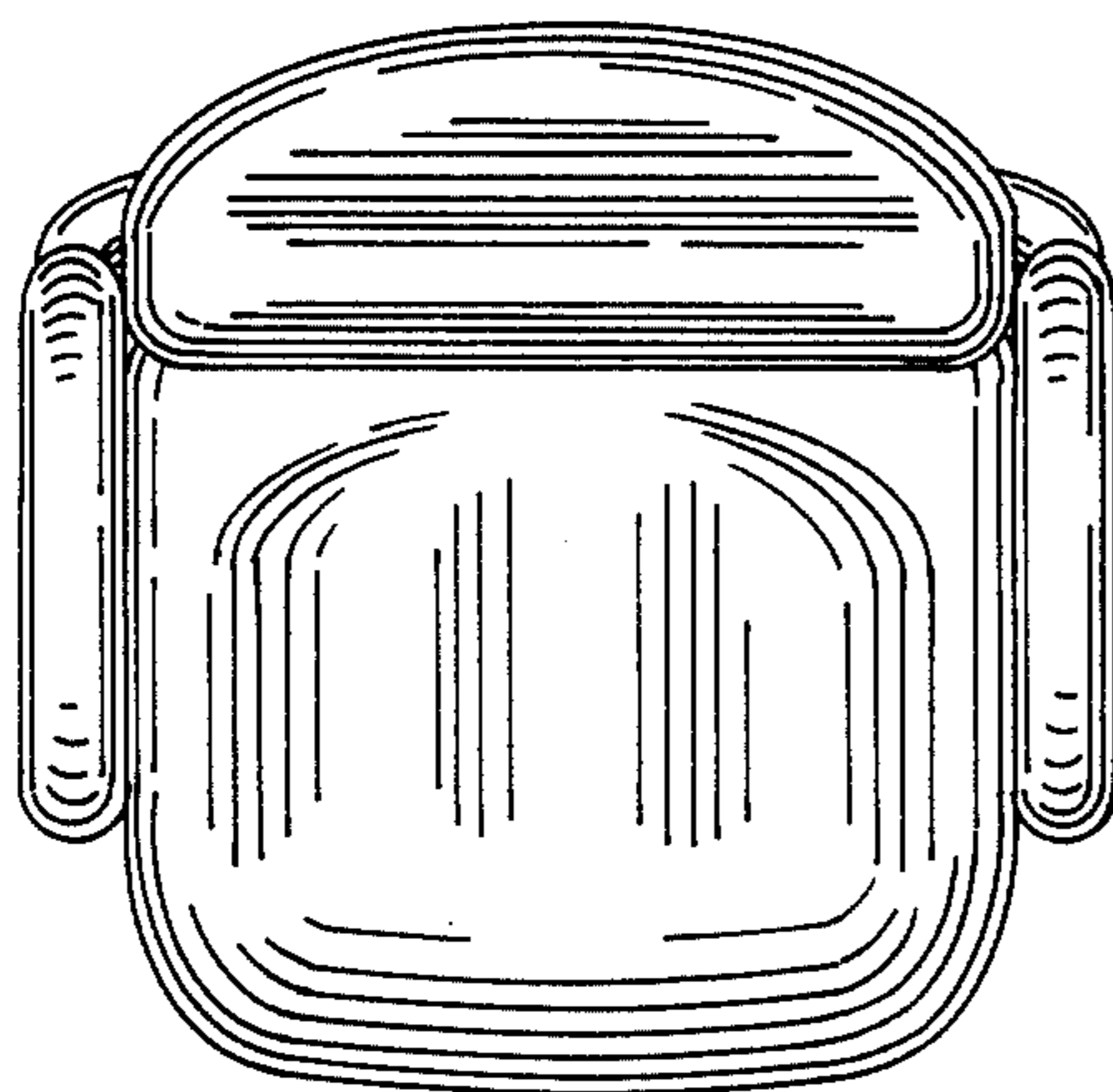


FIG. 4.

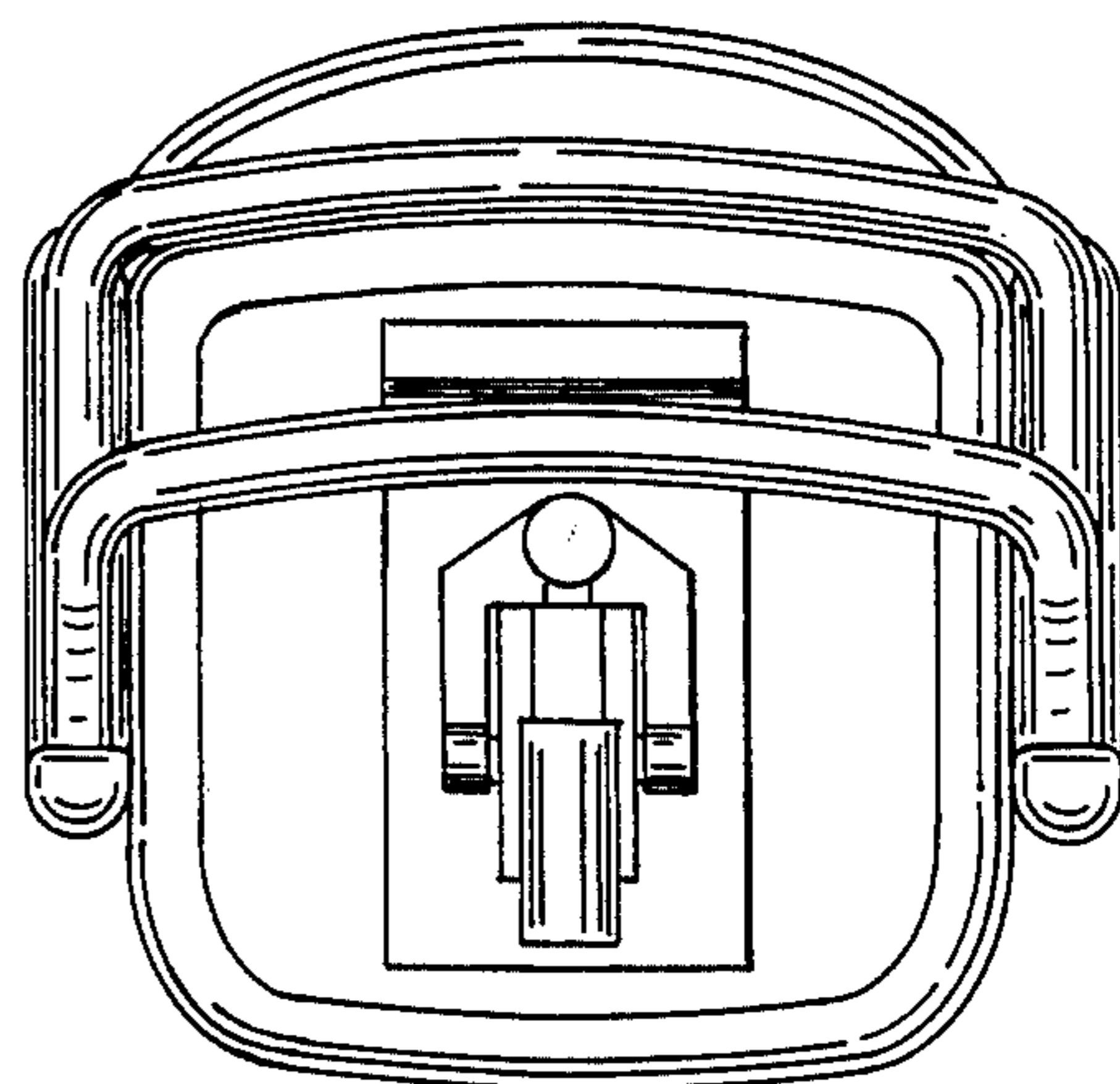


FIG. 5-

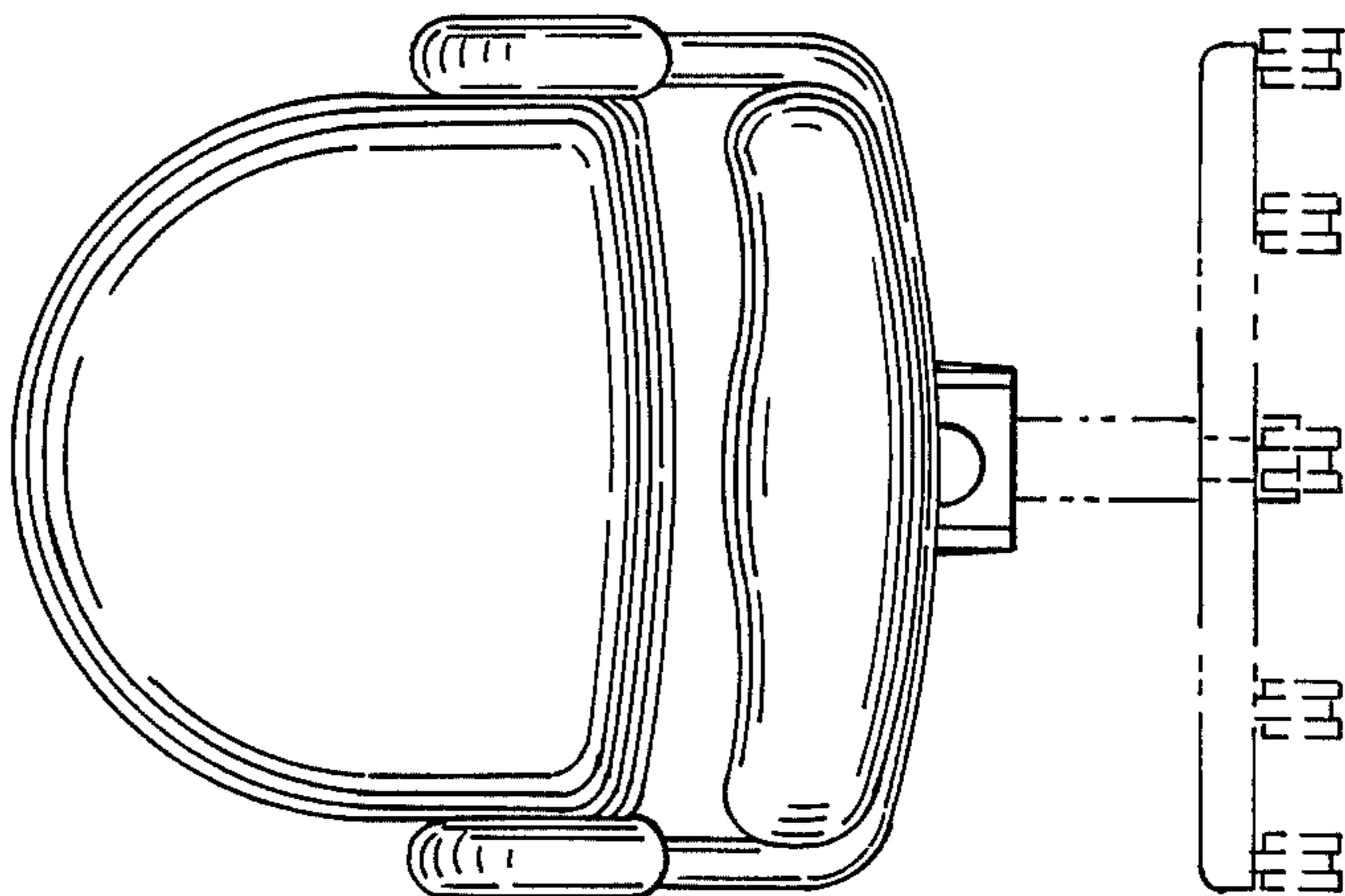


FIG. 6-

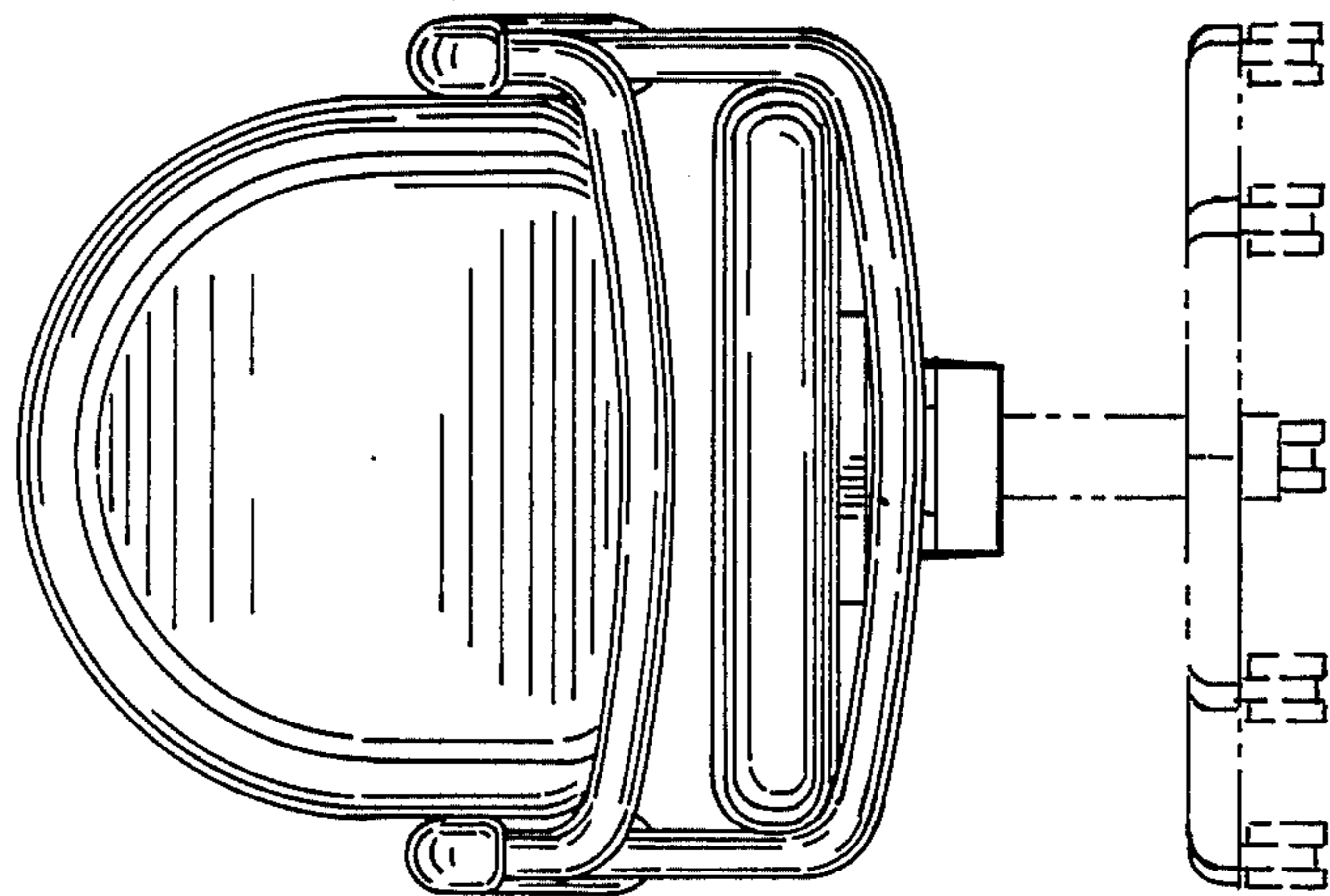


FIG. 7-

