

[54] SEAT
[75] Inventor: **Randall P. Buhk**, Wyoming, Mich.
[73] Assignee: **Allsteel Inc.**, Aurora, Ill.
[**] Term: **14 Years**
[21] Appl. No.: **41,748**
[22] Filed: **Apr. 23, 1987**
[52] U.S. Cl. **D6/366; D6/501**
[58] Field of Search **D6/360, 366, 379, 380**

[56] **References Cited**
U.S. PATENT DOCUMENTS
D. 184,855 4/1959 Cramer D6/380
D. 260,330 8/1981 Ruf D6/366
D. 279,241 6/1985 Diffrient D6/366

OTHER PUBLICATIONS
Interiors, May 1984, p. 19, Chair.

Primary Examiner—Bruce W. Dunkins
Assistant Examiner—Ann Hunt
Attorney, Agent, or Firm—Lee, Mann, Smith,
McWilliams & Sweeney

[57] **CLAIM**
The ornamental design for a seat, as shown and described.

DESCRIPTION
FIG. 1 is a front perspective view of the seat, showing my design;
FIG. 2 is a left side elevational view thereof;
FIG. 3 is a top plan view thereof;
FIG. 4 is a bottom plan view thereof;
FIG. 5 is a front elevational view thereof;
FIG. 6 is a rear elevational view thereof; and
FIG. 7 is a right side elevational view thereof.
The broken line showing of a pedestal base in the drawings is for illustrative purposes only and forms no part of the claimed design.

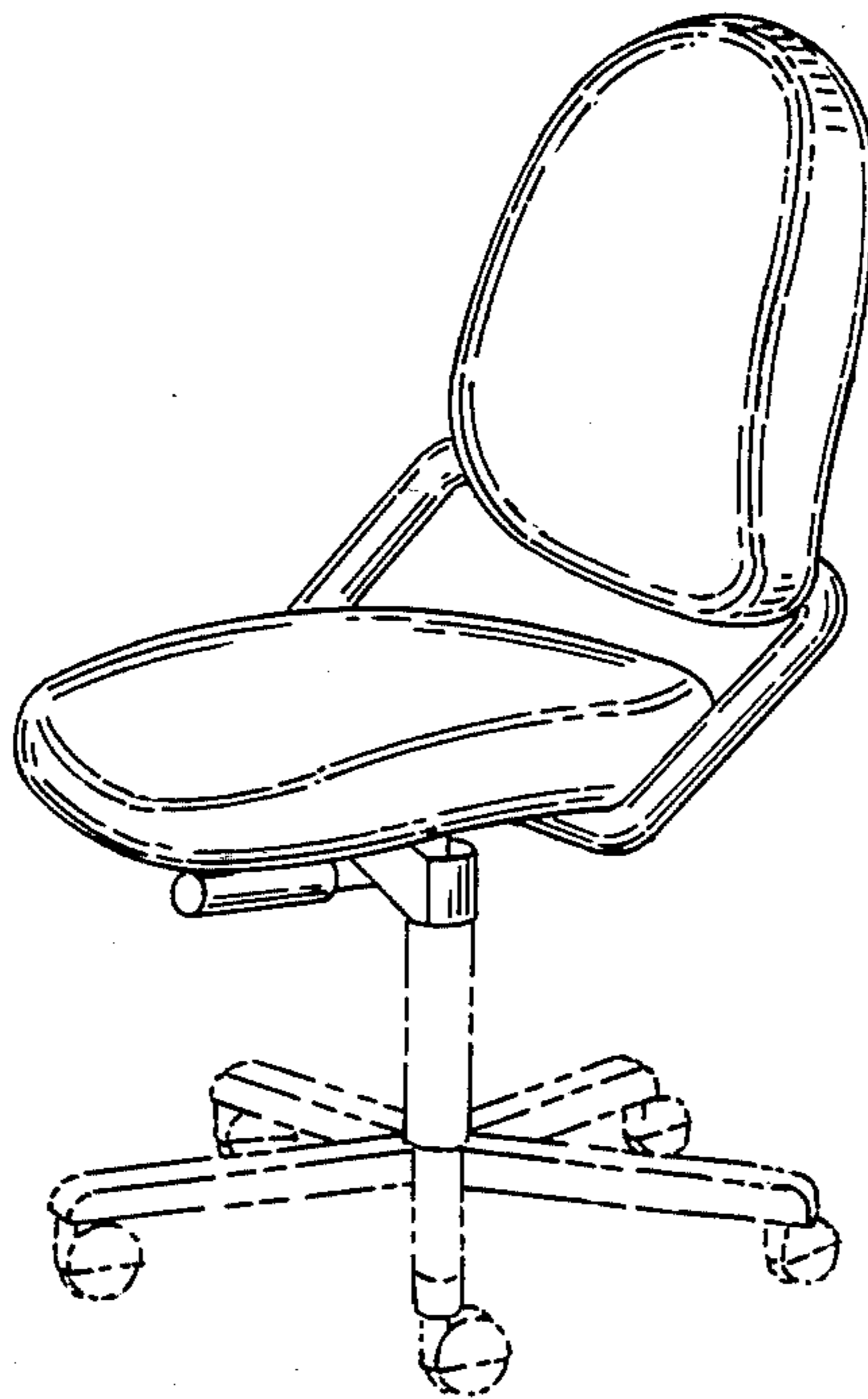


FIG. 1

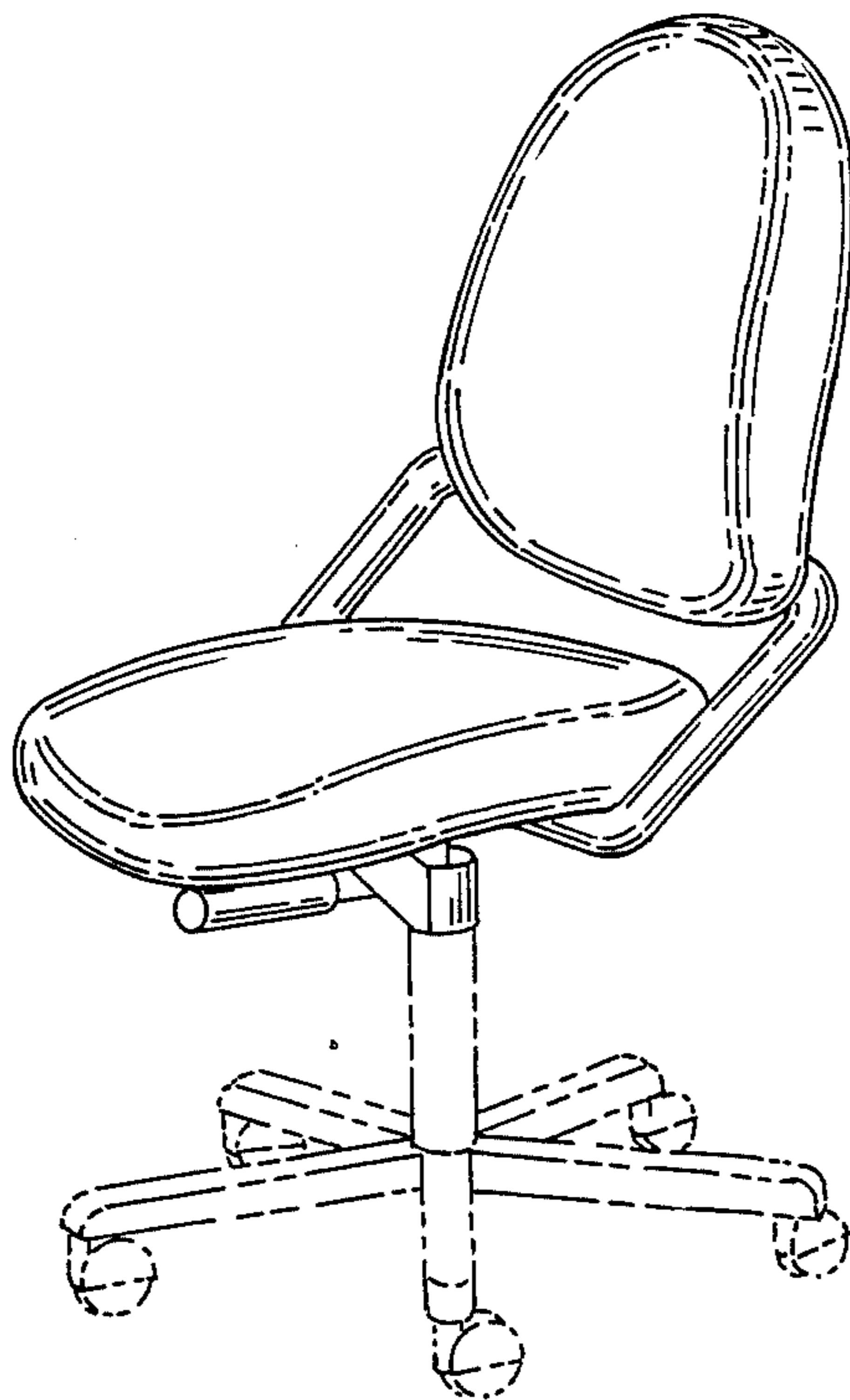


FIG. 2

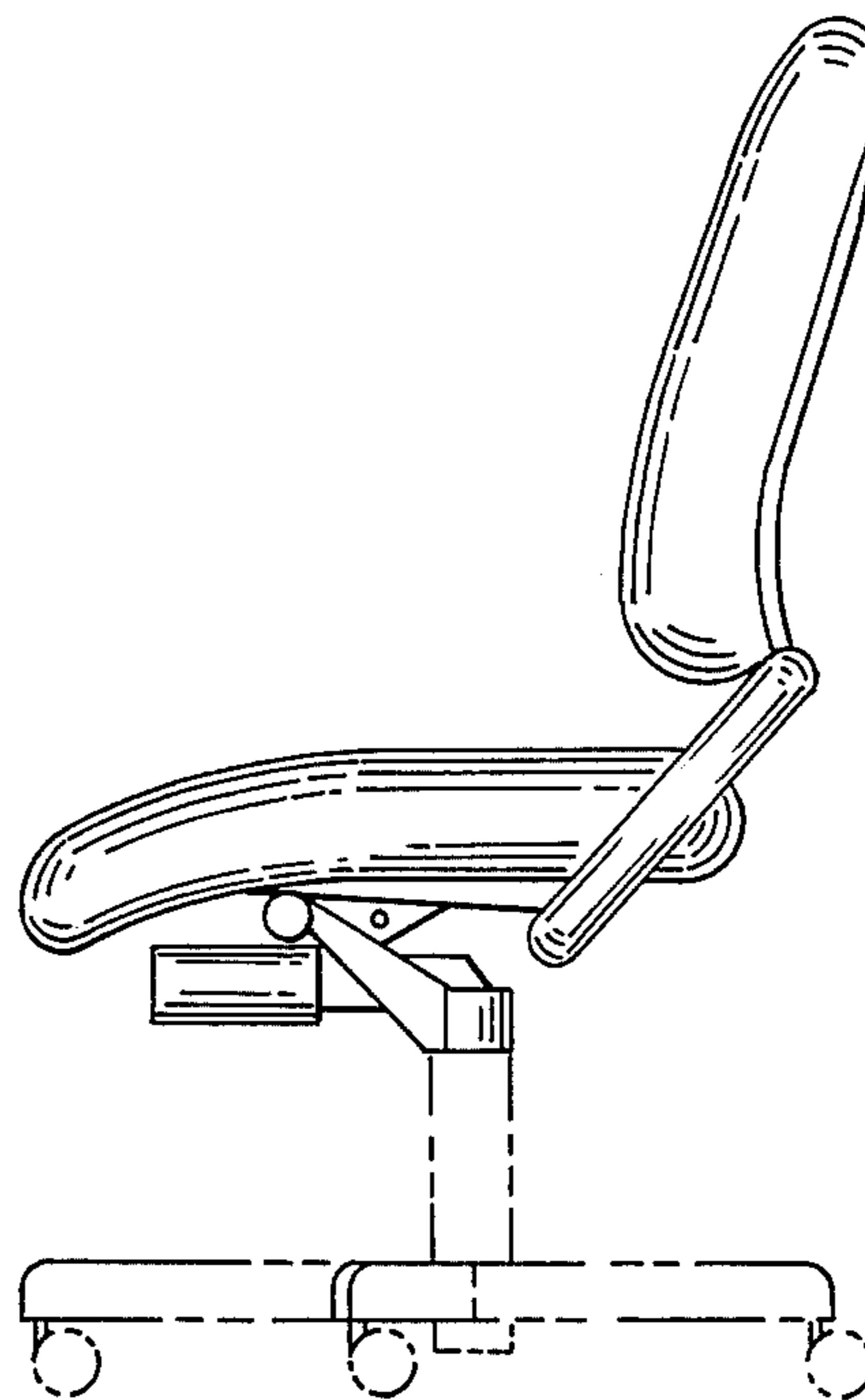


FIG. 3

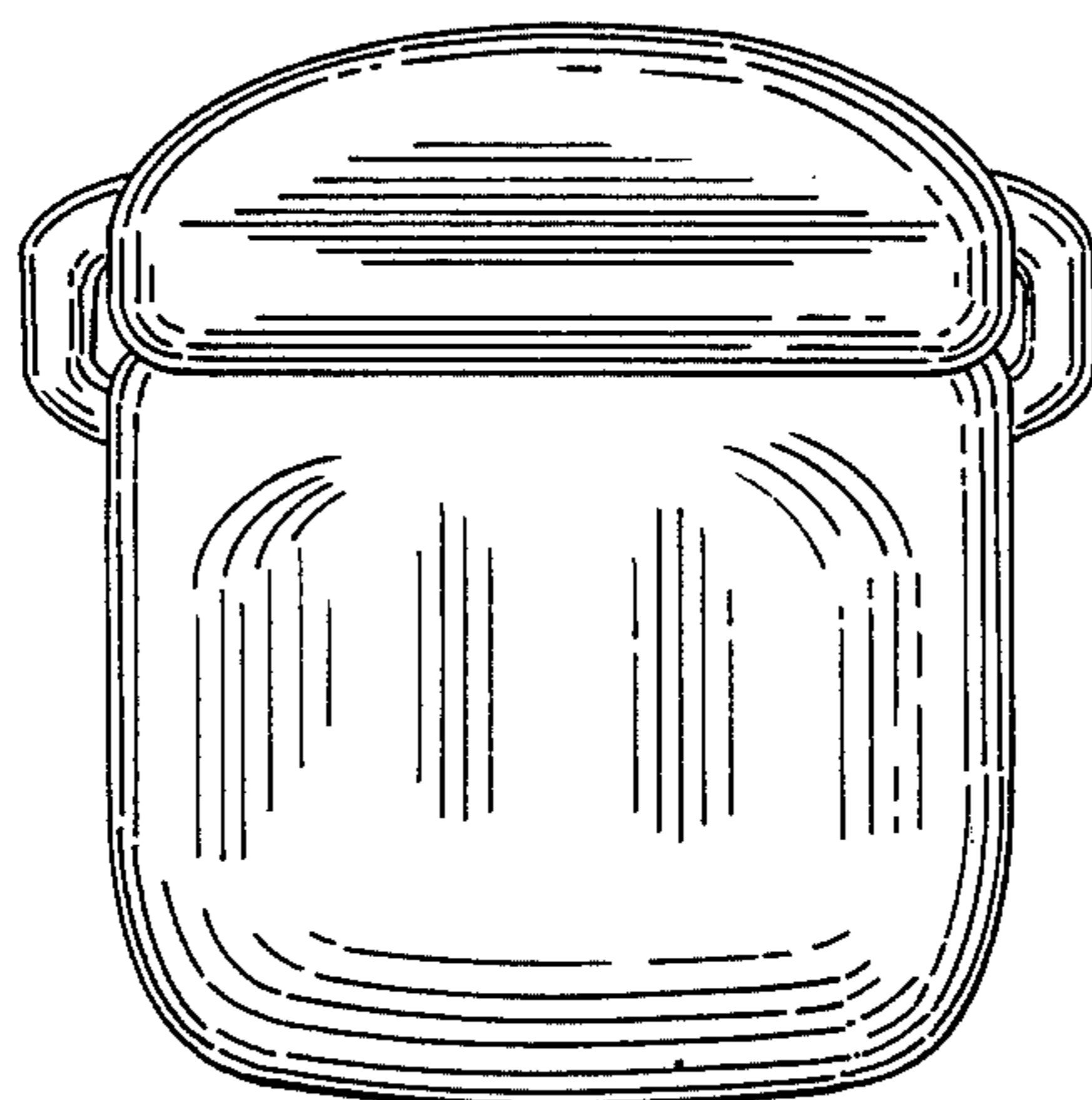


FIG. 4

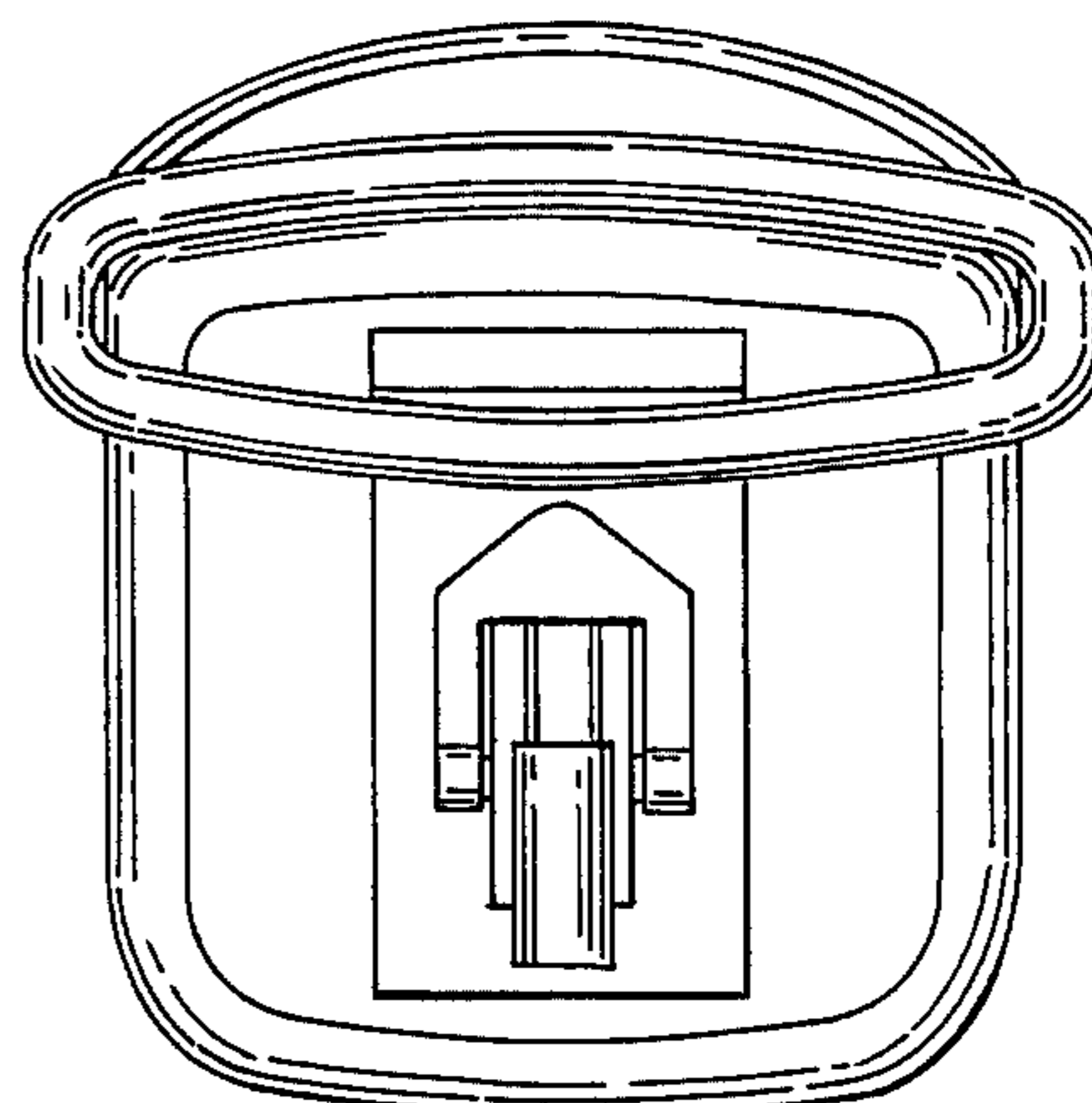


FIG-5-

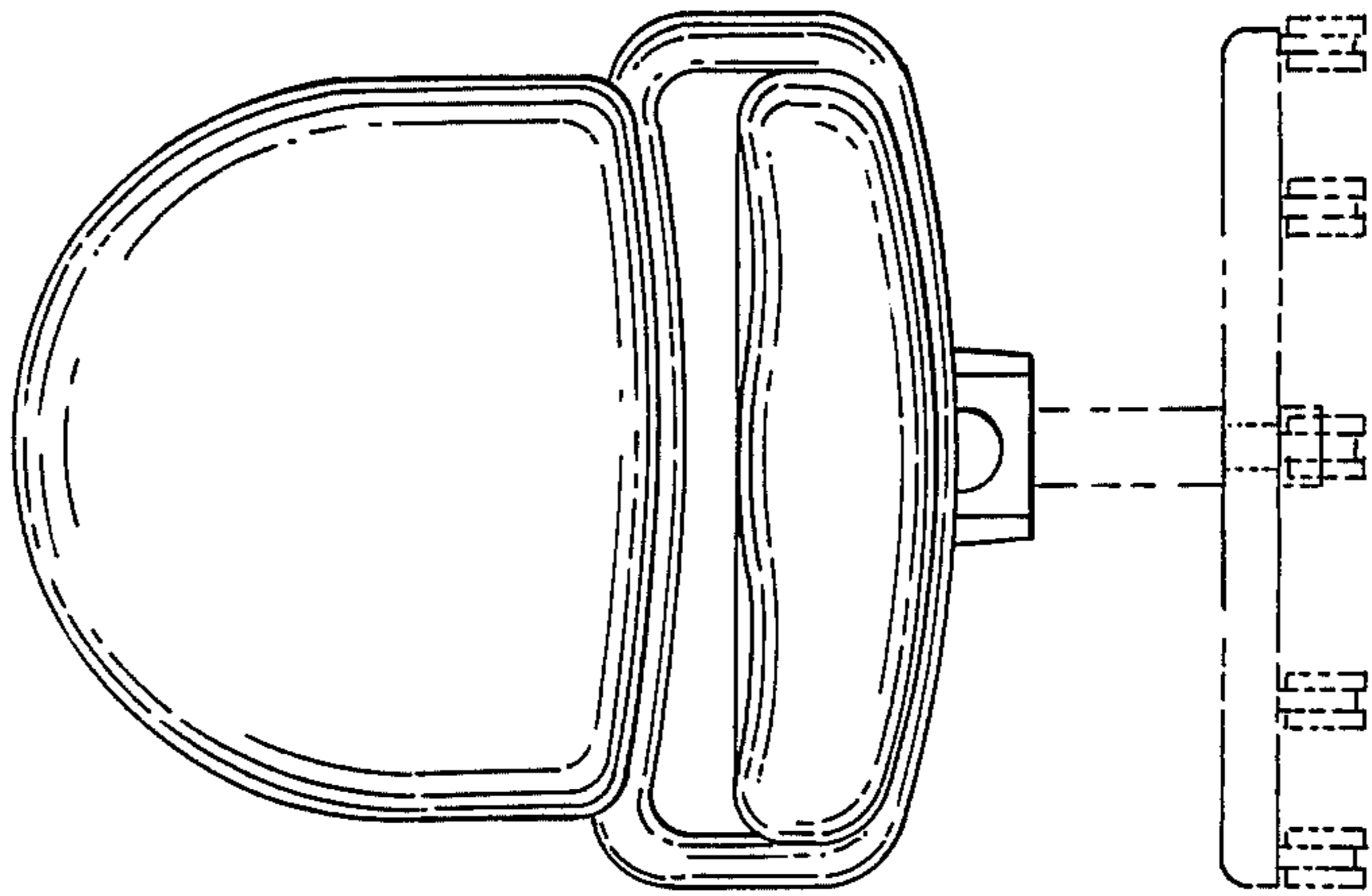


FIG-6-

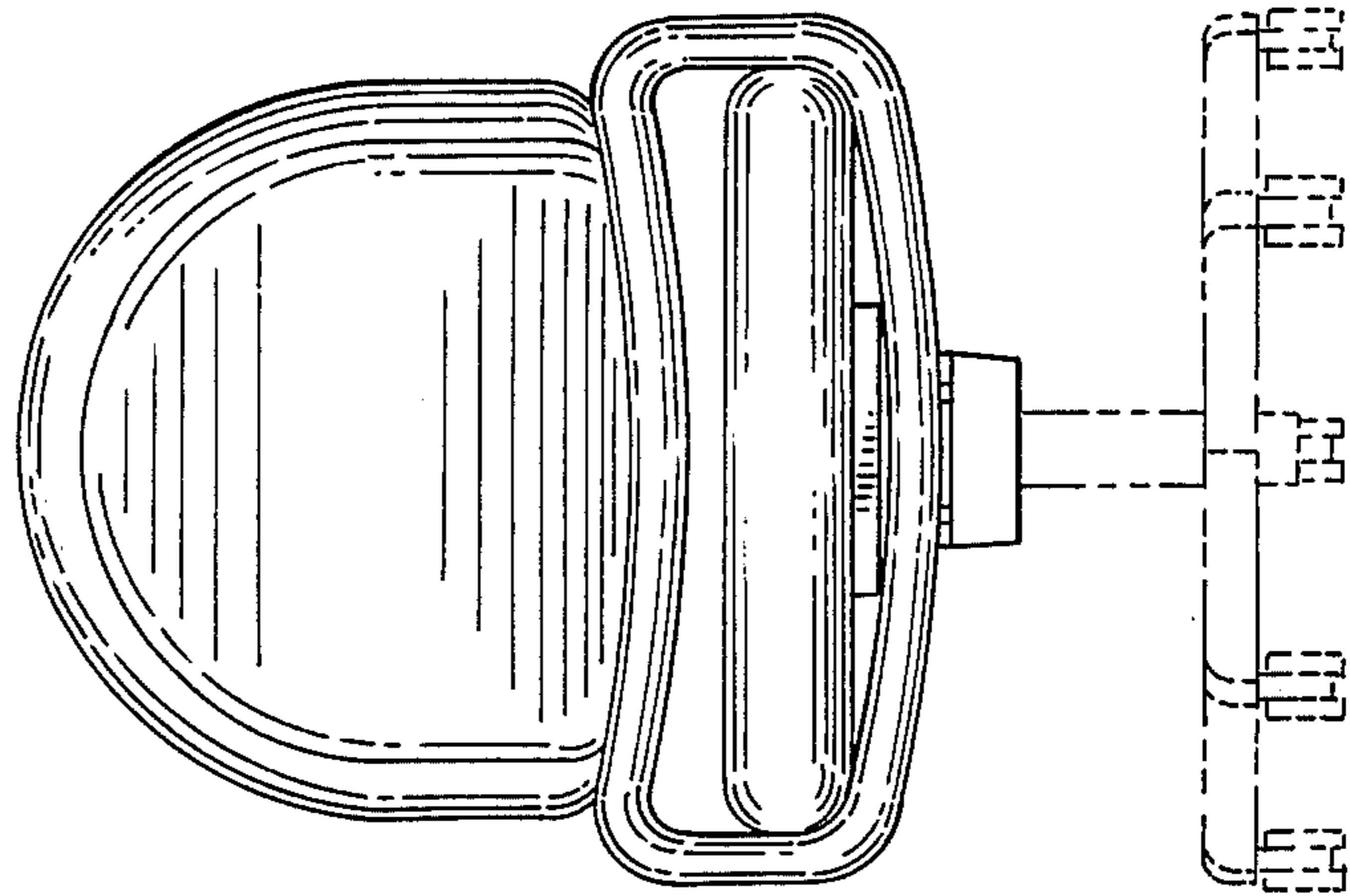


FIG-7-

