

[54] **SWIVEL ARM CHAIR**

[75] **Inventor: Randall P. Buhk, Wyoming, Mich.**

[73] **Assignee: Allsteel Inc., Aurora, Ill.**

[**] **Term: 14 Years**

[21] **Appl. No.: 42,872**

[22] **Filed: Apr. 23, 1987**

[52] **U.S. Cl. D6/360; D6/366**

[58] **Field of Search D6/360, 366, 379, 380**

[56] **References Cited**

U.S. PATENT DOCUMENTS

- D. 260,330 8/1981 Ruf D6/366
- D. 279,241 6/1985 Diffrient D6/366
- D. 282,762 5/1986 Caruso D6/366

OTHER PUBLICATIONS

Interiors, Dec. 1970, p. 120, Chair, center left.

Interiors, May 1984, p. 19, Chair.

Schoner Wohnen, Feb. 1985, p. 145, Chair, right top corner.

Primary Examiner—Bruce W. Dunkins

Assistant Examiner—Ann Hunt

Attorney, Agent, or Firm—Lee, Mann, Smith,
McWilliams & Sweeney

[57] **CLAIM**

The ornamental design for a swivel arm chair, as shown and described.

DESCRIPTION

FIG. 1 is a front perspective view of the swivel arm chair, showing my new design;

FIG. 2 is a left side elevational view thereof;

FIG. 3 is a top plan view thereof;

FIG. 4 is a bottom plan view thereof;

FIG. 5 is a front elevational view thereof;

FIG. 6 is a rear elevational view thereof; and

FIG. 7 is a right side elevational view thereof.

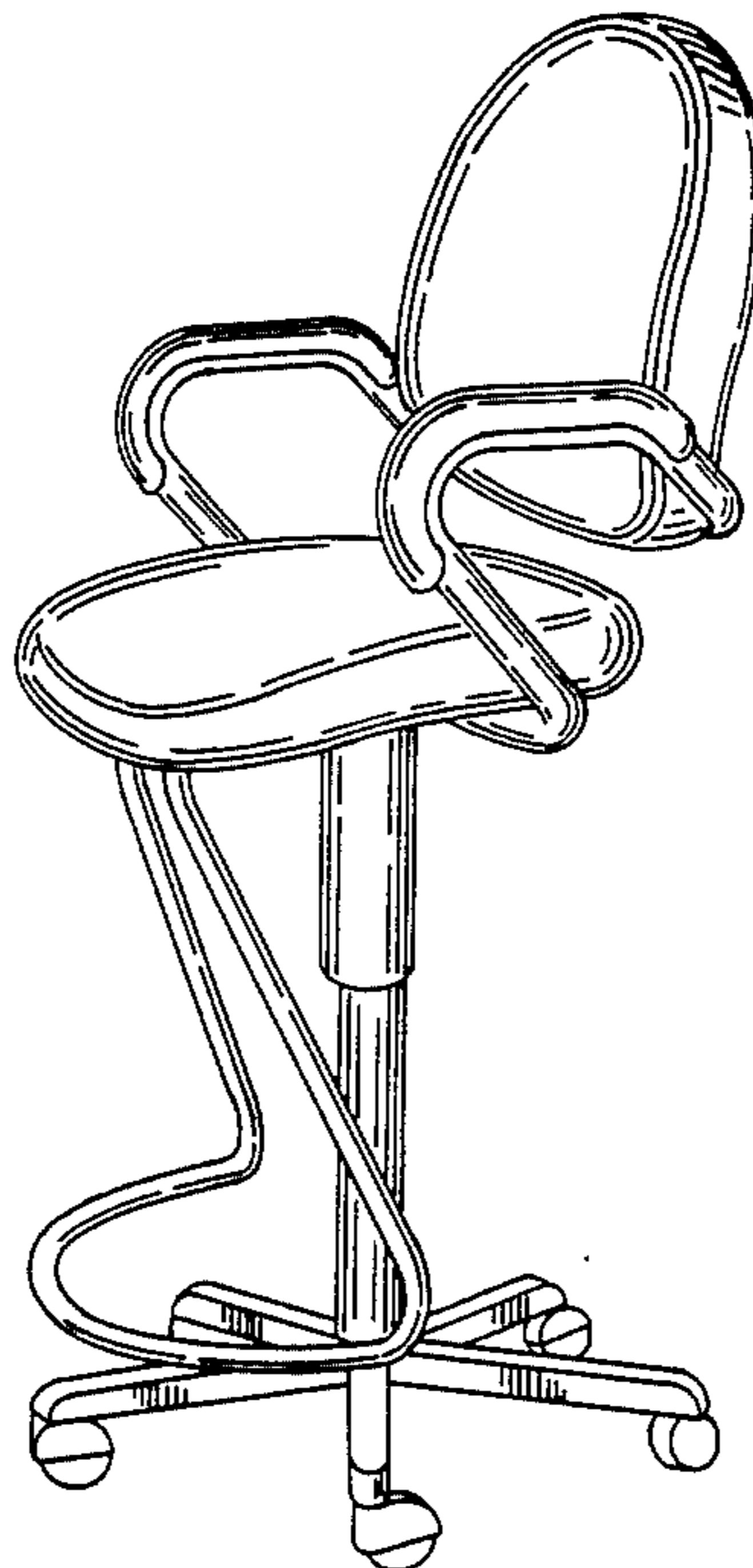


FIG. 1.

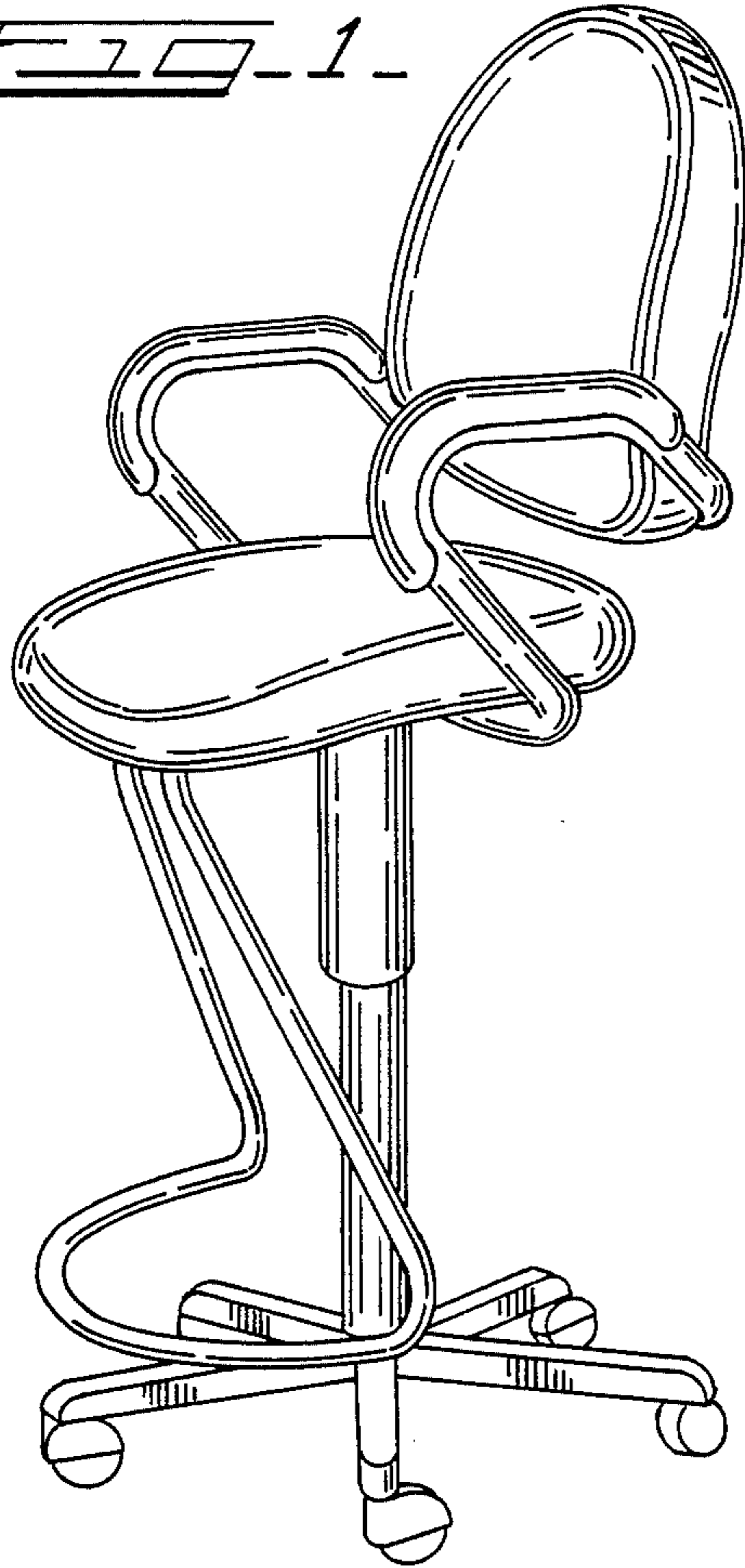


FIG. 2.

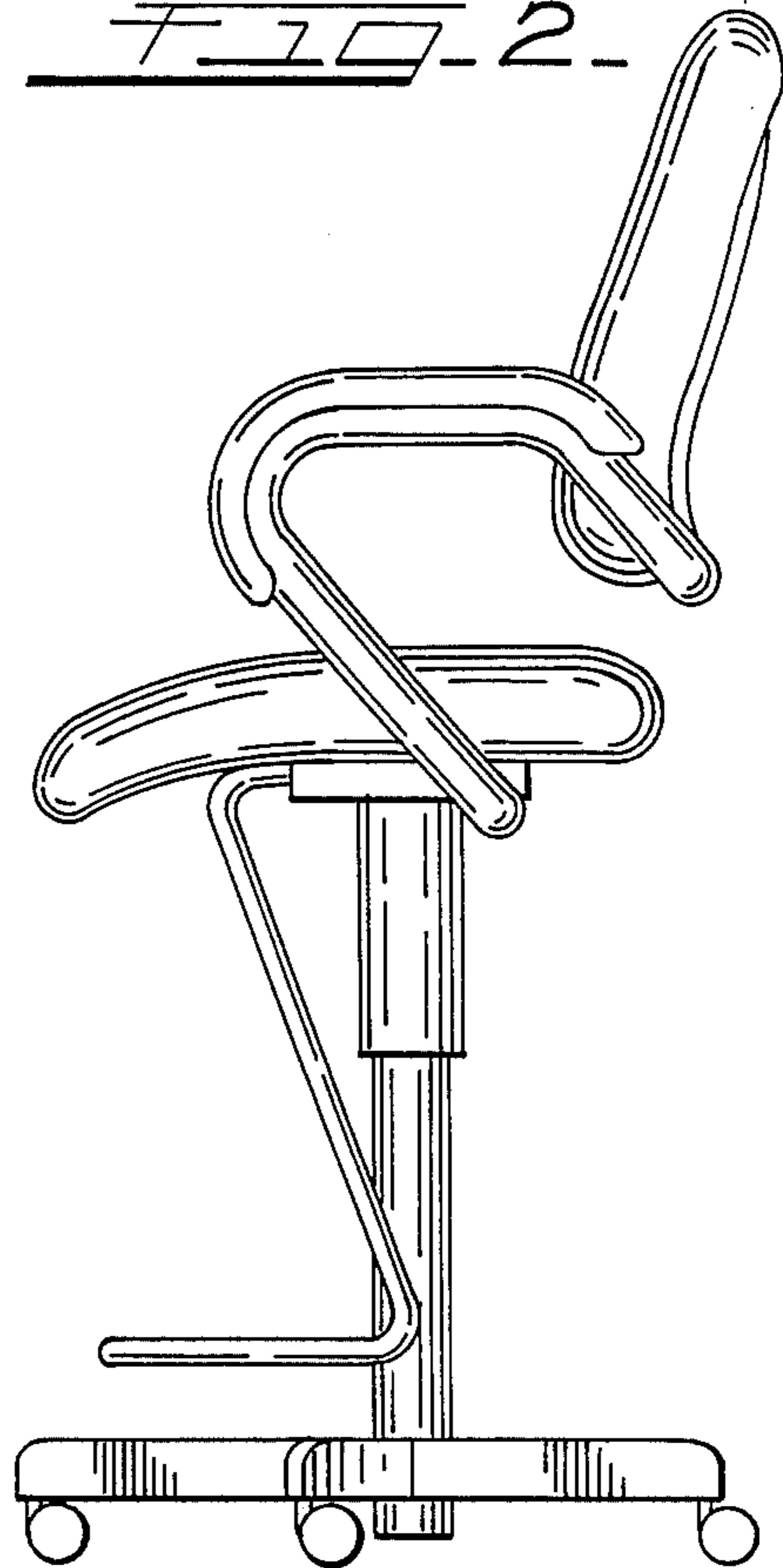


FIG. 3.

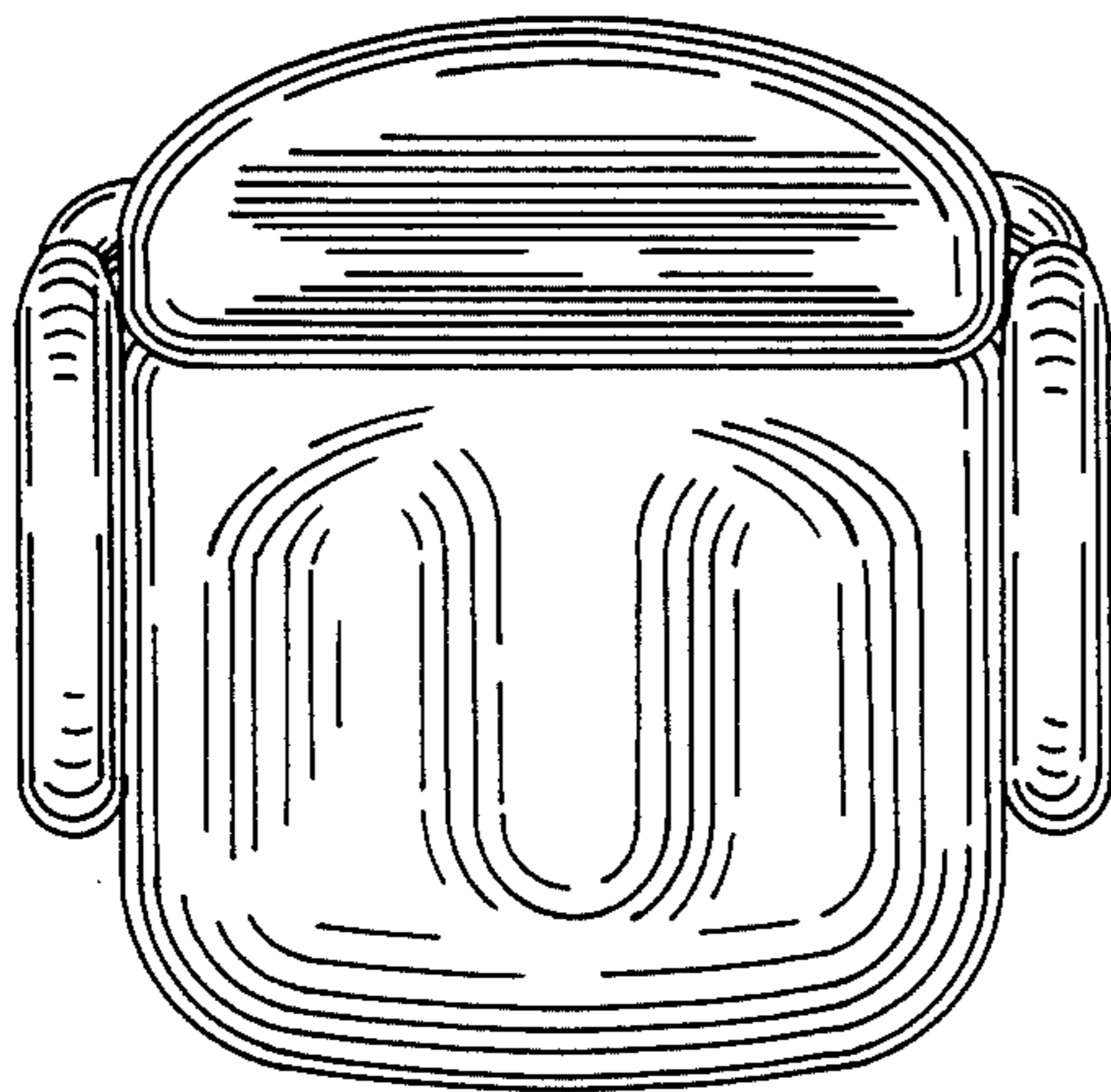


FIG. 4.

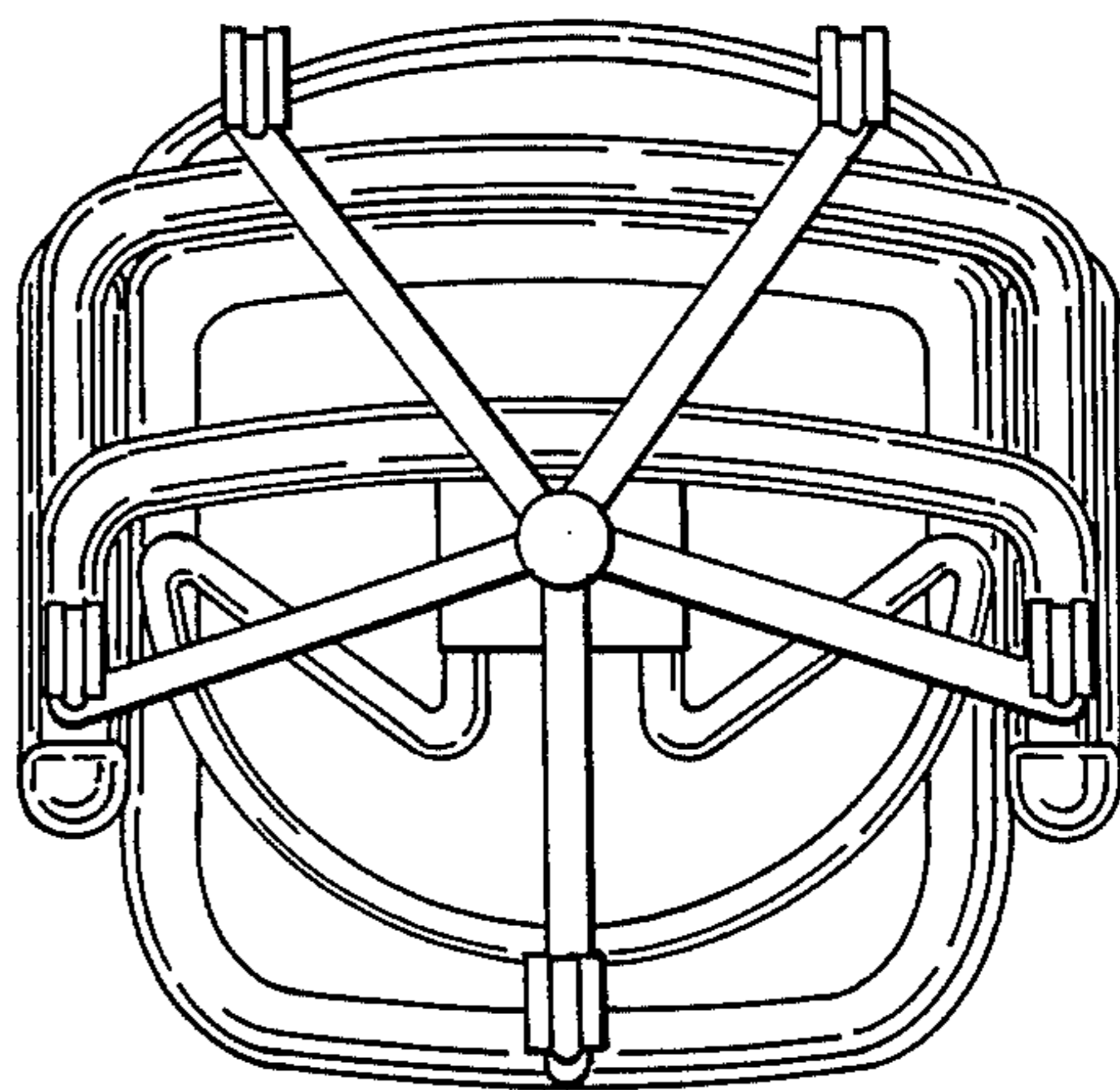


FIG. 5-

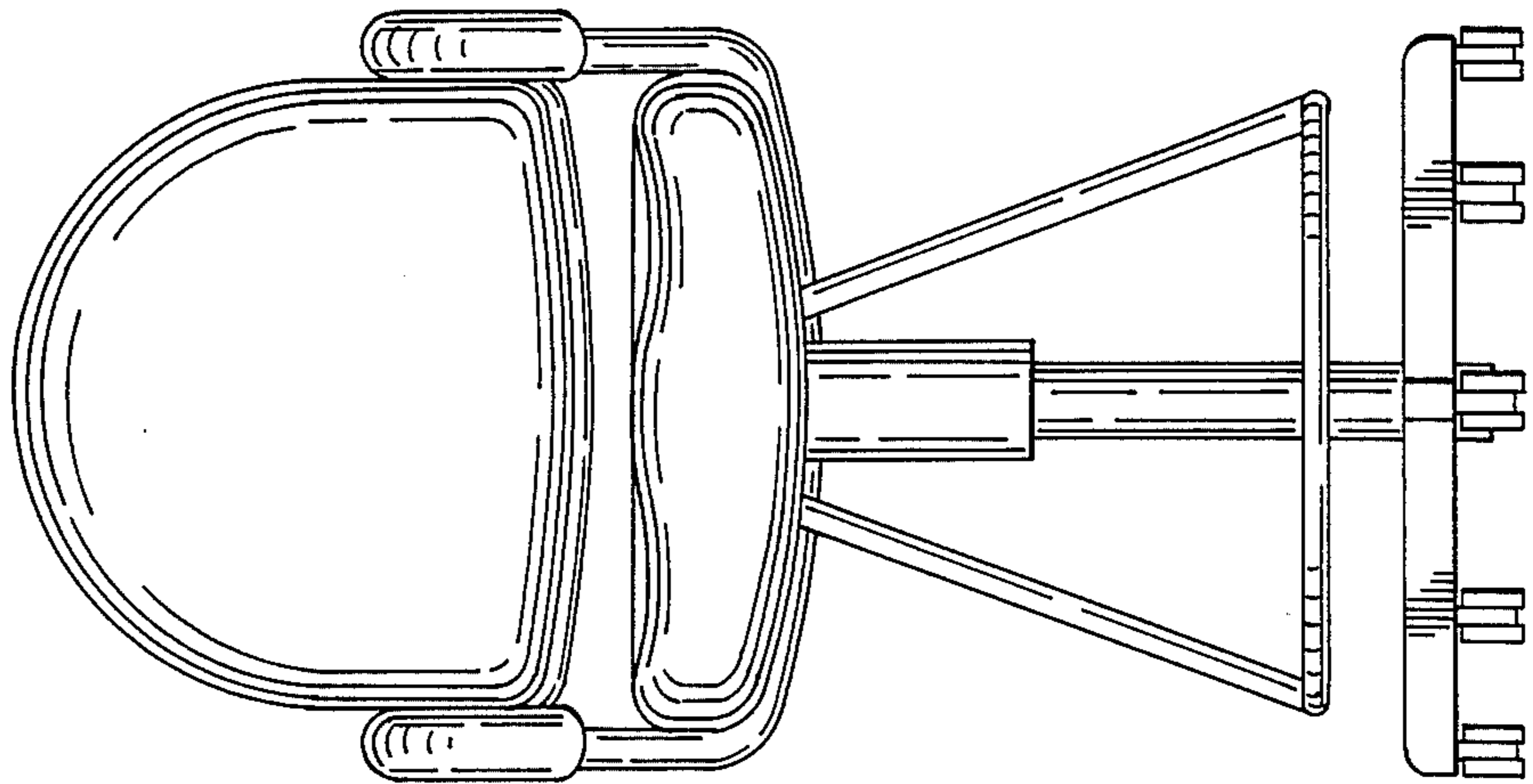


FIG. 6-

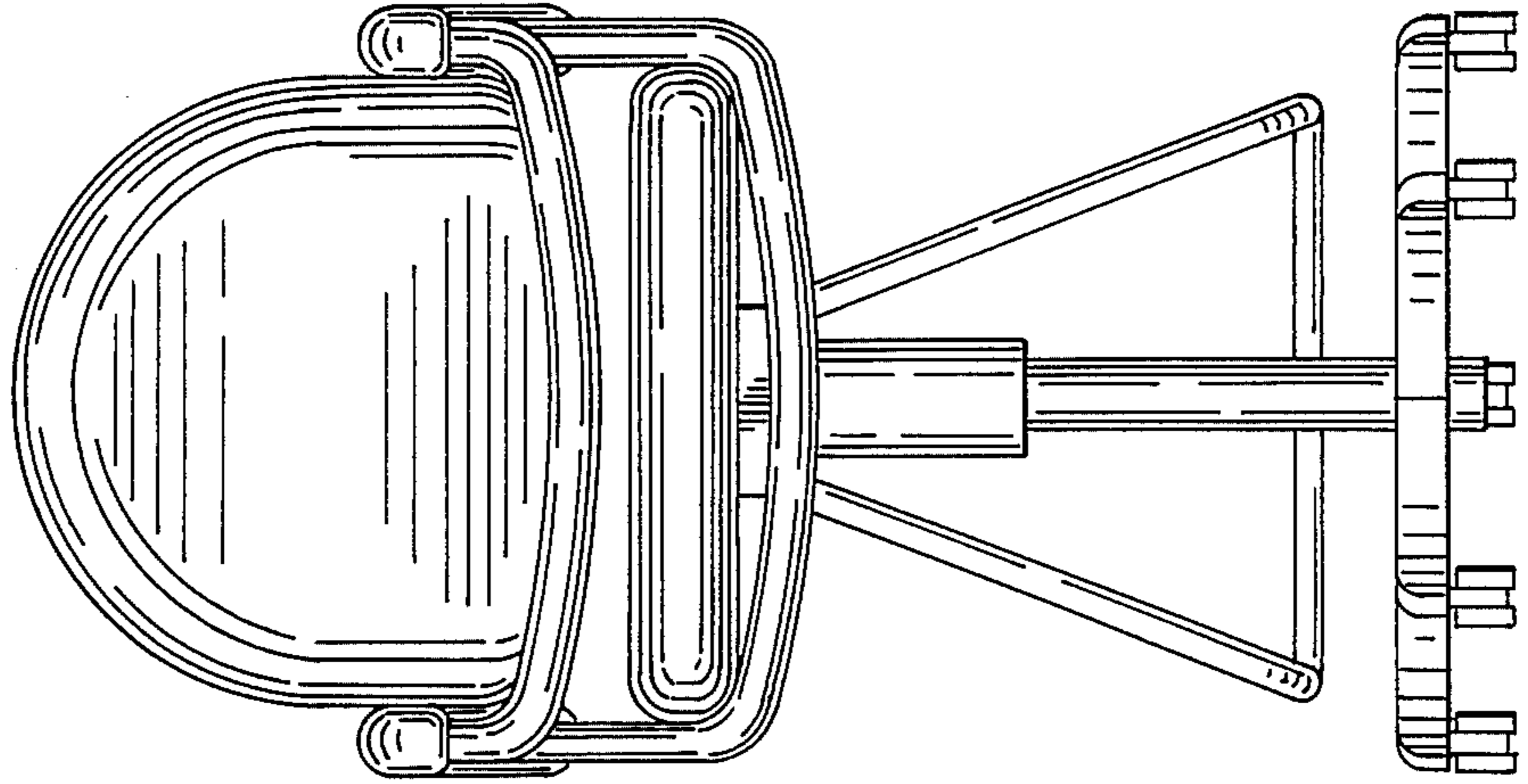


FIG. 7-

