

[54] **SWIVEL CHAIR**

[75] **Inventor: Randall P. Buhk, Wyoming, Mich.**

[73] **Assignee: Allsteel Inc., Aurora, Ill.**

[\*\*] **Term: 14 Years**

[21] **Appl. No.: 43,260**

[22] **Filed: Apr. 23, 1987**

[52] **U.S. Cl. .... D6/360; D6/366**

[58] **Field of Search ..... D6/360, 366, 379, 380**

[56] **References Cited**

**U.S. PATENT DOCUMENTS**

D. 184,855	4/1959	Cramer .....	D6/380
D. 260,330	8/1981	Ruf .....	D6/366
D. 279,241	6/1985	Diffrient .....	D6/366
D. 283,762	5/1986	Caruso .....	D6/366

**OTHER PUBLICATIONS**

Interiors, 8/1976, p. 22, Chair, bottom left corner.  
Interiors, May 1984, p. 19, Chair.

*Primary Examiner*—Bruce W. Dunkins  
*Assistant Examiner*—Ann Hunt  
*Attorney, Agent, or Firm*—Lee, Mann, Smith,  
McWilliams & Sweeney

[57] **CLAIM**

The ornamental design for a swivel chair, as shown and described.

**DESCRIPTION**

FIG. 1 is a front perspective view of the swivel chair, showing my new design;  
FIG. 2 is a left side elevational view thereof;  
FIG. 3 is a top plan view thereof;  
FIG. 4 is a bottom plan view thereof;  
FIG. 5 is a front elevational view thereof;  
FIG. 6 is a rear elevational view thereof; and  
FIG. 7 is a right side elevational view thereof.

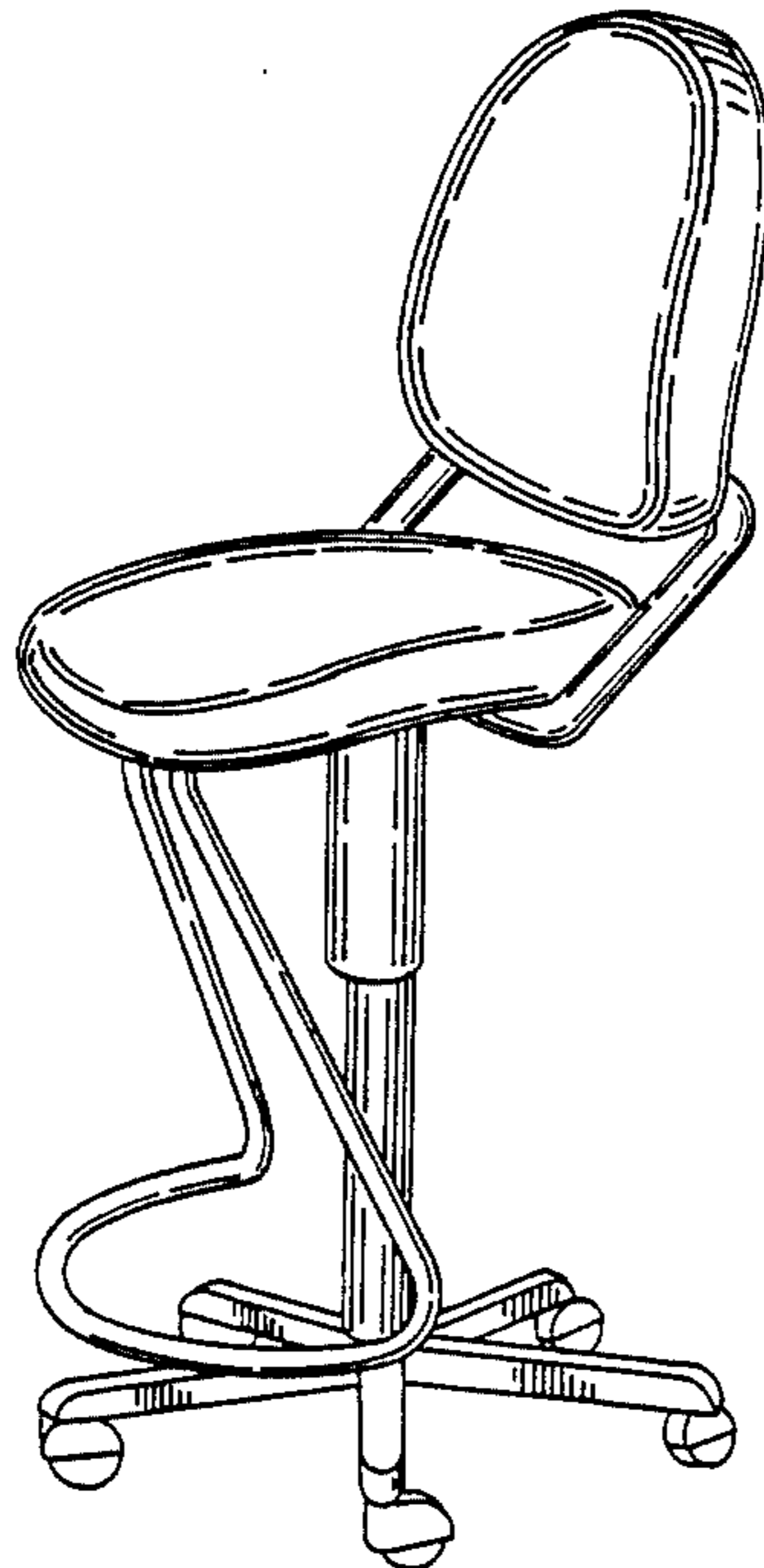


FIG. 1.

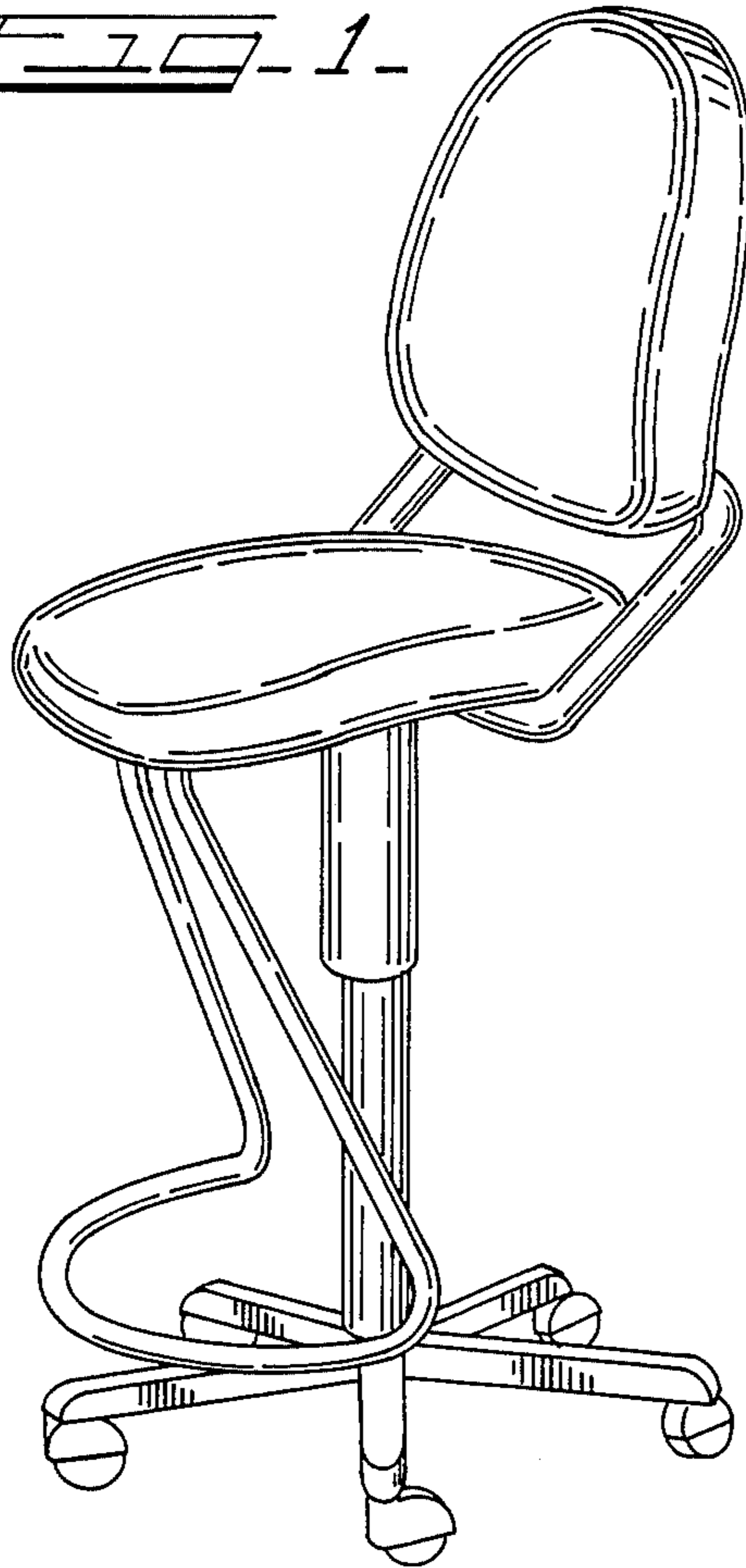


FIG. 2.

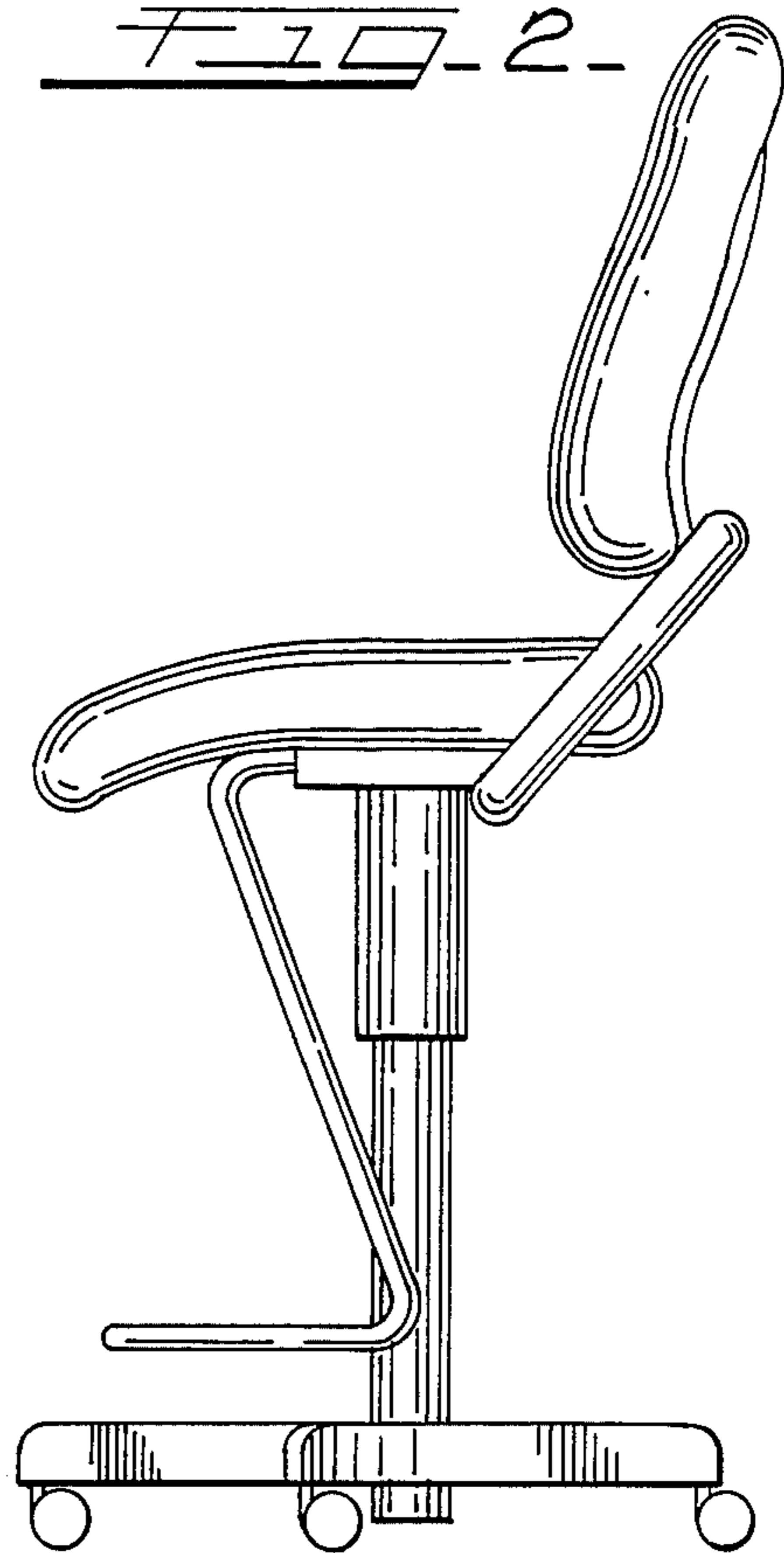


FIG. 3.

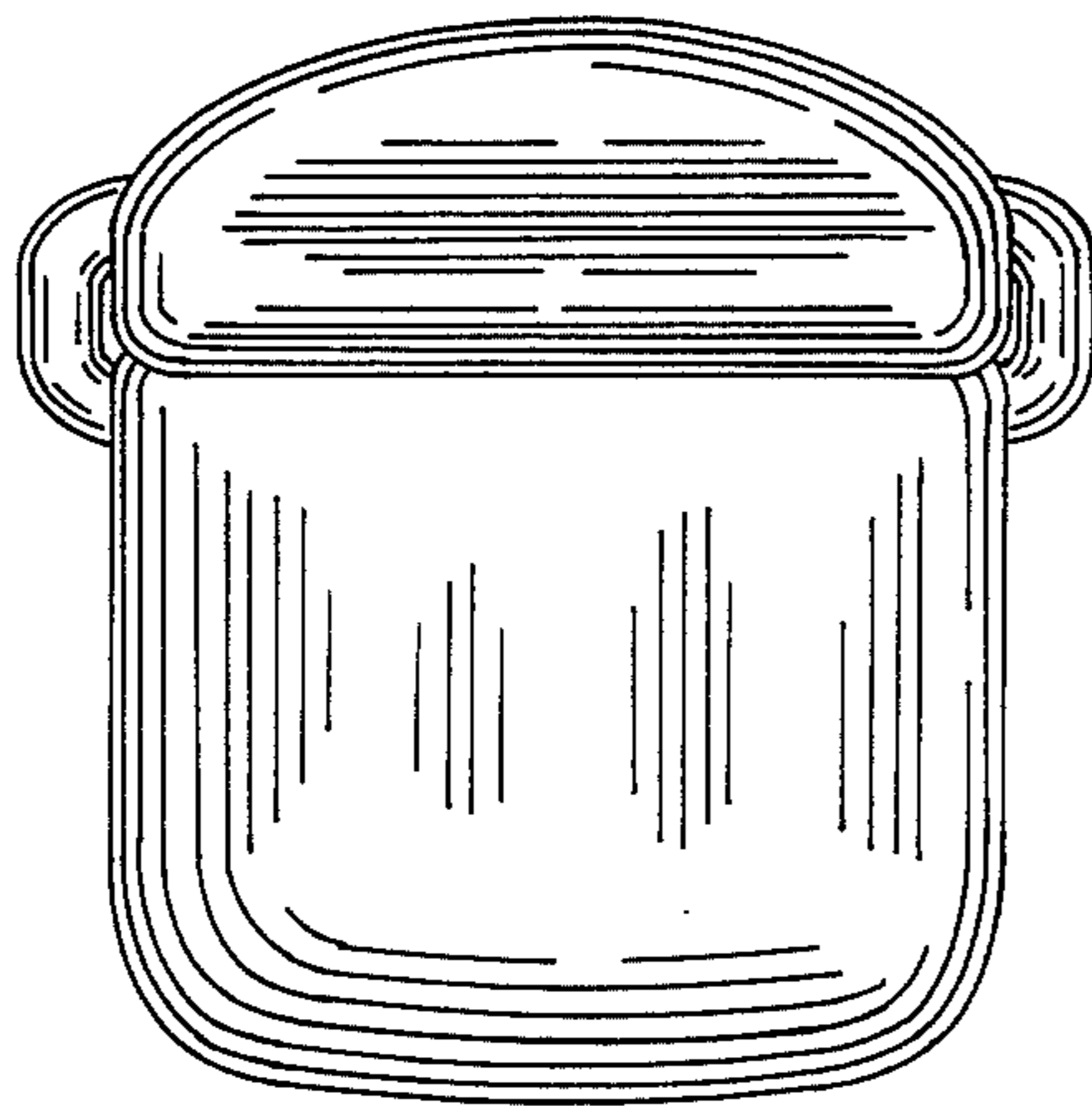


FIG. 4.

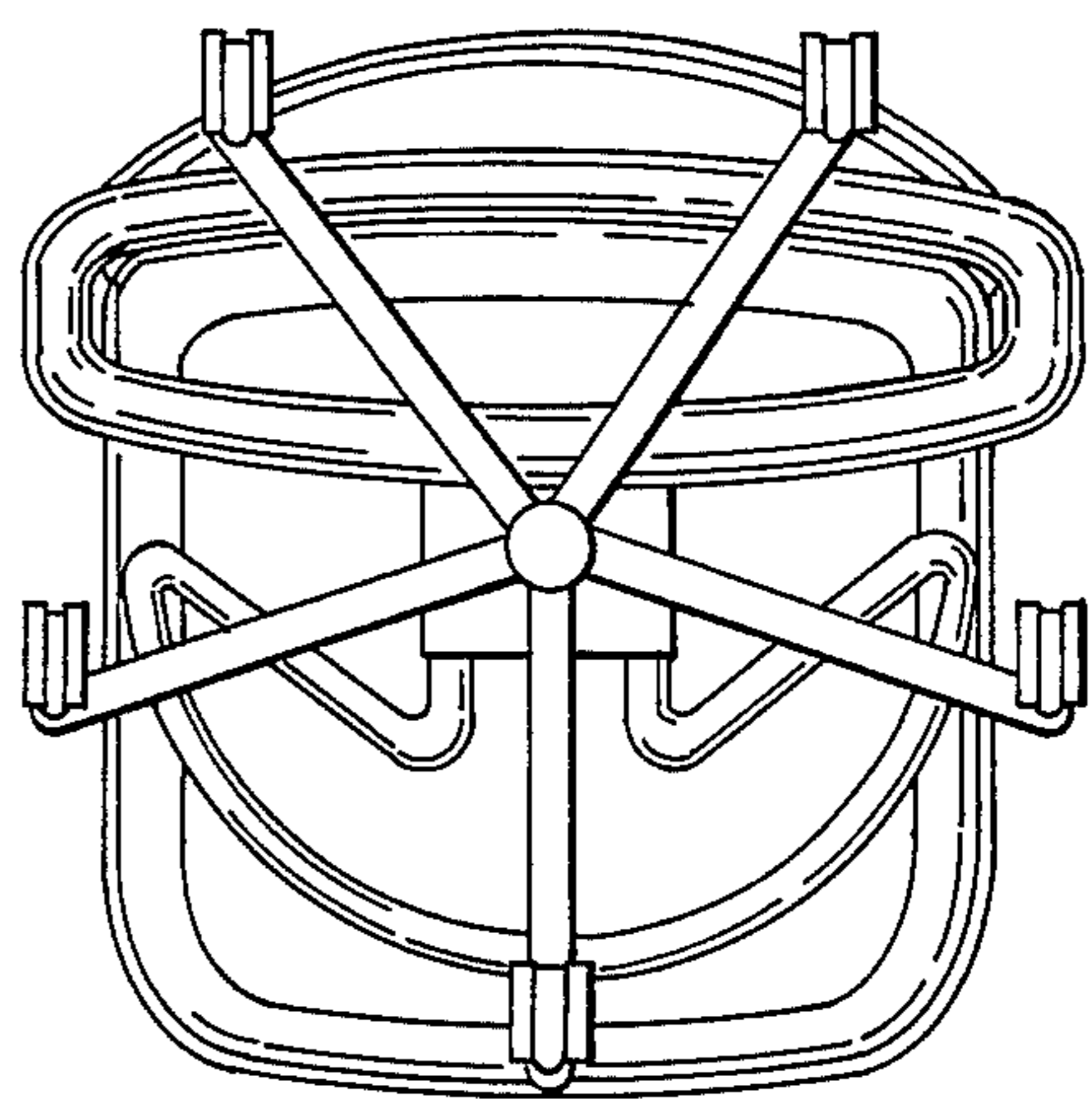


FIG. 5-

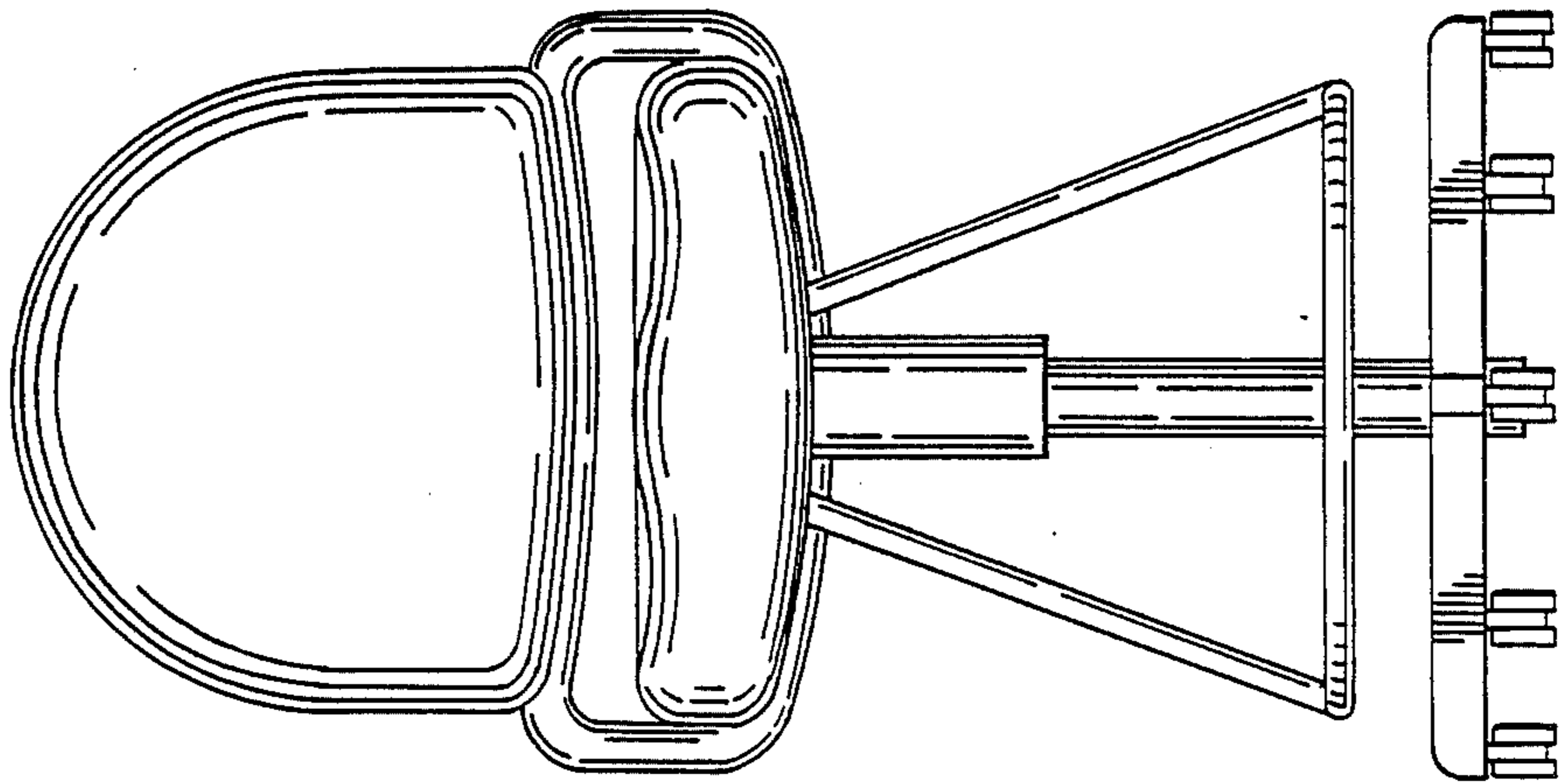


FIG. 6-

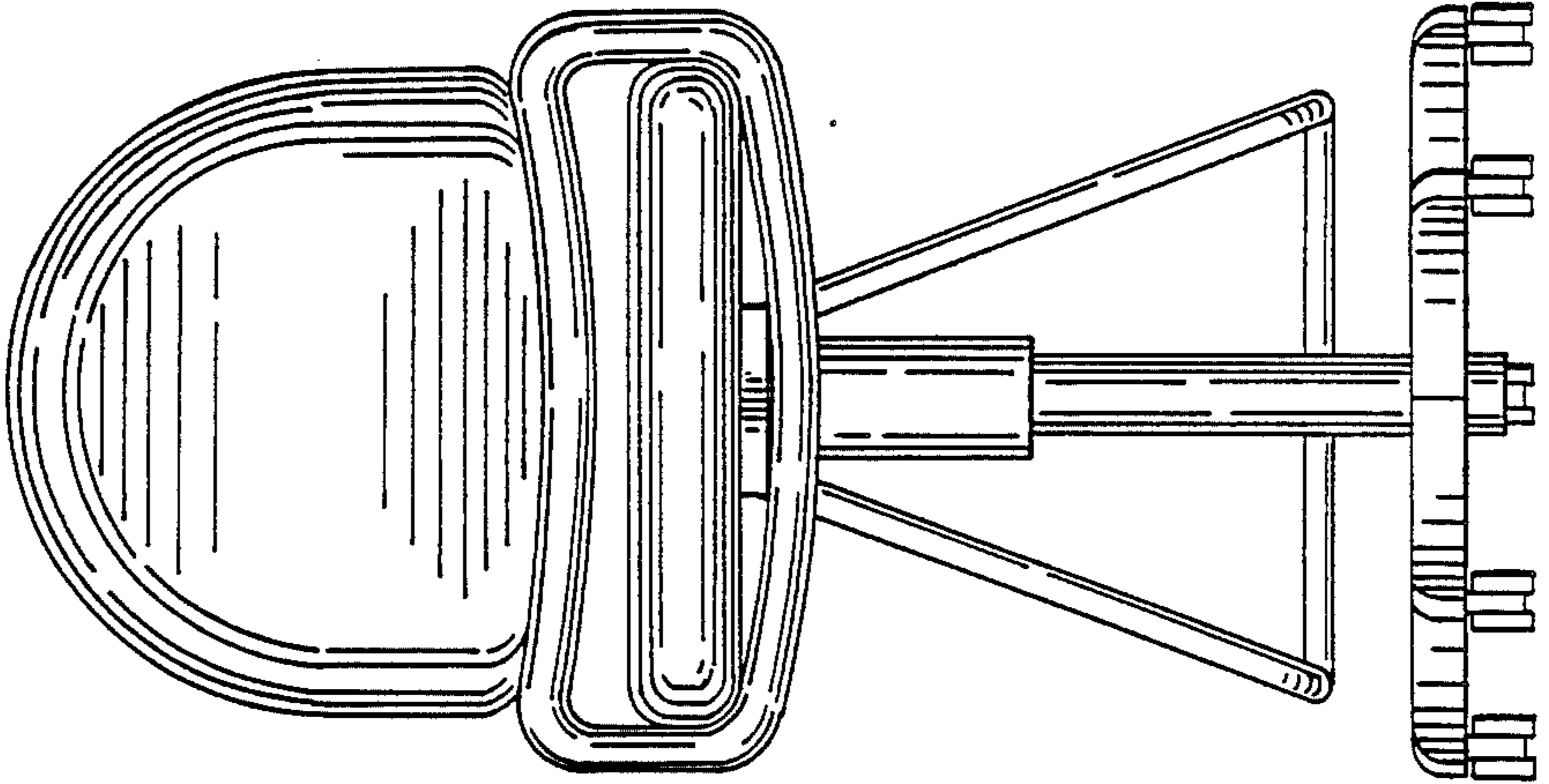


FIG. 7-

