

[54] HANDLE FOR UTILITY BRUSHES

[56] References Cited

[75] Inventor: Robert Dawes, Brisbane, Australia

U.S. PATENT DOCUMENTS

[73] Assignees: Trevor John Turner; Kaylene Gail Turner, Granville, Australia

- D. 240,678 7/1976 Rechtenstein ..... D4/138
- D. 274,575 7/1984 Kronner ..... D4/115 X
- D. 282,316 1/1986 Herzfeld ..... D4/104
- D. 285,749 9/1986 Mariol ..... D4/115

[\*\*] Term: 14 Years

Primary Examiner—Wallace R. Burke  
 Assistant Examiner—Lavone D. Tabor  
 Attorney, Agent, or Firm—Foley & Lardner, Schwartz,  
 Jeffery, Schwaab, Mack, Blumenthal & Evans

[21] Appl. No.: 66,643

[57] CLAIM

[22] Filed: Jun. 26, 1987

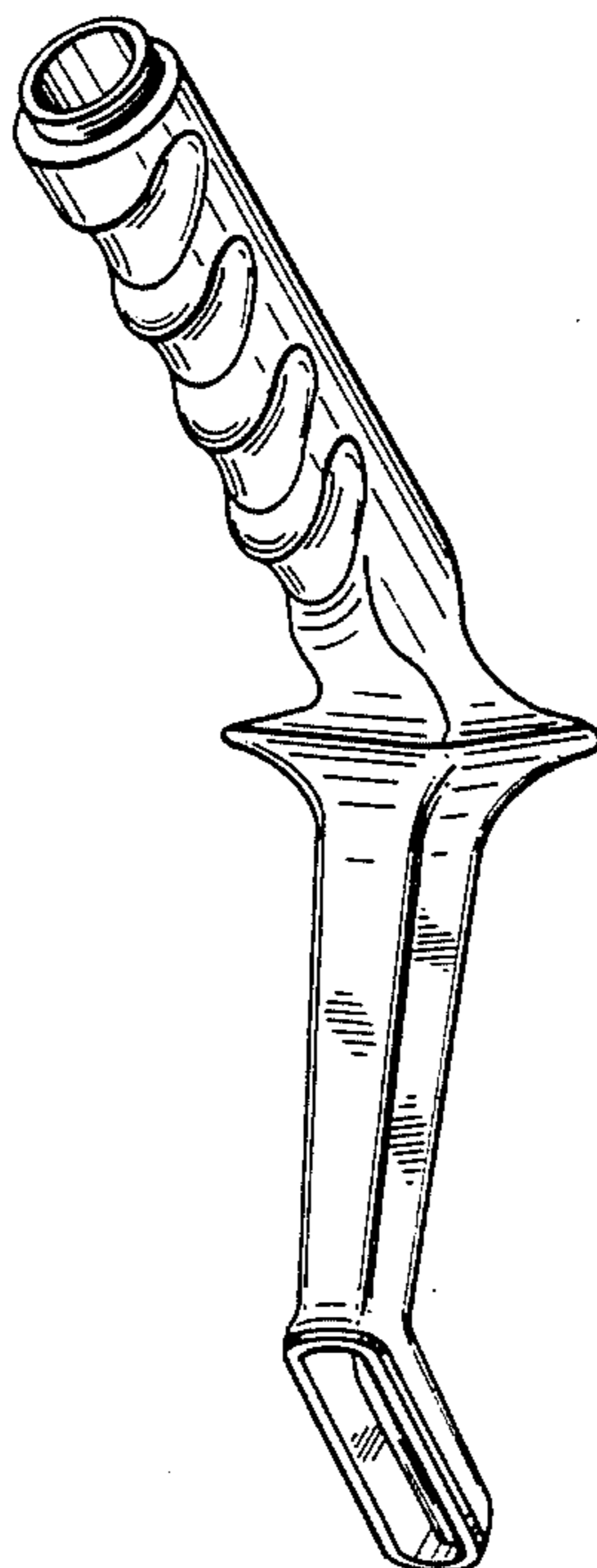
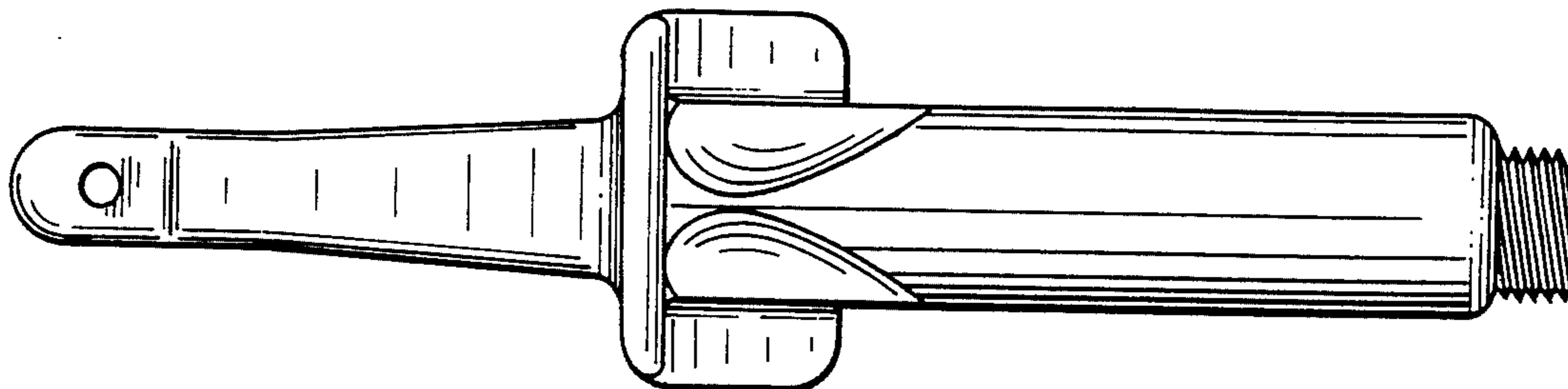
The ornamental design for a handle for utility brushes, as shown.

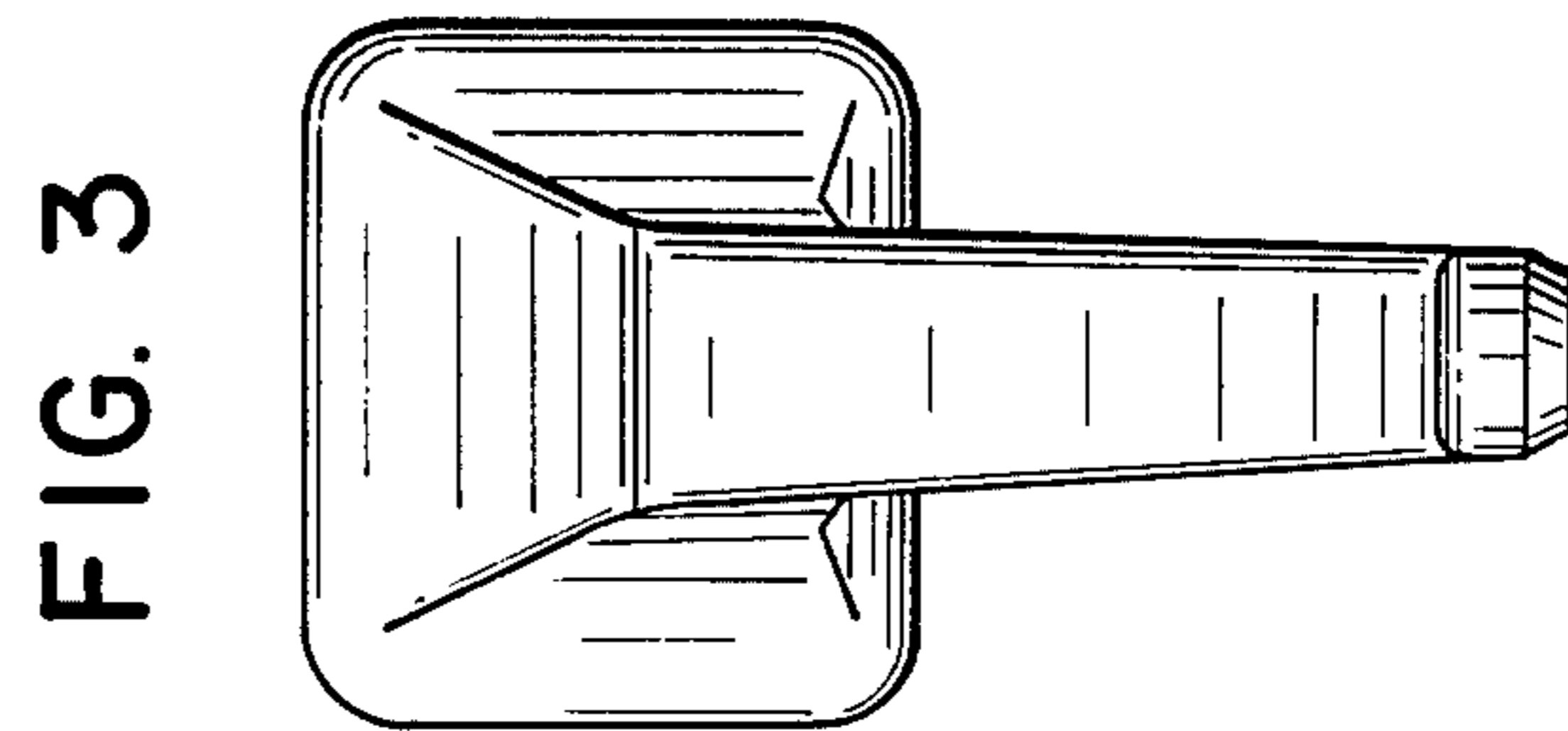
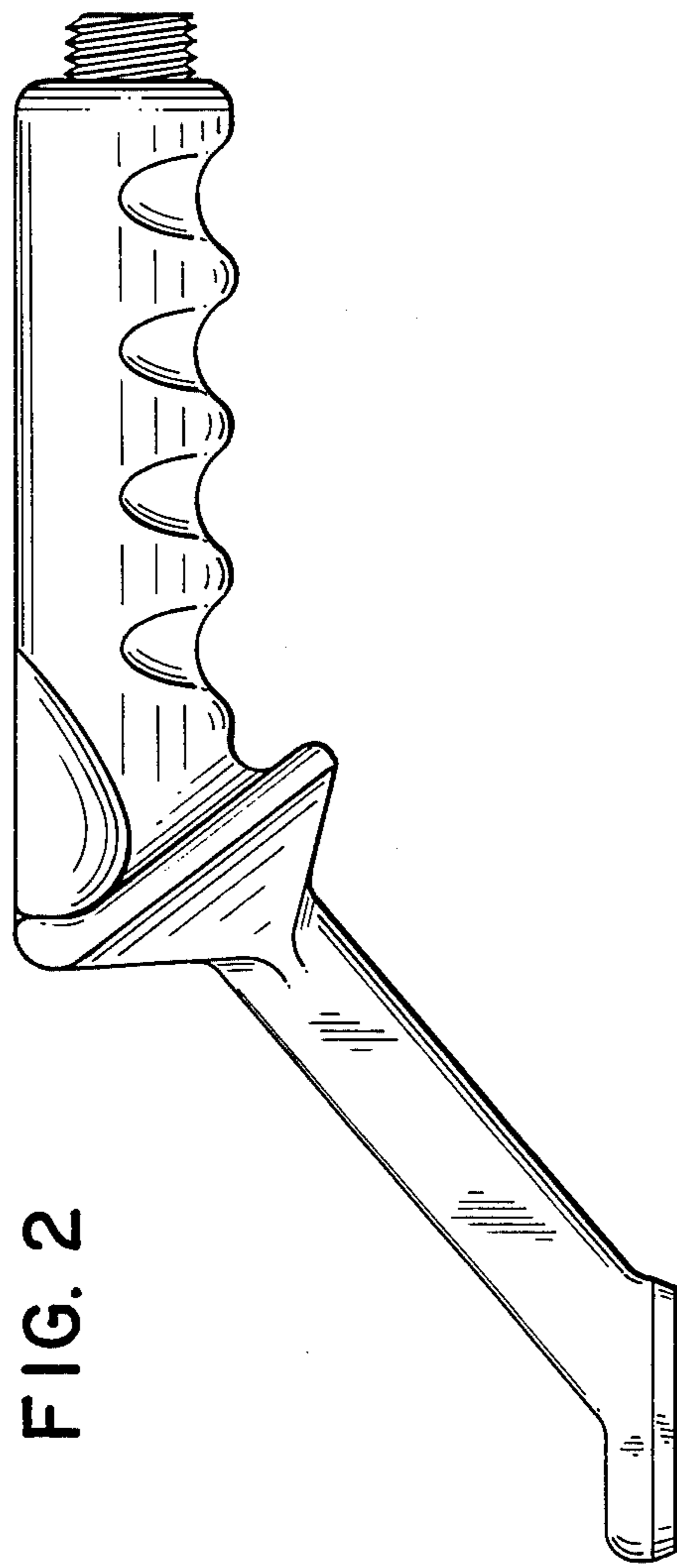
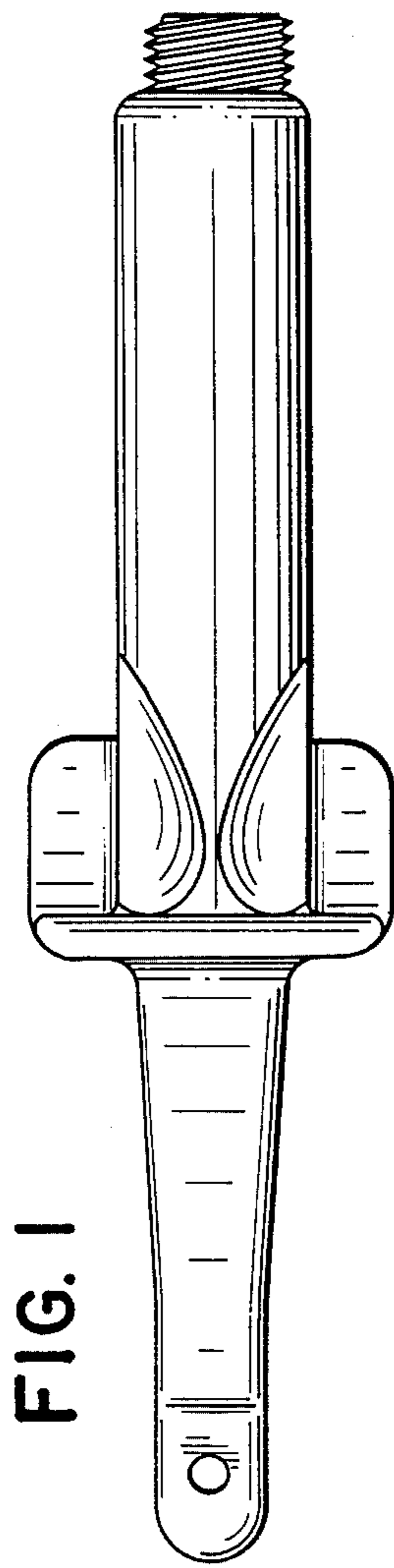
[30] Foreign Application Priority Data

DESCRIPTION

- Apr. 28, 1987 [AU] Australia ..... 1437/87
- [52] U.S. Cl. .... D4/138; D4/114
- [58] Field of Search ..... D4/100-101,  
 D4/114-115, 138, 199; 15/106, 143 R, 143 B,  
 144 R, 145-146, 159 R, 172, 176.6, 194-195,  
 201-202; D8/14.1, DIG. 7-DIG. 8;  
 D24/10-12; 401/268-274, 137-138; D23/213,  
 223-224

FIG. 1 is a top plan view of a handle for utility brushes showing my design;  
 FIG. 2 is a side elevational view thereof;  
 FIG. 3 is an end elevational view thereof;  
 FIG. 4 is a slightly reduced front perspective view thereof; and  
 FIG. 5 is a rear perspective view thereof.





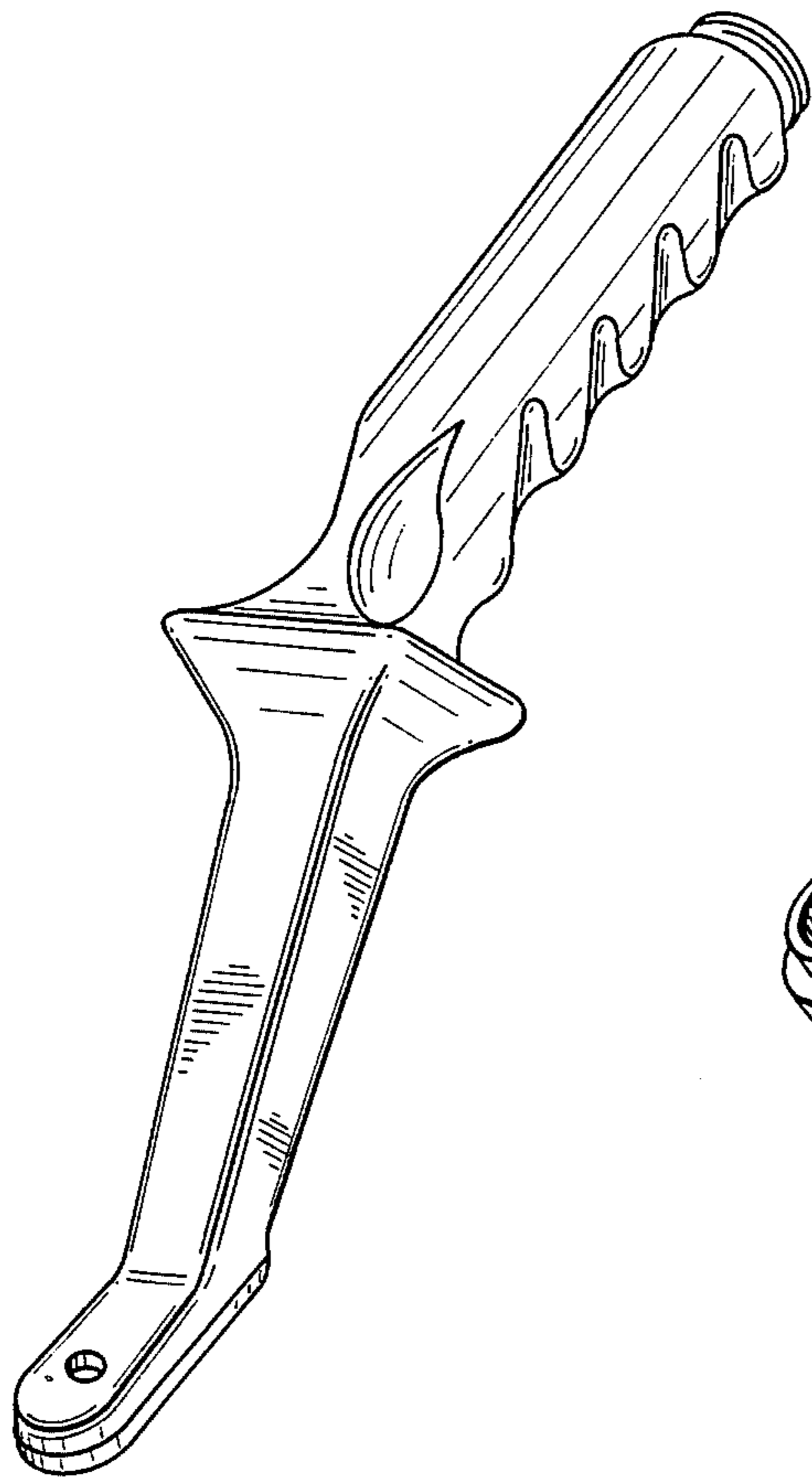


FIG. 4

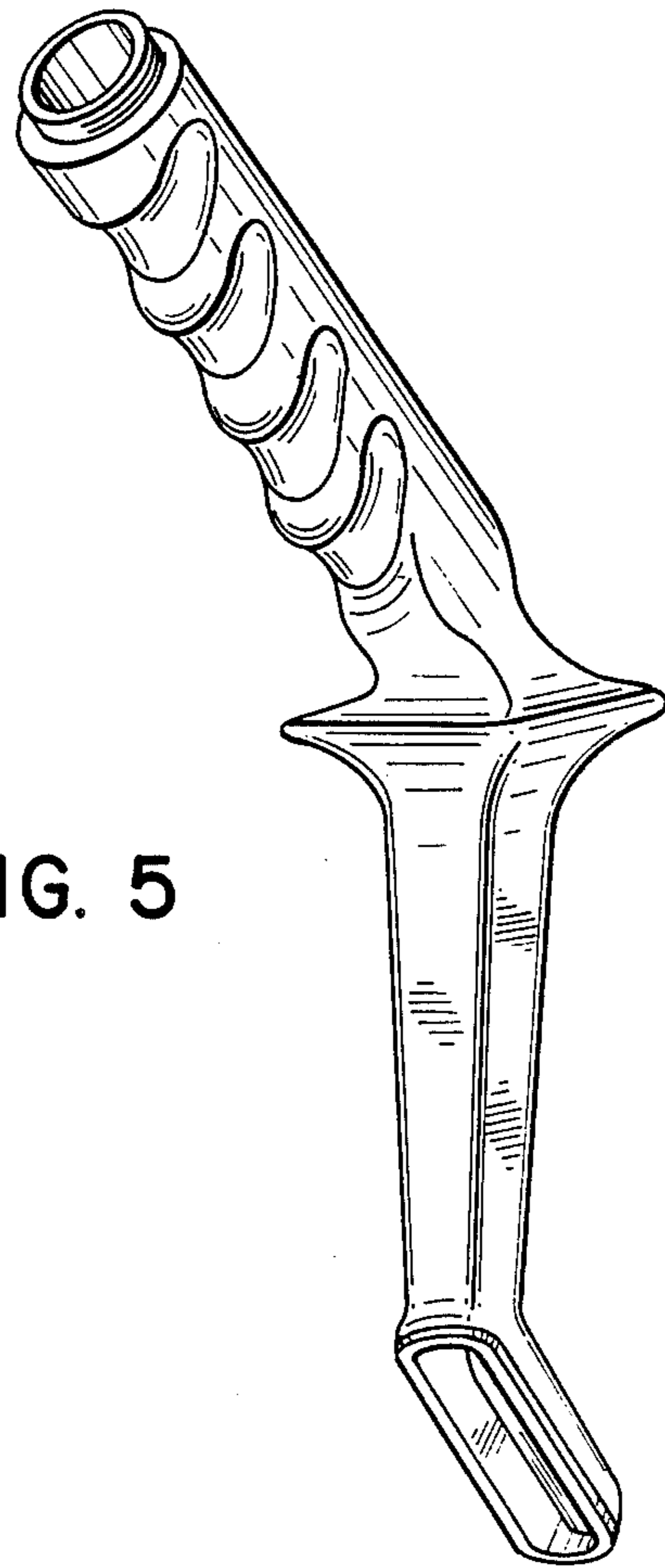


FIG. 5