

[54] SALVAGE DRUM

[75] Inventors: Mark D. Shaw; J. Tad Heyman; Laurence M. Bierce, all of Jacksonville, Fla.

[73] Assignee: Essef Corporation, Chardon, Ohio

[**] Term: 14 Years

[21] Appl. No.: 11,721

[22] Filed: Feb. 6, 1987

[52] U.S. Cl. D34/39

[58] Field of Search D34/39, 7, 11; D9/352, D9/353, 355, 366, 390, 392, 397, 399, 428, 429, 435, 443, 452; D23/205; 220/1 T, 288, 284, 5 R, 74

[56] References Cited

U.S. PATENT DOCUMENTS

- D. 229,547 12/1973 Hanamura D9/352
- D. 246,227 11/1977 Douglas D34/39
- D. 248,204 6/1978 Daenen D9/366 X

- D. 251,828 5/1979 Smith D9/452
- 1,569,875 1/1926 Nixon 220/284 X
- 3,414,183 12/1968 Wilcox D9/454 X
- 3,516,571 6/1970 Roper et al. 220/74 X
- 3,529,743 9/1970 Ehrbar et al. 220/74
- 4,335,074 6/1982 Bernas 220/288 X

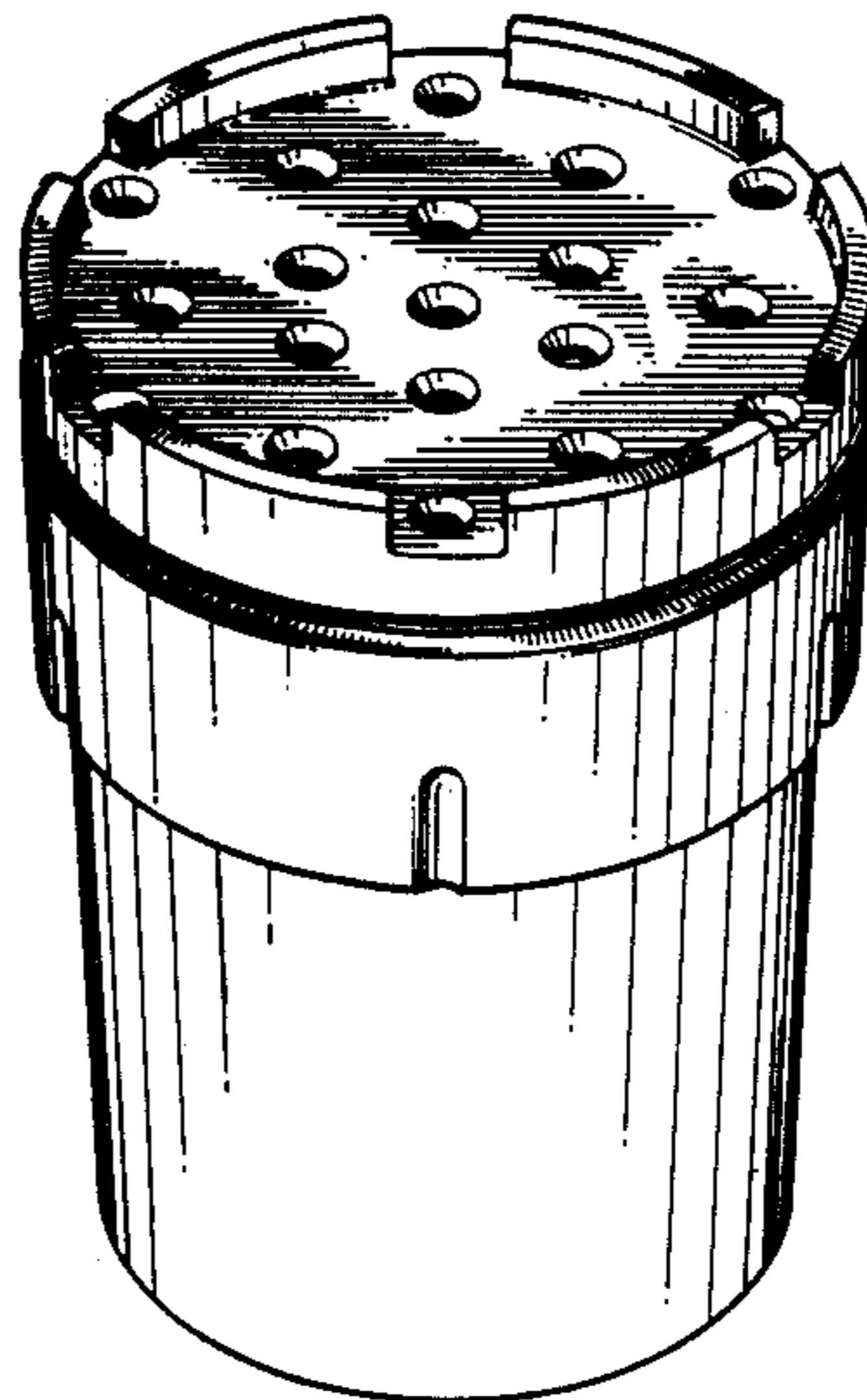
Primary Examiner—Melvin B. Feifer
Assistant Examiner—Lucy Lieberman
Attorney, Agent, or Firm—Wigman & Cohen

[57] CLAIM

The ornamental design for a salvage drum, as shown and described.

DESCRIPTION

FIG. 1 is a side elevation of a salvage drum showing our new design, the opposite side being the same in appearance;
FIG. 2 is a top view thereof;
FIG. 3 is a perspective view thereof;
FIG. 4 is a bottom view thereof; and
FIG. 5 is a fragmentary cross section showing a detail of the salvage drum.



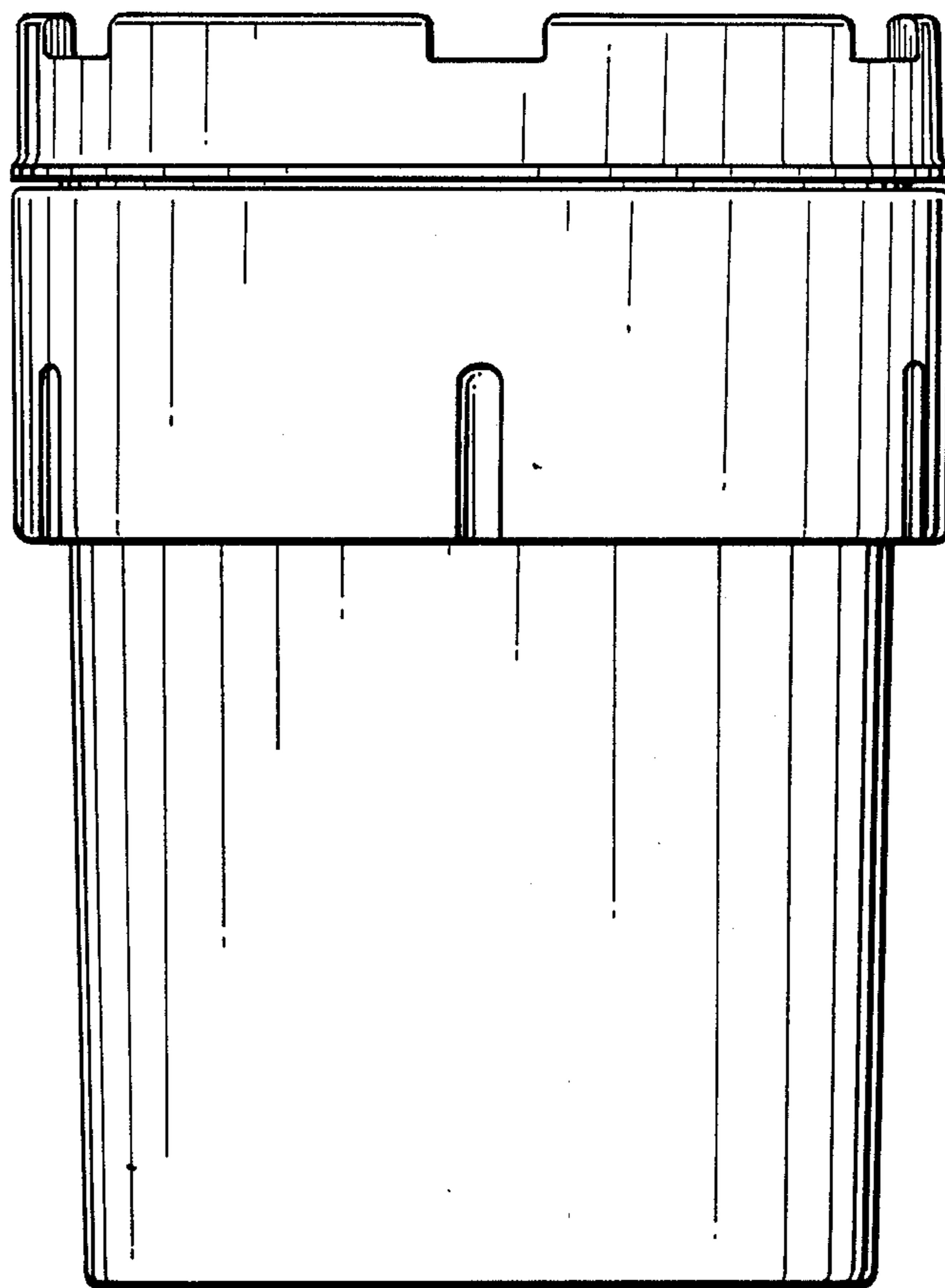


FIG. 1

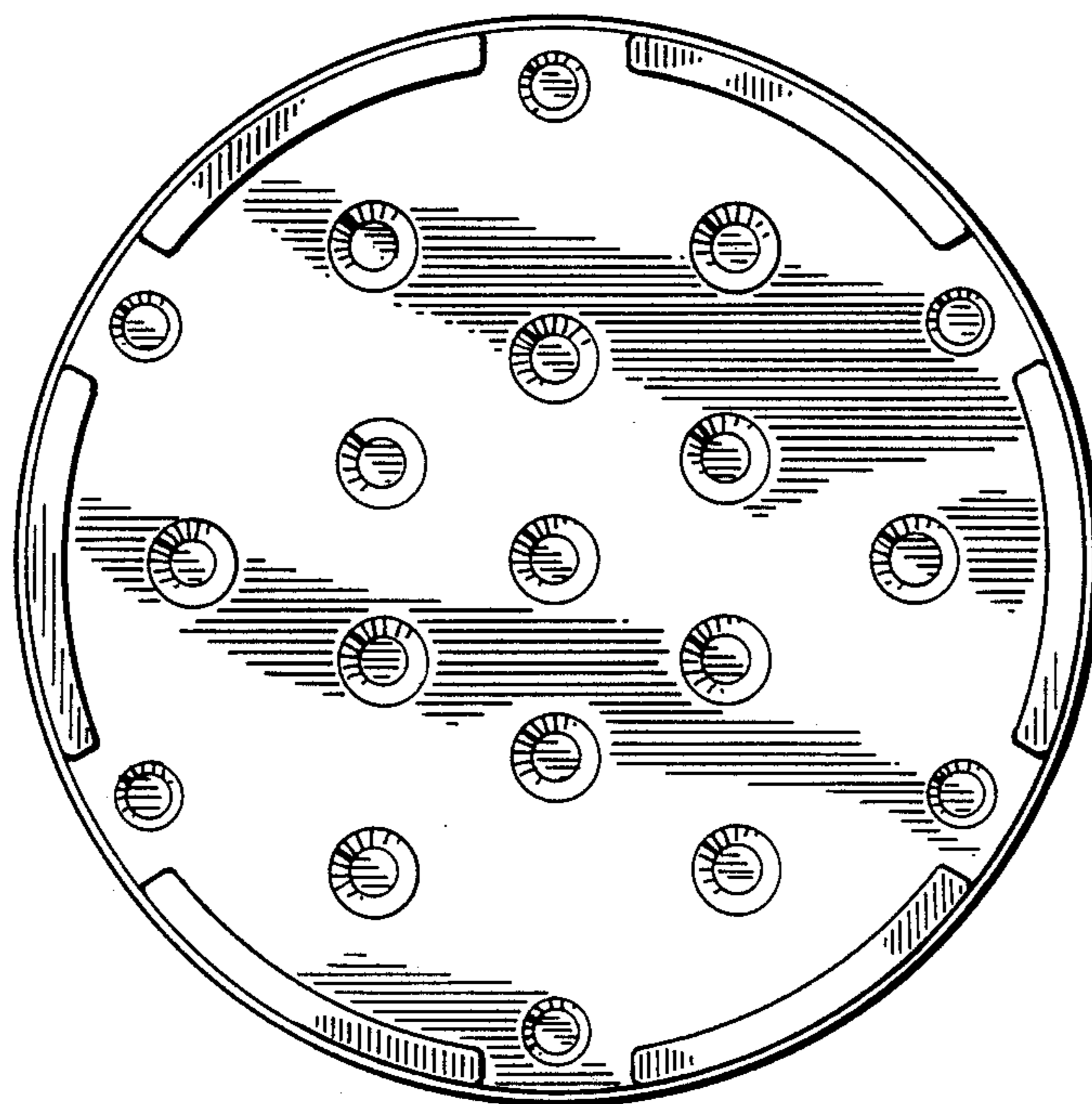


FIG. 2

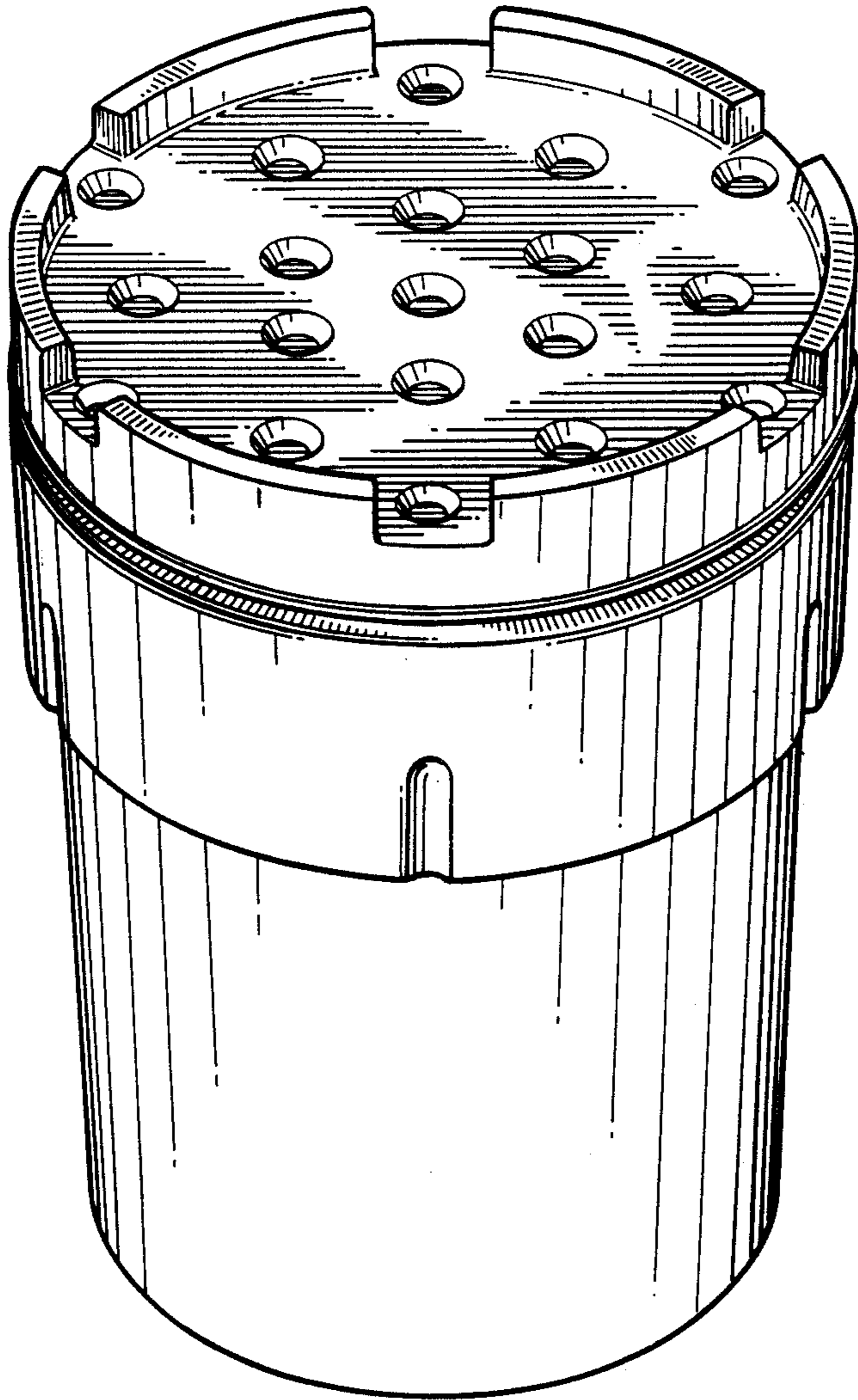


FIG. 3

FIG. 4

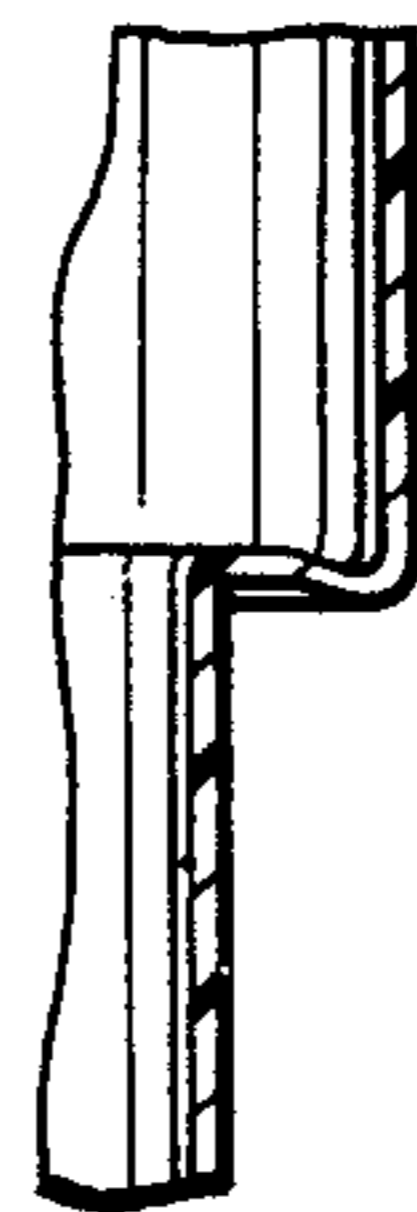
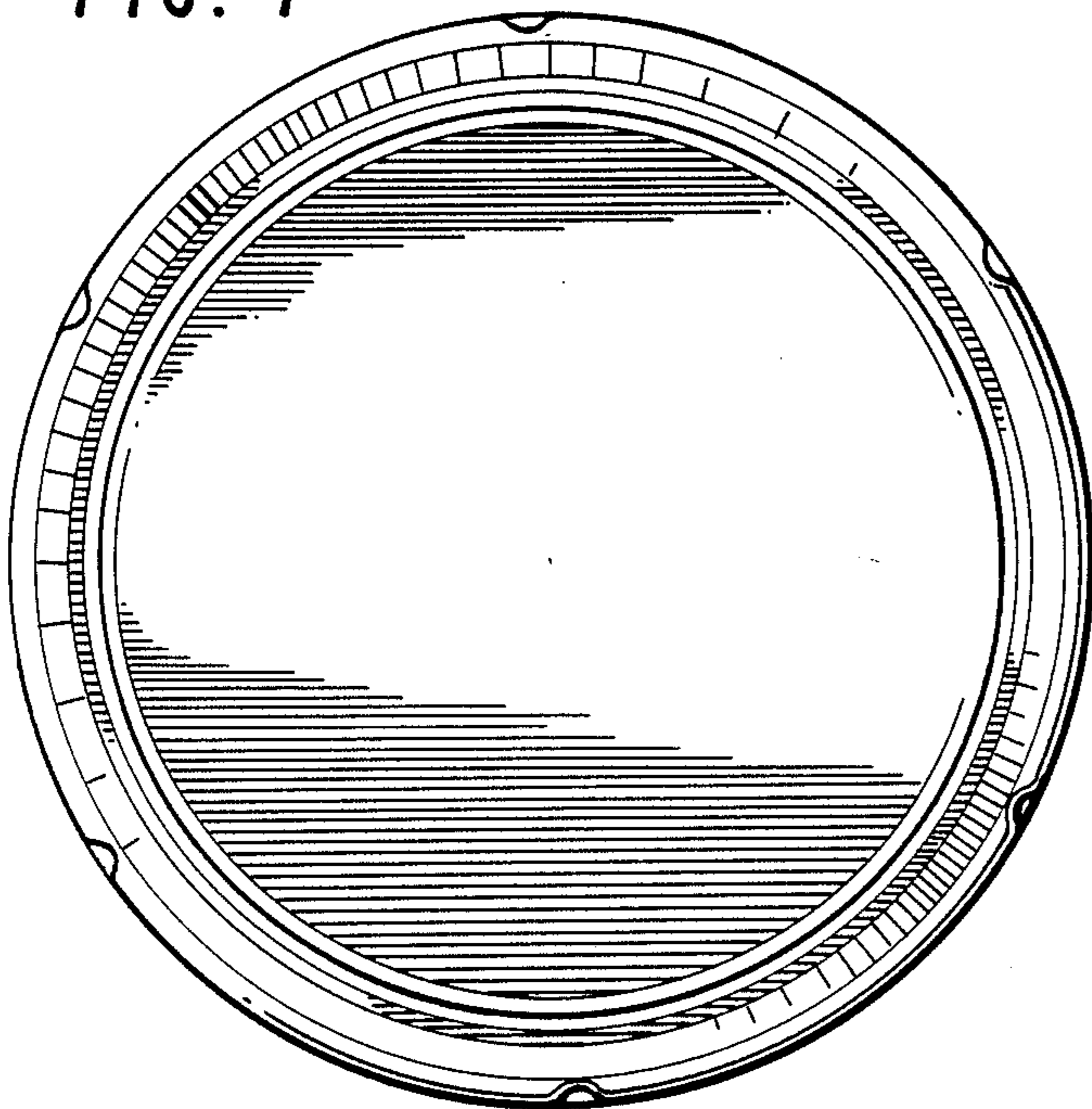


FIG. 5