

United States Patent [19]

Vobeda

[11] Patent Number: Des. 309,363

[45] Date of Patent: ** Jul. 17, 1990

[54] FLOWER CART

[76] Inventor: Edwin F. Vobeda, 4020 Blue River Ave., Racine, Wis. 53405

[**] Term: 14 Years

[21] Appl. No.: 285,244

[22] Filed: Dec. 16, 1988

[52] U.S. Cl. D34/24; D34/25

[58] Field of Search D34/12, 13, 24, 25, D34/26; 280/47.23, 652, 47.26, 47.24, 654; D11/143, 144; D6/403

[56] **References Cited**

U.S. PATENT DOCUMENTS

- D. 176,220 11/1955 Klingberg D34/24
- D. 192,108 1/1962 Kelman D34/25

- D. 246,300 11/1977 Dortch et al. D34/24
- 2,812,952 11/1957 Kamila 280/47.23
- 4,253,677 3/1981 Wissler 280/652

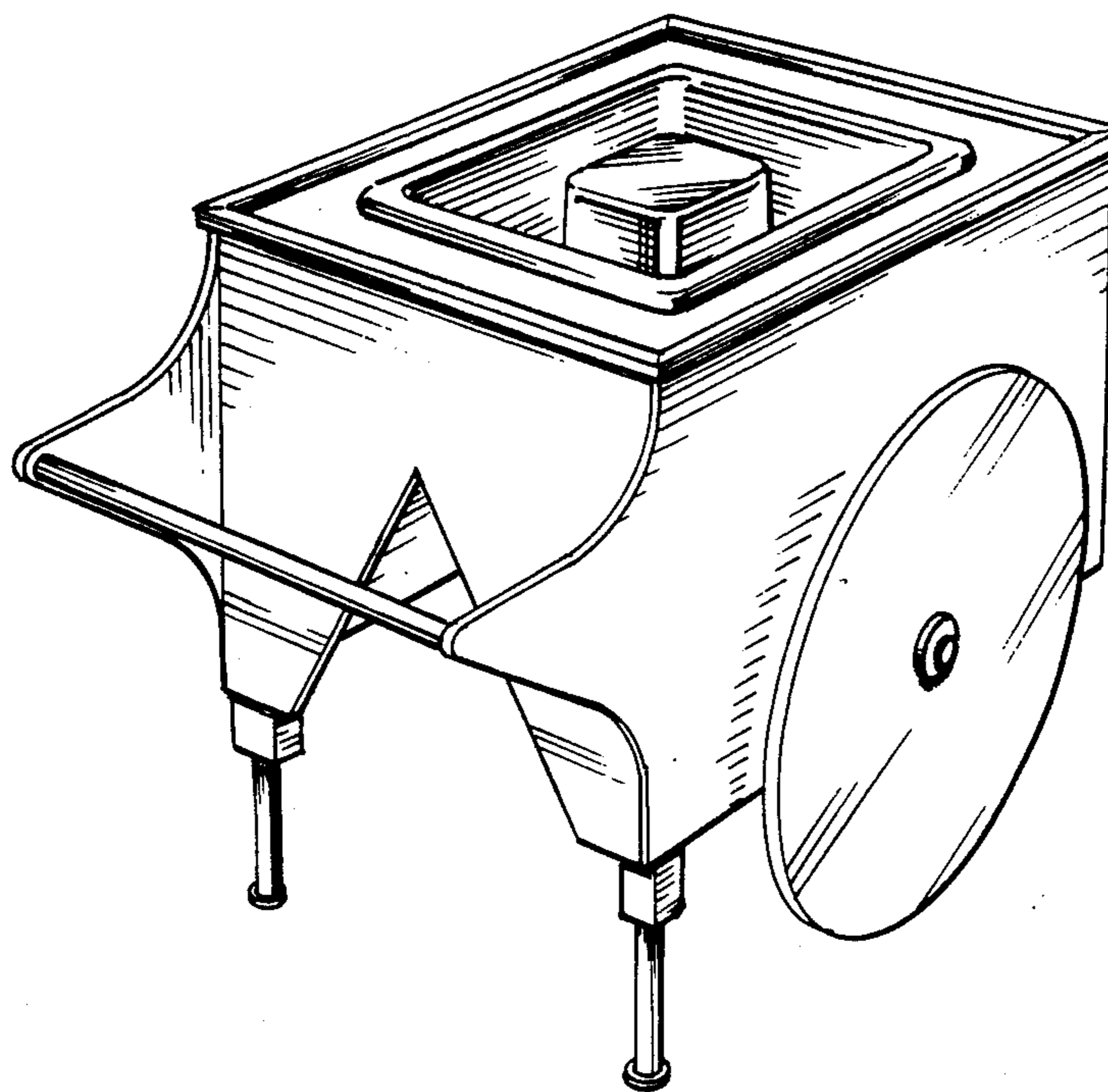
Primary Examiner—Wallace R. Burke
Assistant Examiner—Kay H. Chin

[57] **CLAIM**

The ornamental design for a flower cart, as shown and described.

DESCRIPTION

FIG. 1 is a top and rear perspective view of a flower cart showing my new design;
 FIG. 2 is a top plan view thereof;
 FIG. 3 is a front elevational view thereof;
 FIG. 4 is a left side elevational view thereof, the right side view being a mirror image of that shown;
 FIG. 5 is a rear elevational view thereof.



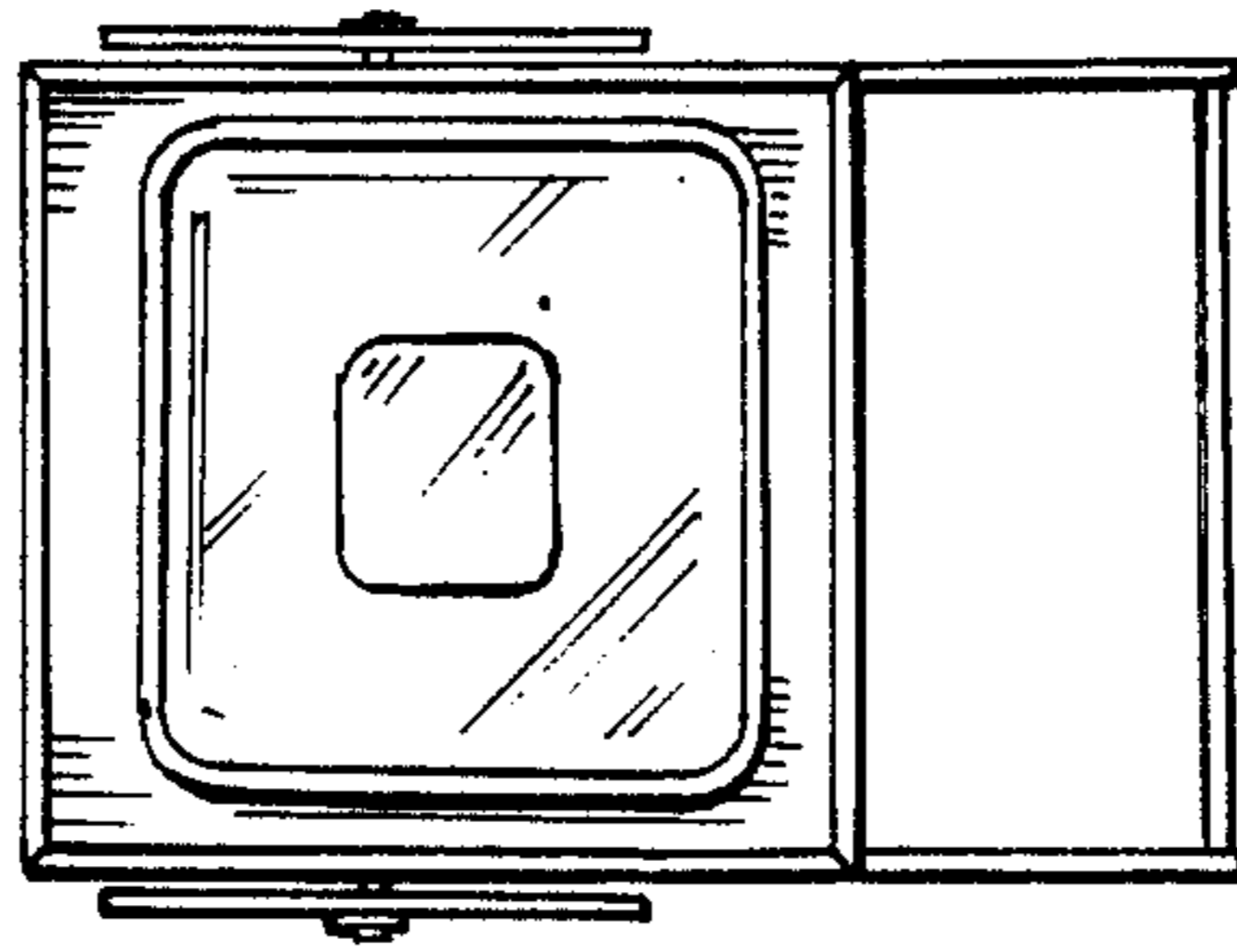


fig. 2

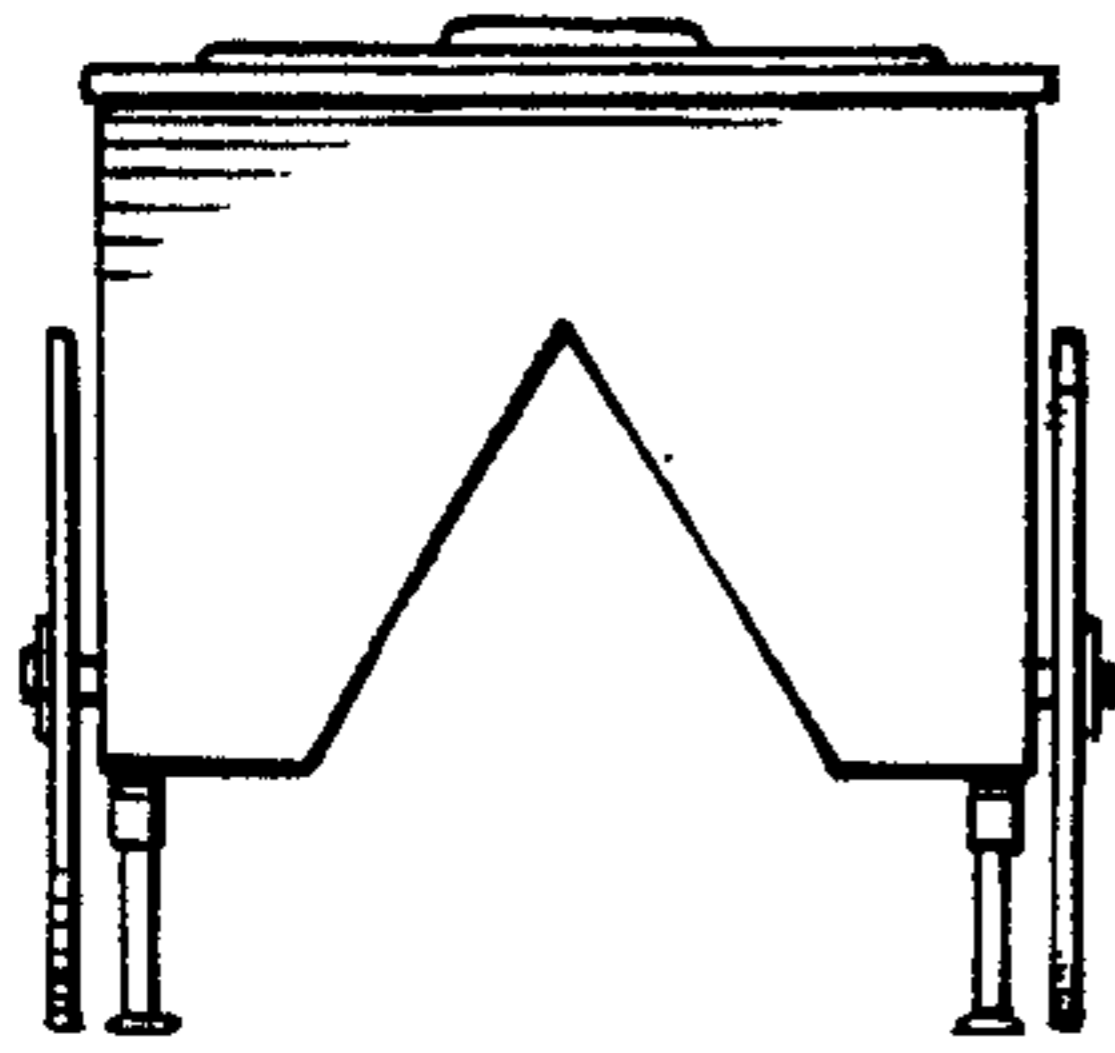


fig. 3

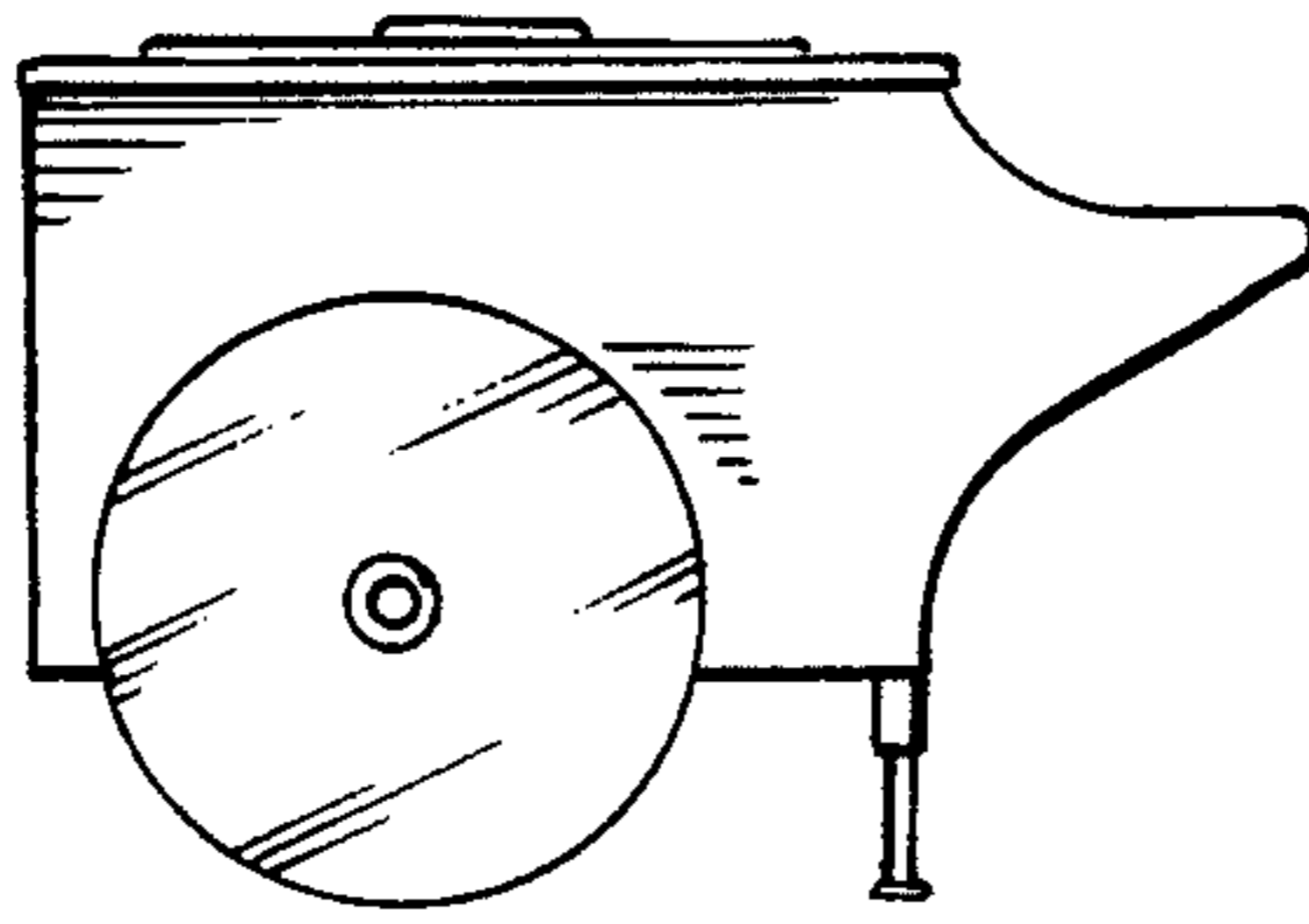


fig. 4

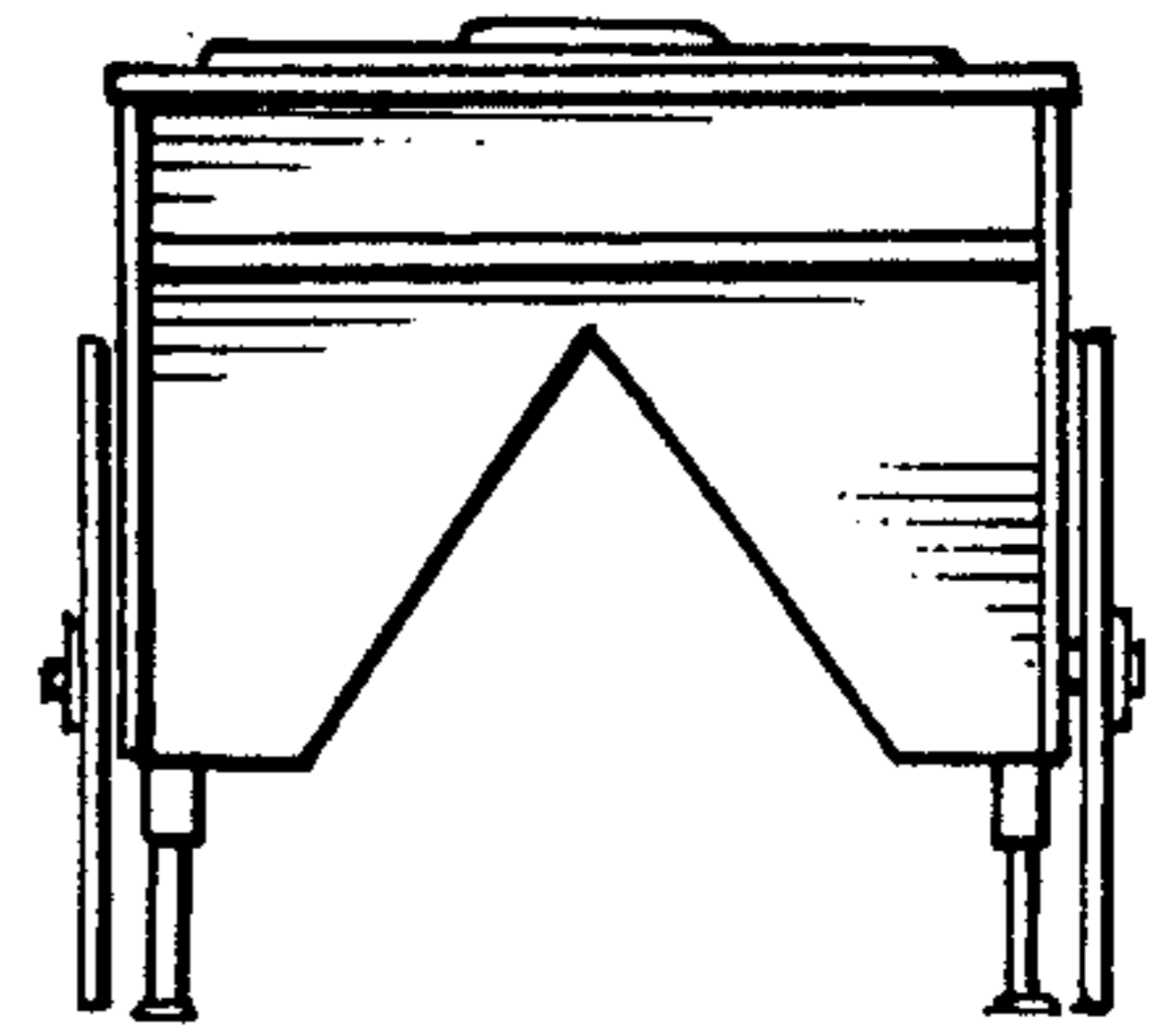


fig. 5

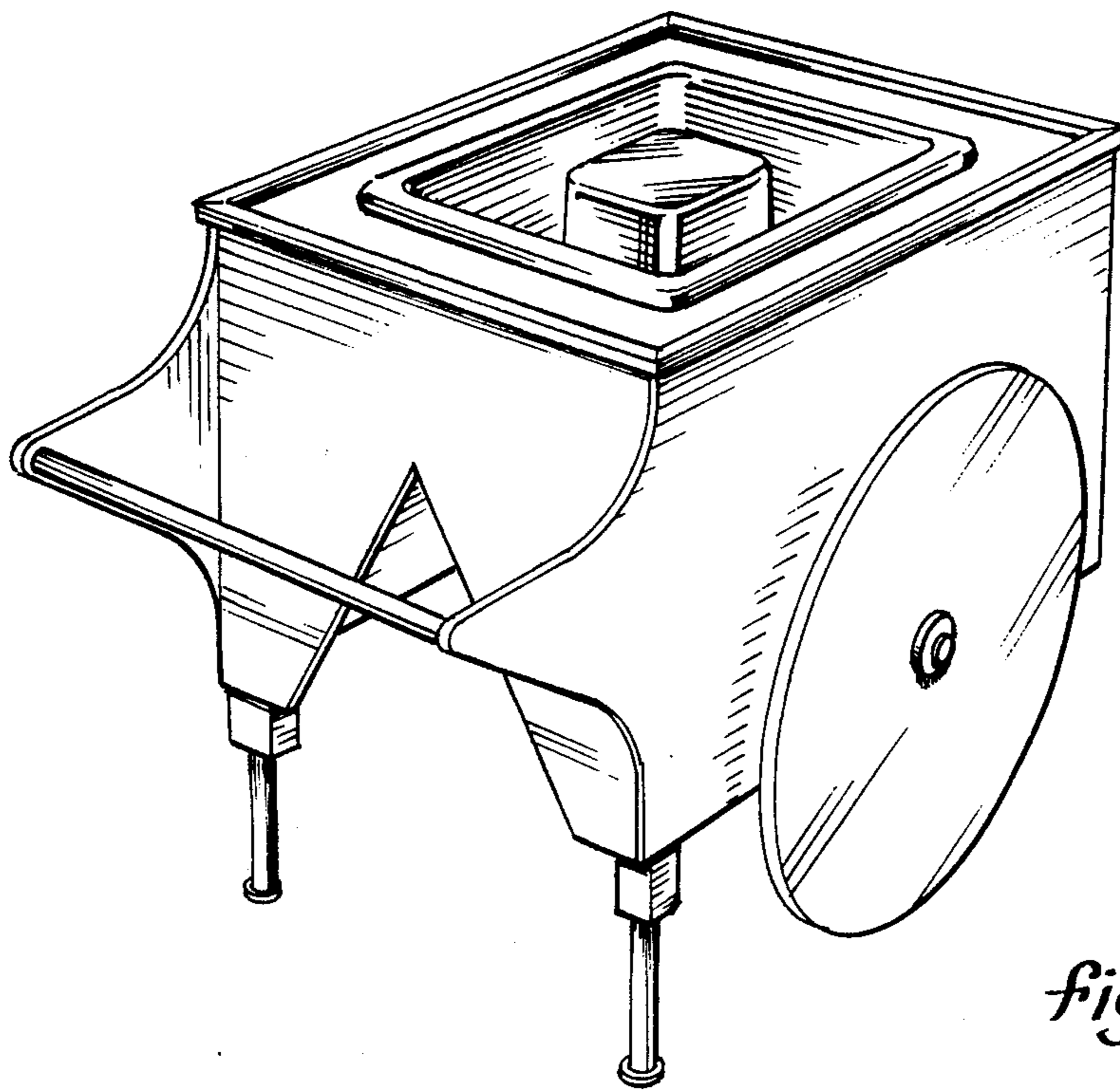


fig. 1