

[54] COSMETIC COMPACT

[75] Inventors: Reinhard Machelett, Meinerzhagen; Dietrich Machelett, Zum Rothenstein, both of Fed. Rep. of Germany

[73] Assignee: Wilhelm Koopman KG, Meinerzhagen, Fed. Rep. of Germany

[**] Term: 14 Years

[21] Appl. No.: 206,332

[22] Filed: Jun. 10, 1988

[52] U.S. Cl. D28/78

[58] Field of Search D3/30.1, 39; D9/341-342, 414, 418, 420-423; D28/73-84; 132/286, 288, 293, 294, 301, 303, 313-317; 206/235, 581, 823, 37, 38; 220/DIG. 26

[56] References Cited

U.S. PATENT DOCUMENTS

- D. 258,575 3/1981 Stettler D9/420
- D. 270,671 9/1983 Yamamoto D28/38
- D. 280,450 9/1985 Schefer D28/78
- D. 299,561 1/1989 Bakic D28/78

4,132,306 1/1979 Margolin 206/37

FOREIGN PATENT DOCUMENTS

1094492 5/1955 France 132/293

OTHER PUBLICATIONS

Beauty Fashion, 11/1986, p. 77, Compact on lower left.

Primary Examiner—B. J. Bullock

Assistant Examiner—C. Tuttle

Attorney, Agent, or Firm—Edwin D. Schindler

[57] CLAIM

The ornamental design for a cosmetic compact, as shown.

DESCRIPTION

FIG. 1 is a top perspective view of a cosmetic compact showing our new design;
 FIG. 2 is a front elevational view thereof;
 FIG. 3 is a rear elevational view thereof;
 FIG. 4 is a left side elevational view thereof;
 FIG. 5 is a top plan view thereof;
 FIG. 6 is a right side elevational view thereof;
 FIG. 7 is a bottom plan view thereof; and
 FIG. 8 is a top perspective view thereof, shown in an open condition.

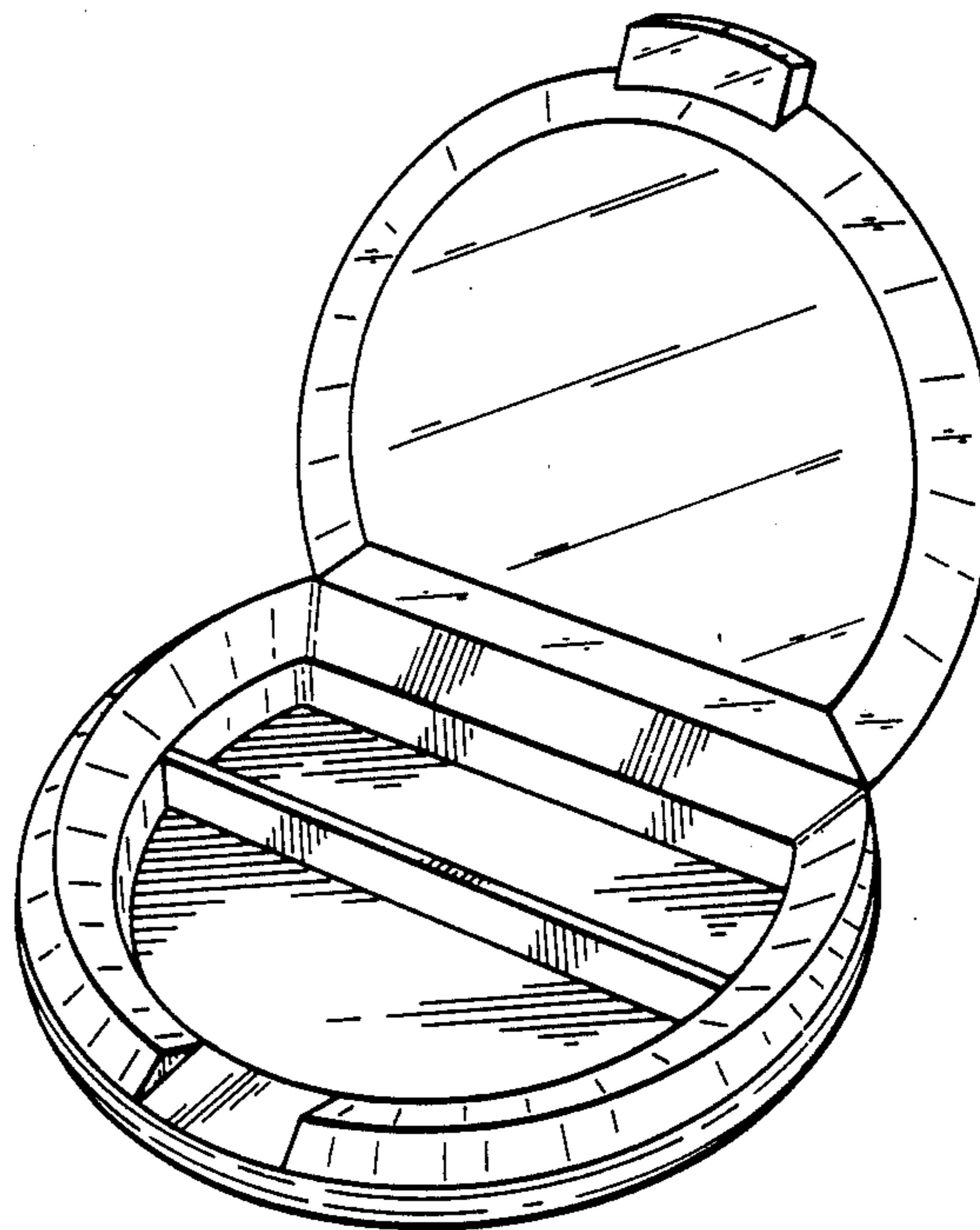
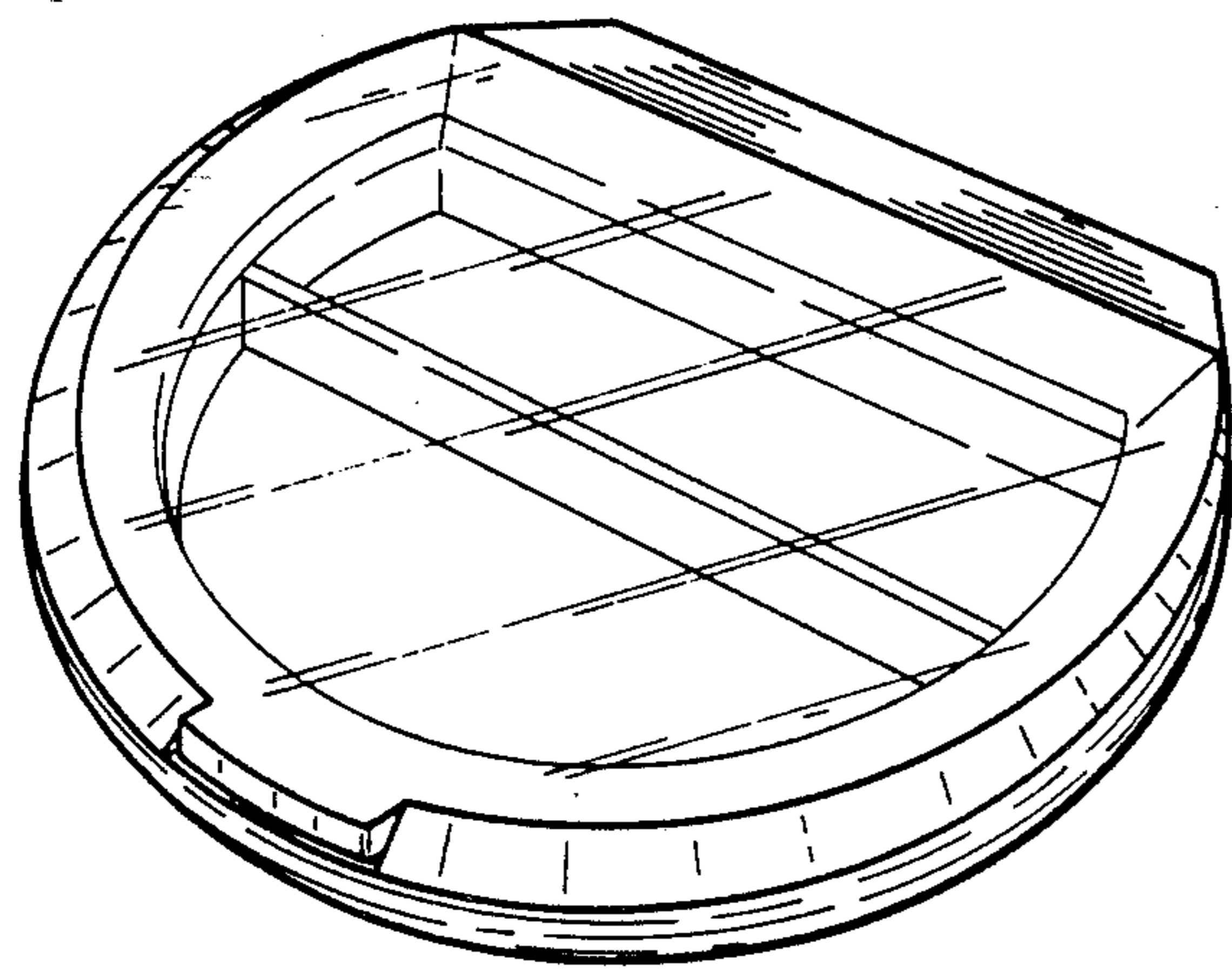


FIG. 1

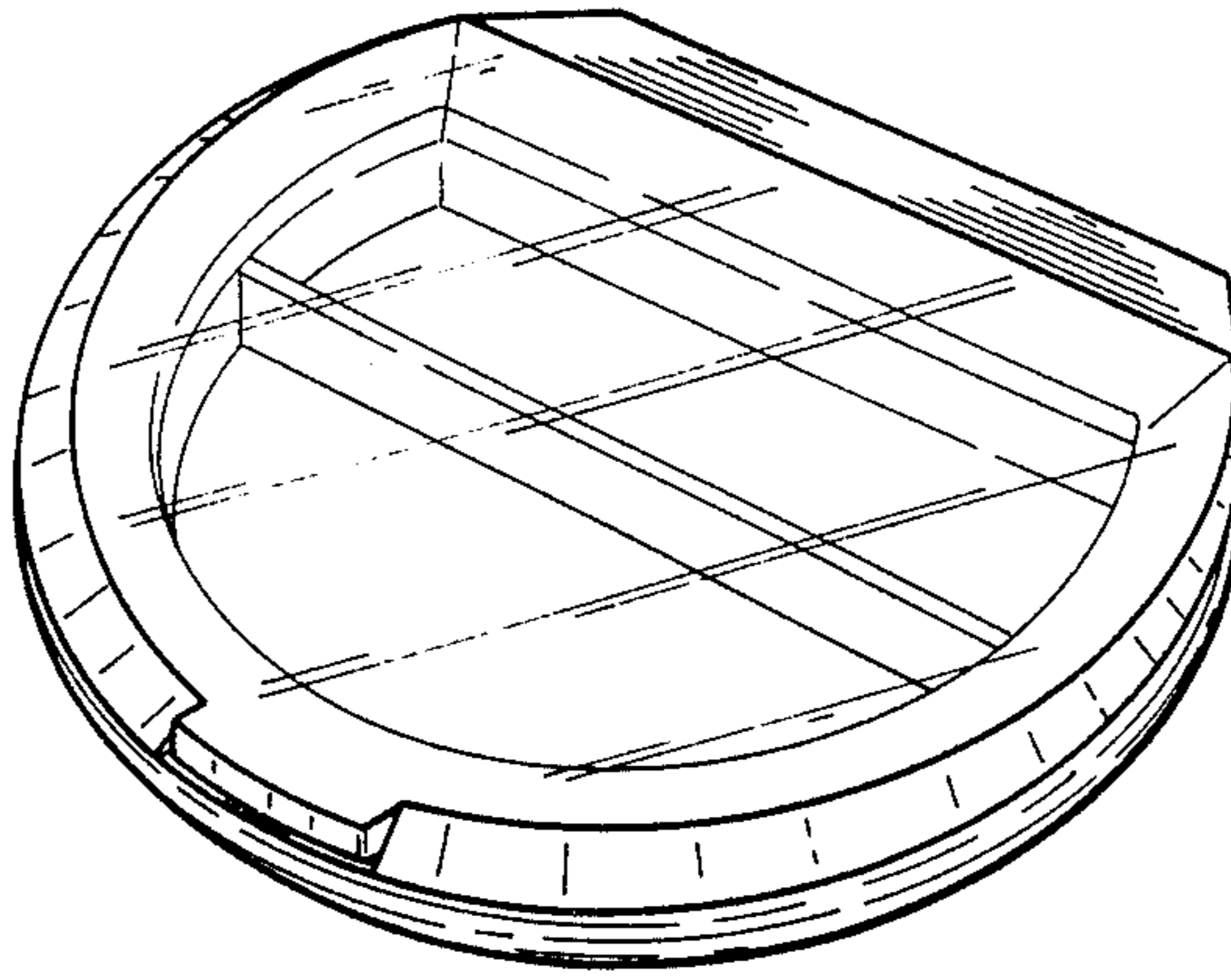


FIG. 2

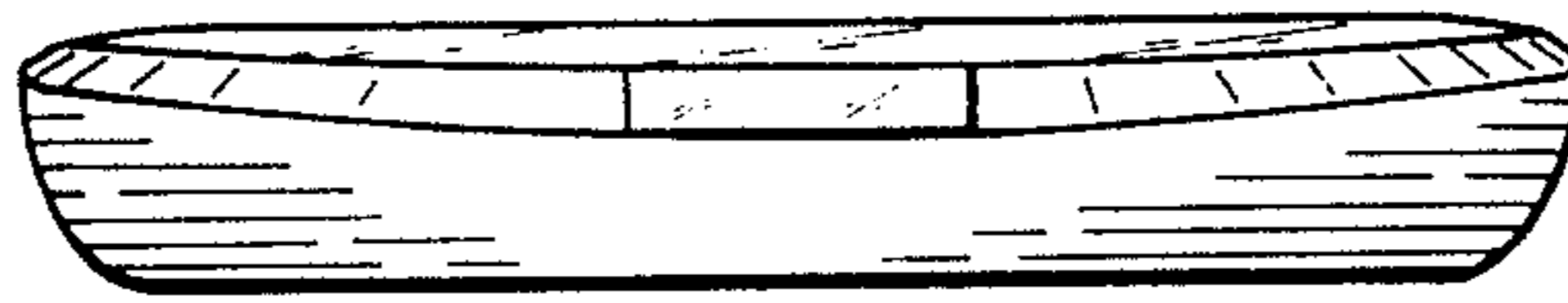


FIG. 3

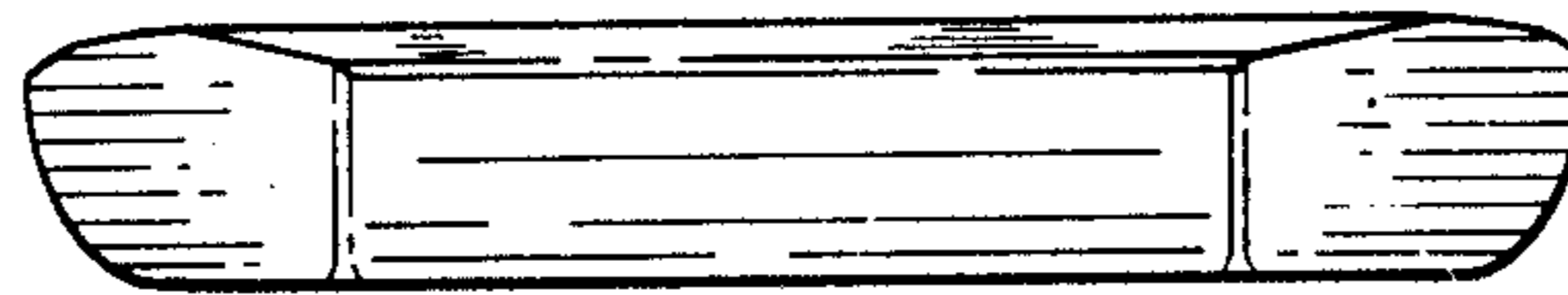


FIG. 4

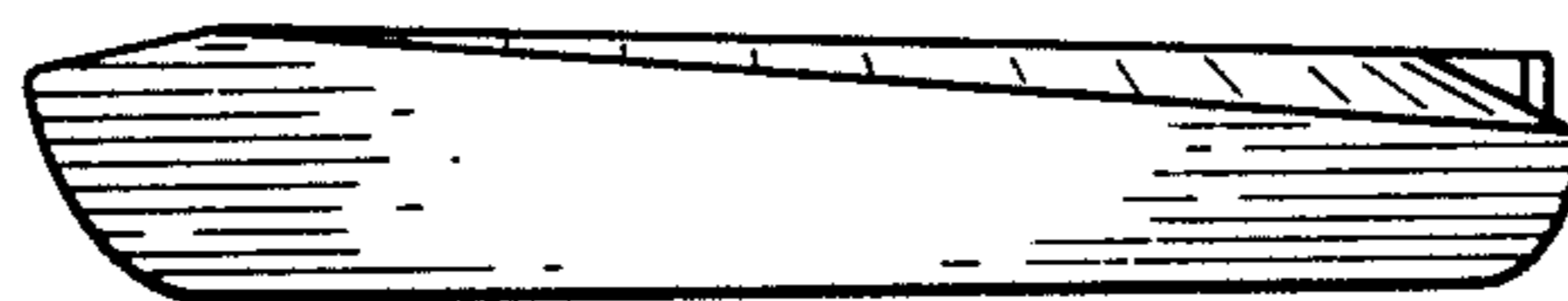


FIG. 5

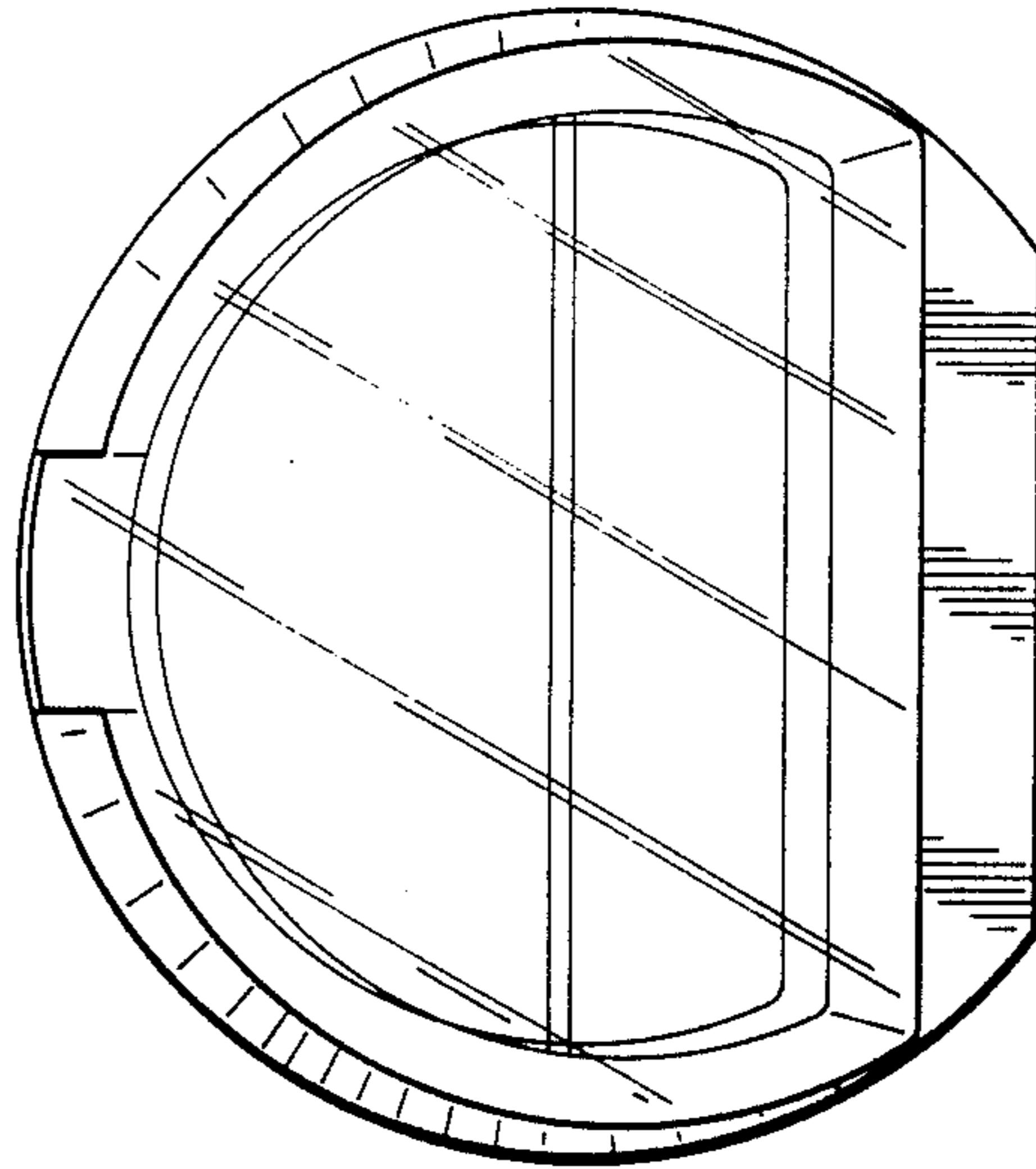


FIG. 6

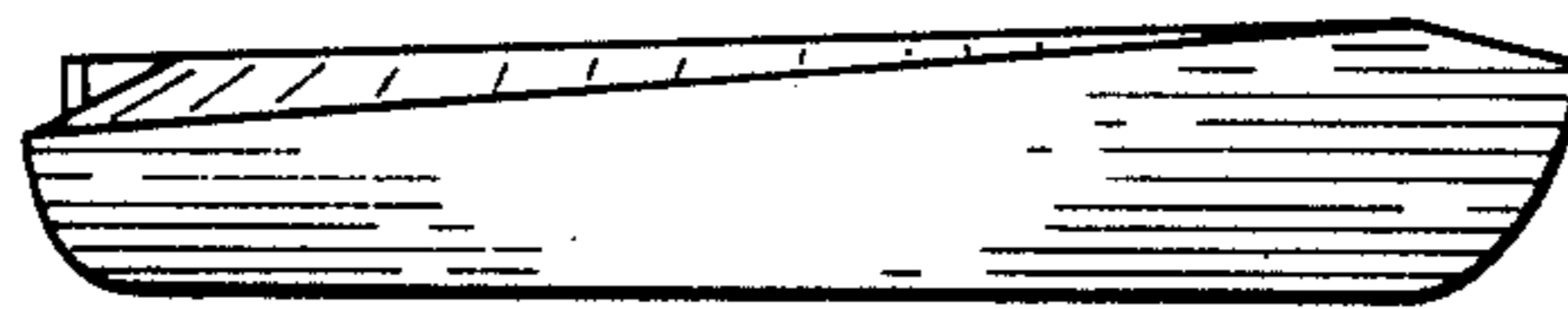


FIG. 7

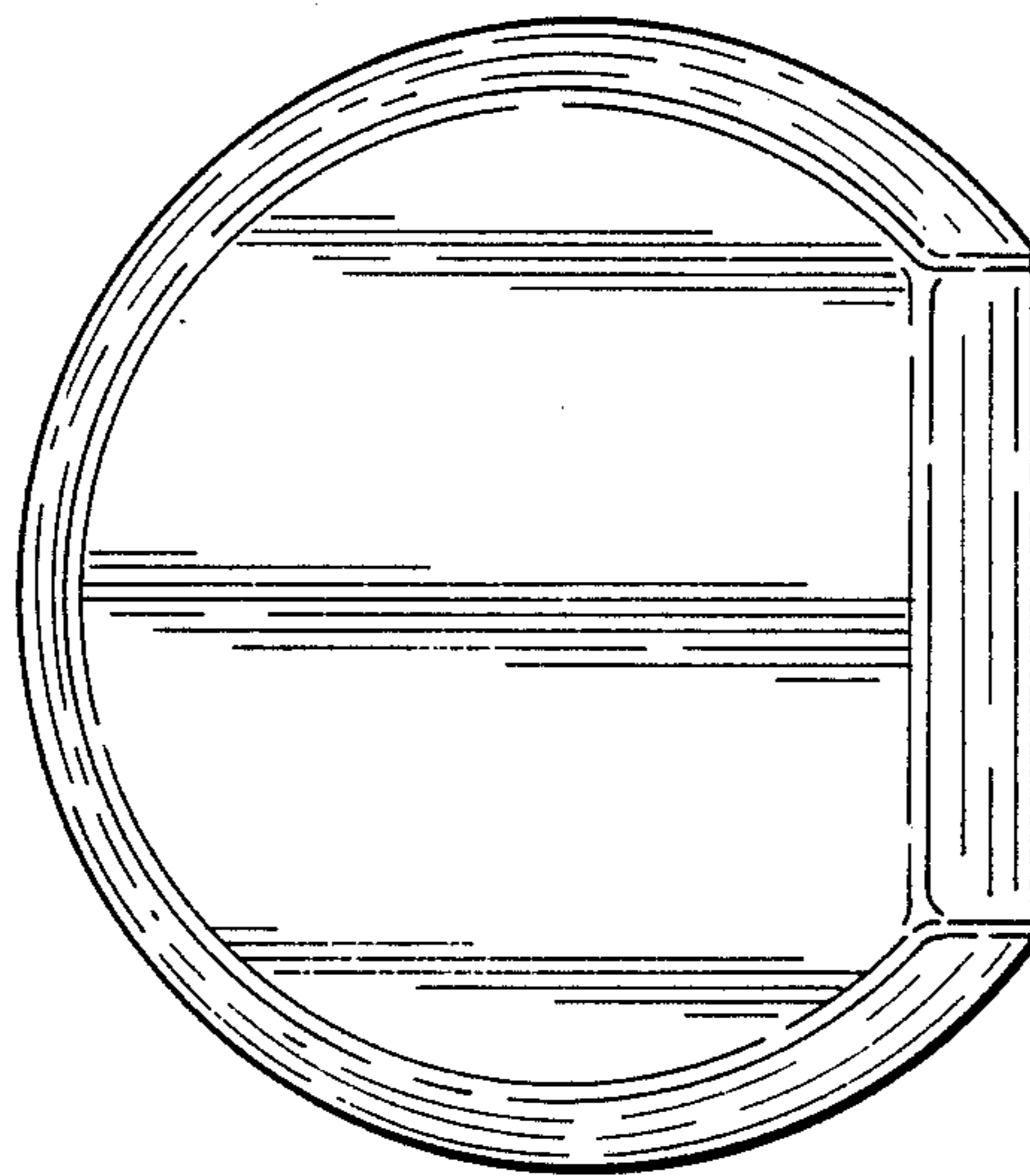


FIG. 8

