

[54] **RAZOR HANDLE**
[75] **Inventor: Jill M. Shurtleff, South Boston, Mass.**
[73] **Assignee: The Gillette Company, Boston, Mass.**
[**] **Term: 14 Years**
[21] **Appl. No.: 161,665**
[22] **Filed: Feb. 29, 1988**
[52] **U.S. Cl. D28/48**
[58] **Field of Search D28/45-48; 30/32, 85, 86**

D. 279,824 7/1985 Halm D28/48
1,417,988 5/1922 Gullborg 30/46

Primary Examiner—Charles A. Rademaker
Assistant Examiner—David Jeo
Attorney, Agent, or Firm—Owen J. Meegan; Aubrey C. Brine; Scott R. Foster

[57] **CLAIM**

The ornamental design for a razor handle, as shown.

DESCRIPTION

FIG. 1 is a perspective view of a razor handle showing my new design;
FIG. 2 is a front elevational view thereof;
FIG. 3 is a rear elevational view thereof;
FIG. 4 is a bottom plan view thereof;
FIG. 5 is a top plan thereof;
FIG. 6 is a left side elevational view thereof; and
FIG. 7 is a right side elevational view thereof.

[56] **References Cited**
U.S. PATENT DOCUMENTS

D. 240,569 7/1976 Saito D28/46
D. 248,578 7/1978 Byrne D28/48
D. 268,291 3/1983 Jones D28/48

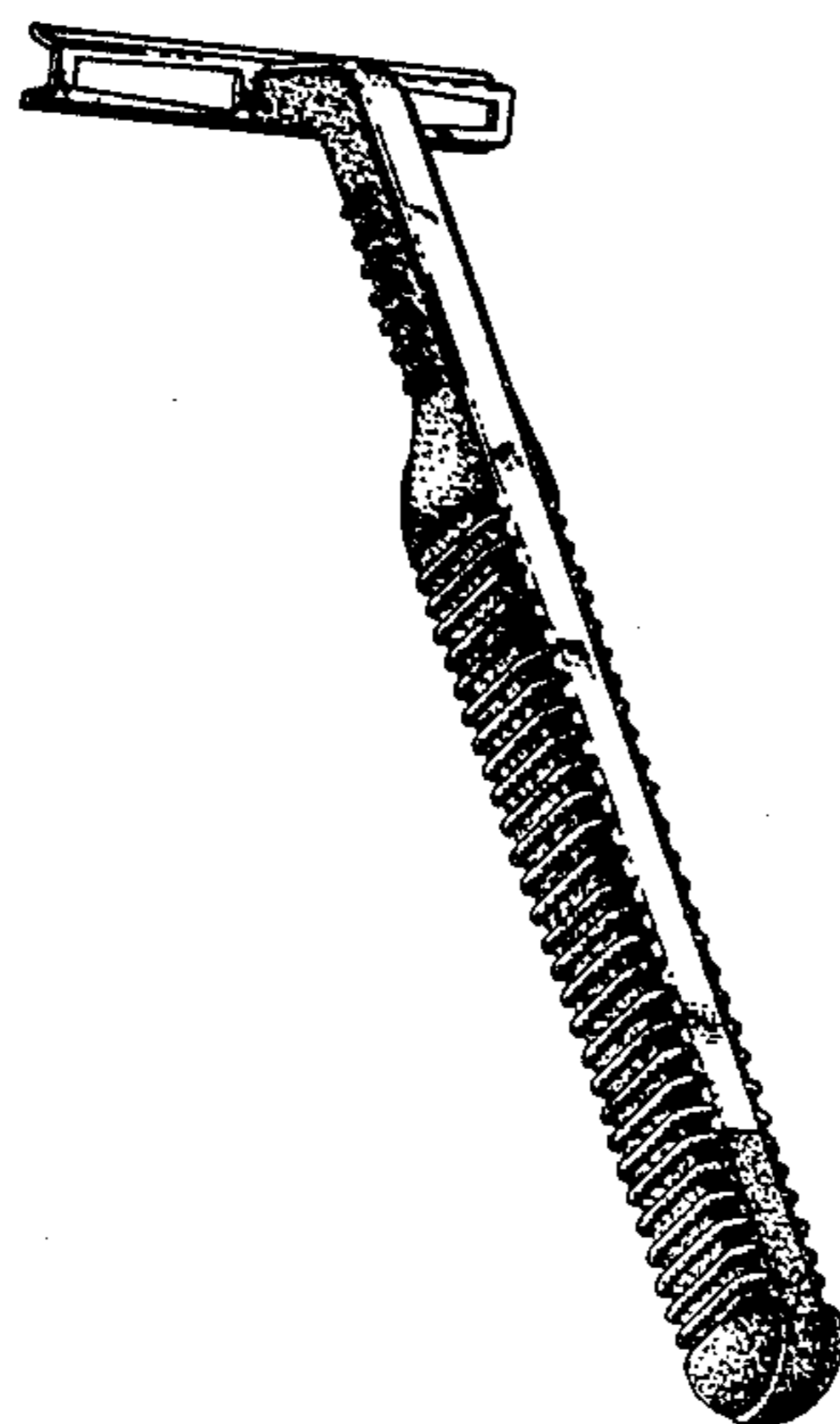
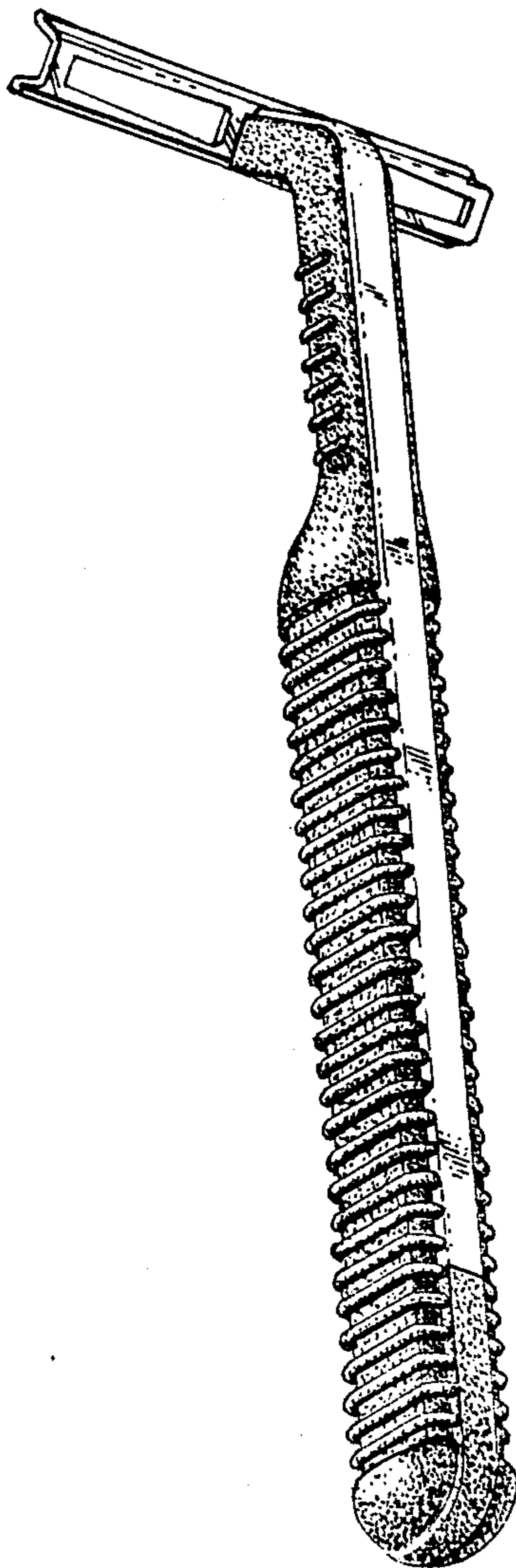


FIG. 1



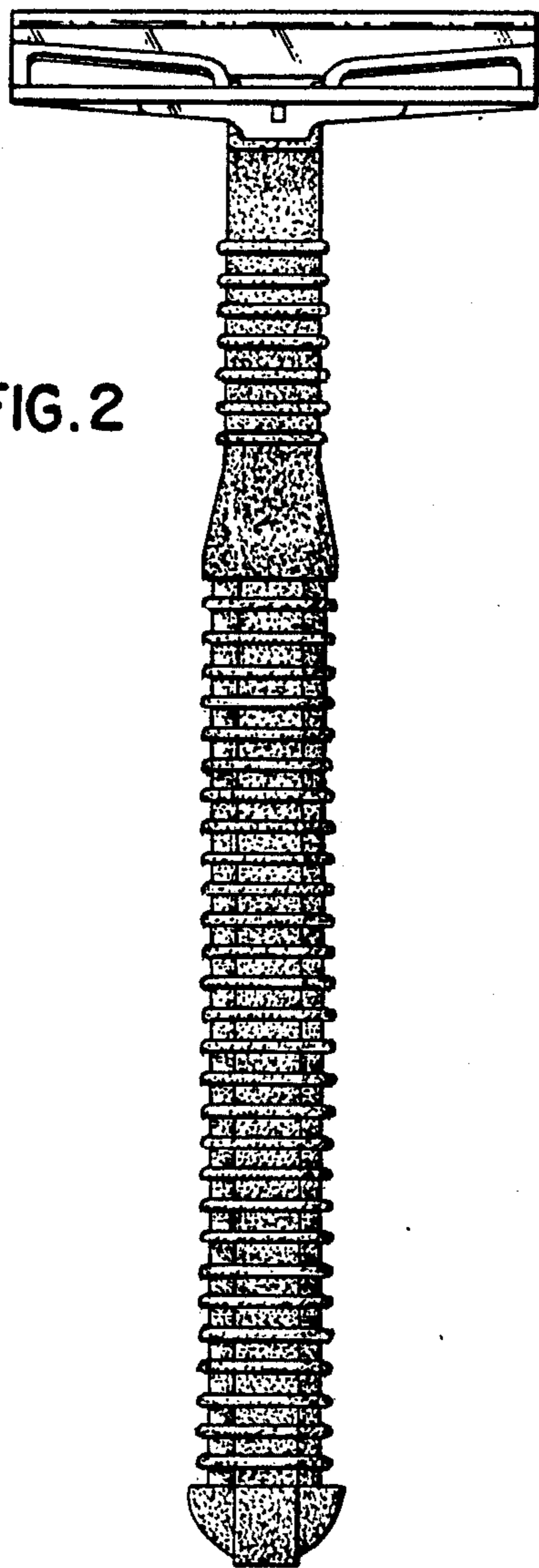


FIG. 2

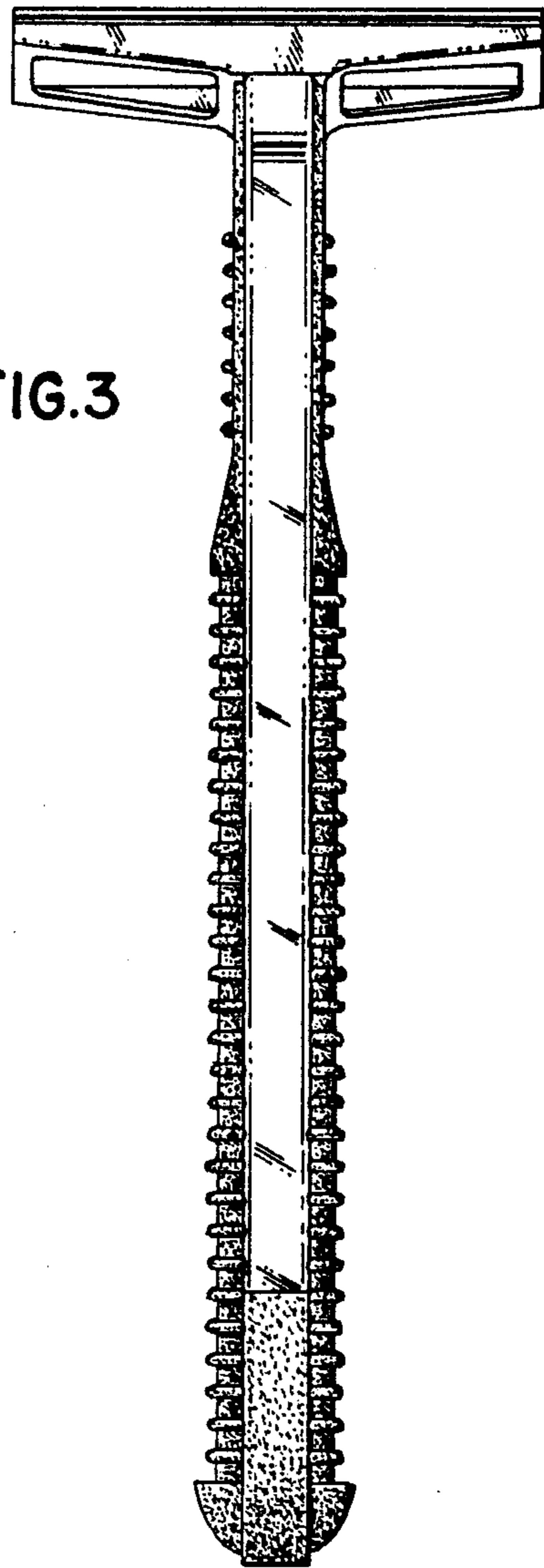


FIG. 3

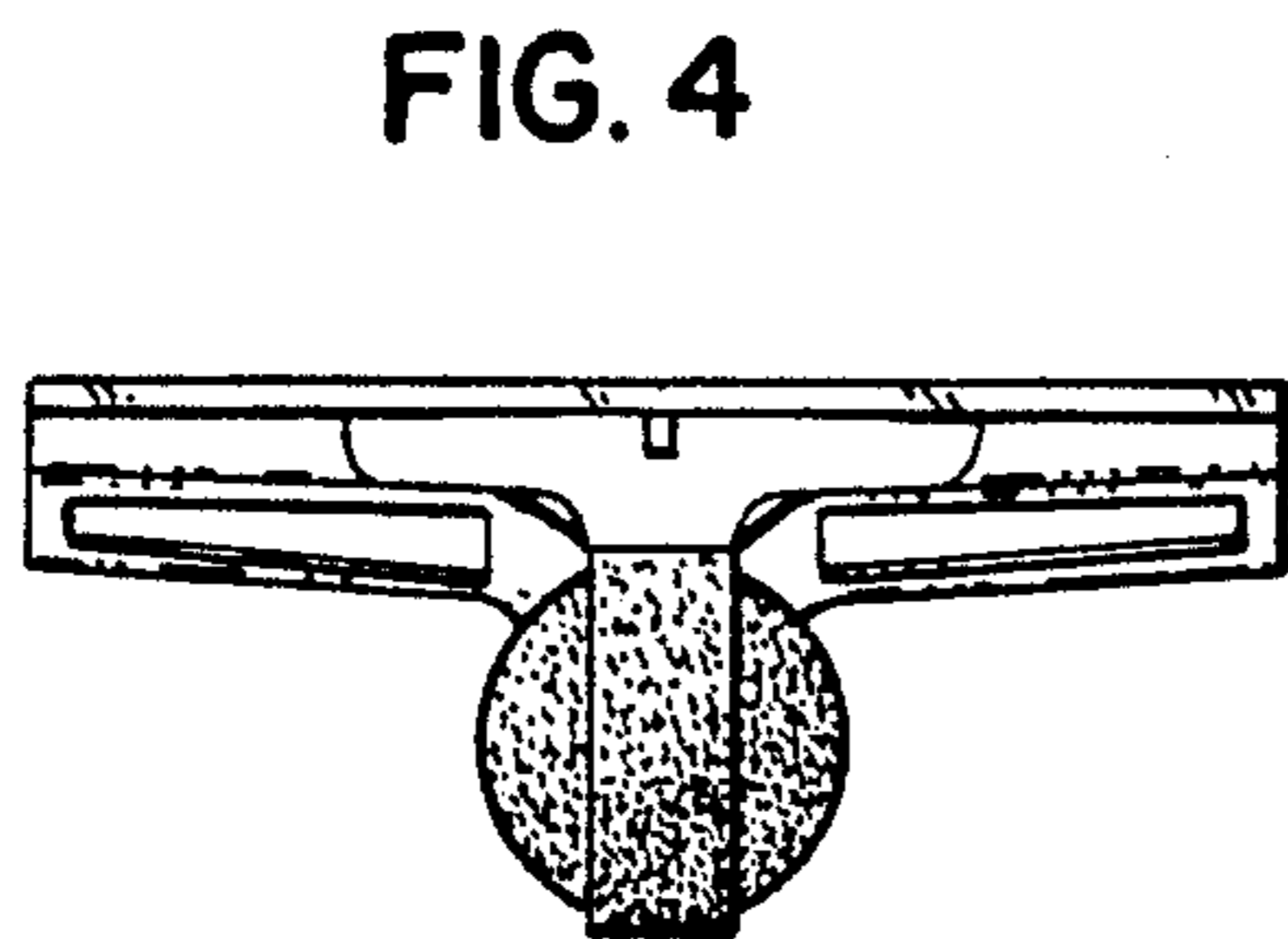


FIG. 4

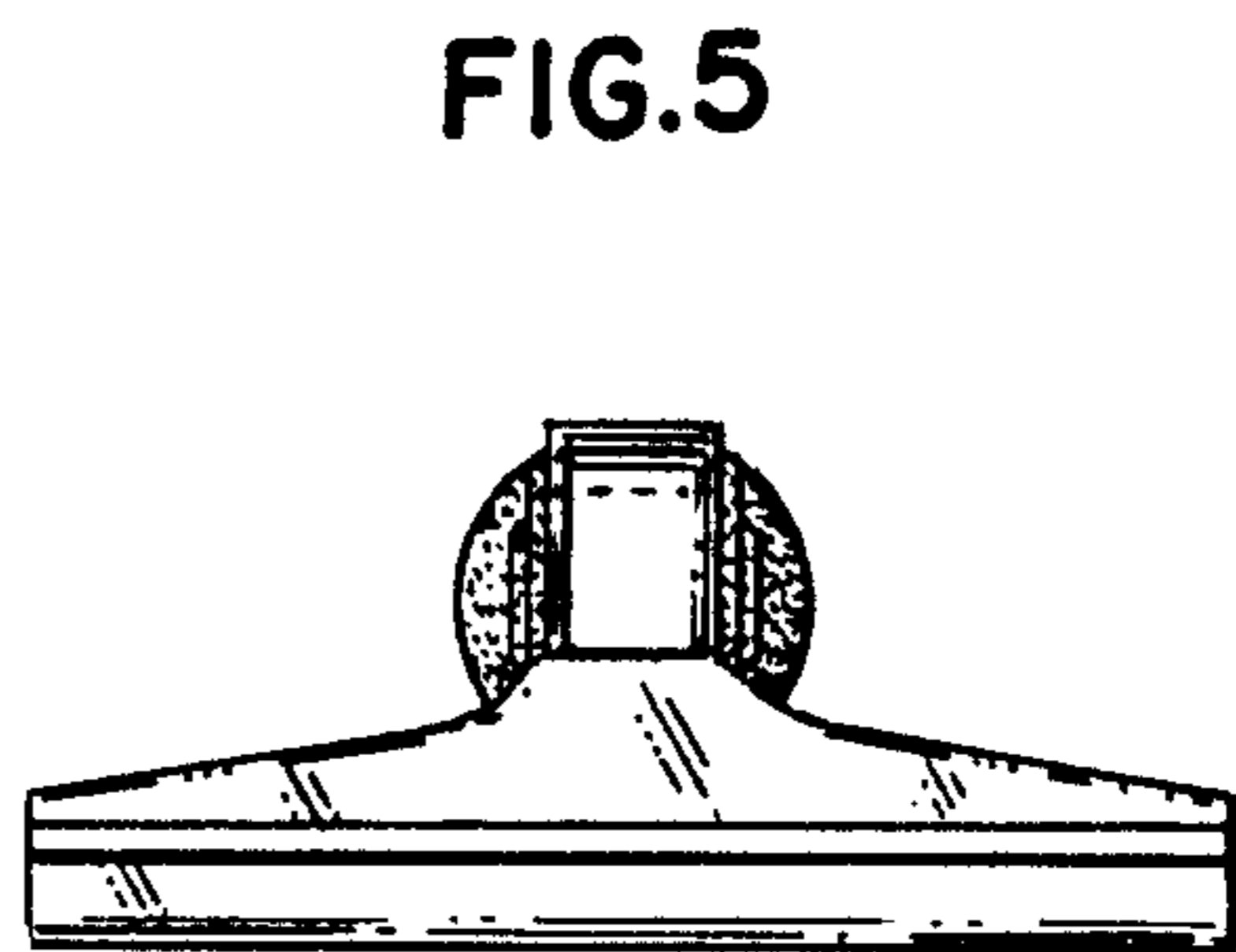


FIG. 5

FIG. 6

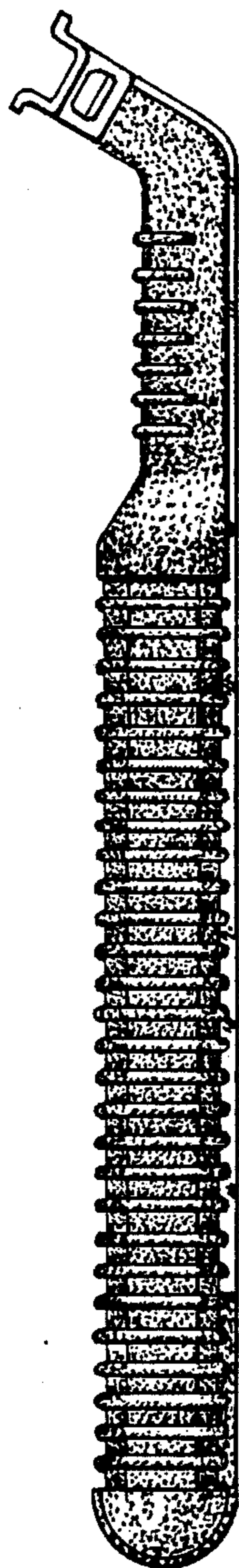


FIG. 7

