

[54] HAIR CRIMPING HEAD

[75] Inventors: Leandro P. Rizzuto, Greenwich, Conn.; Kit-Lun Leung, North Point; Hou-On Lo, Kowloon, both of Hong Kong

[73] Assignee: Conair Corporation, Stamford, Conn.

[\*\*] Term: 14 Years

[21] Appl. No.: 205,799

[22] Filed: Jun. 13, 1988

[52] U.S. Cl. .... D28/35

[58] Field of Search ..... D28/35, 38; 132/223-225, 229, 232, 269, 271; 219/222-226, 228, 230, 231, 249, 524, 525, 243

[56] References Cited

U.S. PATENT DOCUMENTS

278,944	6/1883	Hauce	132/225
628,580	7/1899	Gray	132/225
1,449,632	3/1927	Talbot	219/525 X

1,455,696	5/1928	Wright	219/525 X
4,242,567	12/1980	Carter	132/224
4,739,151	4/1988	Smal	132/225 X

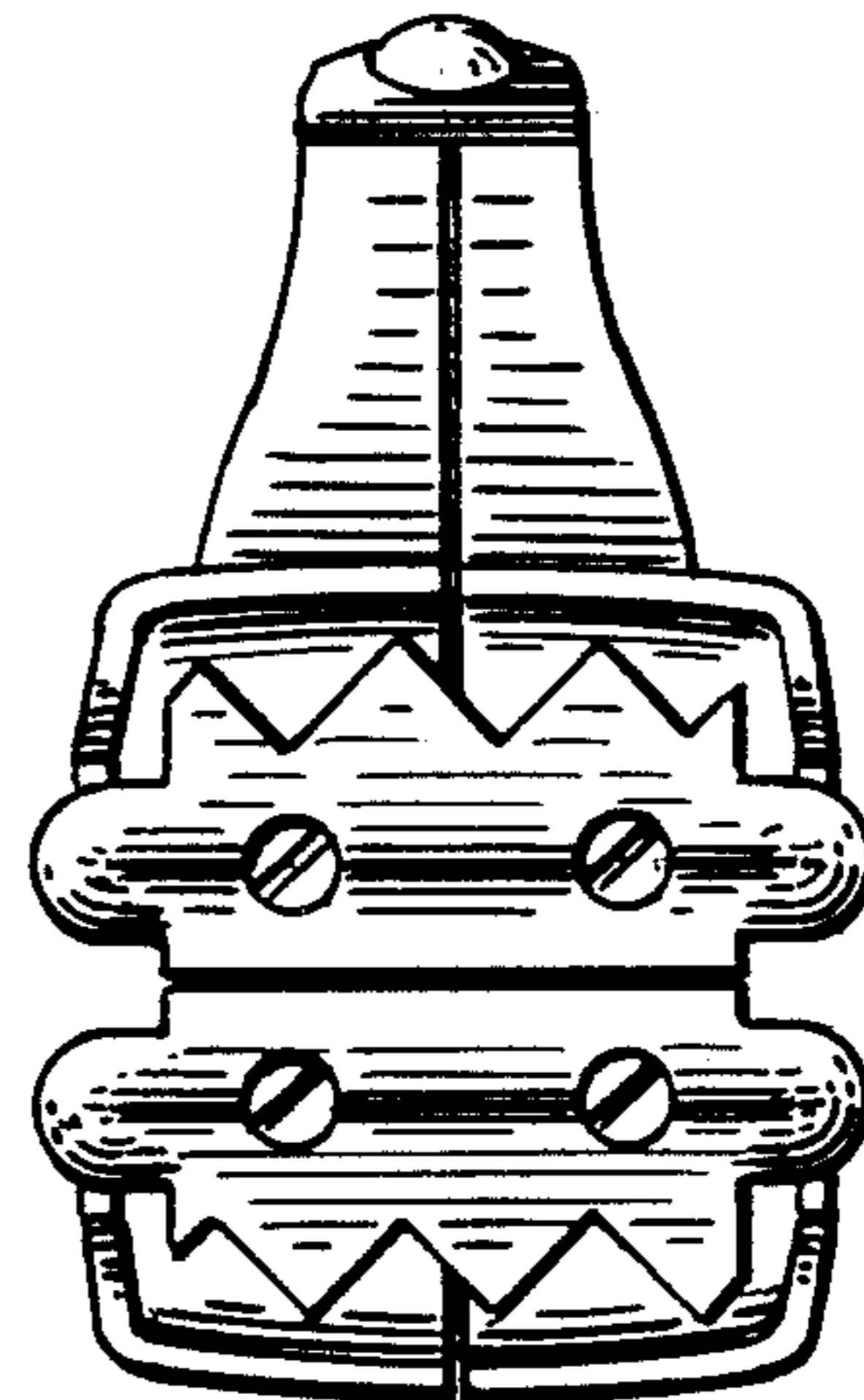
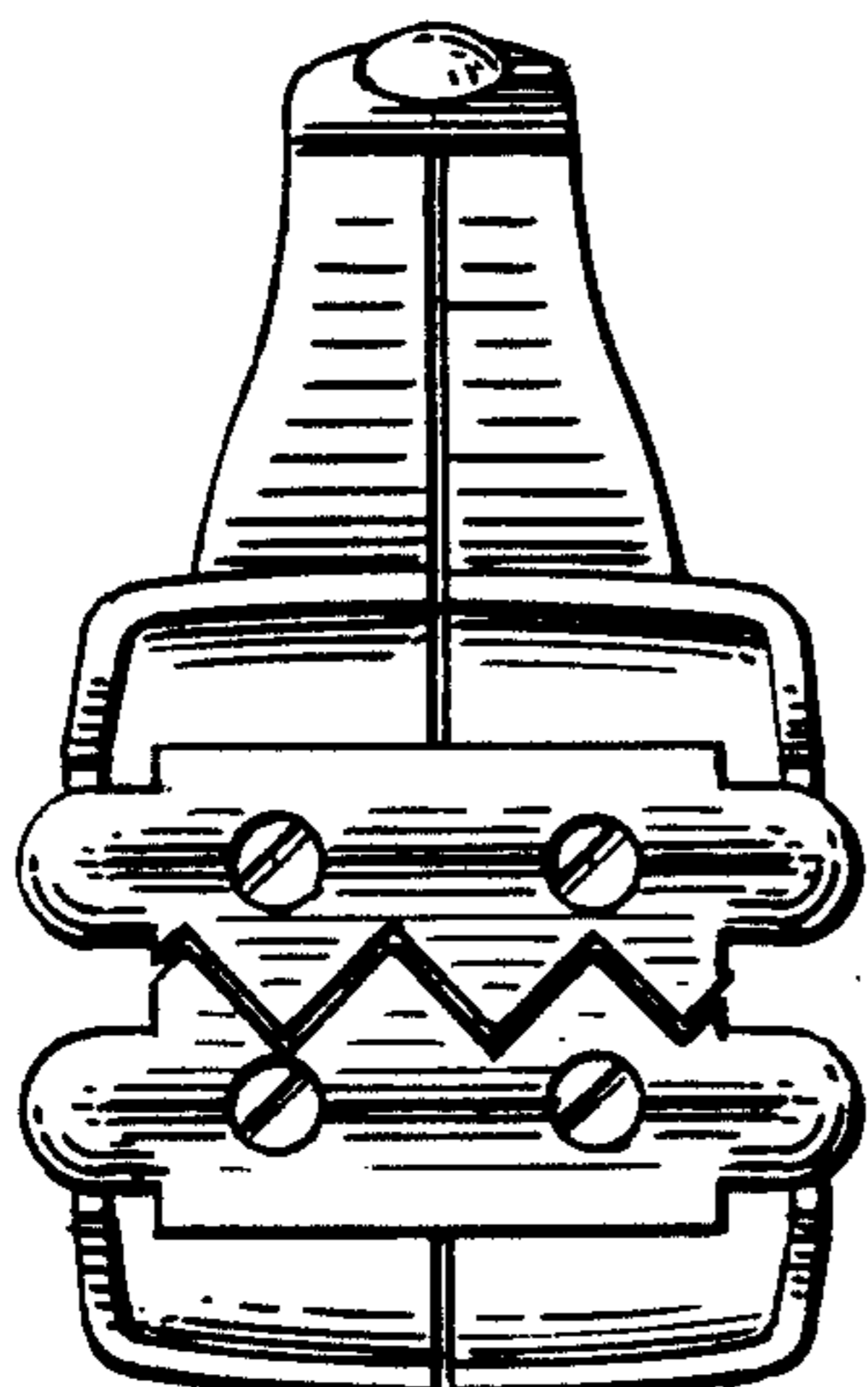
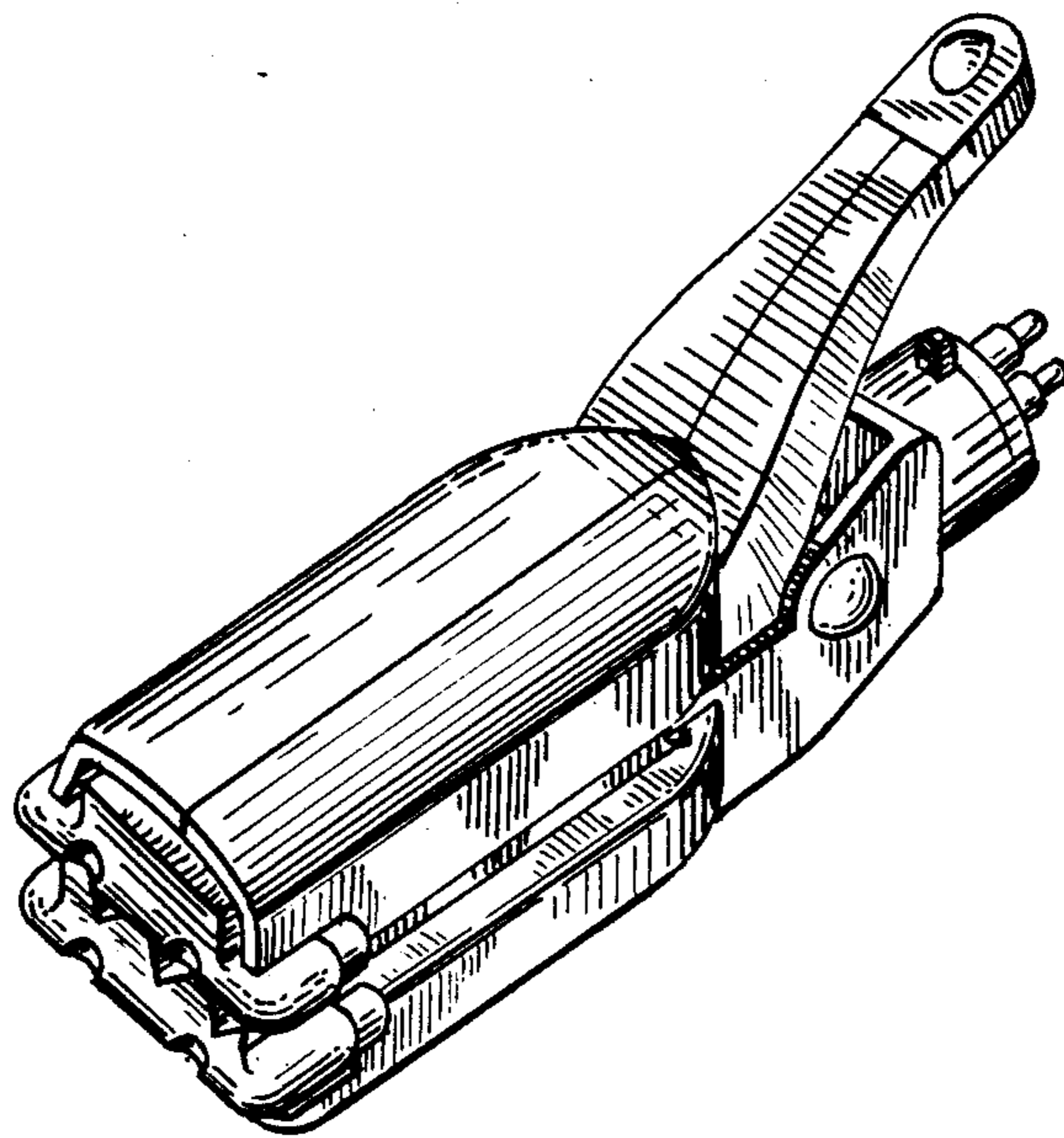
Primary Examiner—Bernard Ansher  
Assistant Examiner—C. Tuttle  
Attorney, Agent, or Firm—Haynes N. Johnson

[57] CLAIM

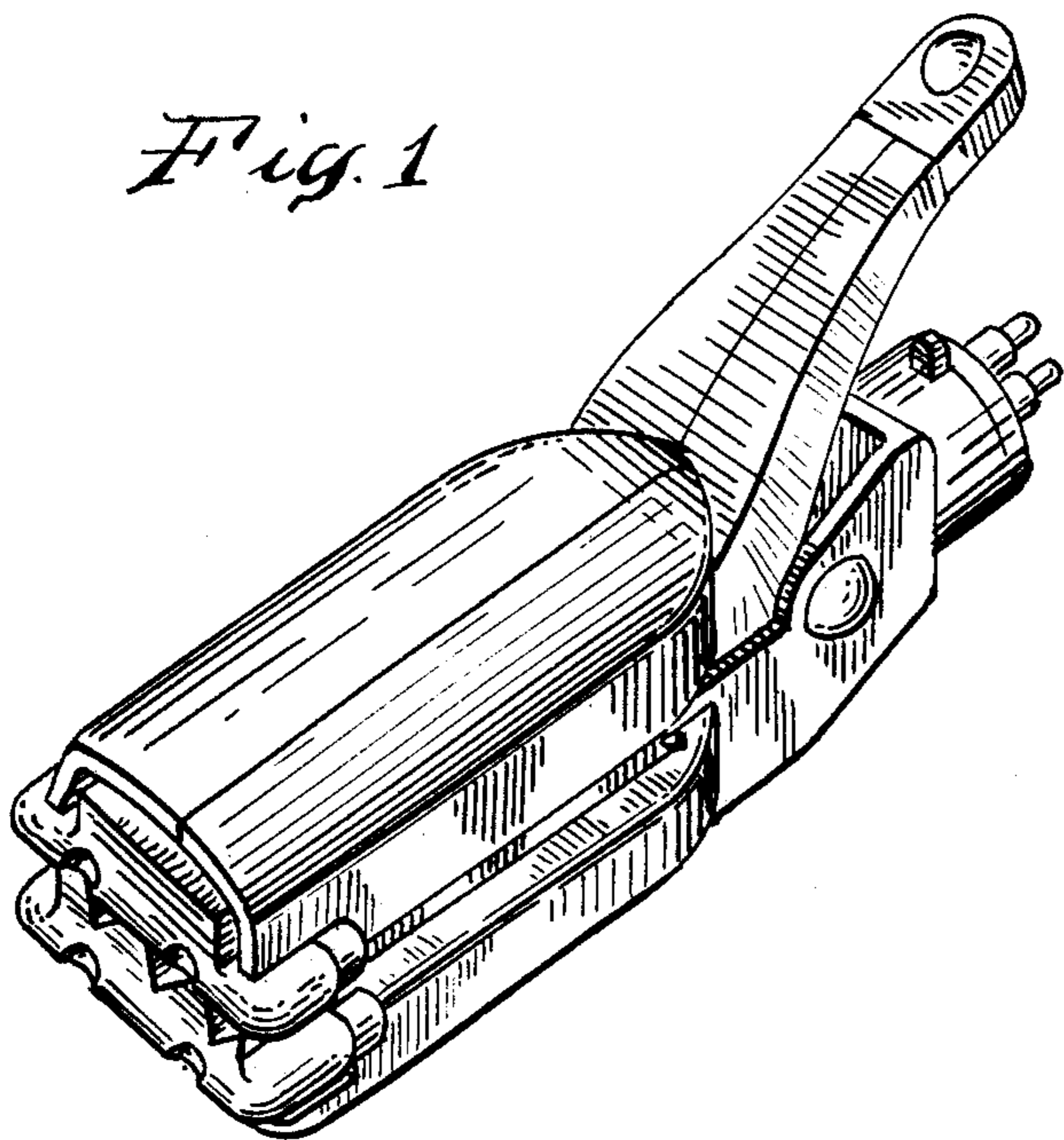
The ornamental design for a hair crimping head, as shown and described.

DESCRIPTION

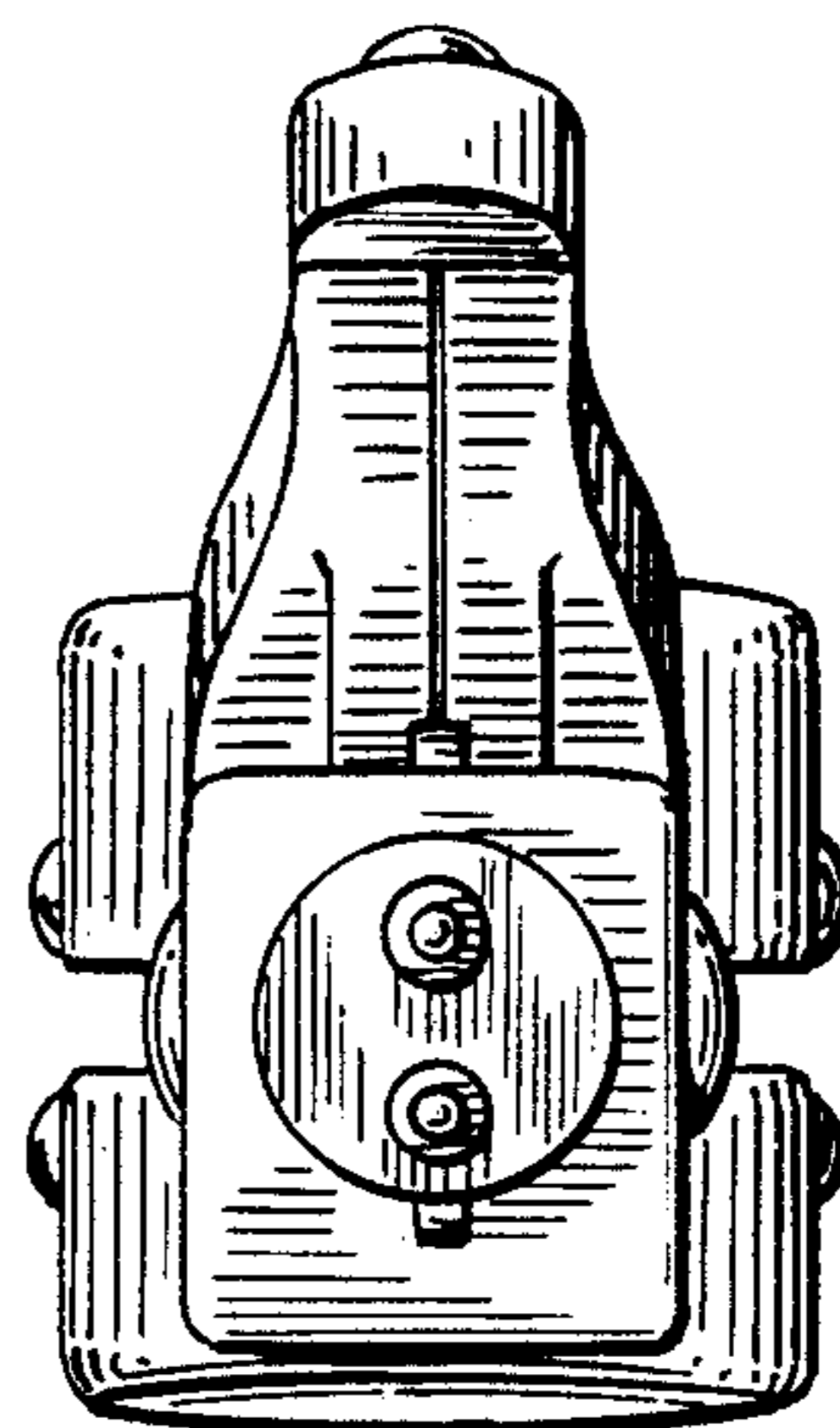
FIG. 1 is a top left front perspective view of a hair crimping head showing our new design; FIG. 2 is a top plan view thereof; FIG. 3 is a left side elevational view thereof; FIG. 4 is a rear elevational view thereof; FIG. 5 is a right side elevational view thereof; FIG. 6 is a bottom plan view thereof; FIG. 7 is a front elevational view thereof; and FIG. 8 is a front elevational view thereof, with the hair crimping heads in an alternate position from that shown in FIGS. 1 and 7.



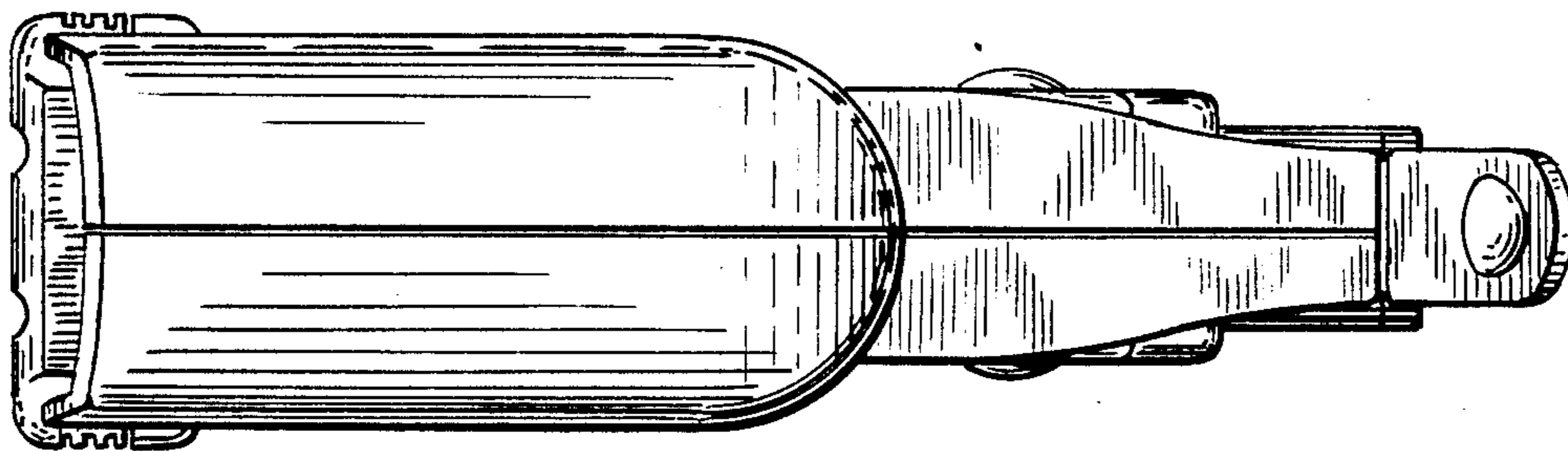
*Fig. 1*



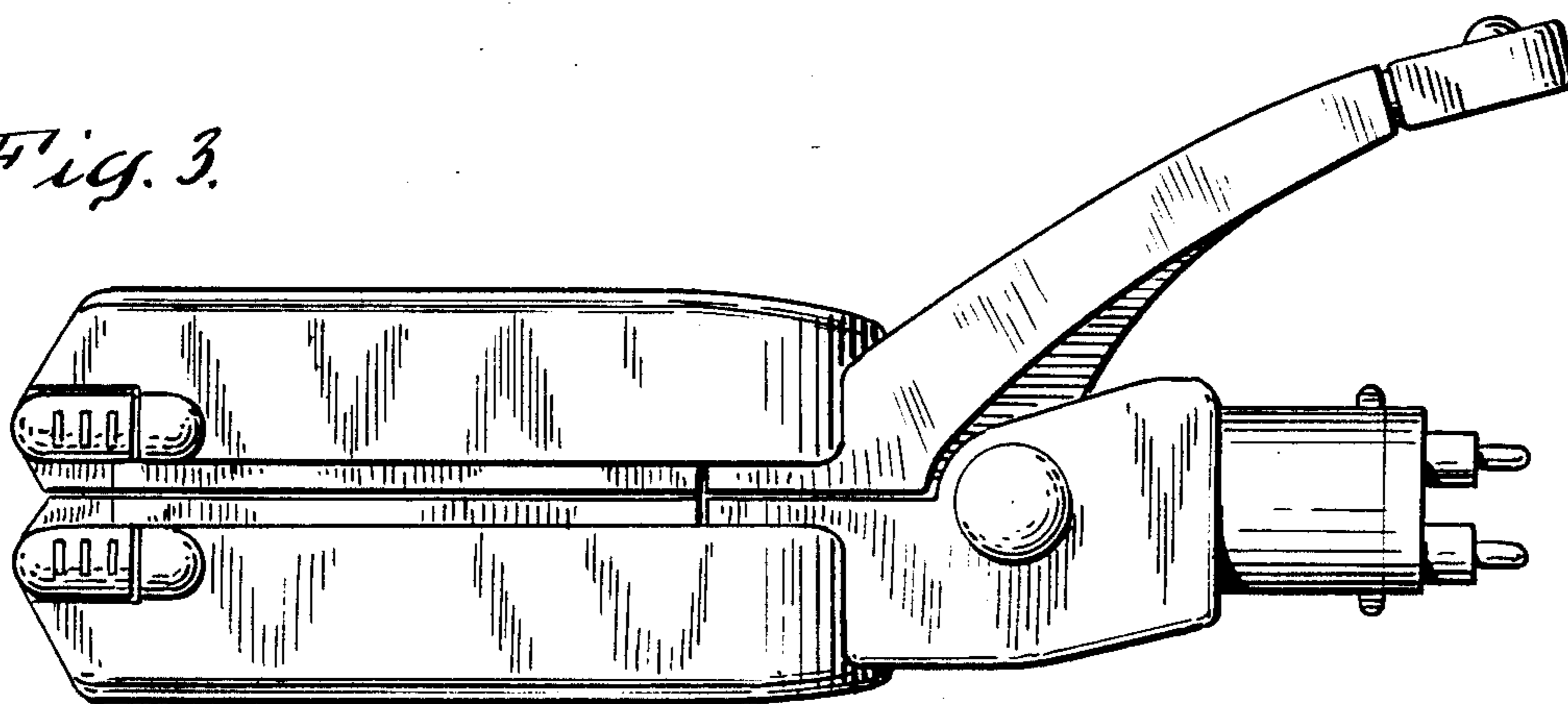
*Fig. 4*



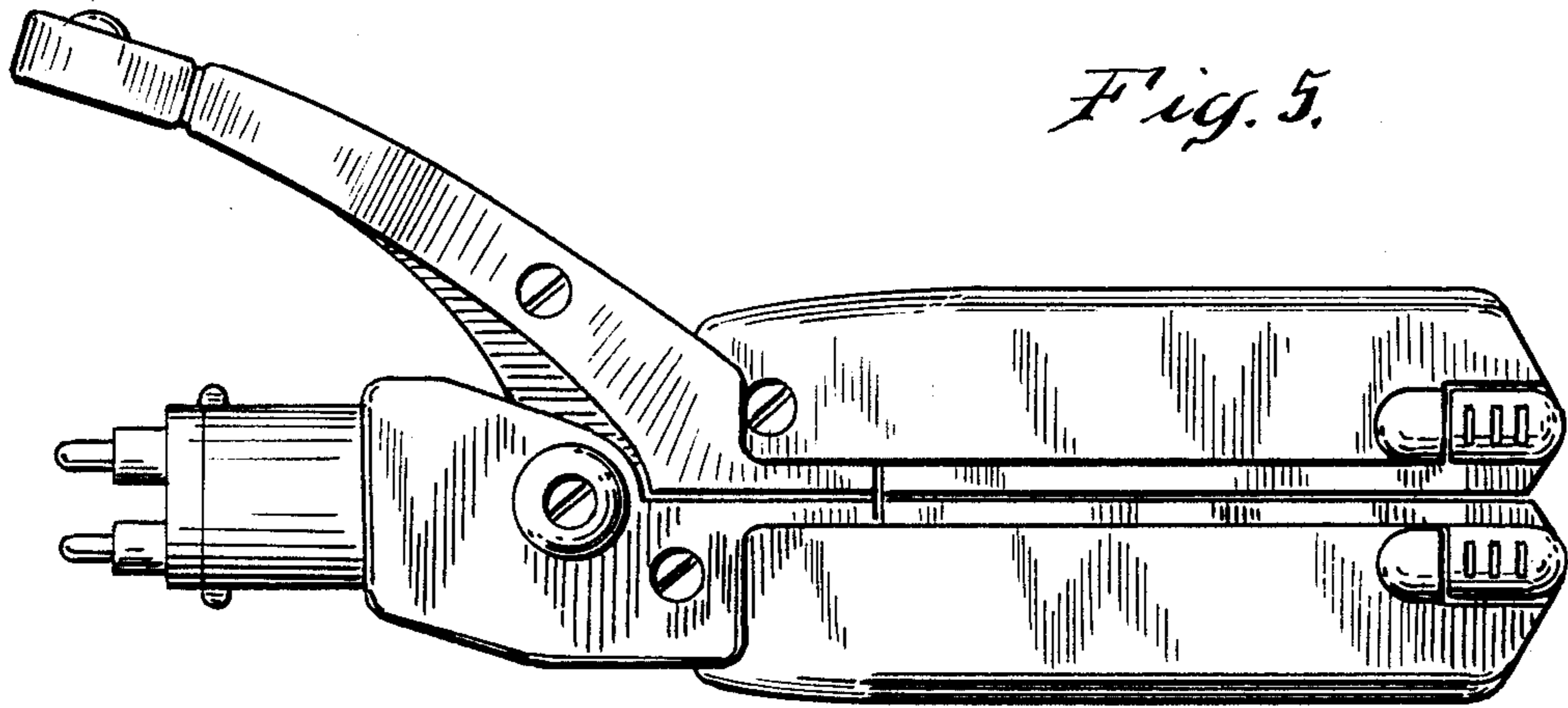
*Fig. 2*



*Fig. 3*

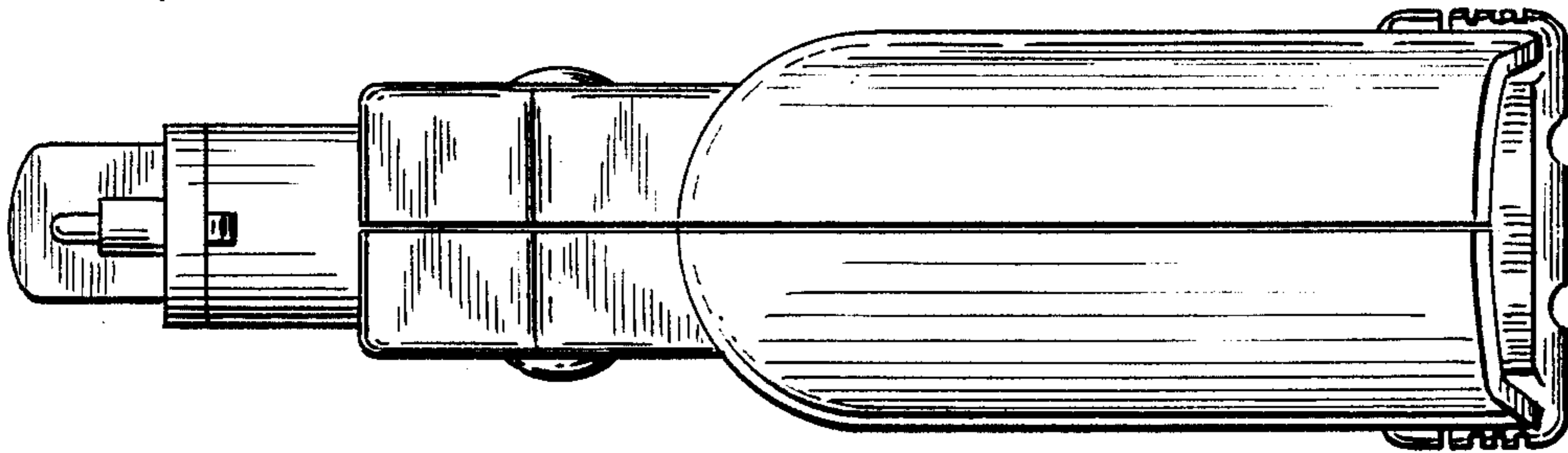




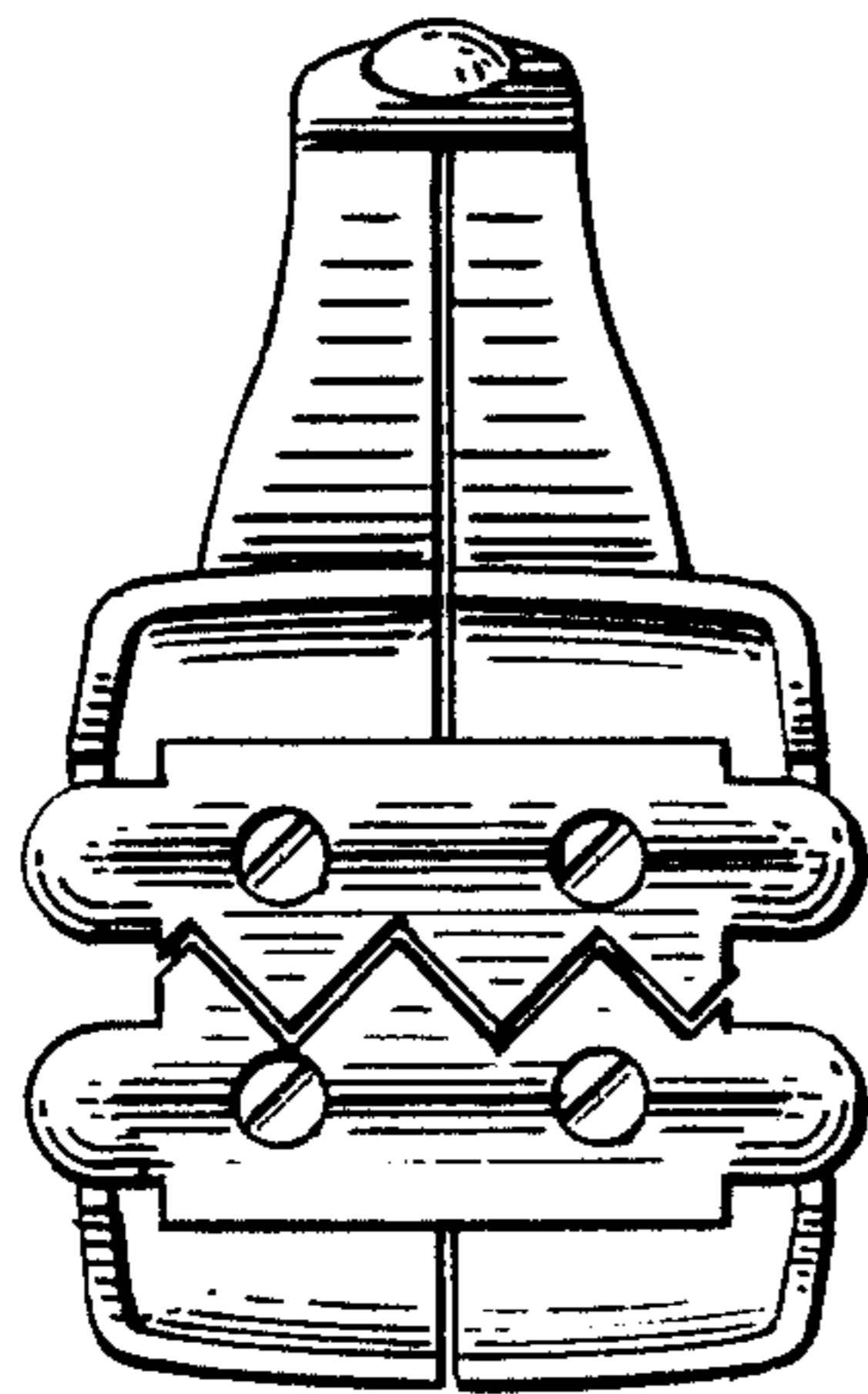


*Fig. 5.*

*Fig. 6.*



*Fig. 7.*



*Fig. 8.*

