

[54] ASHTRAY

2,951,488 9/1960 Agee ..... 131/256  
4,142,537 3/1979 Fenelon ..... 131/242.6

[75] Inventors: William A. Harder, Shinglehouse, Pa.; Guy Cassaday, Riverside, R.I.

Primary Examiner—Susan J. Lucas  
Assistant Examiner—Joel Sincavage  
Attorney, Agent, or Firm—Hodgson Russ Andrews Woods & Goodyear

[73] Assignee: Har-Col Enterprises, Inc., Olean, N.Y.

[\*\*] Term: 14 Years

[57] CLAIM

[21] Appl. No.: 289,579

The ornamental design for an ashtray, shown and described.

[22] Filed: Dec. 23, 1988

[52] U.S. Cl. .... D27/135

DESCRIPTION

[58] Field of Search ..... D27/102, 134, 135, 136, D27/107, 122, 123, 124, 125, 133, 134, 135; 131/231, 242, 242.6, 256, 236

FIG. 1 is a perspective view of an ashtray showing our new design;  
FIG. 2 is a top plan view thereof;  
FIG. 3 is a bottom plan view thereof;  
FIG. 4 is an enlarged side elevational view of the ashtray as viewed in the direction indicated by the arrow 4 in FIG. 2; and  
FIG. 5 is an enlarged side elevational view of the improved ashtray as viewed in the direction indicated by the arrow 5 in FIG. 2.

[56] References Cited

U.S. PATENT DOCUMENTS

- D. 189,114 10/1960 Albert ..... 131/242.6 X
- D. 280,555 9/1985 Grube ..... D27/133
- D. 297,374 8/1988 Hilger ..... D27/135
- 2,505,351 4/1950 Dickson ..... 131/242

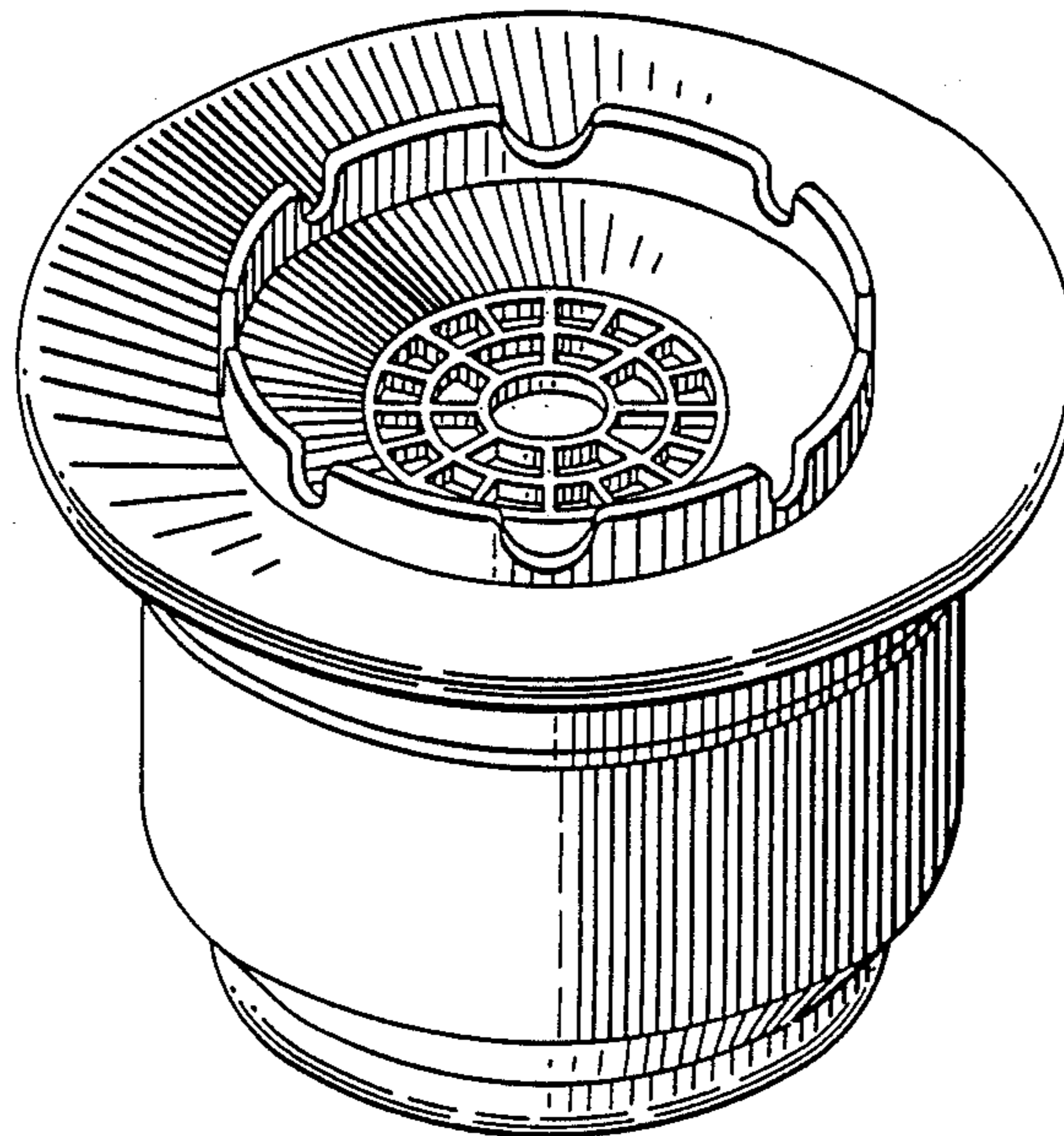


Fig. 1.

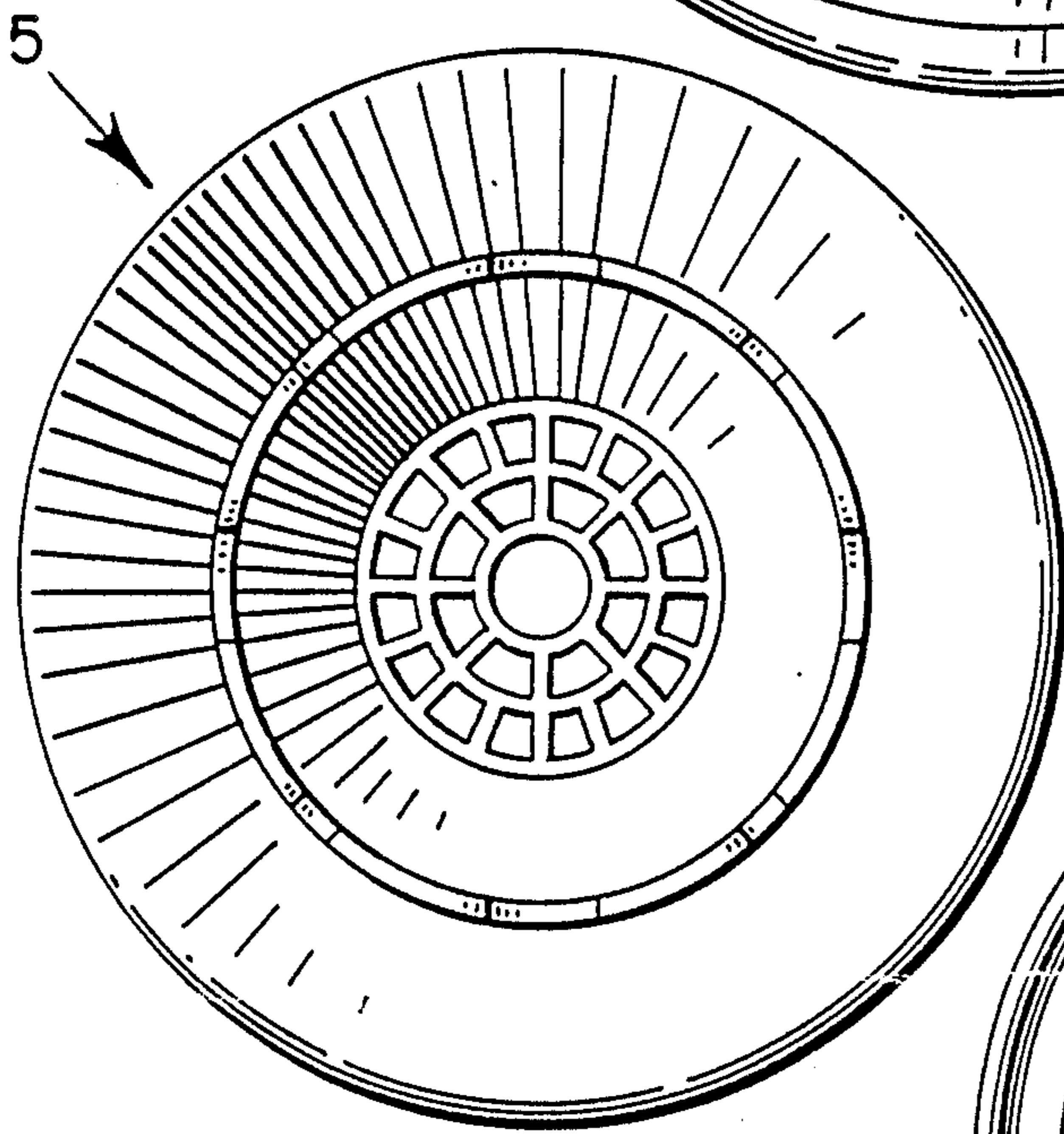
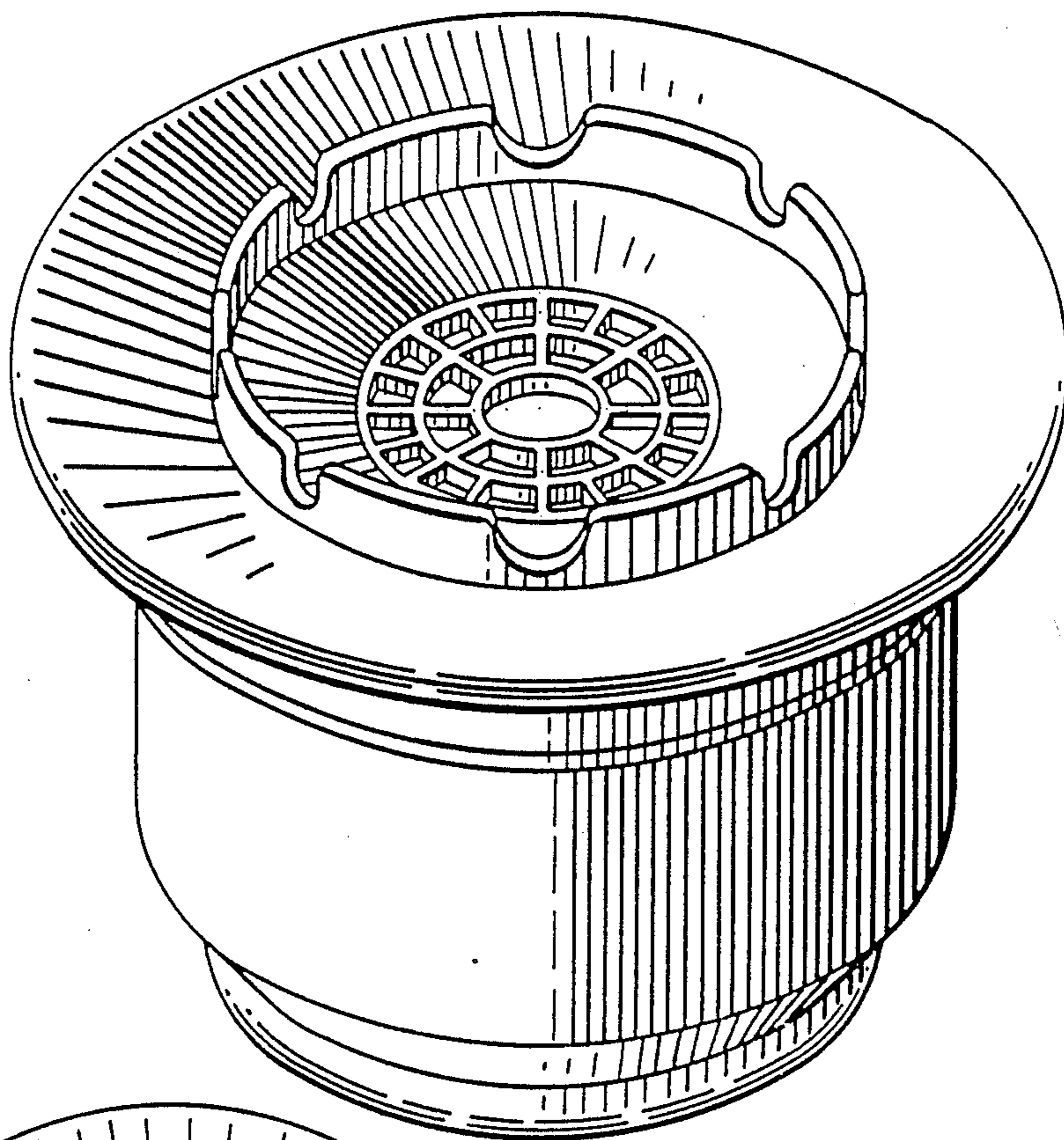


Fig. 2.

Fig. 3.

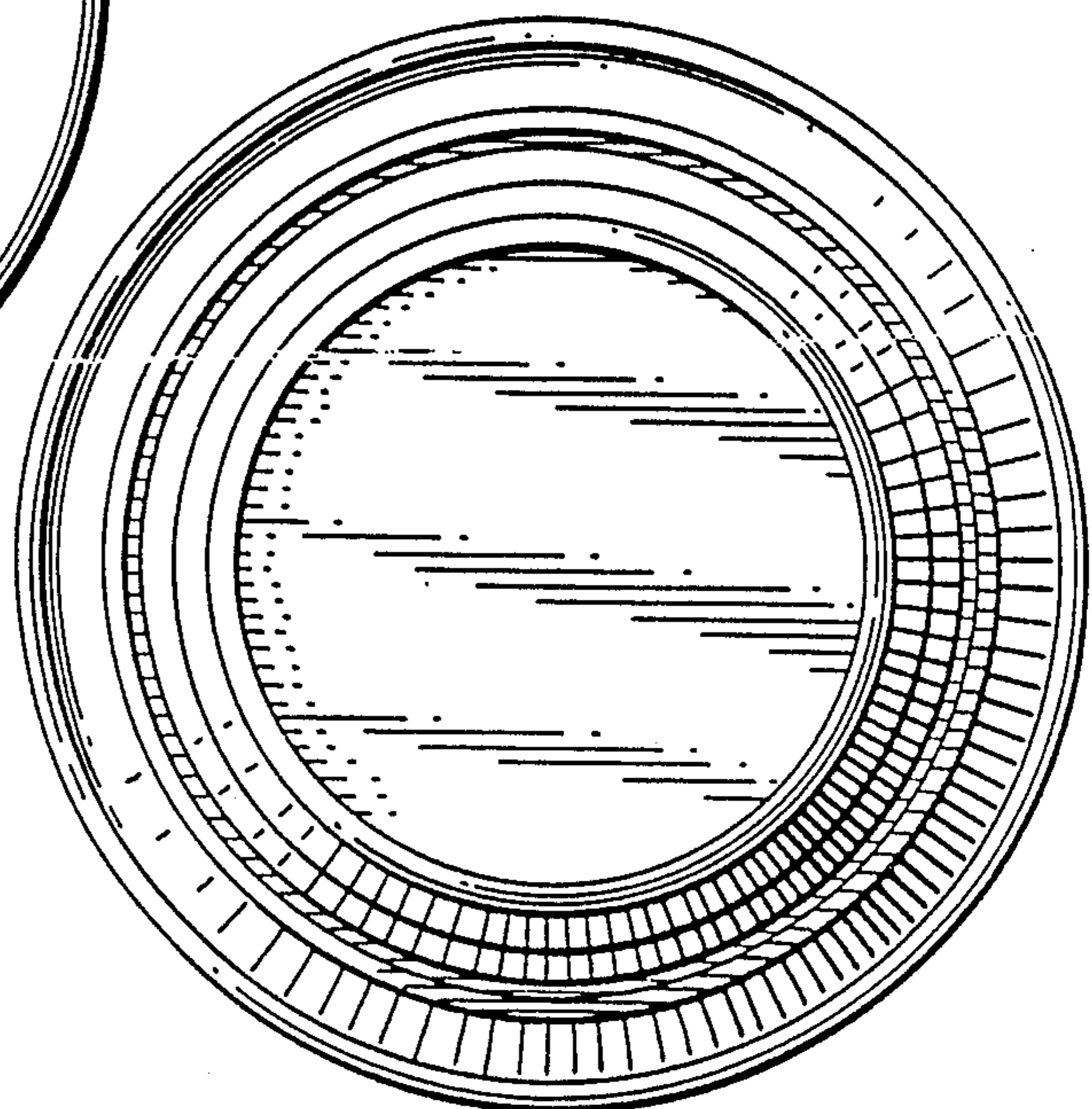


Fig. 4.

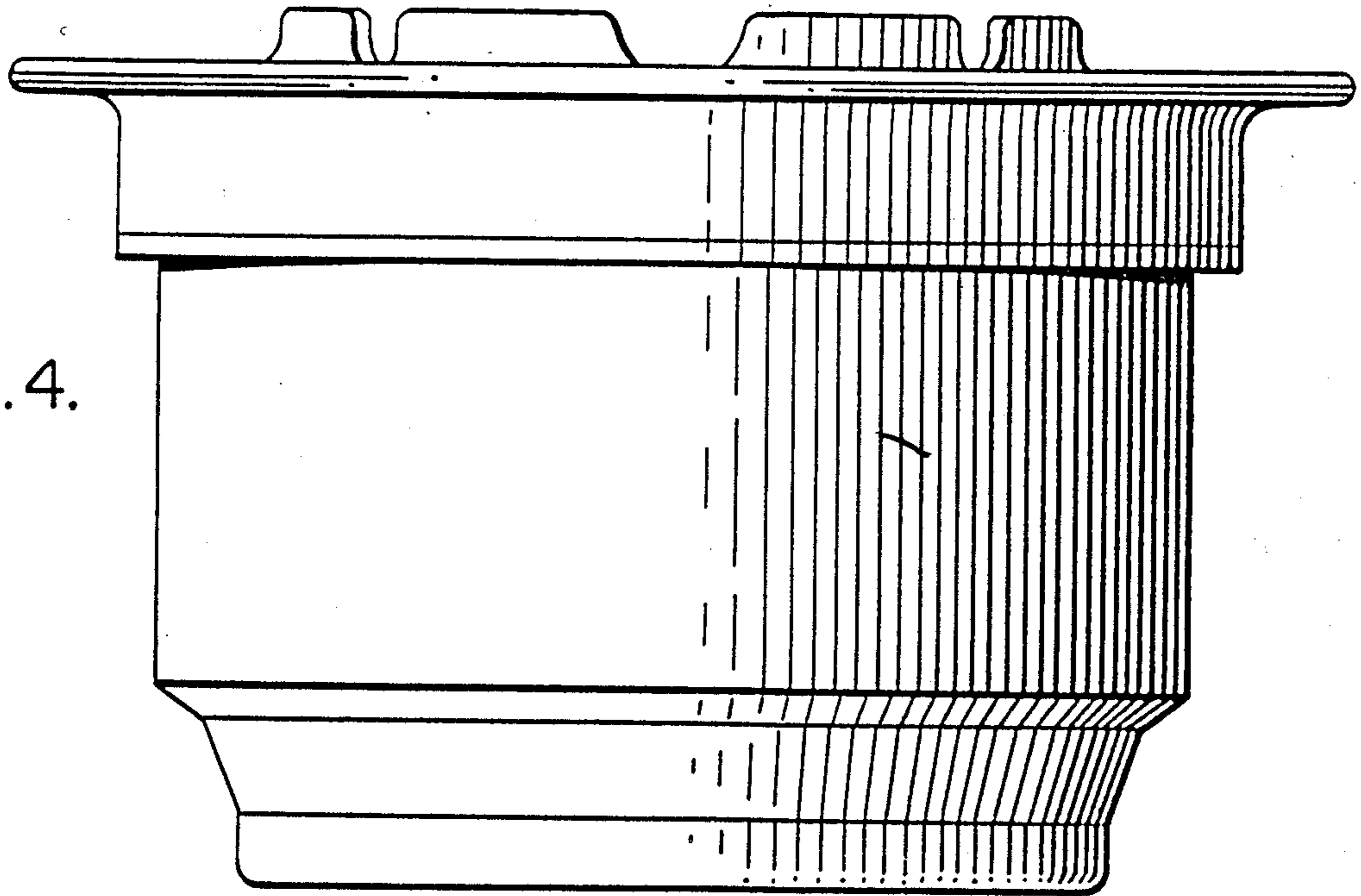


Fig. 5.

