

[54] **COMBINED FRAME EXTRUSION AND SPLINE FOR FRAMING AWNINGS**

[76] **Inventor: Glorio J. Patsy, Jr., 3560 Strawberry La., Cumming, Ga. 30130**

[**] **Term: 14 Years**

[21] **Appl. No.: 361,112**

[22] **Filed: Jun. 5, 1989**

[52] **U.S. Cl. D25/119**

[58] **Field of Search D25/119, 122, 123, 124; 49/501, 502, 504, DIG. 1, DIG. 2; 52/731, 732, 738; 160/371, 372, 373, 378, 380, 382, 383, 392, 395, 399**

[56] **References Cited**

U.S. PATENT DOCUMENTS

D. 218,295	8/1970	MacLellan et al.	D25/122
1,220,567	3/1917	Schuler et al.	160/395
2,287,667	1/1942	Brown	160/384
4,189,880	2/1980	Ballin	160/380
4,193,235	3/1980	Cucchiara	160/380
4,231,141	11/1980	Derrick et al.	160/380
4,817,655	4/1989	Brooks	160/392

Primary Examiner—A. Hugo Word

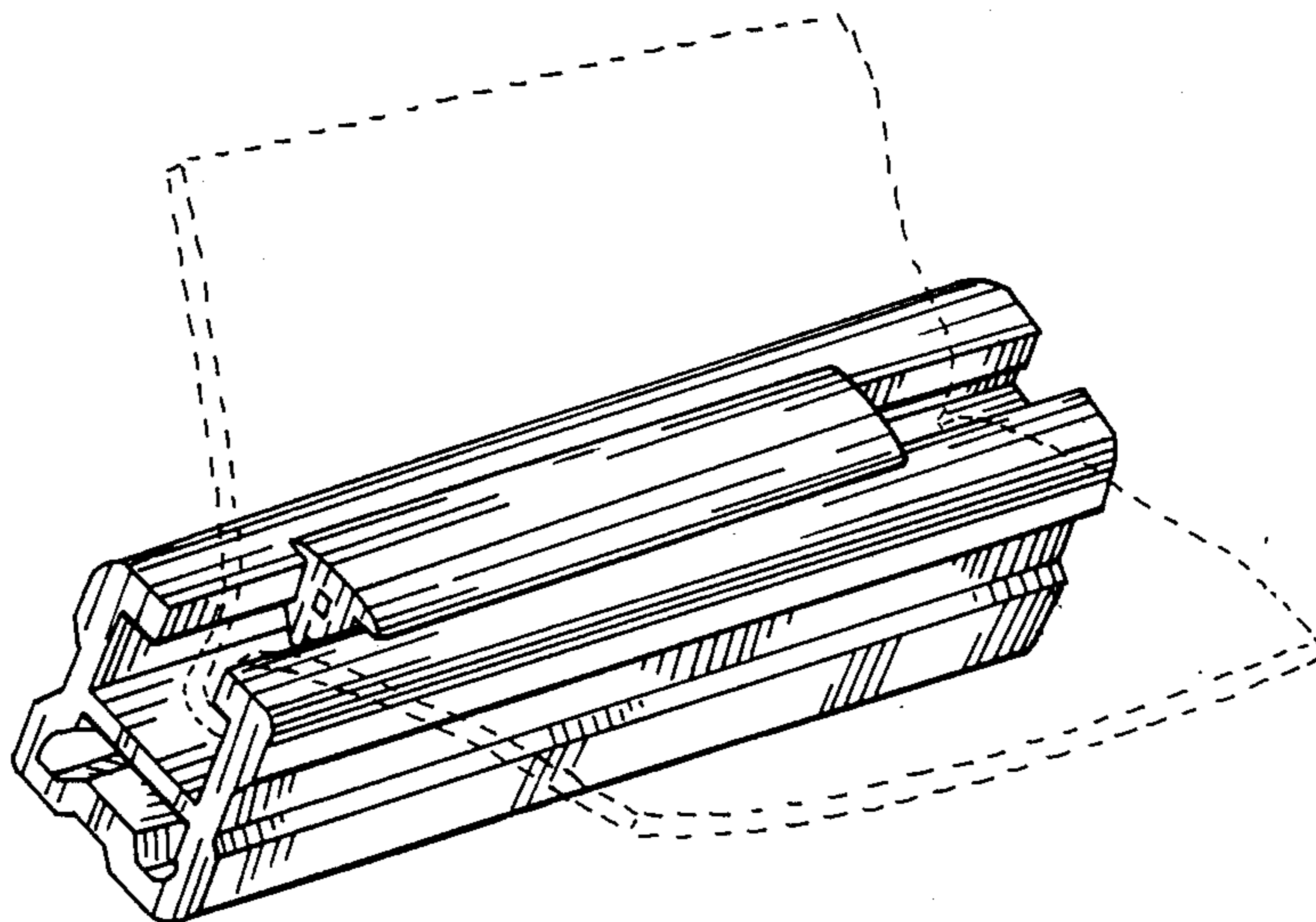
Assistant Examiner—Doris Clark
Attorney, Agent, or Firm—Richard C. Litman

[57] **CLAIM**

The ornamental design for a combined frame extrusion and spline for framing awnings, as shown and described.

DESCRIPTION

FIG. 1 is a perspective view of a combined frame extrusion and spline for framing awnings showing my new design, in unassembled position;
 FIG. 2 is a perspective view thereof in assembled position, the broken line showing of the secured awning fabric is for illustrative purposes only and forms no part of the claimed design;
 FIG. 3 is an end elevational view of the extrusion, the opposite end being a mirror image thereof;
 FIG. 4 is a top plan view thereof;
 FIG. 5 is a side elevational view, the opposite side being a mirror image thereof;
 FIG. 6 is an end elevational view of the spline, the opposite end being a mirror image thereof;
 FIG. 7 is a side elevational view, the opposite side being a mirror image thereof;
 FIG. 8 is a bottom plan view thereof; and
 FIG. 9 is a top plan view thereof.



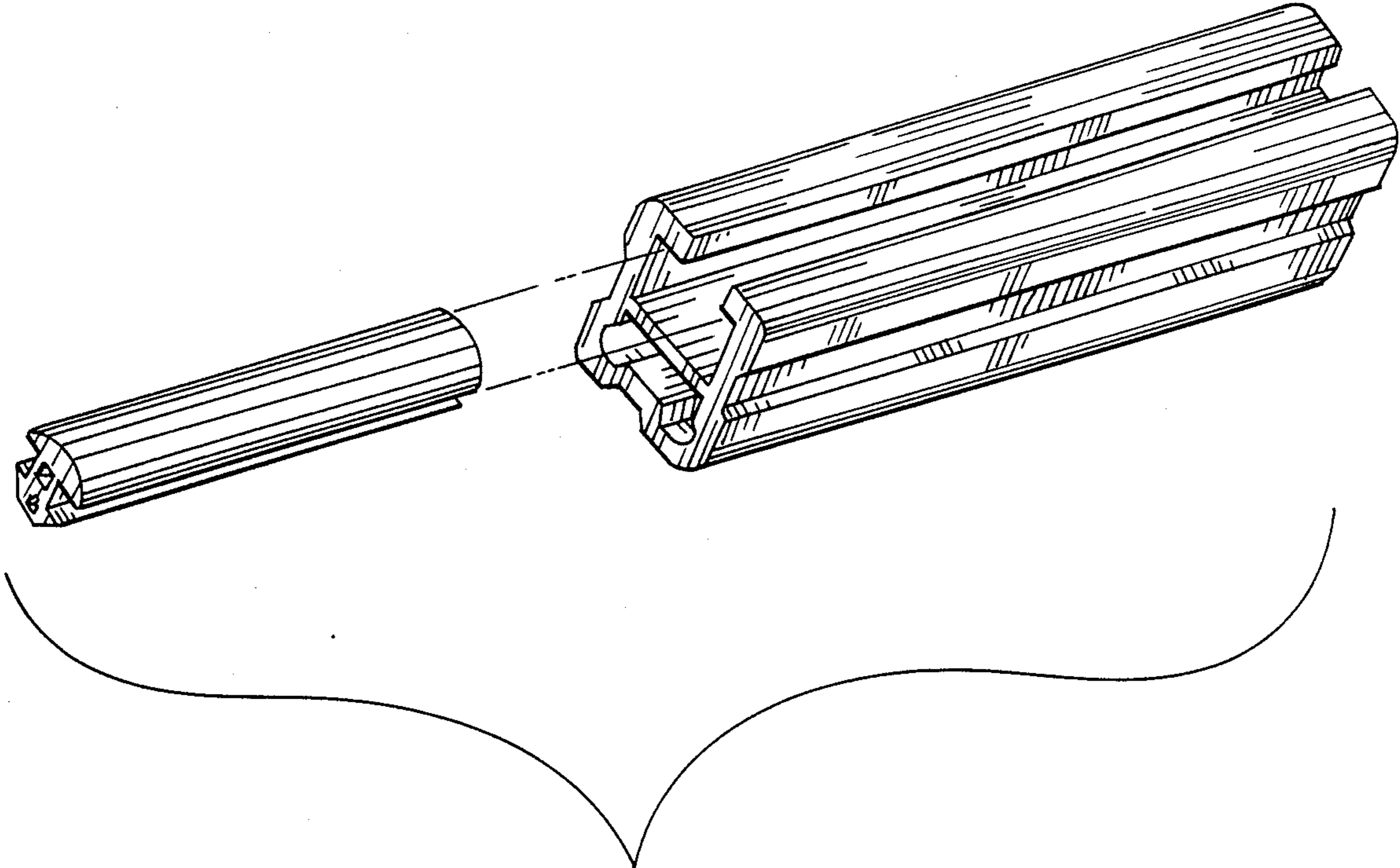


FIG. 1

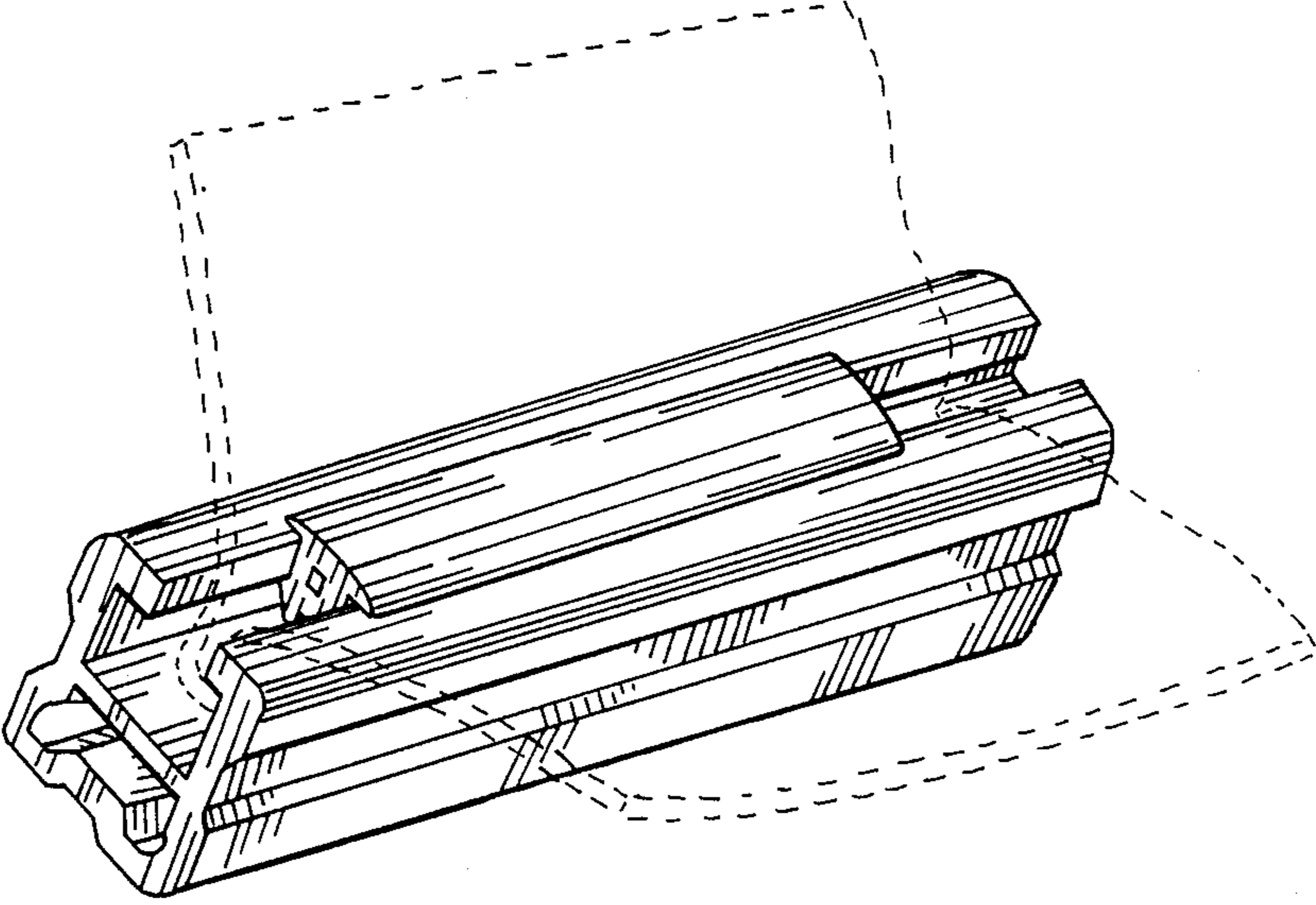


FIG. 2

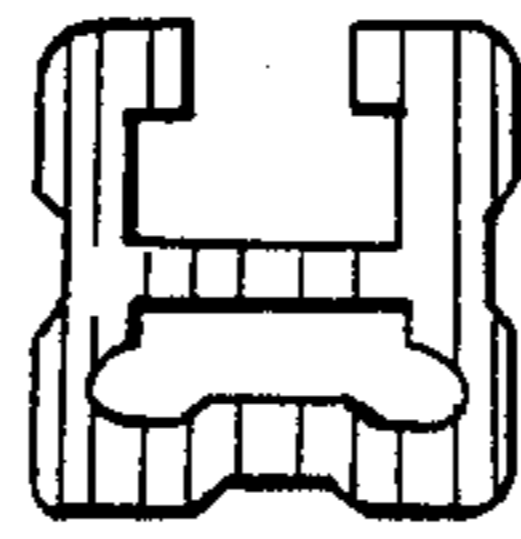


FIG. 3

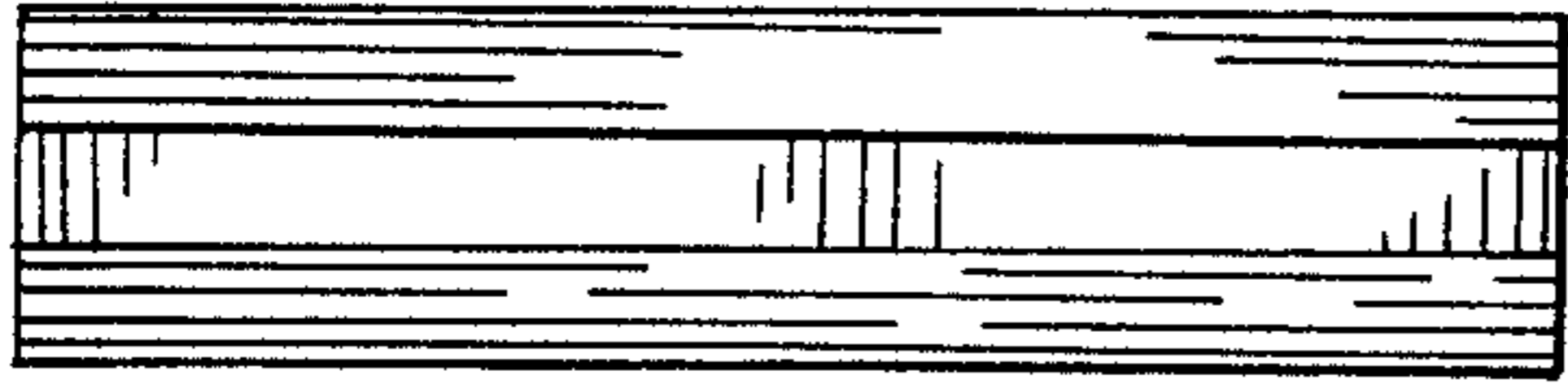


FIG. 4

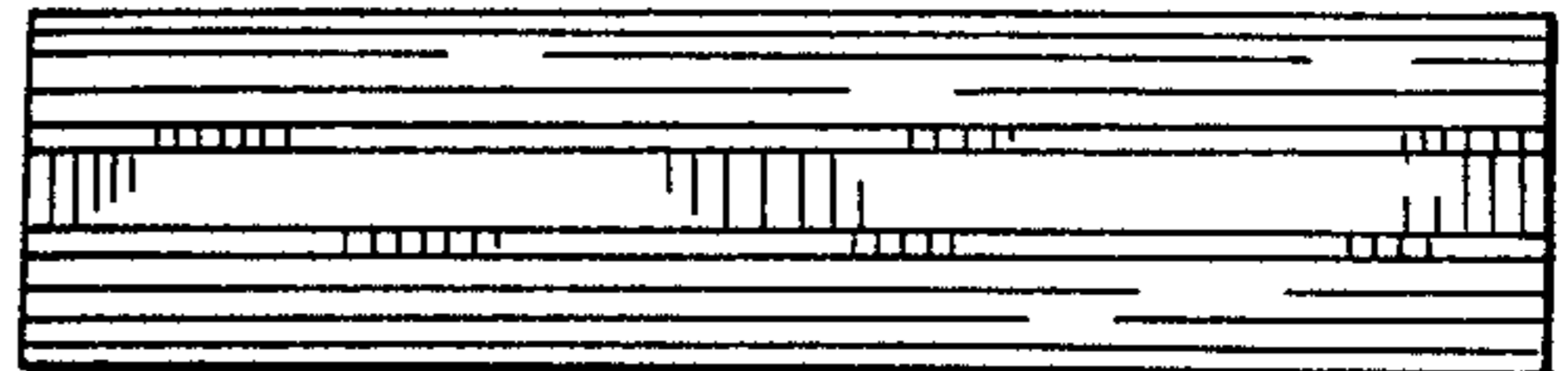


FIG. 5

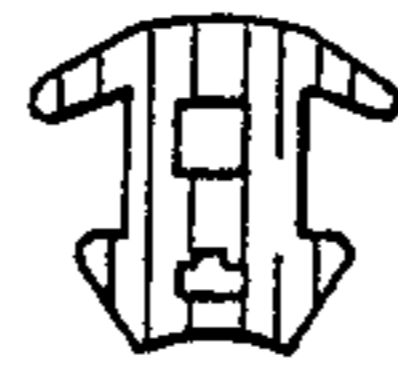


FIG. 6

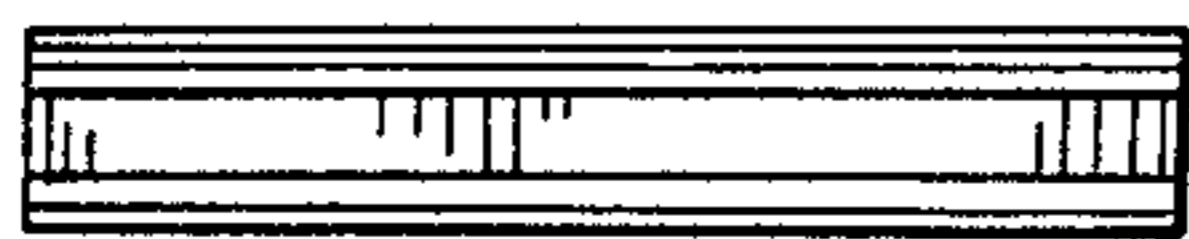


FIG. 7

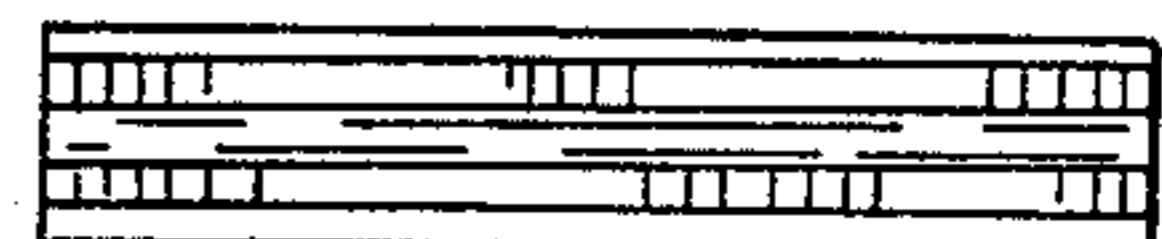


FIG. 8

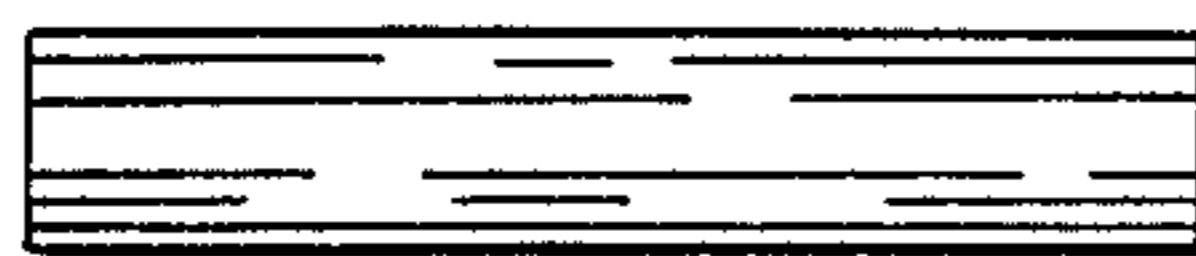


FIG. 9