

[54] SAMPLING ADAPTER FOR CARBON DIOXIDE MONITORING IN A RESPIRATORY SYSTEM

[75] Inventors: Antti Martikainen, Vantaa; Jorma Auvinen, Nummela, both of Finland

[73] Assignee: Instrumentarium Corp., Finland

[\*\*] Term: 14 Years

[21] Appl. No.: 118,645

[22] Filed: Nov. 9, 1987

[30] Foreign Application Priority Data

May 21, 1987 [FI] Finland ..... 416/87
[52] U.S. Cl. .... D24/17
[58] Field of Search ..... D24/17, 8; 128/719, 128/716, 725, 204.22, 205.12, 207.18

[56] References Cited

U.S. PATENT DOCUMENTS

4,423,739 1/1984 Passaro et al. .... 128/719
4,446,869 5/1984 Knodle ..... 128/716

4,619,269 10/1986 Cutler et al. .... 128/719

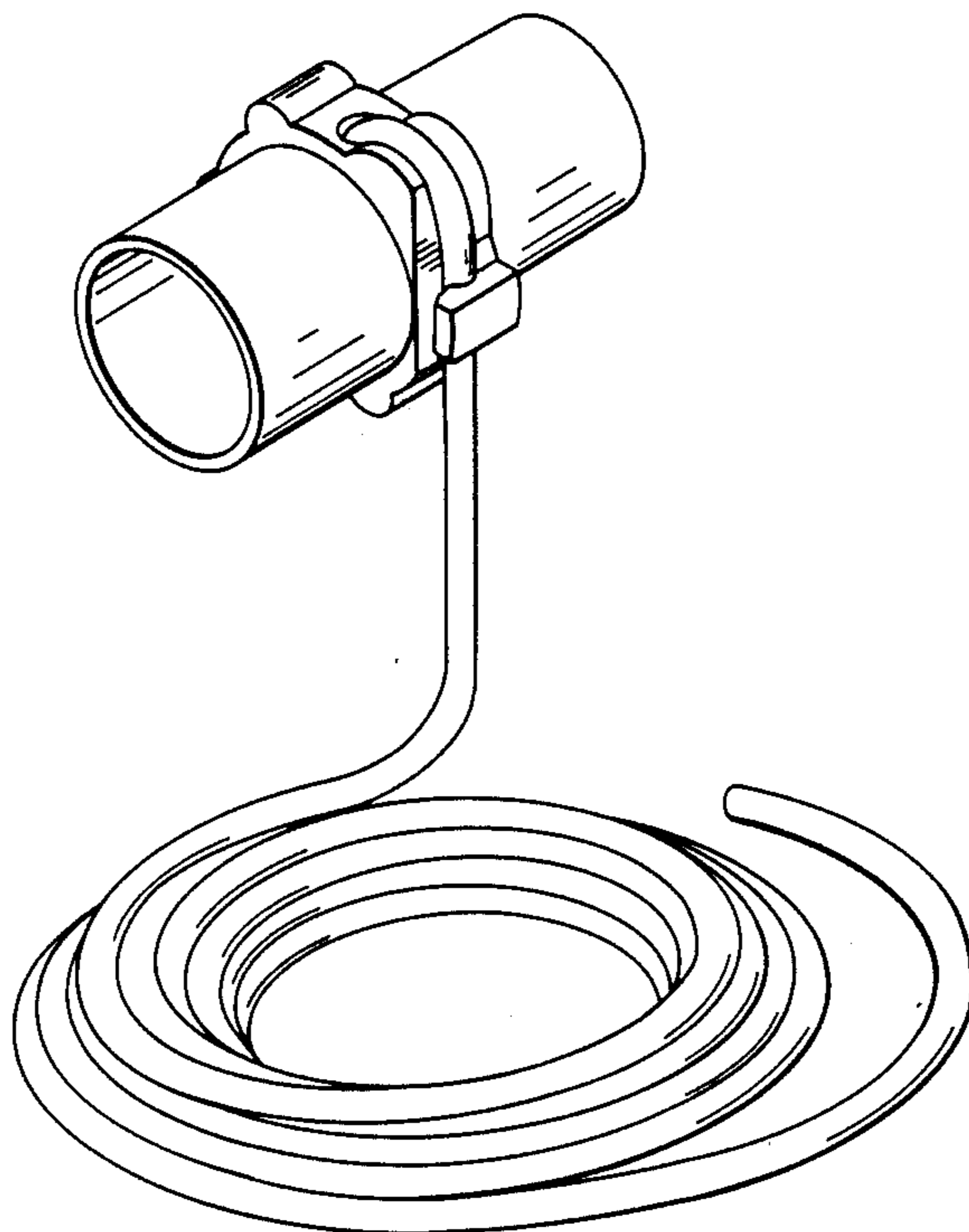
Primary Examiner—A. Hugo Word
Assistant Examiner—Stella M. Reid
Attorney, Agent, or Firm—Andrus, Scales, Starke & Sawall

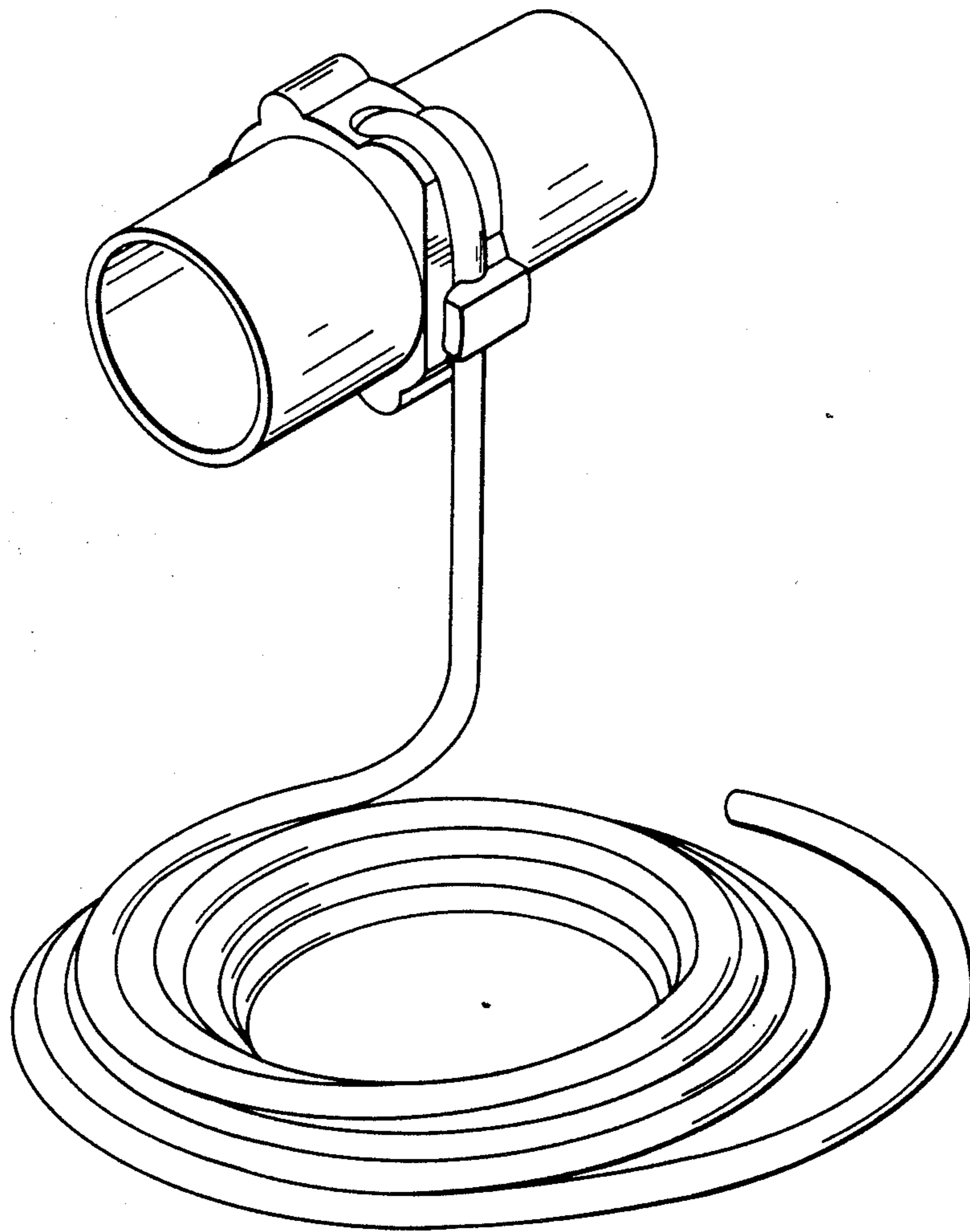
[57] CLAIM

The ornamental design for a sampling adapter for carbon dioxide monitoring in a respiratory system, as shown.

DESCRIPTION

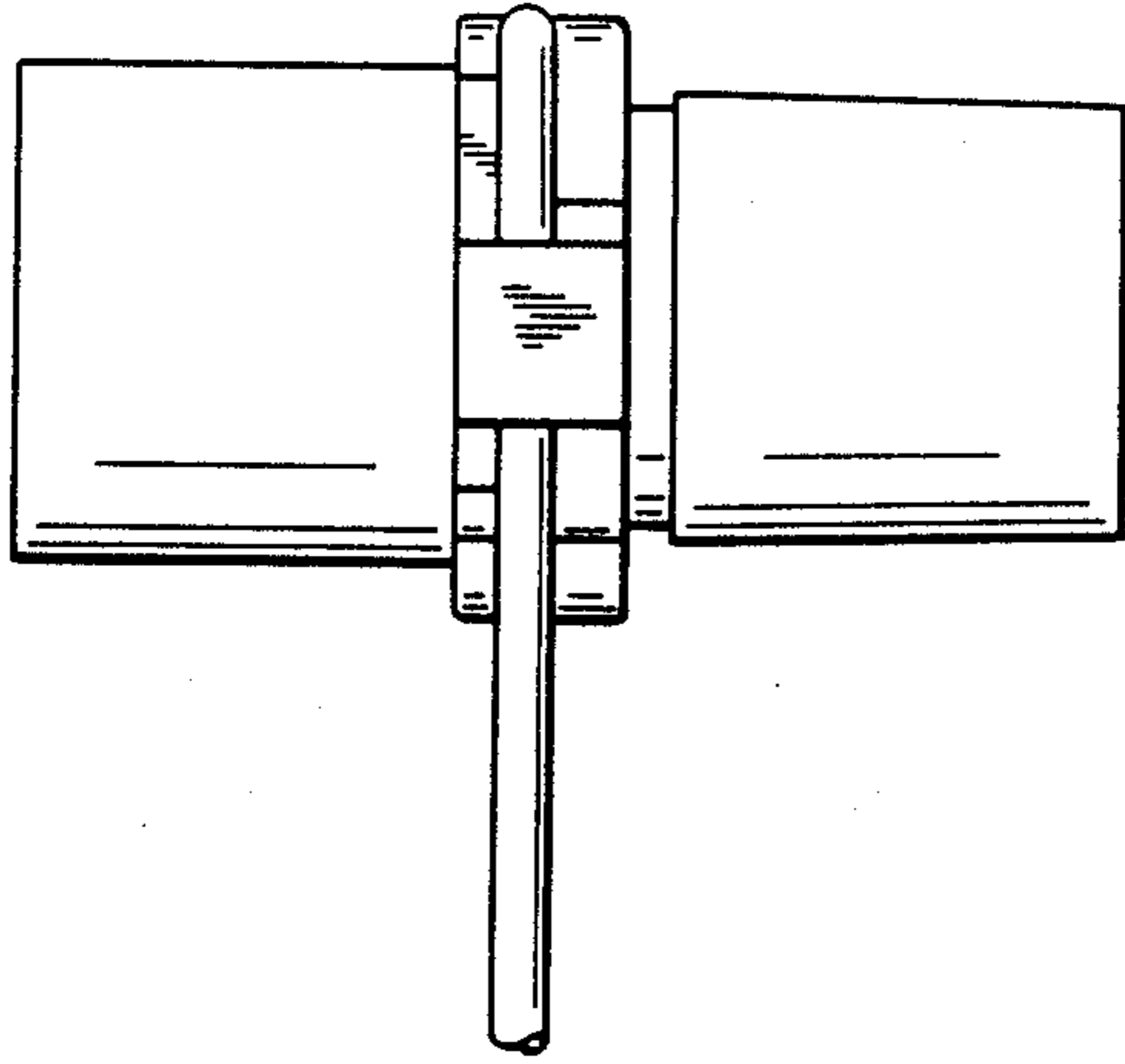
FIG. 1 is a perspective view of a sampling adapter for carbon dioxide monitoring in a respiratory system, showing our new design;
FIG. 2 is a side elevational view thereof;
FIG. 3 is a front elevational view thereof;
FIG. 4 is a top plan view thereof;
FIG. 5 is a side elevational view thereof, opposite that shown in FIG. 2;
FIG. 6 is a rear elevational view thereof; and
FIG. 7 is a bottom plan view thereof.
The tube portion is fragmentarily shown in FIGS. 2, 3, 5, 6 and 7 for ease of illustration.



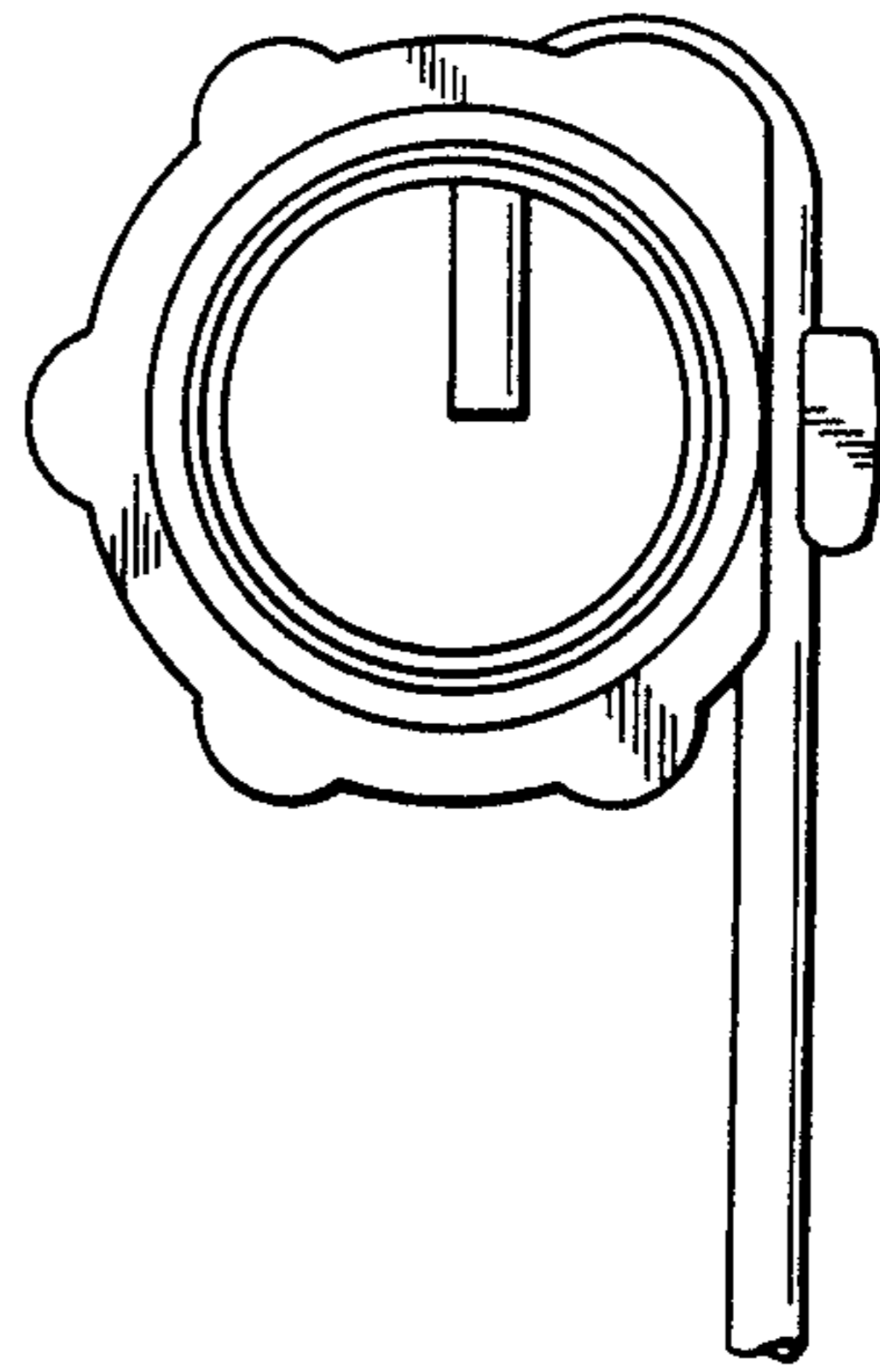


***Fig. 1***

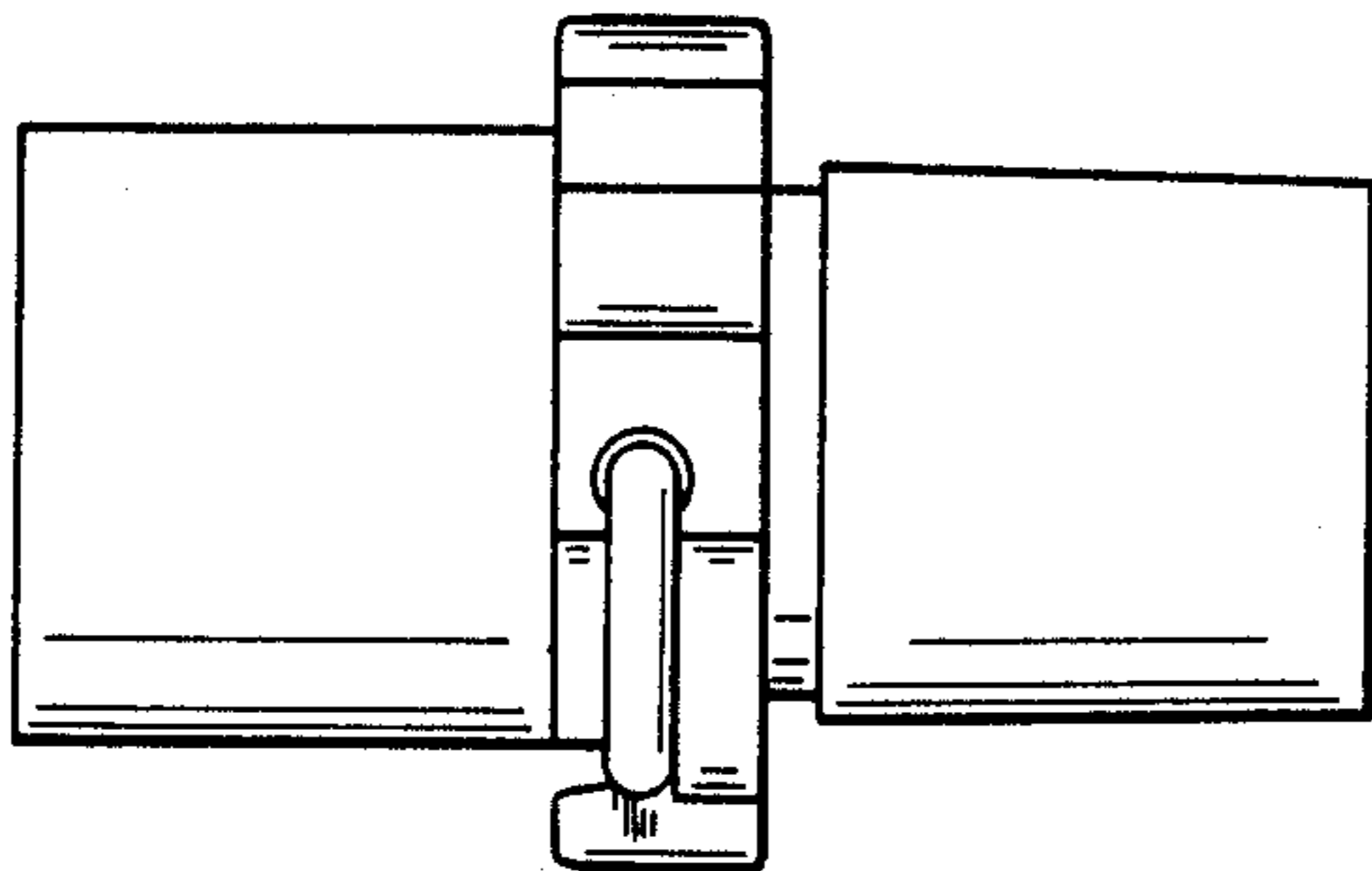
***Fig. 2***



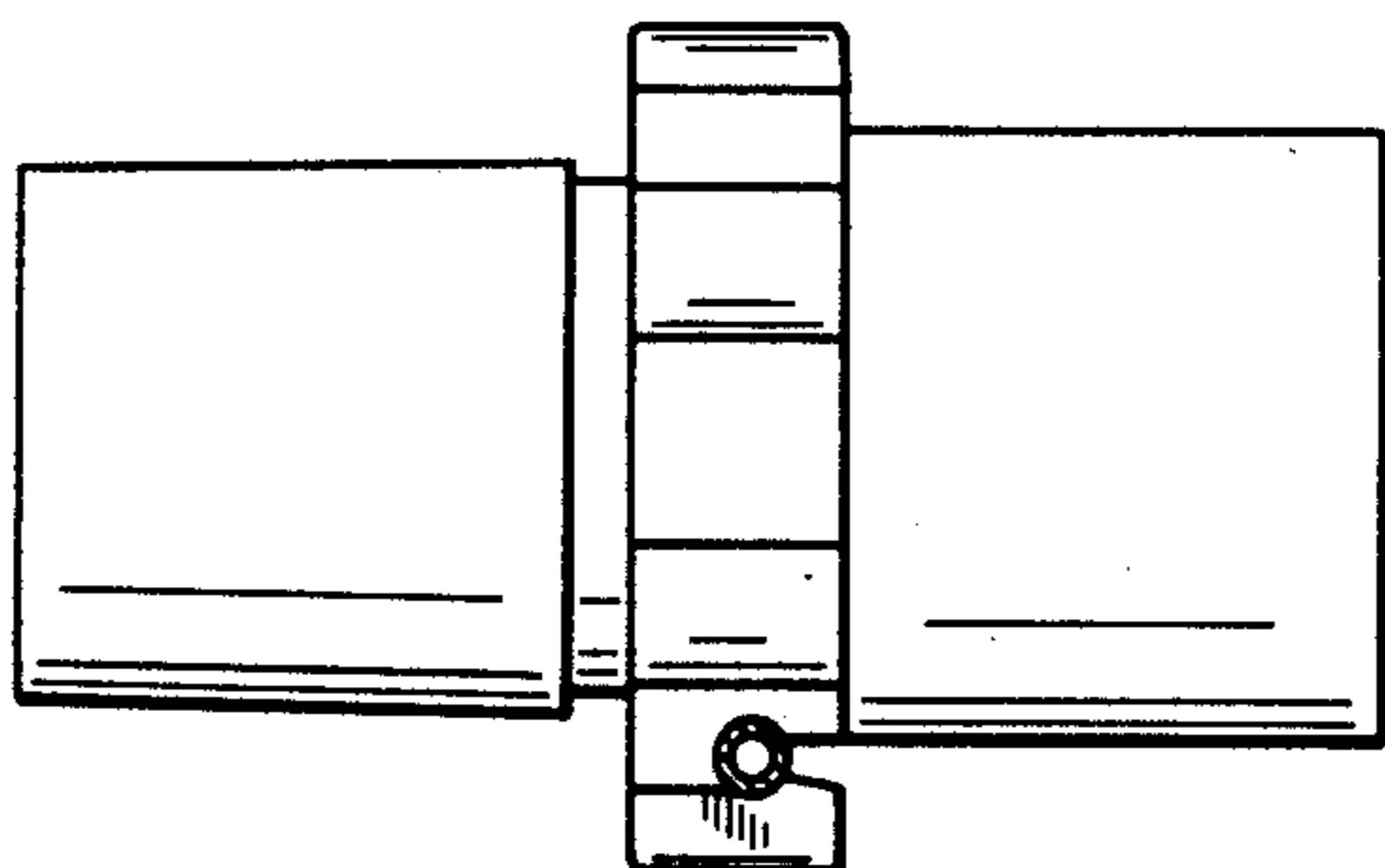
***Fig. 3***



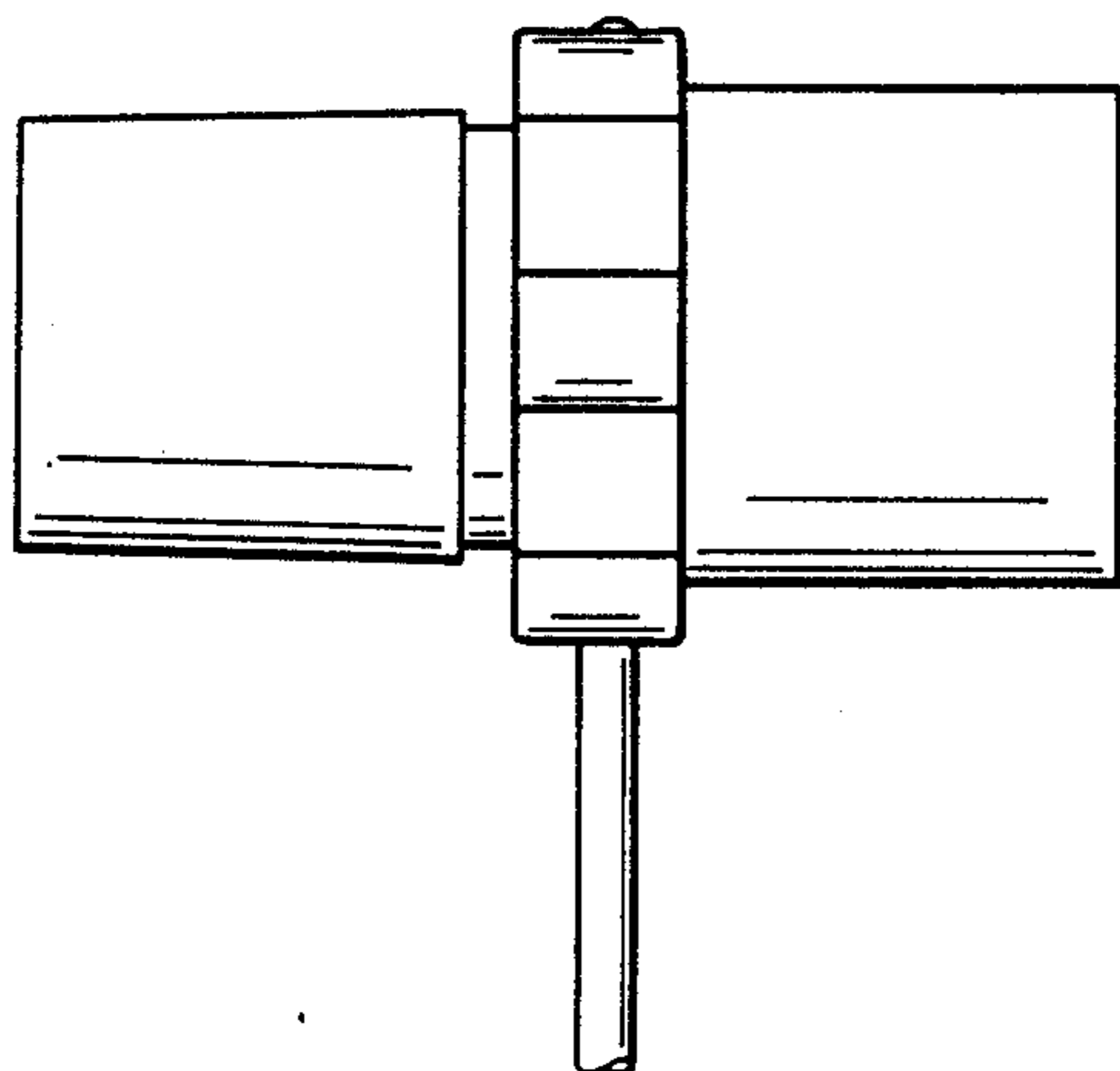
***Fig. 4***



***Fig. 7***



***Fig. 5***



***Fig. 6***

