

[54] DAMPER LEVER

[75] Inventor: Douglas S. Brown, Knoxville, Tenn.

[73] Assignee: American Metal Products Company, LaFollette, Tenn.

[\*\*] Term: 14 Years

[21] Appl. No.: 257,492

[22] Filed: Oct. 13, 1988

[52] U.S. Cl. .... D23/386; 74/96

[58] Field of Search ..... D23/392, 386; 16/121, 16/123; 98/110, 101, 41.3; 74/96

[56] References Cited

U.S. PATENT DOCUMENTS

672,765	4/1901	Hart	49/51
2,503,421	4/1950	Sherard	98/121.12
2,676,795	4/1954	DeRoo	49/101
2,837,019	6/1958	Godes	98/40.22
3,522,295	1/1971	Armstrong	562/512
3,683,786	8/1972	Hedrick	98/110
3,738,254	6/1973	Root	98/119
3,780,640	12/1973	Fruth	98/110
3,938,430	2/1976	Koppang	98/103
4,338,967	7/1982	McCabe	251/58

4,653,384 3/1987 Amano ..... 98/40.3

FOREIGN PATENT DOCUMENTS

154671 9/1985 European Pat. Off. .... 98/41.3

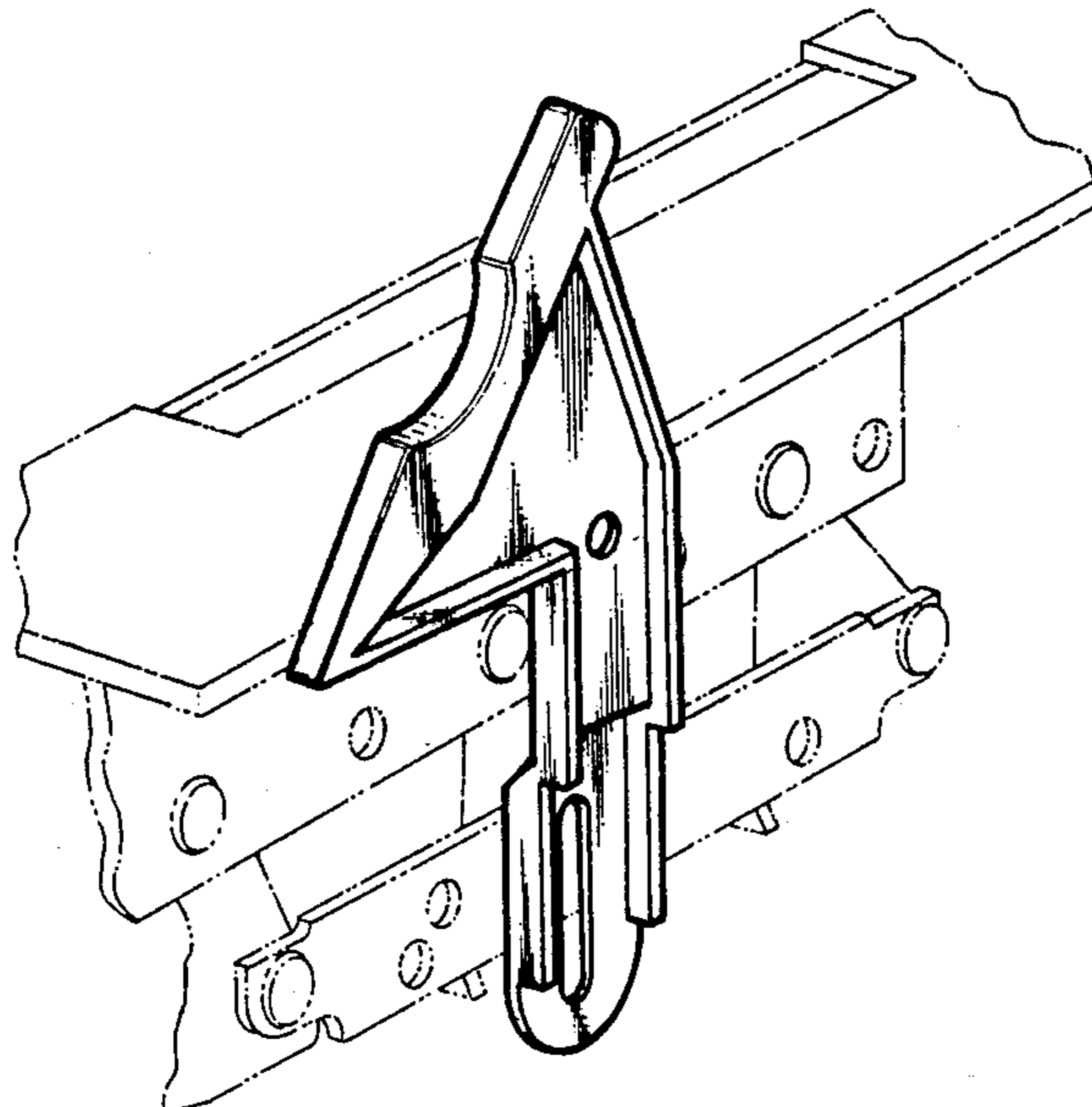
Primary Examiner—James M. Gandy  
Assistant Examiner—Lisa Lichtenstein  
Attorney, Agent, or Firm—Edgar A. Zarins; Malcolm L. Sutherland

[57] CLAIM

The ornamental design for a damper lever, as shown and described.

DESCRIPTION

FIG. 1 is a front perspective view of a damper lever showing my new design;  
FIG. 2 is a rear perspective view thereof;  
FIG. 3 is a front elevation view thereof;  
FIG. 4 is a rear elevation view thereof;  
FIG. 5 is an oblique elevation thereof, taken along line 5—5 in FIG. 3; and  
FIG. 6 is an end elevation view thereof, taken along line 6—6, in FIG. 3.  
The broken line showing of a damper assembly in FIG. 1 is for illustrative purposes only, and forms no part of the claimed design.



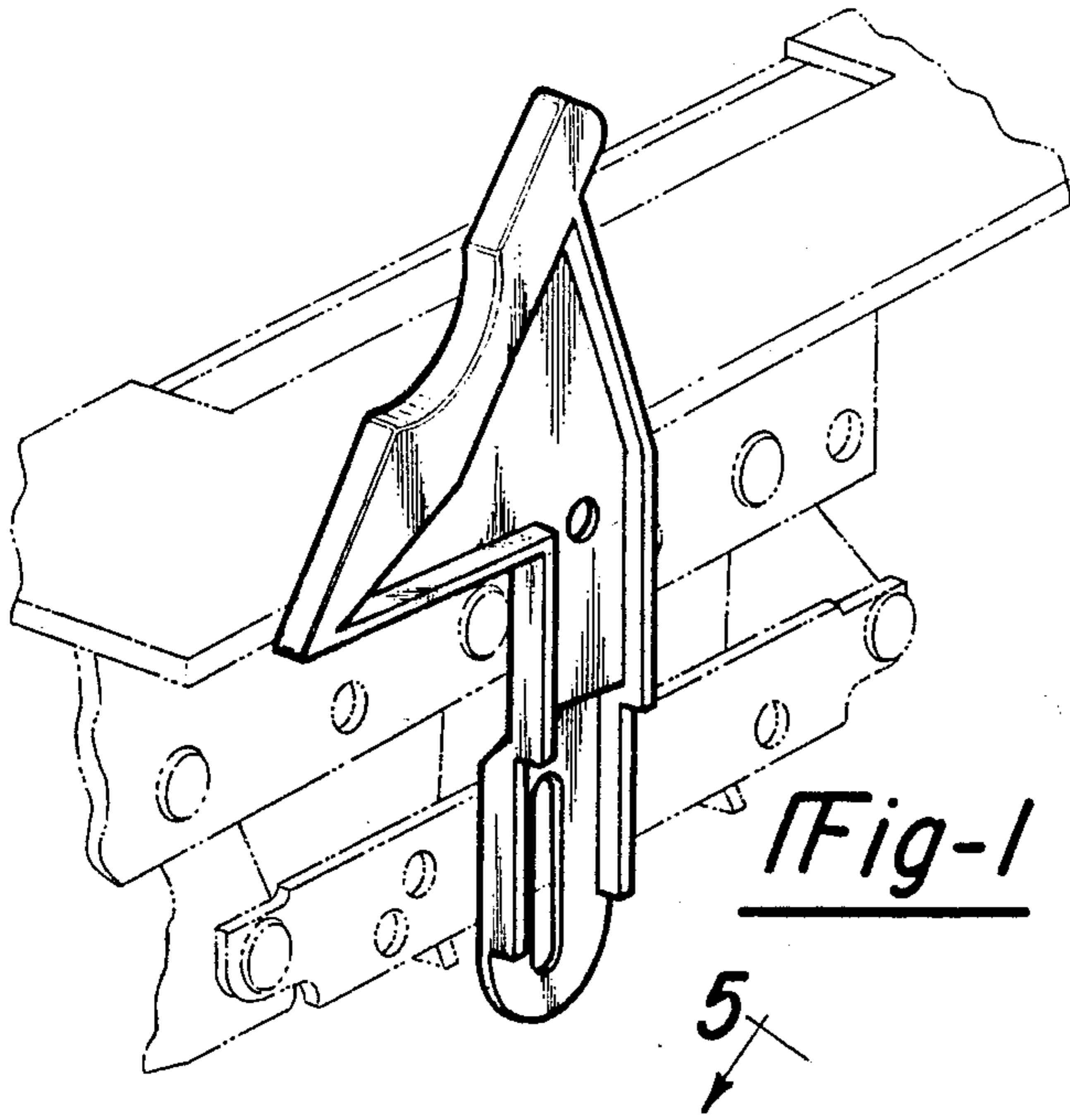


Fig-1

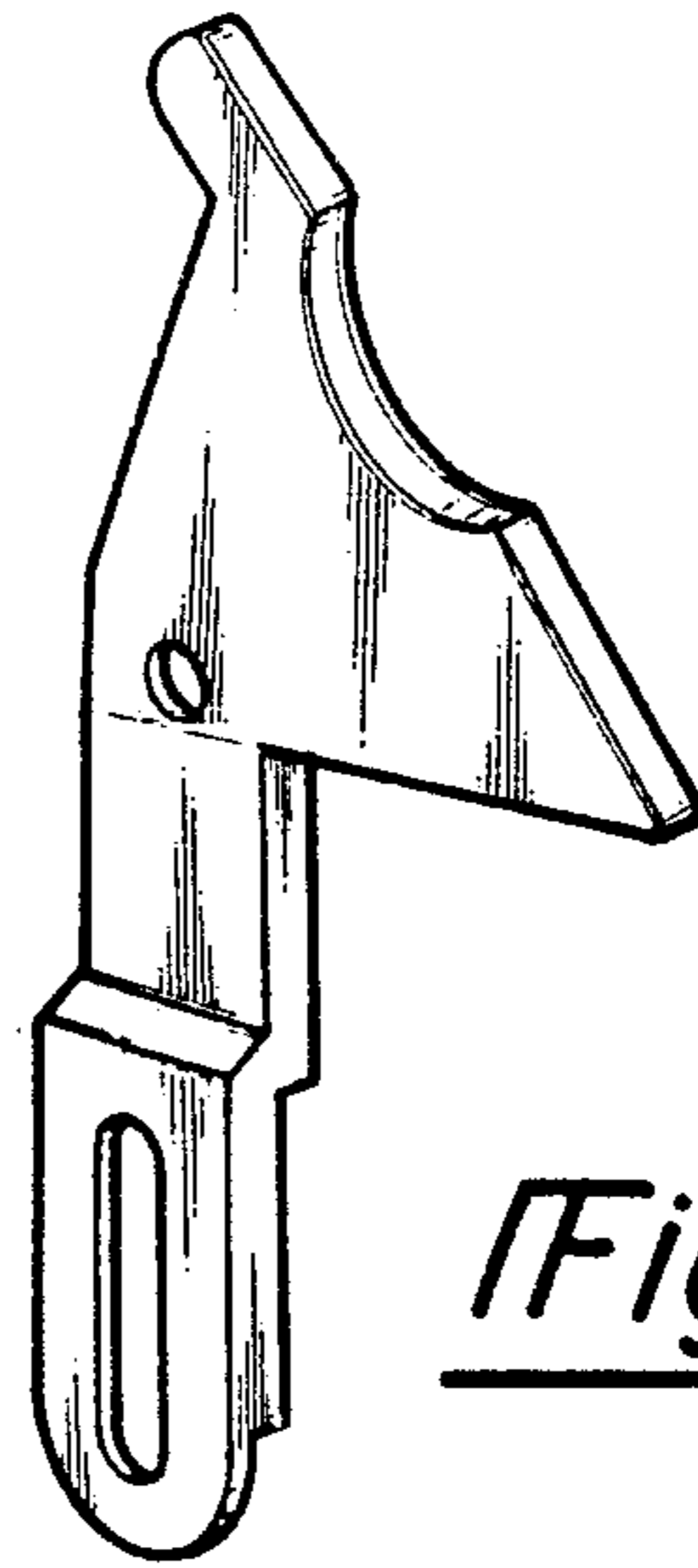


Fig-2

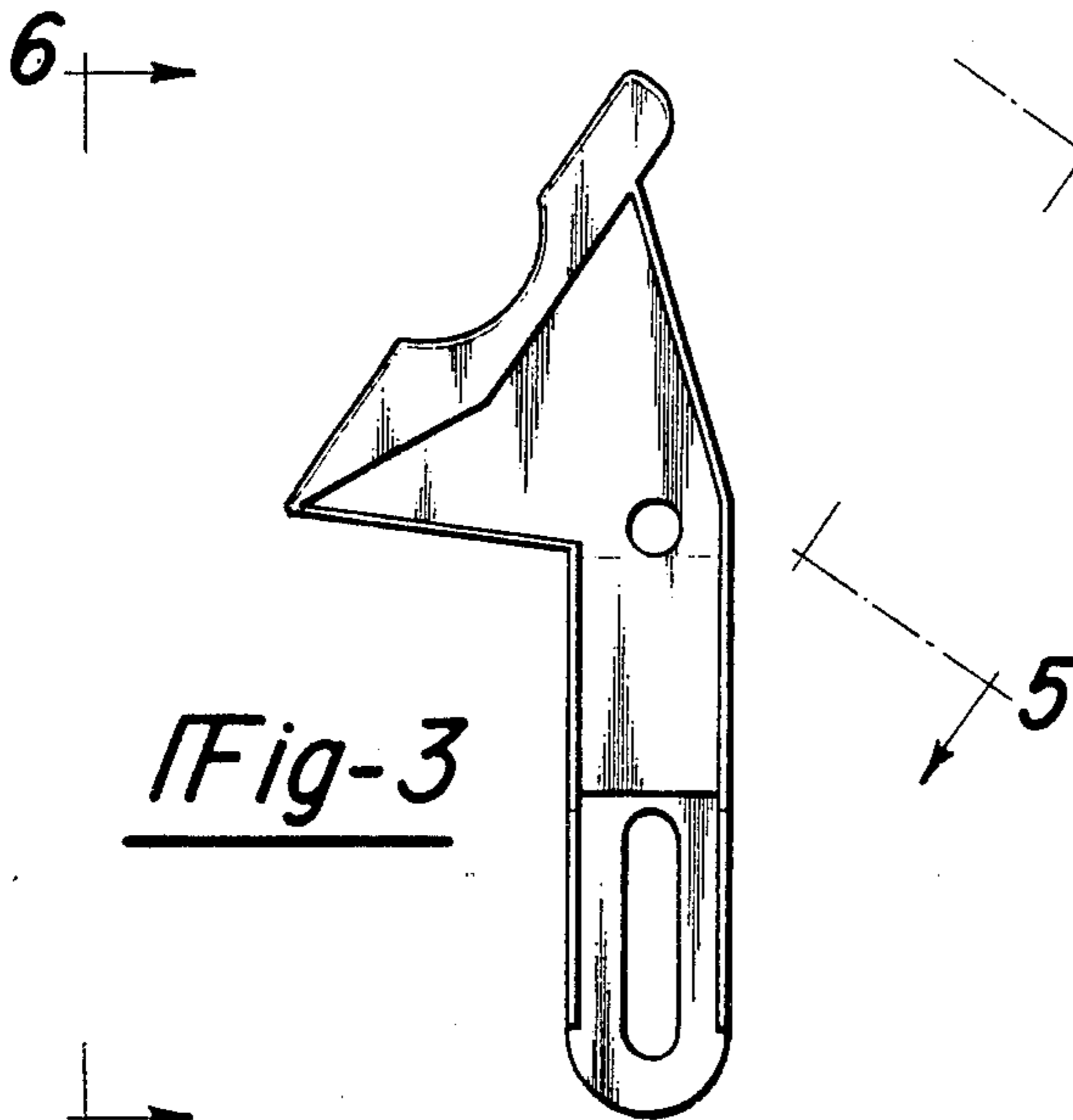


Fig-3

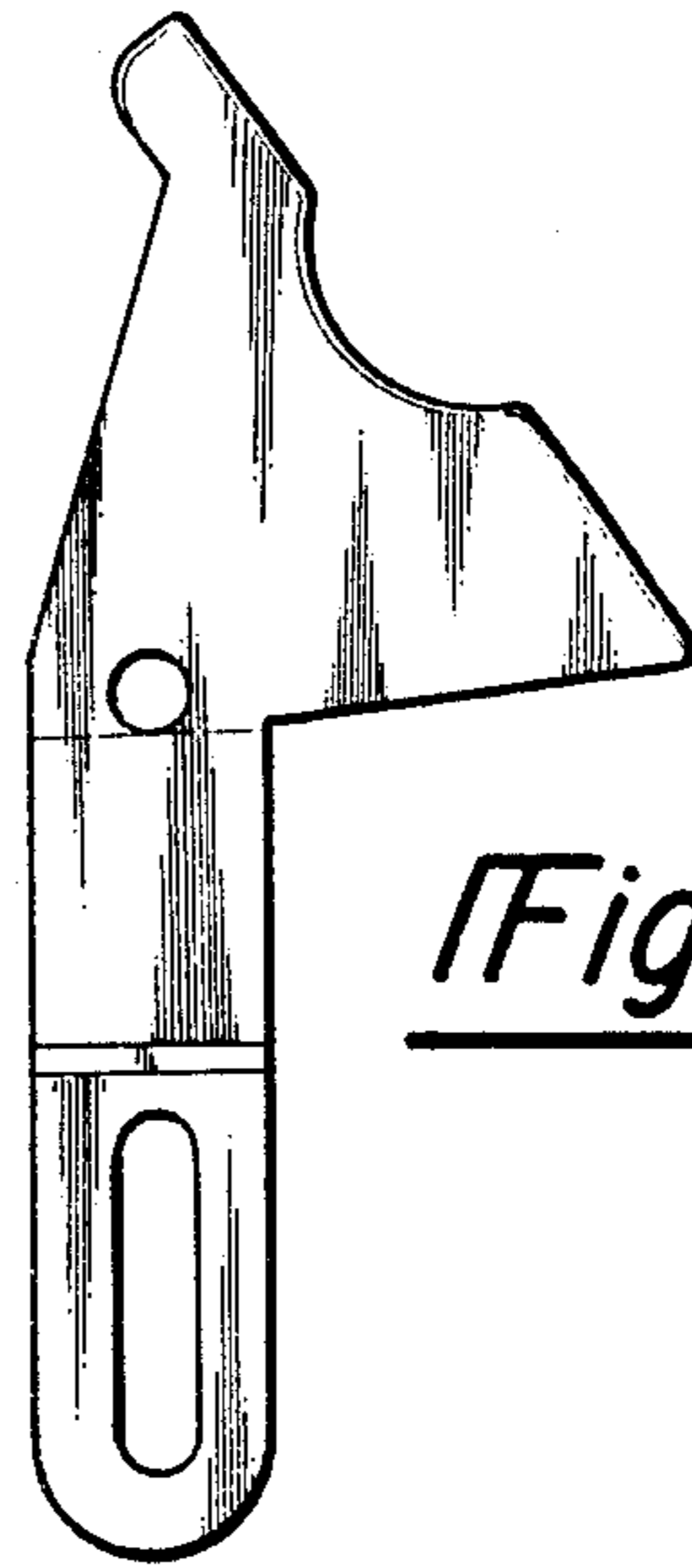


Fig-4



Fig-5



Fig-6