

[54] HEAT EXCHANGER

[76] Inventors: Herbert R. Ratch; Margo B. Ratch; David E. Lumbert, all of 18171 Alice La., Huntington Beach, Calif. 92648

[**] Term: 14 Years

[21] Appl. No.: 283,514

[22] Filed: Dec. 12, 1988

[52] U.S. Cl. D23/323

[58] Field of Search D23/323; 165/159, 145

[56] References Cited

U.S. PATENT DOCUMENTS

1,751,725	3/1930	Cross	165/159
2,184,657	12/1939	Young	165/145
4,815,533	3/1989	Harada et al.	165/159

Primary Examiner—James M. Gandy
Assistant Examiner—Lisa Lichtenstein
Attorney, Agent, or Firm—Francis X. LoJacono

[57] CLAIM

The ornamental design for a heat exchanger, as shown.

DESCRIPTION

FIG. 1 is a top-plan view of a heat-exchanger, showing our new design;

FIG. 2 is a front-elevational view thereof;

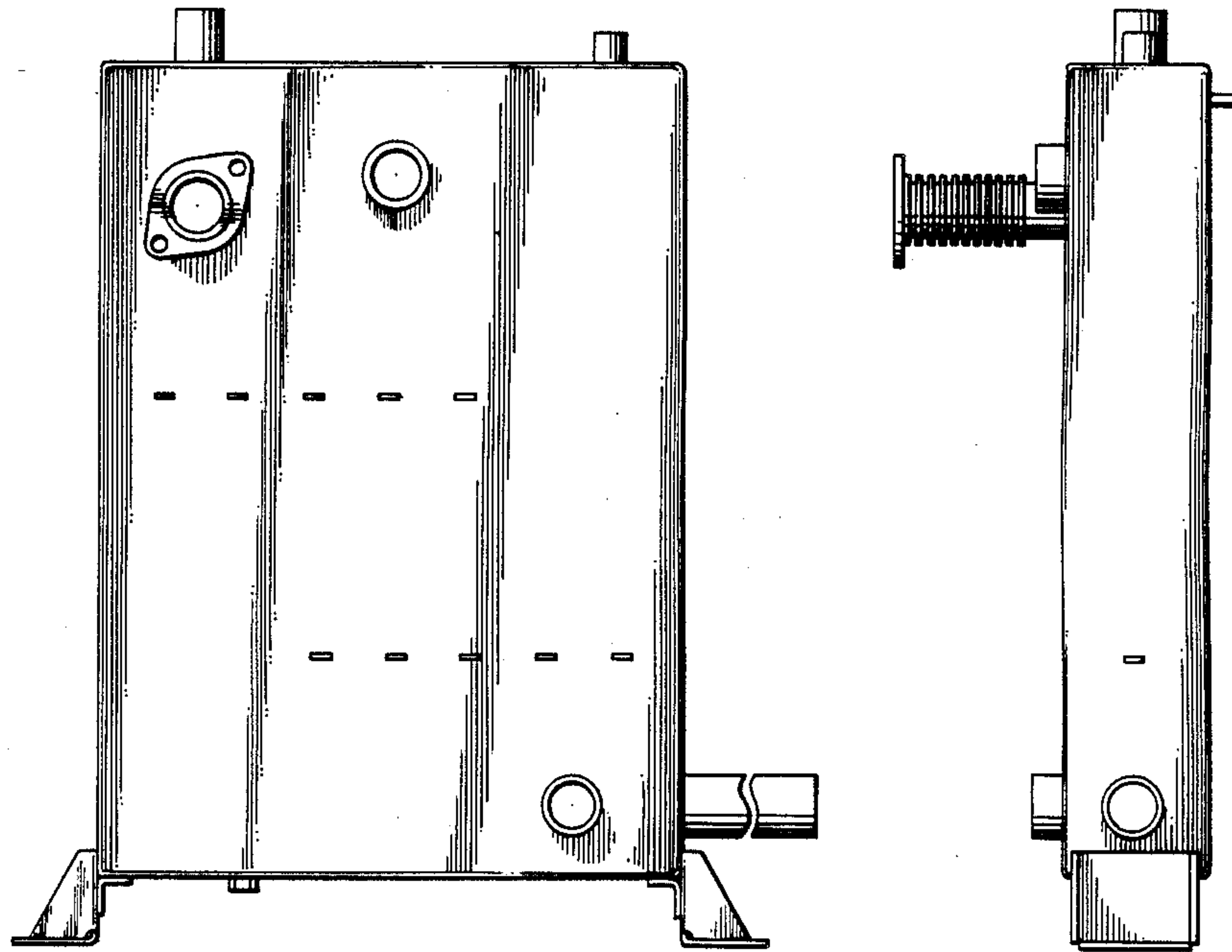
FIG. 3 is a right-side elevational view thereof;

FIG. 4 is a rear-elevational view thereof;

FIG. 5 is a left-side-elevational view thereof; and

FIG. 6 is a bottom-plan view thereof.

The exhaust tube has been broken away in the middle in FIGS. 1, 2, 4, and 6, for convenience of illustration and to indicate indeterminate length.



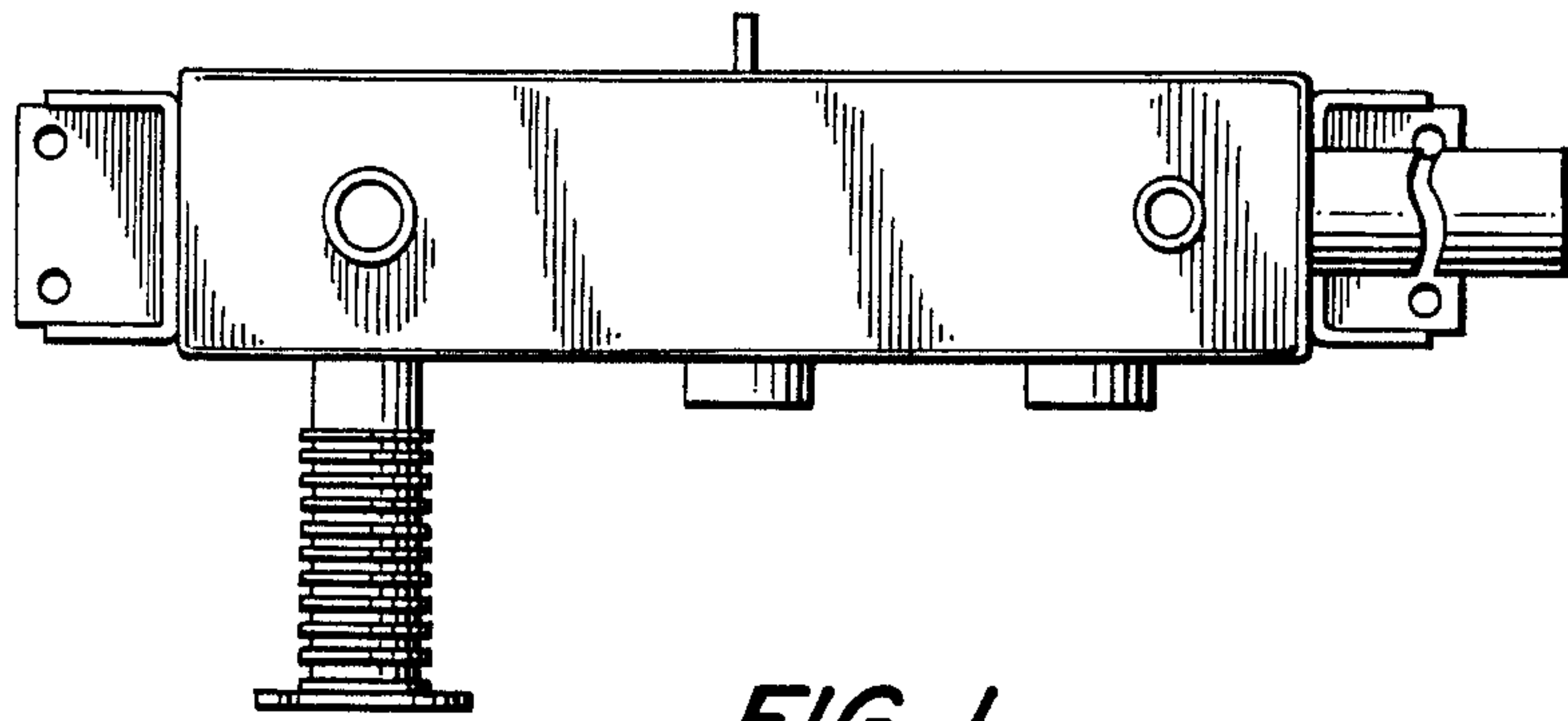


FIG. 1

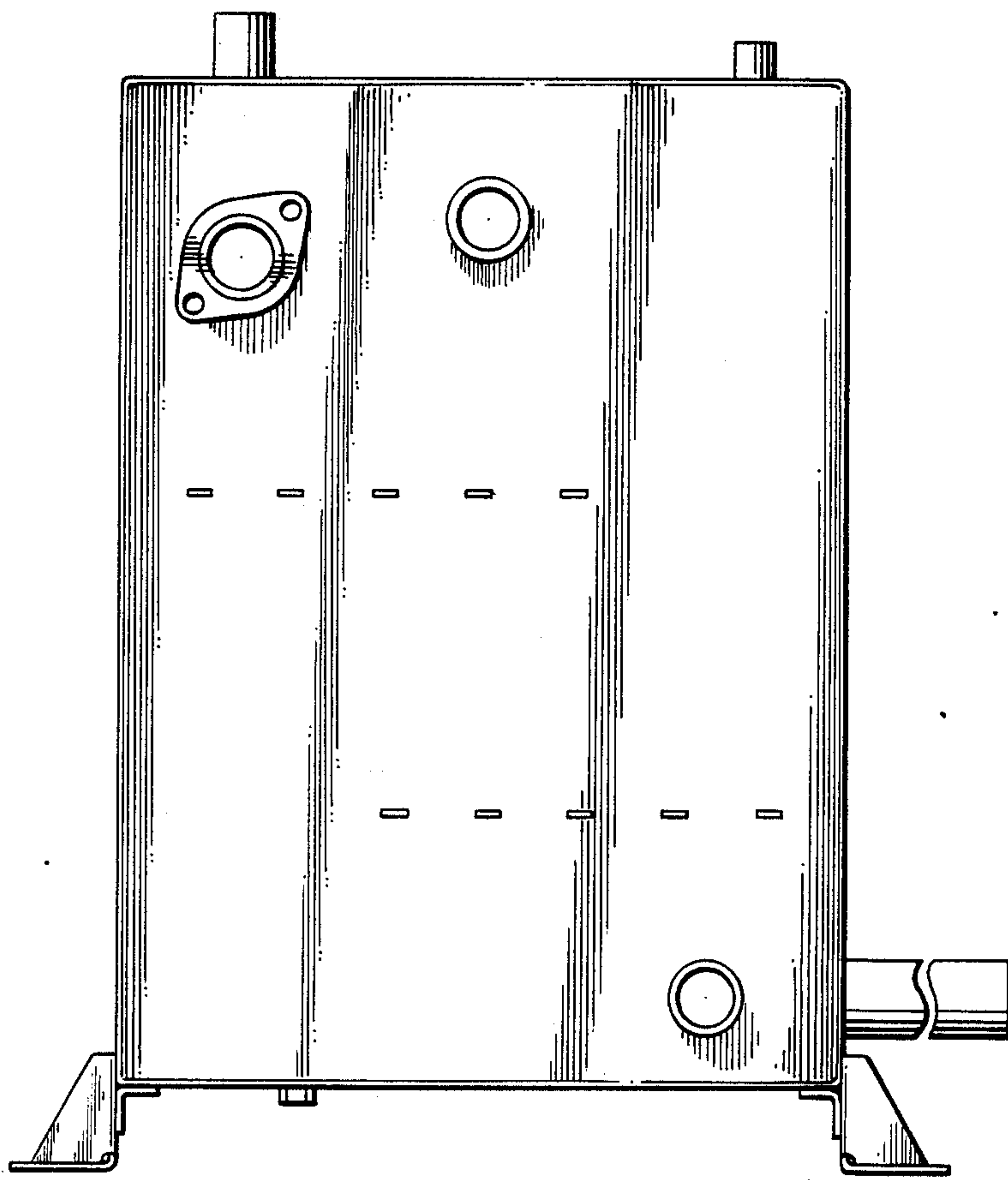


FIG. 2

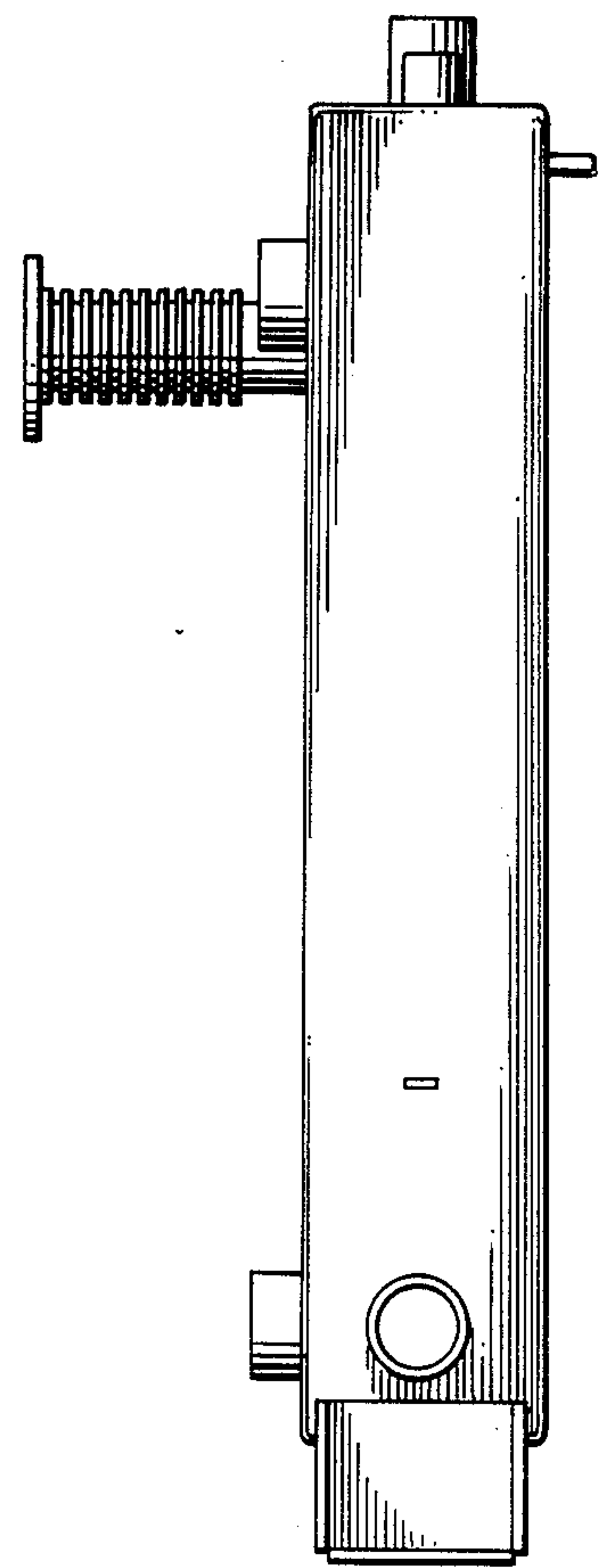


FIG. 3

FIG. 4

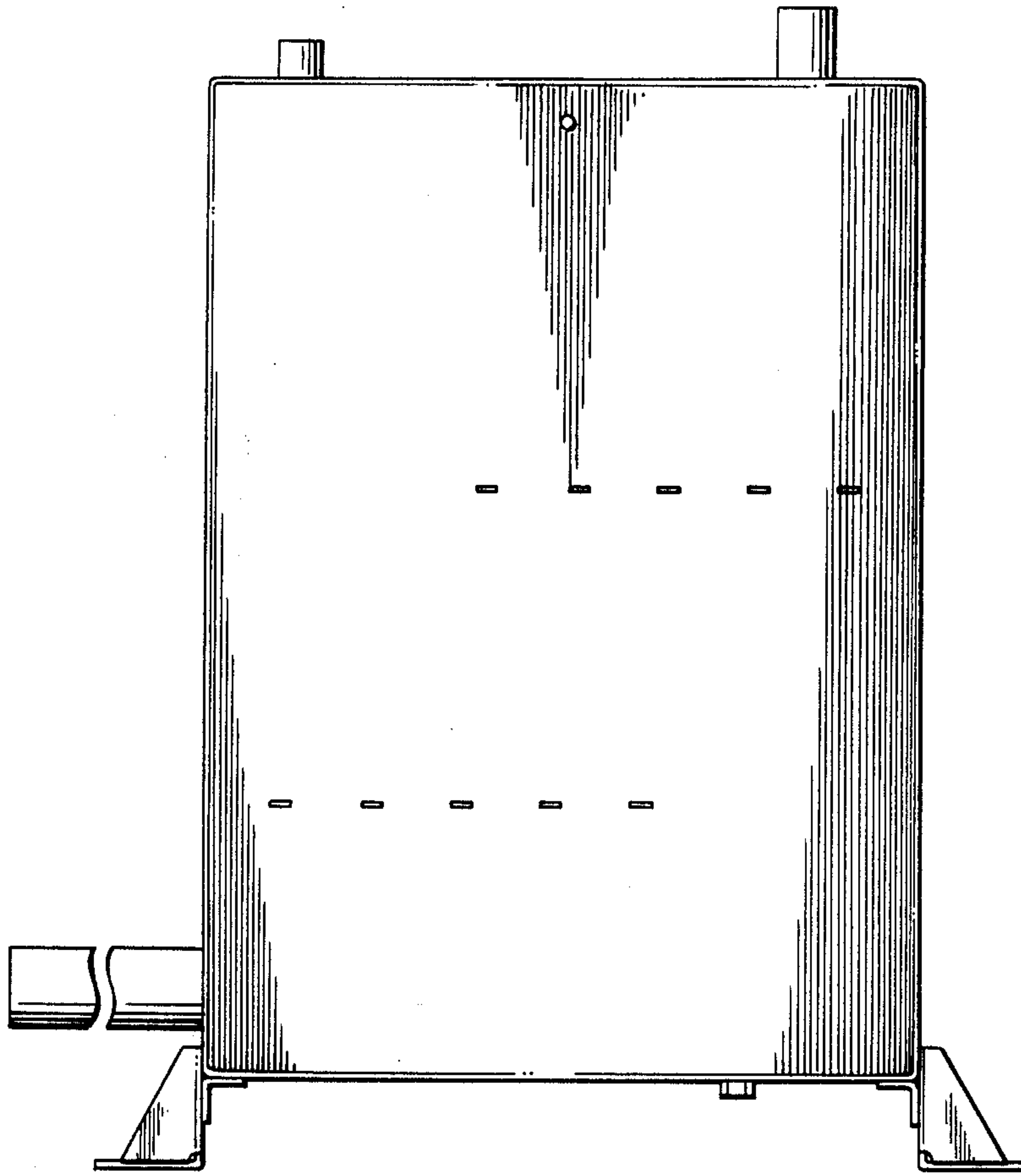


FIG. 5

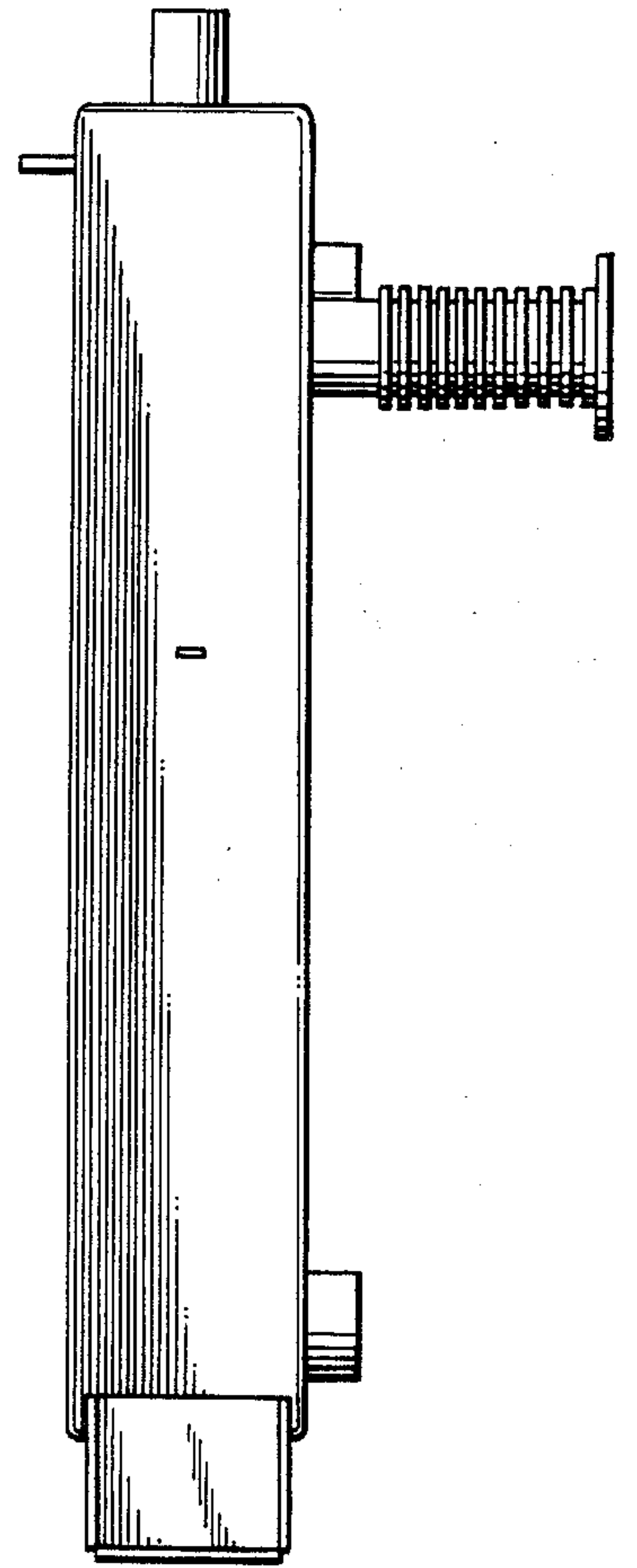


FIG. 6

