

[54] LOUVER GASKET

3,064,984 11/1962 Mickle et al. D23/269
4,178,717 12/1979 Sakauye 49/475

[76] Inventors: Coleman L. Koza, 321 Laclie St.,
Orillia, Ontario, Canada, L3V 4P2;
Lawrence J. Koza, 42 Cairns
Boulevard, Barrie, Ontario, Canada,
L4M 4S7

[**] Term: 14 Years

[21] Appl. No.: 180,859

[22] Filed: Apr. 12, 1988

[52] U.S. Cl. D23/269; D23/393;
D25/119

[58] Field of Search D23/393, 269; 52/663,
52/302, 303; 98/121.1; D25/119, 52, 138;
49/74, 475, 488

[56] References Cited

U.S. PATENT DOCUMENTS

D. 209,071 10/1967 Koch D25/119
D. 256,157 7/1980 Ward D23/393
D. 289,078 3/1987 Vassallo et al. D23/269

OTHER PUBLICATIONS

Loxit Mouldings Catalog, No. 3-48, p. 17, Aluminum
Cove, Al-501; lower right side of page.

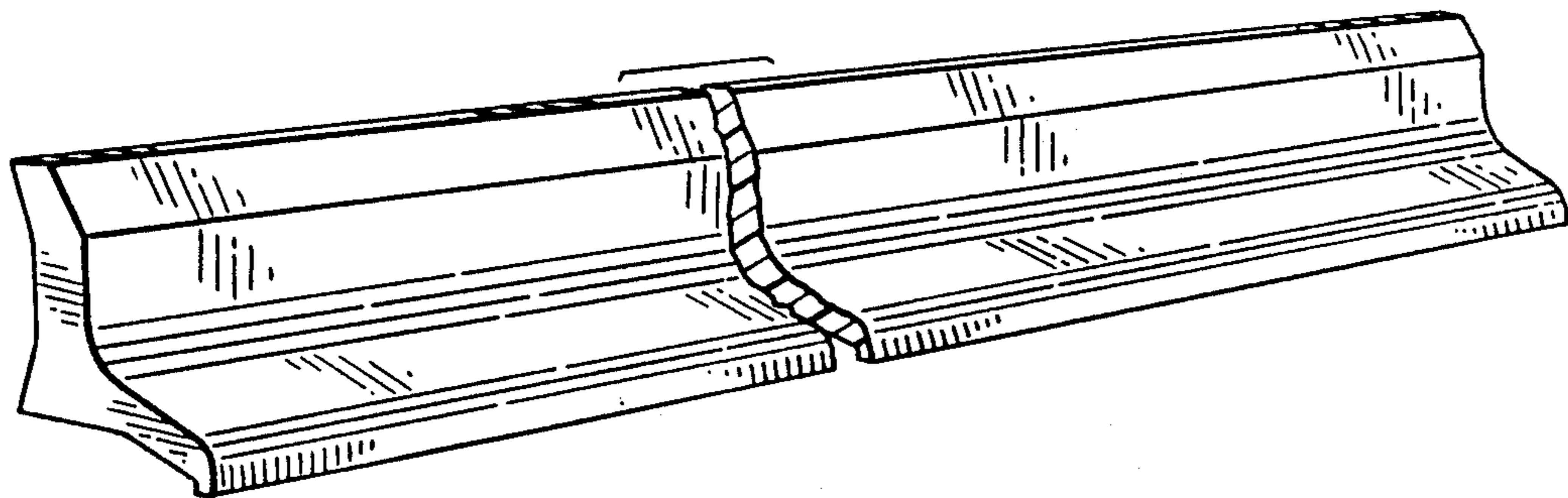
Primary Examiner—James M. Gandy
Assistant Examiner—Lisa Lichtenstein
Attorney, Agent, or Firm—Rogers, Bereskin & Parr

[57] CLAIM

The ornamental design for a louver gasket, as shown
and described.

DESCRIPTION

FIG. 1 is a top perspective view of a louver gasket
showing our new design;
FIG. 2 is a bottom perspective view thereof;
FIG. 3 is an end elevation view thereof, the opposite
end being a mirror image of that shown.
The louver gasket is broken away in the middle in
FIGS. 1 and 2 to show indeterminate length.



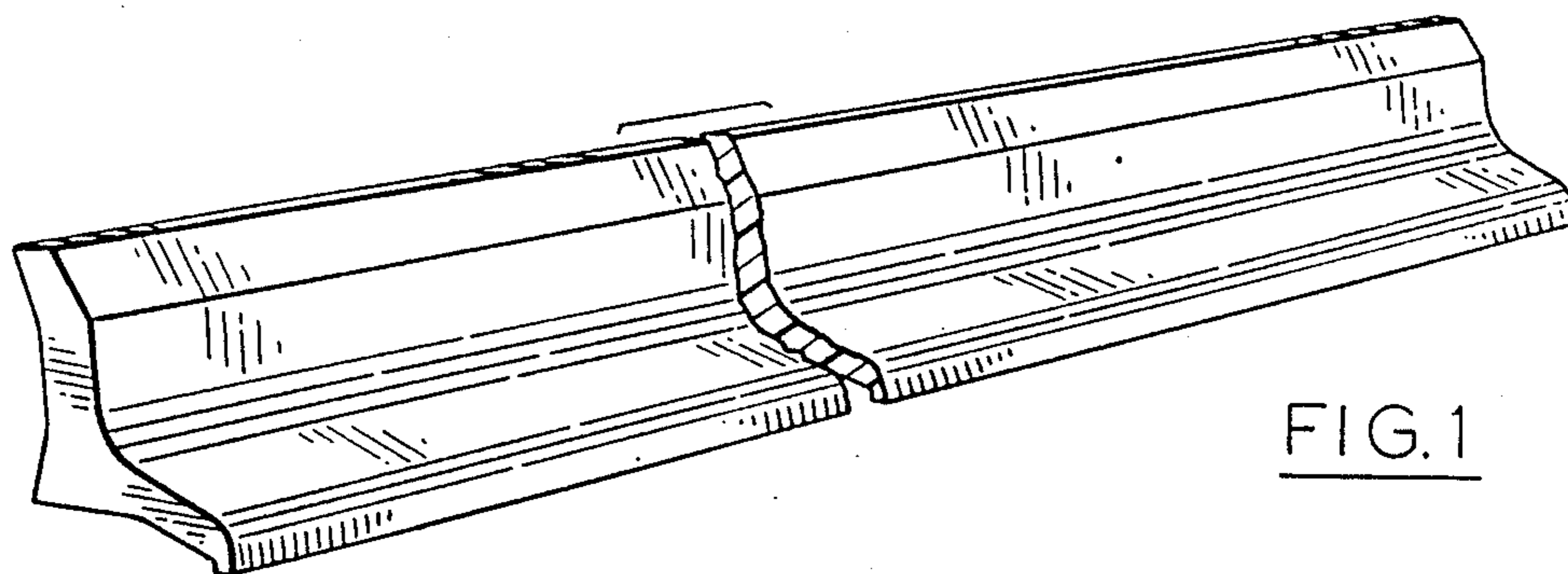


FIG. 1

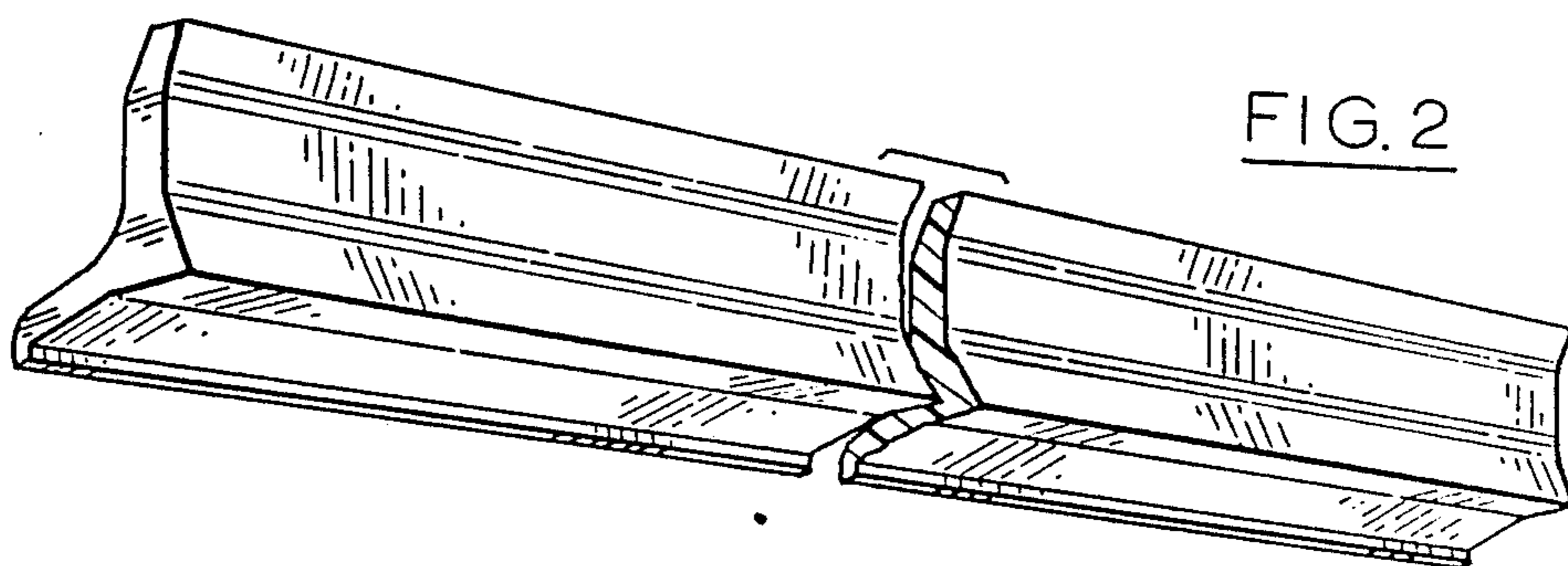


FIG. 2

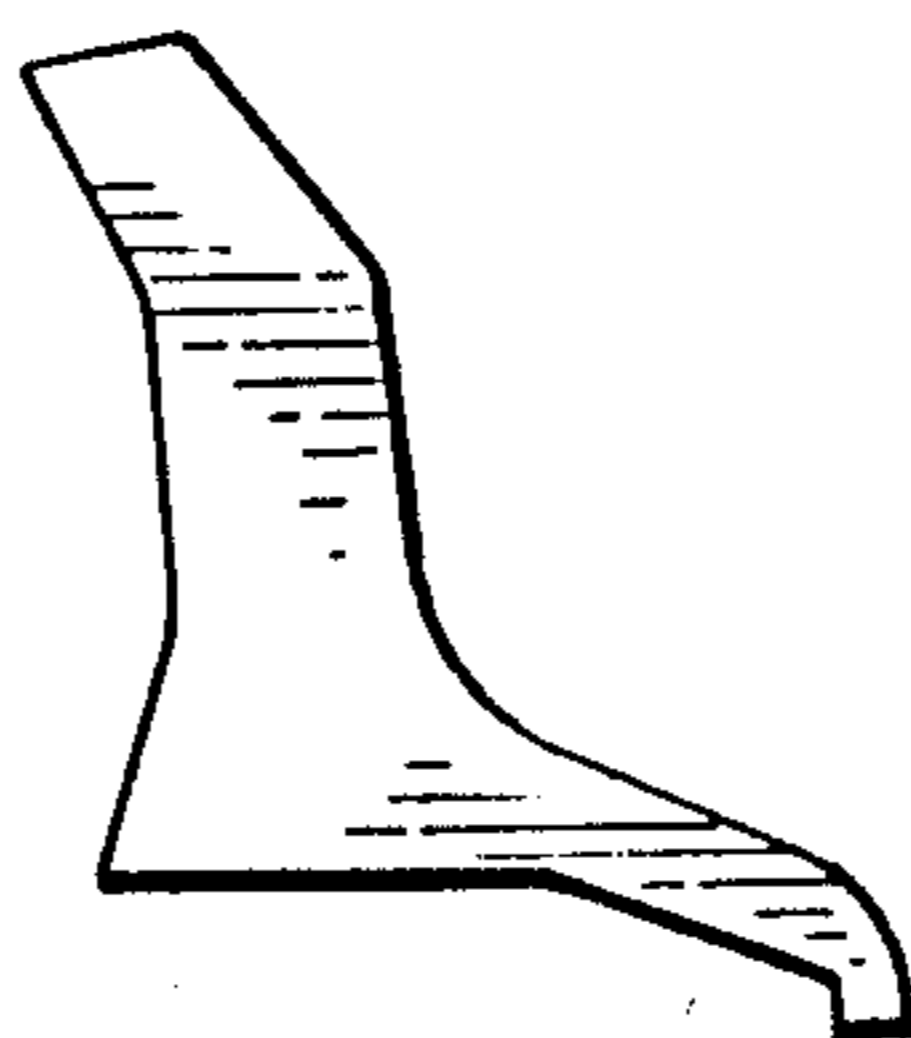


FIG. 3