

United States Patent [19]

Kameda et al.

[11] Patent Number: **Des. 309,340**

[45] Date of Patent: **** Jul. 17, 1990**

[54] **FISHING REEL**

[75] Inventors: **Yasuhisa Kameda; Toshiaki Yoshikawa**, both of Tokyo, Japan

[73] Assignee: **Daiwa Seiko, Inc.**, Tokyo, Japan

[**] Term: **14 Years**

[21] Appl. No.: **189,604**

[22] Filed: **May 2, 1988**

[30] **Foreign Application Priority Data**

Nov. 9, 1987 [JP] Japan 62-45708

[52] U.S. Cl. **D22/141**

[58] Field of Search D22/140, 141; 242/230, 242/231, 232

[56] **References Cited**

U.S. PATENT DOCUMENTS

- D. 253,840 1/1980 Hiraishi D22/141
- D. 281,346 11/1985 Iinuma et al. D22/141
- D. 283,721 5/1986 Iinuma et al. D22/141

- D. 291,109 7/1987 Mojo D22/141
- D. 300,054 2/1989 Hiraishi et al. D22/141

Primary Examiner—A. Hugo Word

Assistant Examiner—Doris V. Coles

Attorney, Agent, or Firm—Cushman, Darby & Cushman

[57] **CLAIM**

The ornamental design for a fishing reel, as shown and described.

DESCRIPTION

FIG. 1 is a top, rear and one side perspective view of a fishing reel showing our new design;

FIG. 2 is a top front and the opposite side perspective view thereof;

FIG. 3 is a side elevational view of one side thereof;

FIG. 4 is a side elevational view of the opposite side thereof;

FIG. 5 is a top plan view thereof;

FIG. 6 is a bottom view thereof;

FIG. 7 is a front elevational view thereof; and

FIG. 8 is a rear elevational view thereof.

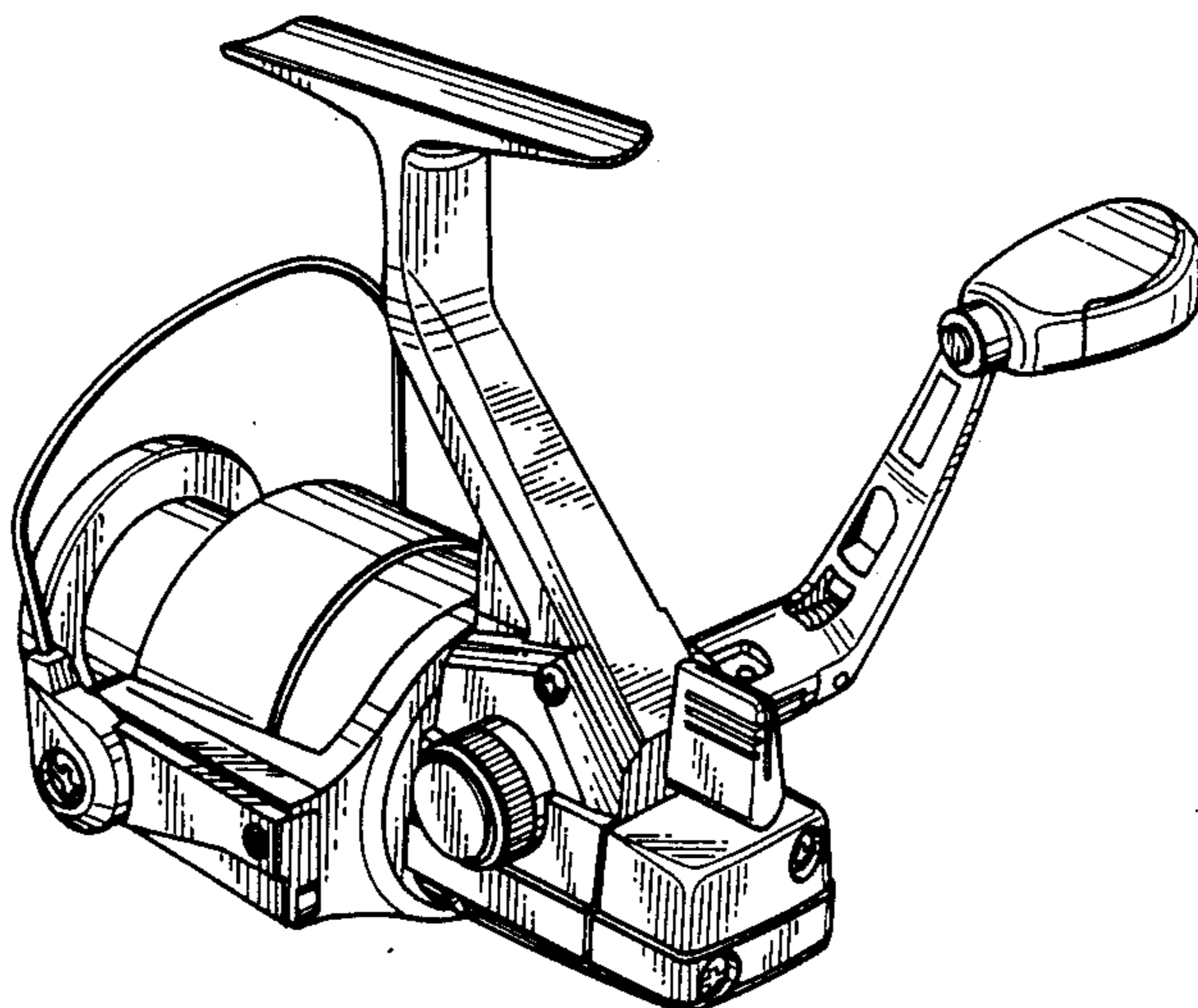


Fig. 1

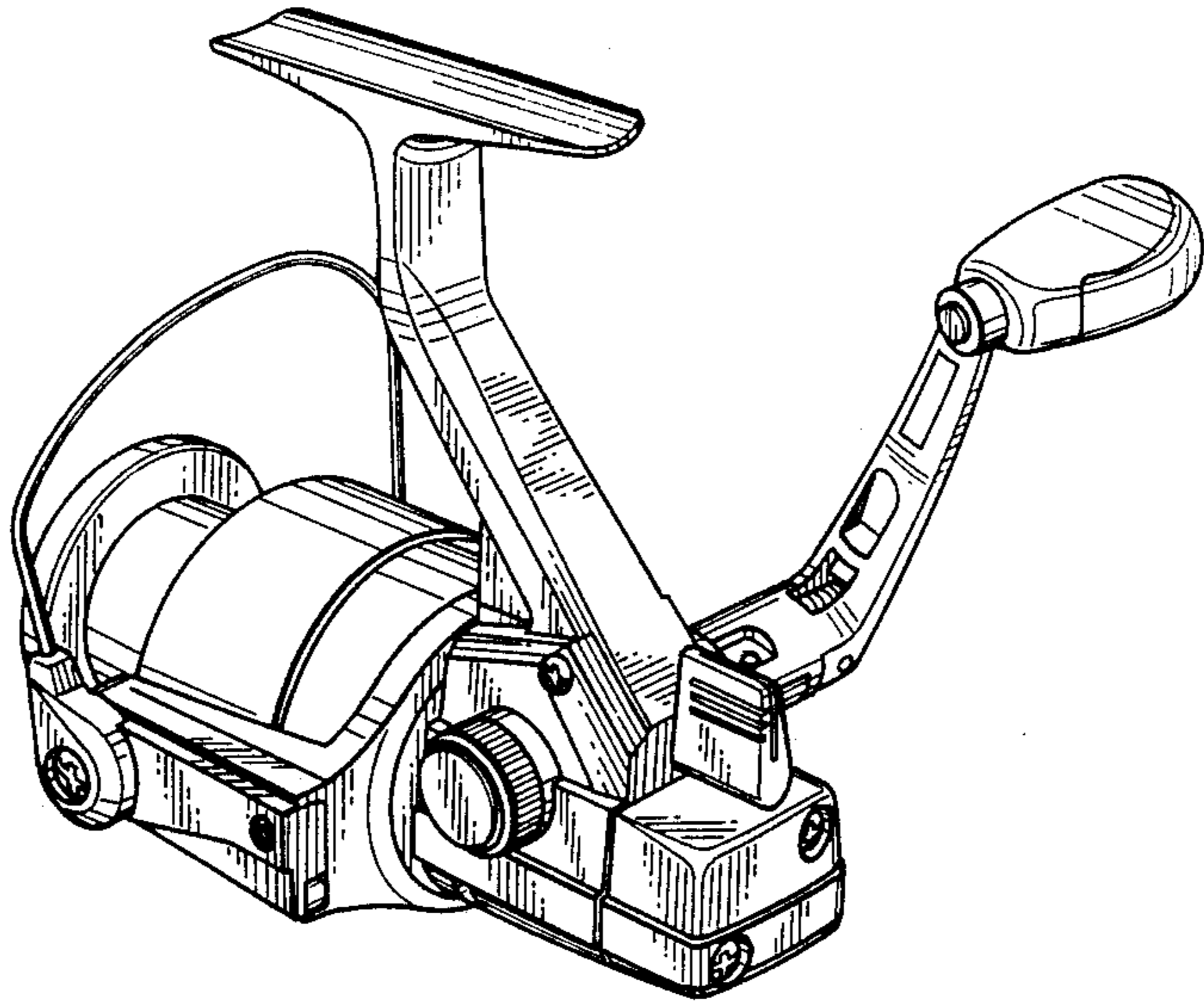


Fig. 2

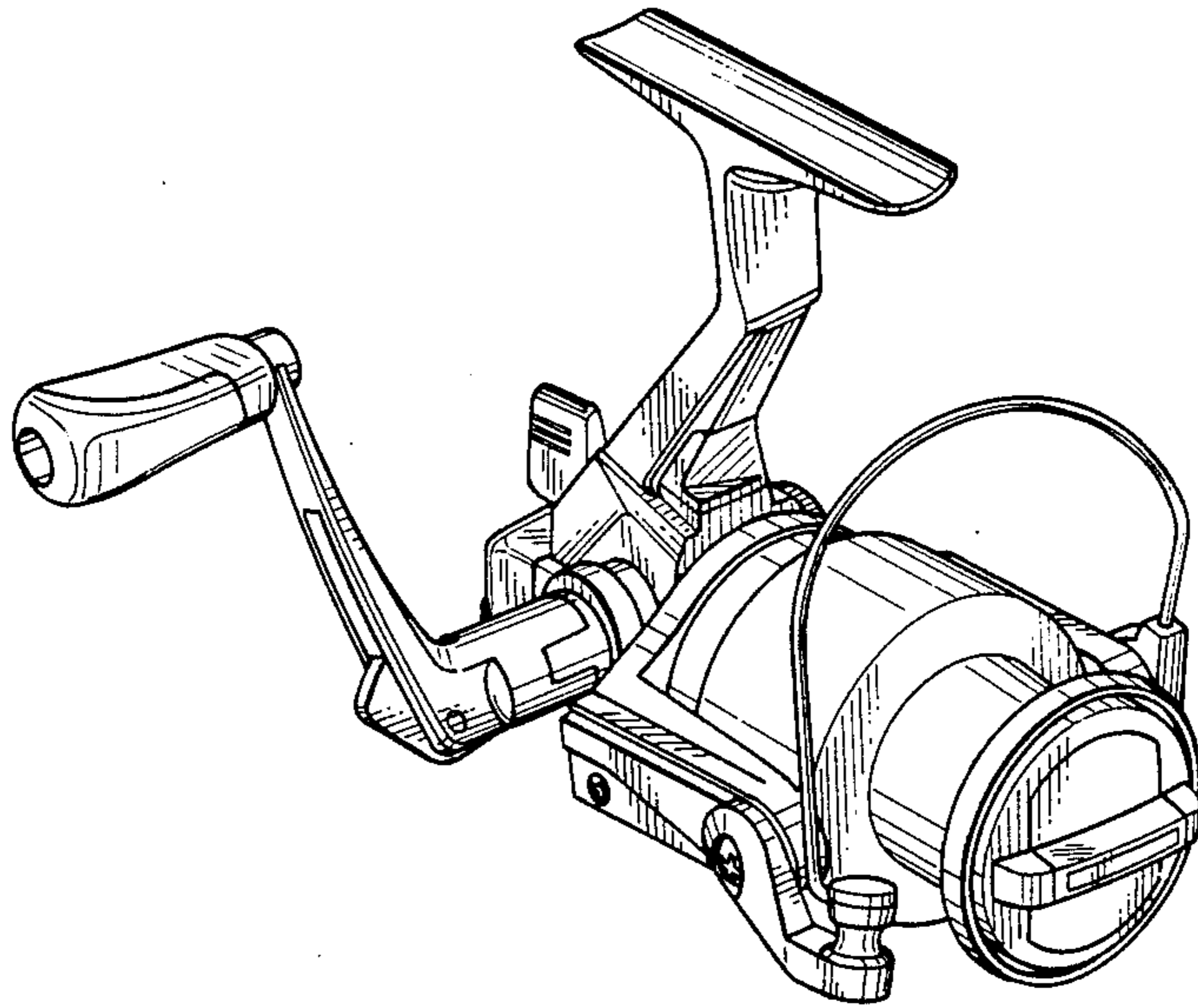


Fig. 3

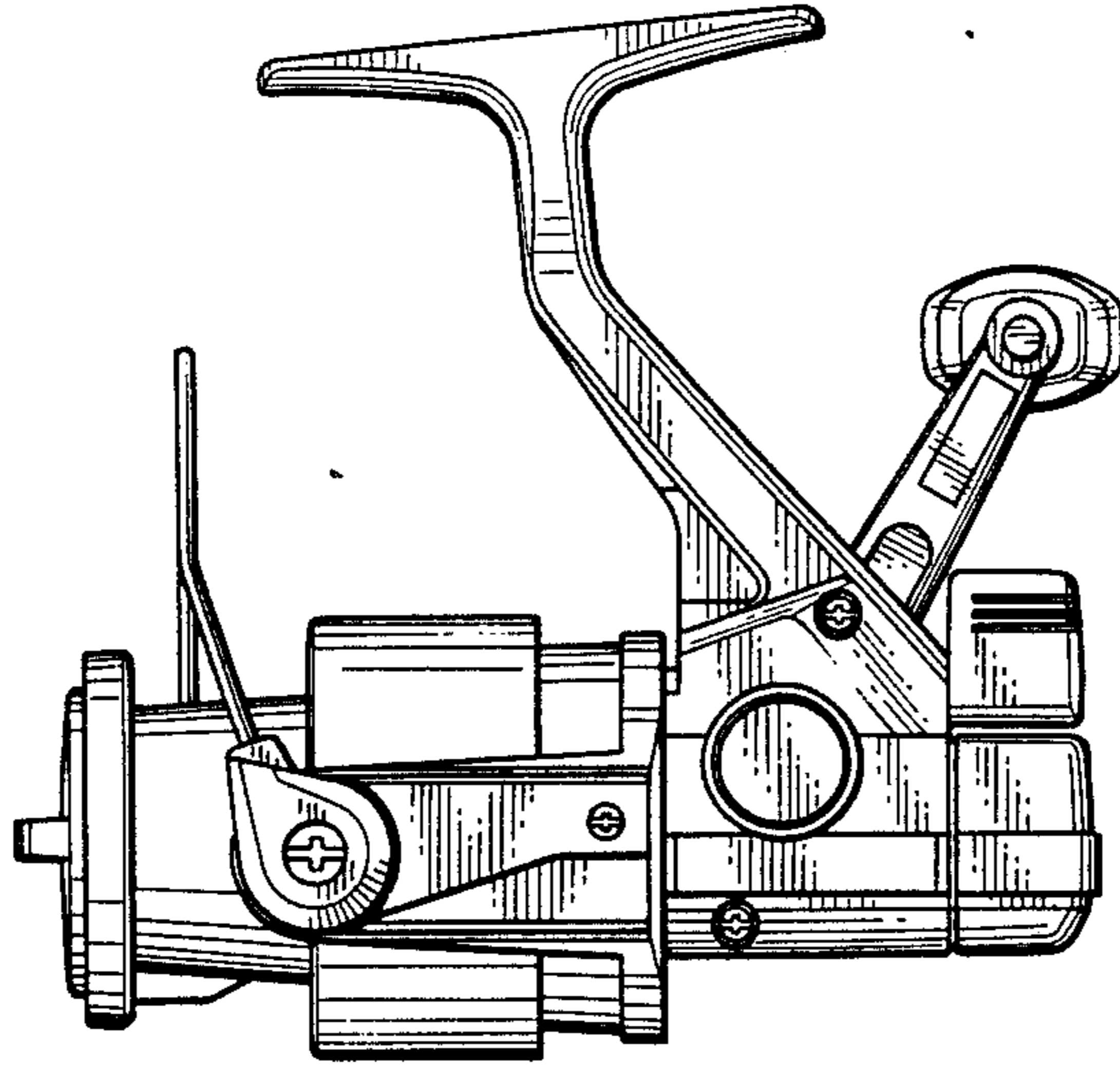


Fig. 4

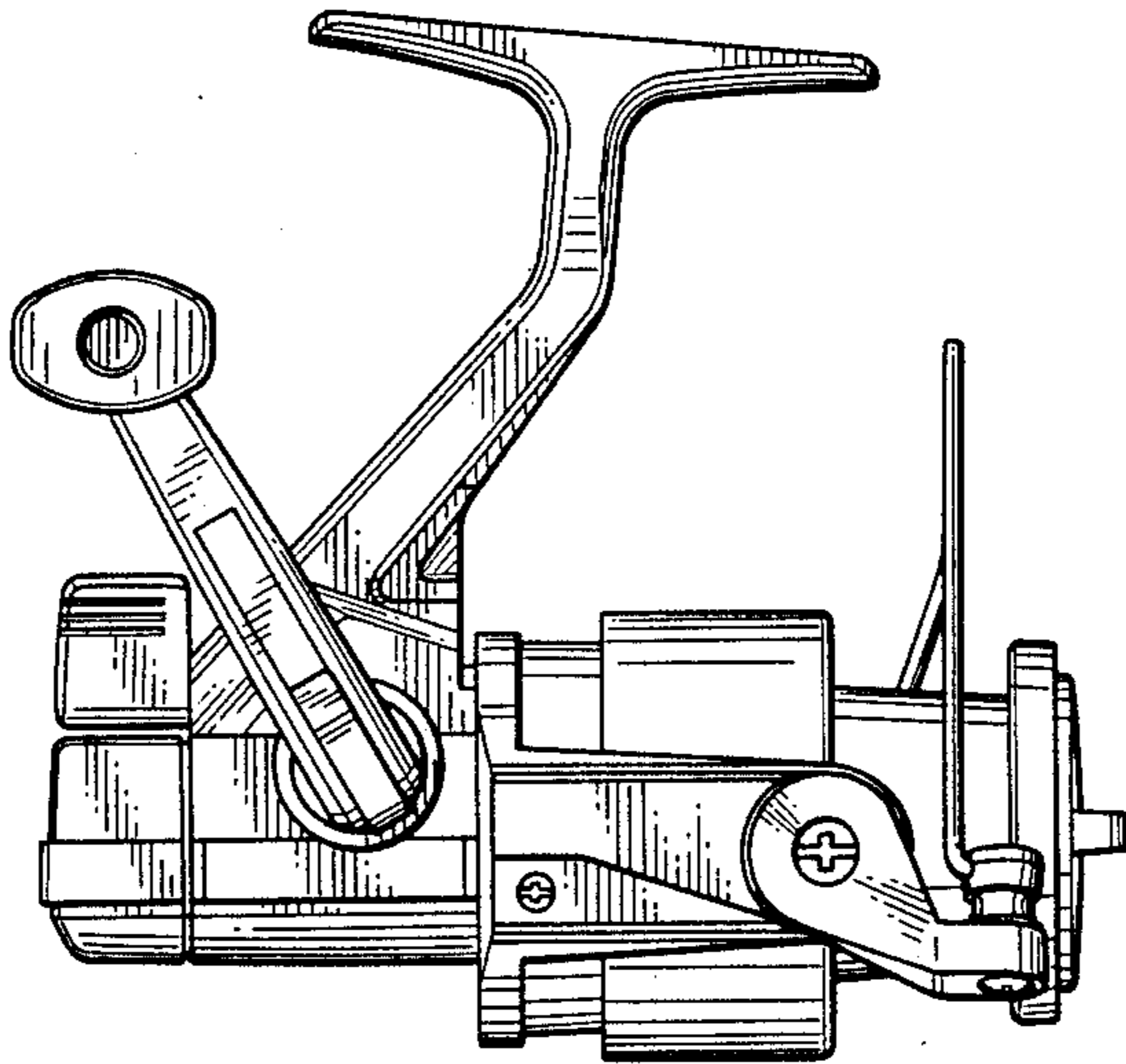


Fig. 5

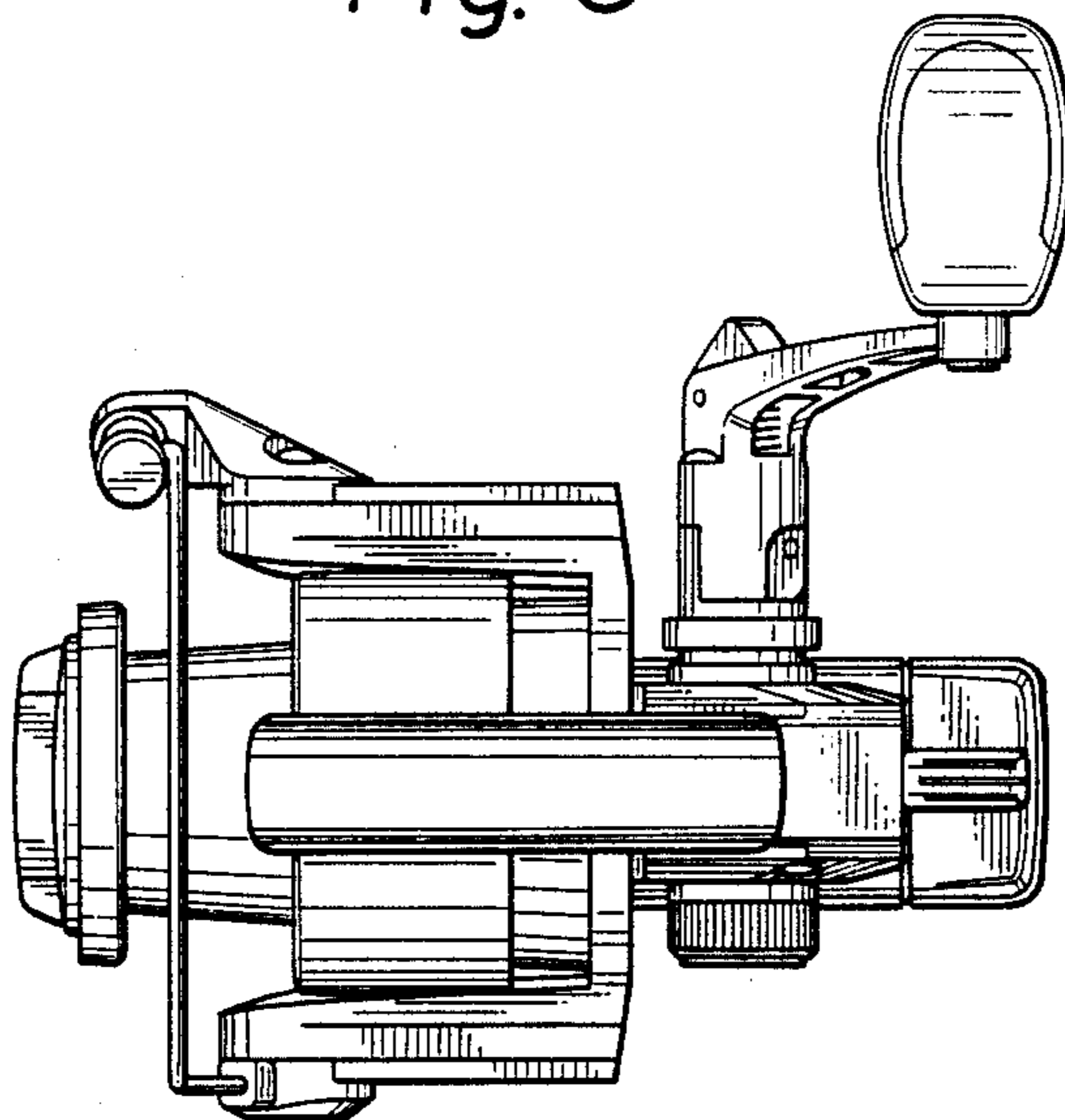


Fig. 6

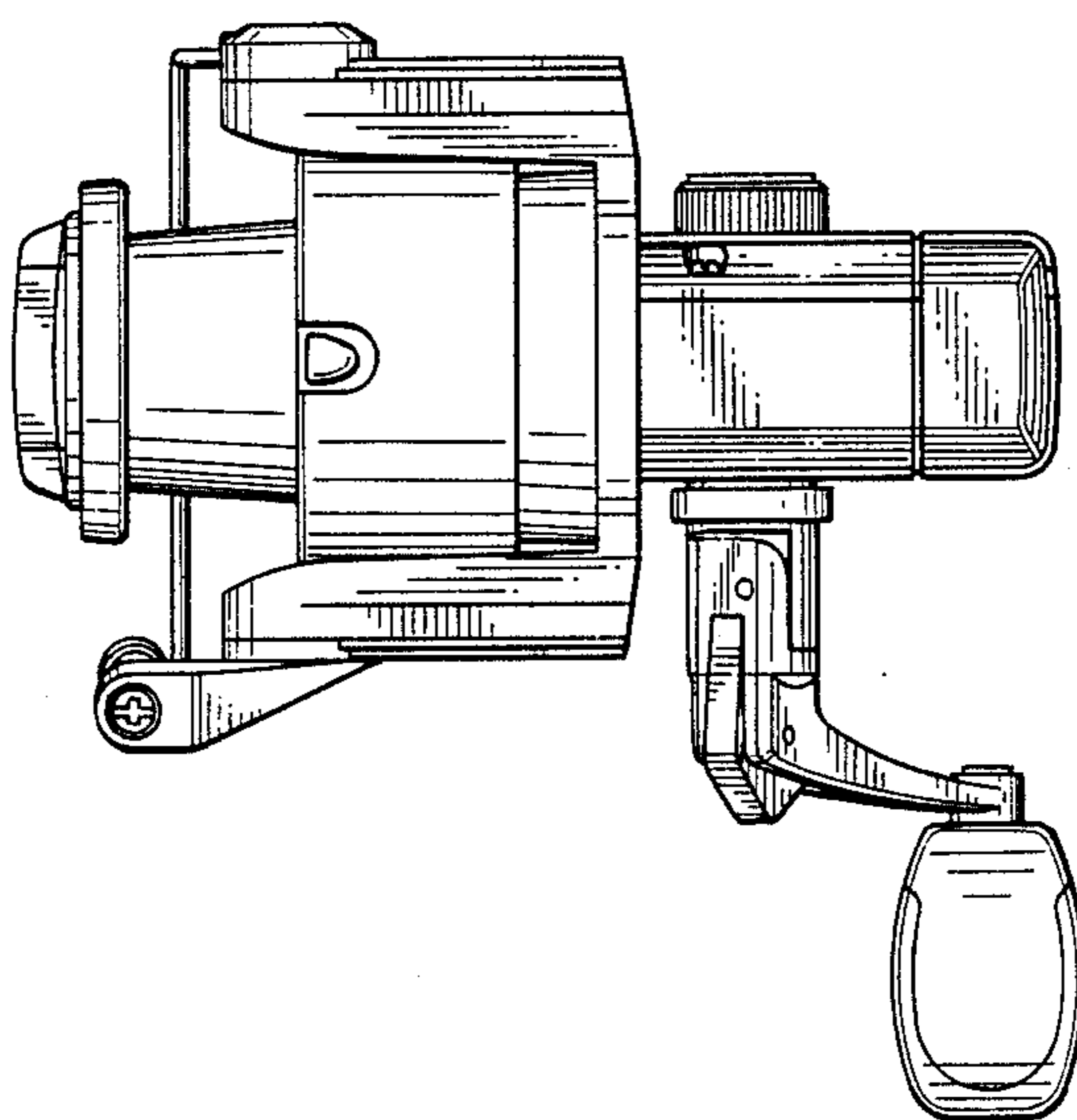


Fig. 7

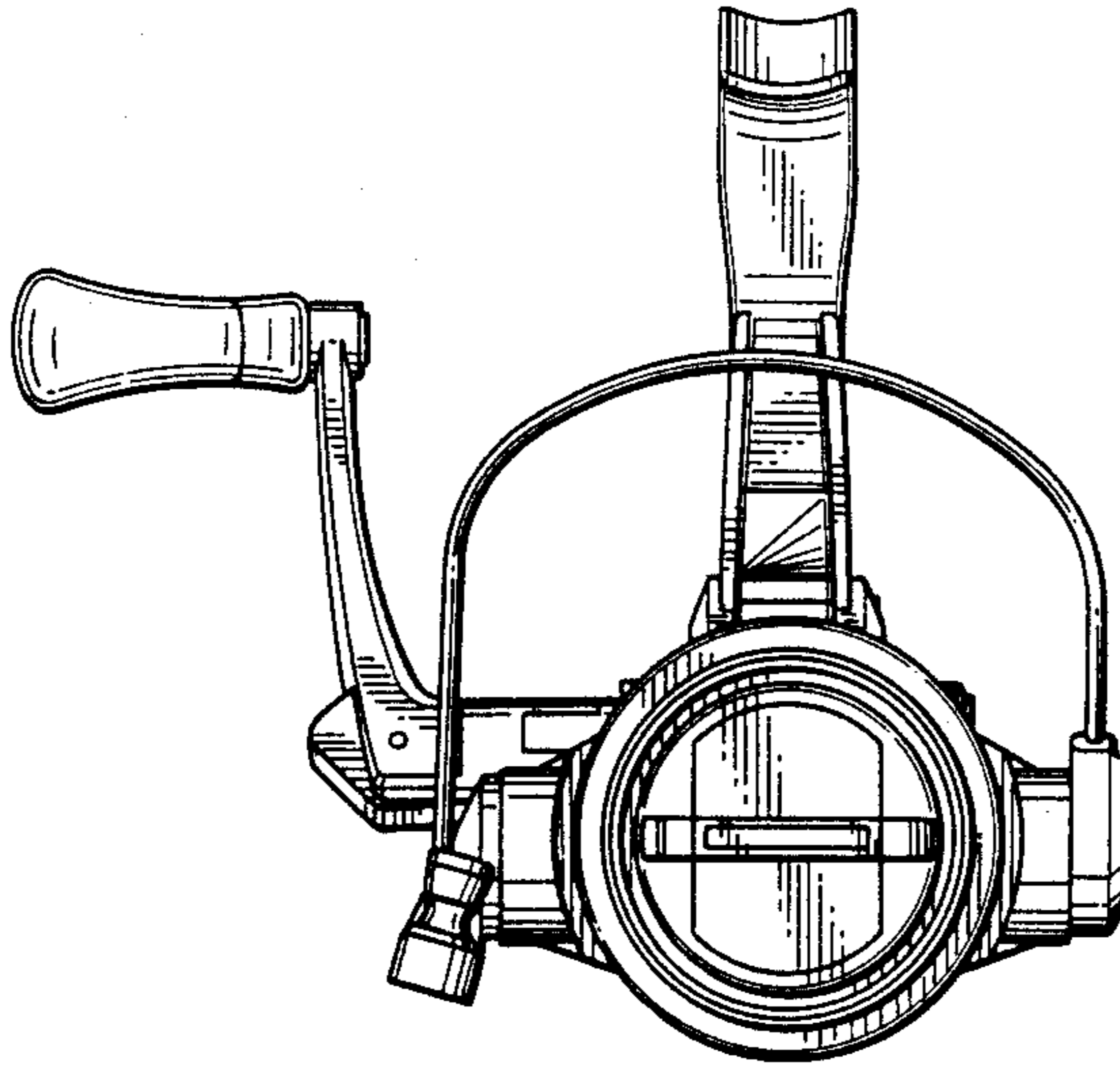


Fig. 8

