

United States Patent [19]

Yang

[11] Patent Number: **Des. 309,337**

[45] Date of Patent: **** Jul. 17, 1990**

[54] **CYCLE EXERCISER**

[76] Inventor: **Lien C. Yang**, 11F. No. 149,
Roosevelt Rd., Sec. 3, Taipei,
Taiwan

[**] Term: **14 Years**

[21] Appl. No.: **261,468**

[22] Filed: **Oct. 24, 1988**

[52] U.S. Cl. **D21/194**

[58] Field of Search **D21/191-199;**
272/70.3, 73, 132; 73/379

[56] **References Cited**

U.S. PATENT DOCUMENTS

- D. 280,003 8/1985 Kiiski D21/194
D. 280,923 10/1985 Smith D21/194
D. 283,431 4/1986 Gustafsson D21/194

- D. 285,016 9/1986 Berntsson D21/194
D. 286,665 11/1986 Kelley D21/194
D. 289,669 5/1987 Kasuba et al. D21/194
D. 299,504 1/1989 Hong et al. D21/194

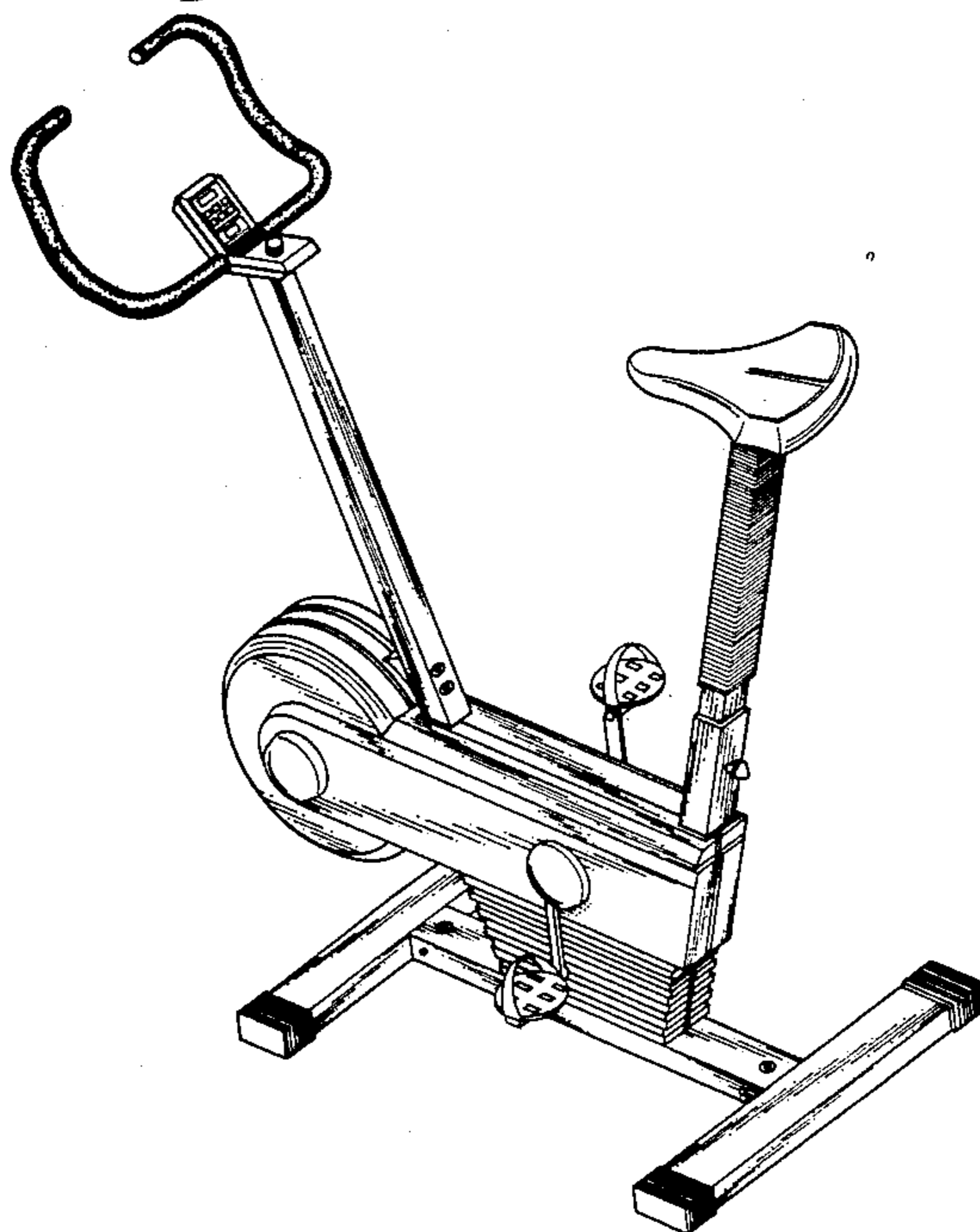
Primary Examiner—Charles A. Rademaker
Attorney, Agent, or Firm—Joseph Scafetta, Jr.

[57] **CLAIM**

The ornamental design for a cycle exerciser, as shown and described.

DESCRIPTION

FIG. 1 is a perspective view of a cycle exerciser showing my new design;
FIG. 2 is a front elevational view thereof;
FIG. 3 is a rear elevational view thereof;
FIG. 4 is a top plan view thereof;
FIG. 5 is a left side elevational view thereof; and
FIG. 6 is a right side elevational view thereof.



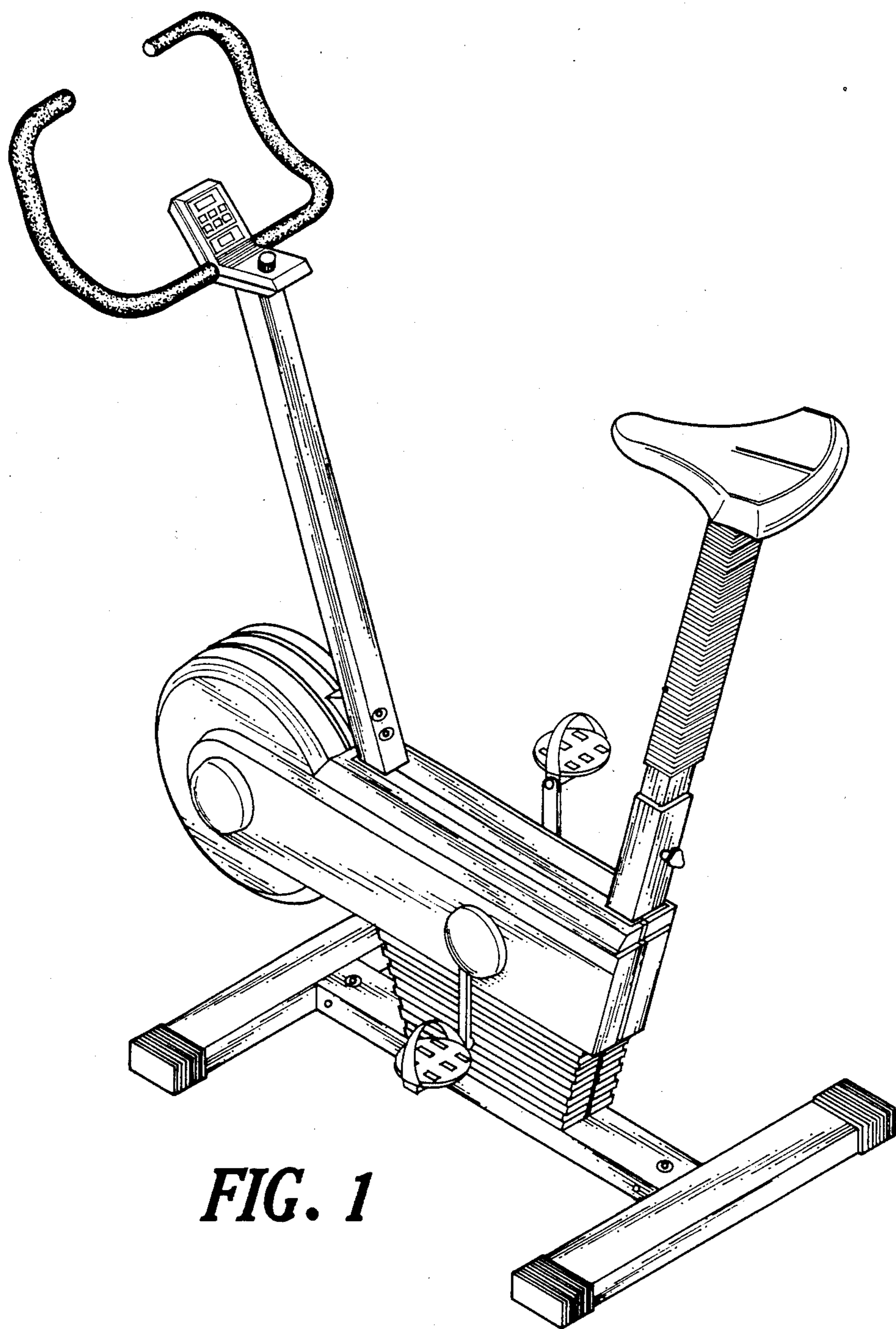


FIG. 1

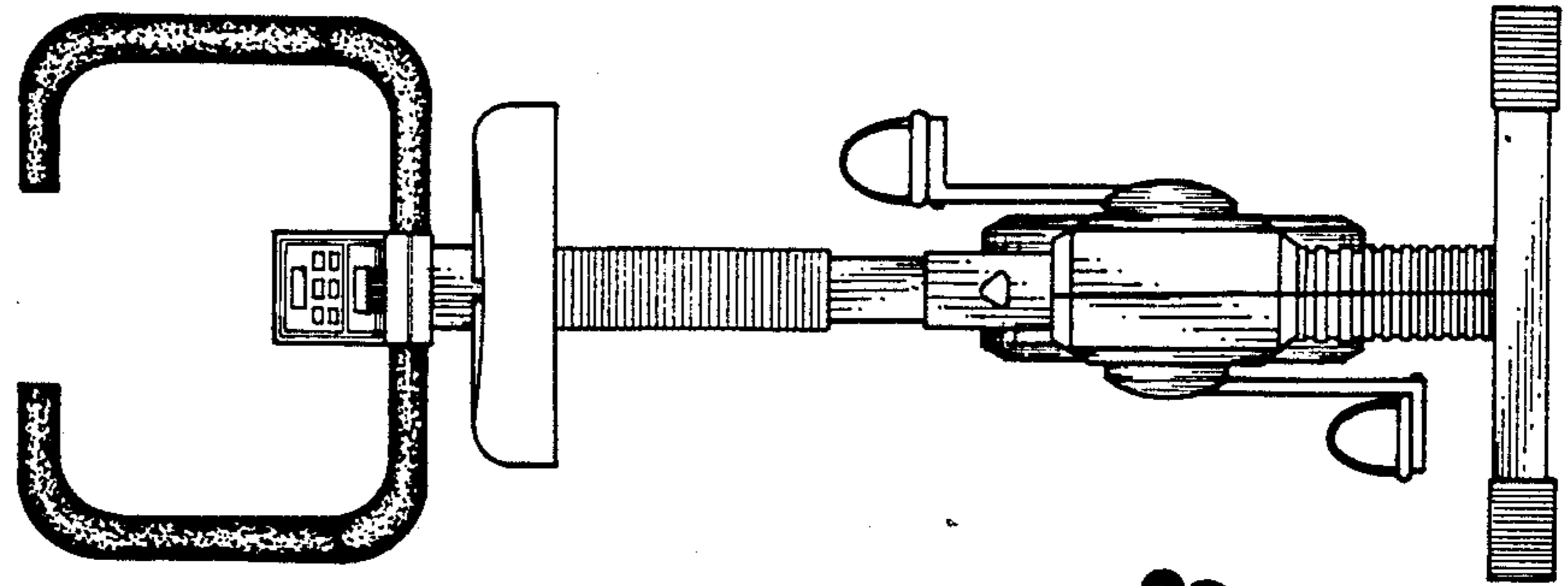


FIG. 2

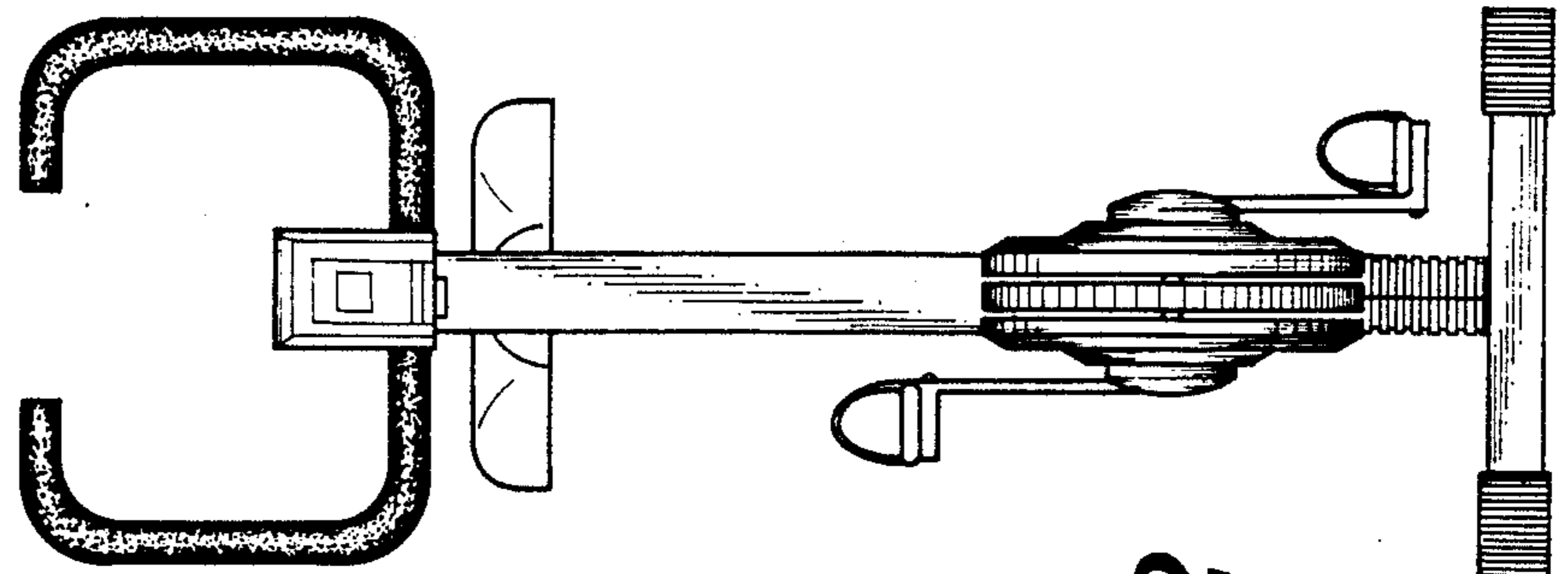


FIG. 3

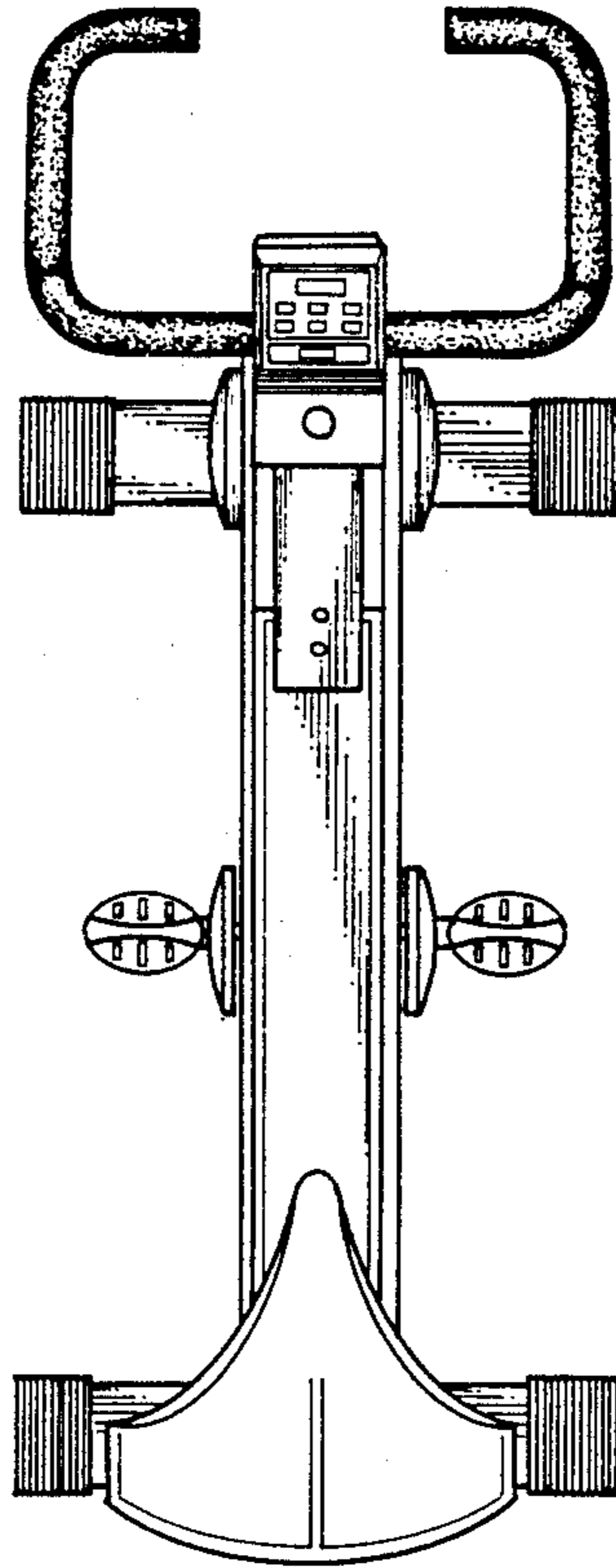


FIG. 4

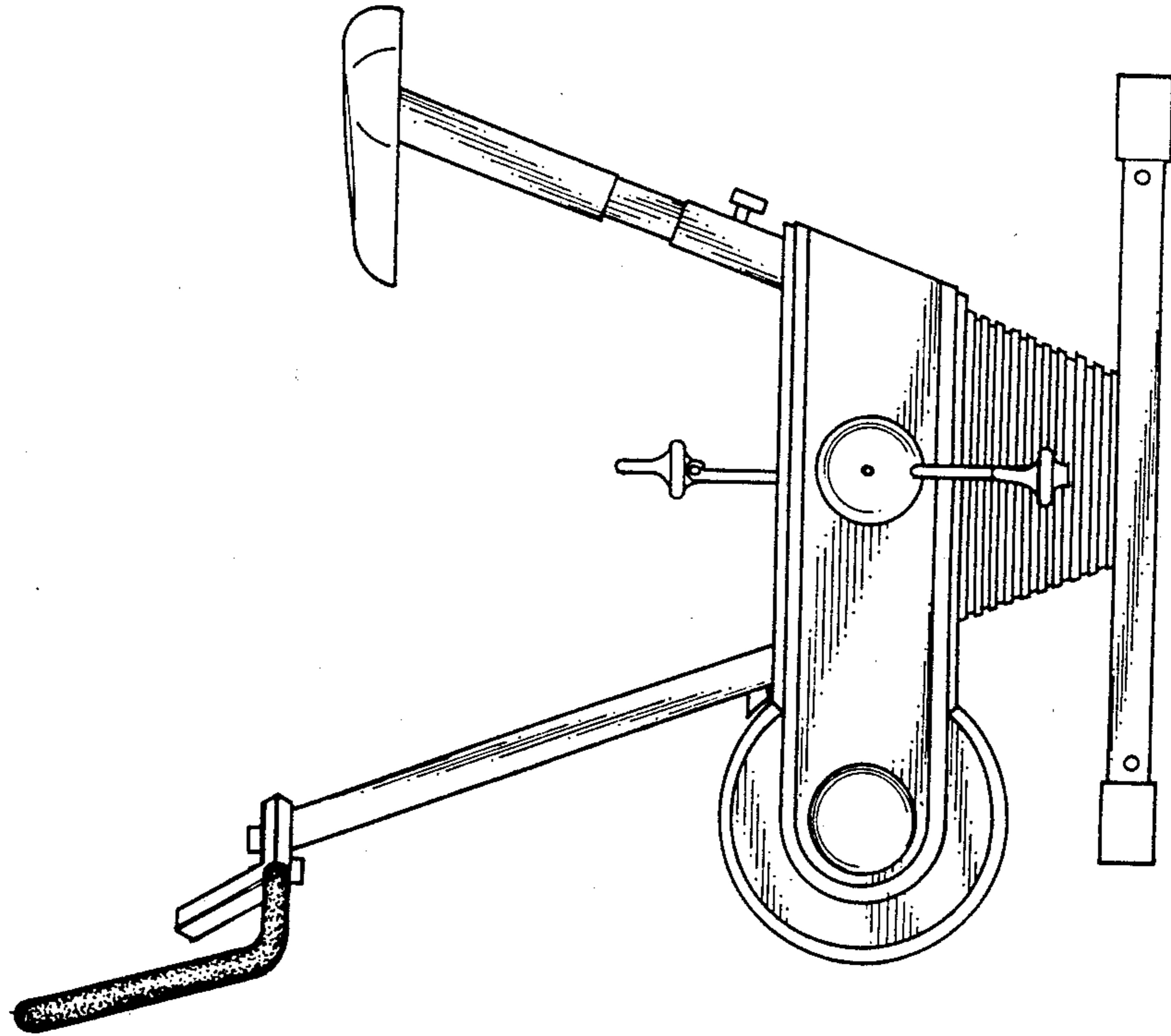


FIG. 5

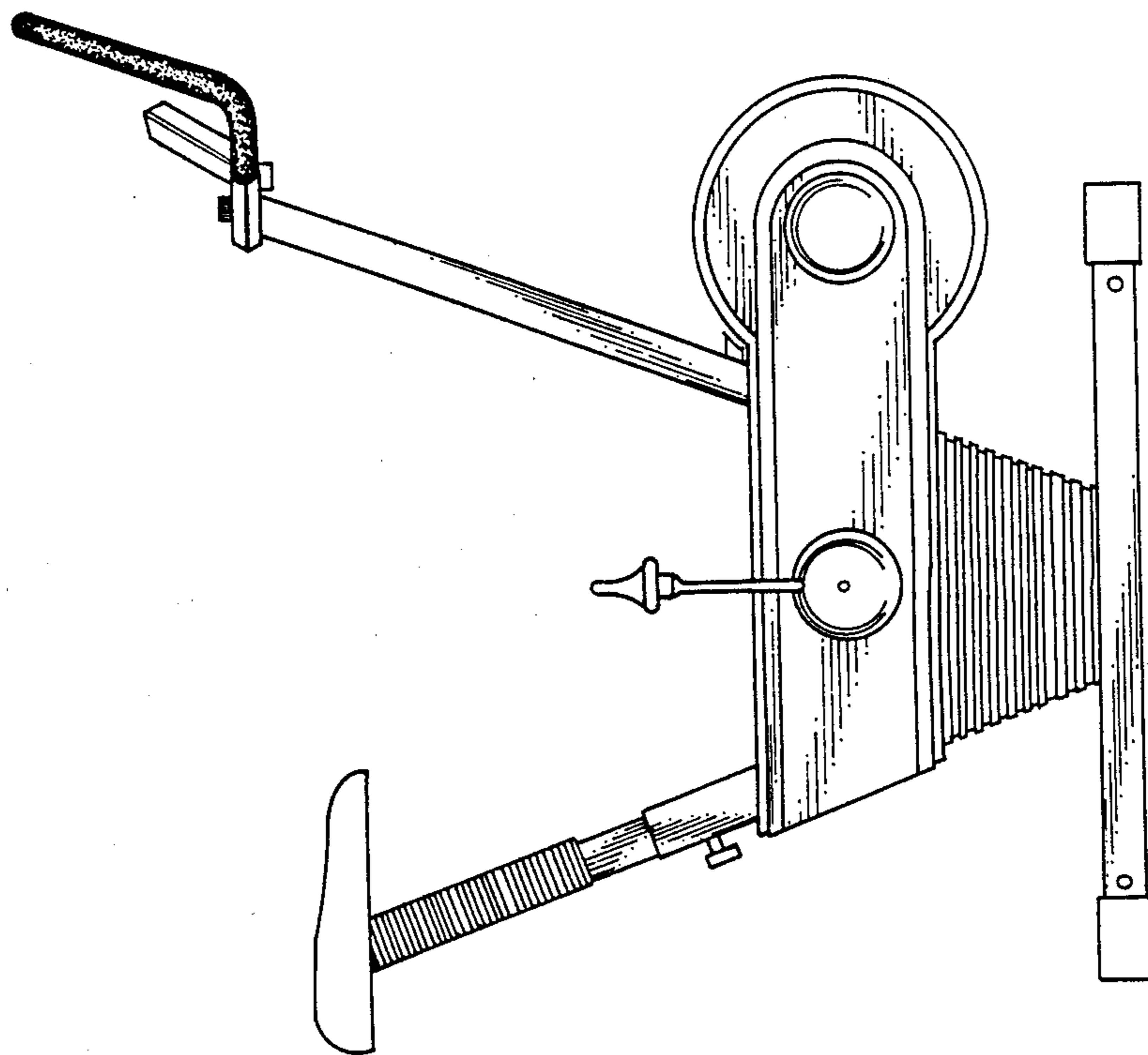


FIG. 6

UNITED STATES PATENT AND TRADEMARK OFFICE
CERTIFICATE OF CORRECTION

PATENT NO. : Des. 309,337
DATED : July 17, 1990
INVENTOR(S) : Lien C. Yang

It is certified that error appears in the above-identified patent and that said Letters Patent is hereby corrected as shown below:

On the title page:

Item [56] References Cited, left column, penultimate line, "Smith" should be -- Smith et al.--.

Item [56] References Cited, right column, top line, "D.285,016" should be --D.285,816--.

**Signed and Sealed this
Fourteenth Day of May, 1991**

Attest:

Attesting Officer

HARRY F. MANBECK, JR.

Commissioner of Patents and Trademarks