

[54] CYCLE EXERCISER

[76] Inventor: Lien C. Yang, 11F. No. 149, Roosevelt Rd. Sec. 3, Taipei, Taiwan

[\*\*] Term: 14 Years

[21] Appl. No.: 261,466

[22] Filed: Oct. 24, 1988

[52] U.S. Cl. .... D21/194

[58] Field of Search ..... D21/191-199; 272/70.3, 73, 132; 73/379

[56] References Cited

U.S. PATENT DOCUMENTS

|            |        |                    |         |
|------------|--------|--------------------|---------|
| D. 280,003 | 8/1985 | Kiiski .....       | D21/194 |
| D. 283,431 | 4/1986 | Gustafsson .....   | D21/194 |
| D. 285,816 | 9/1986 | Berntsson .....    | D21/194 |
| D. 289,669 | 5/1987 | Kasuba et al. .... | D21/194 |

|            |        |                    |         |
|------------|--------|--------------------|---------|
| D. 289,670 | 5/1987 | Kasuba et al. .... | D21/194 |
| D. 299,504 | 1/1989 | Hong et al. ....   | D21/194 |
| D. 301,160 | 5/1989 | Hung .....         | D21/194 |

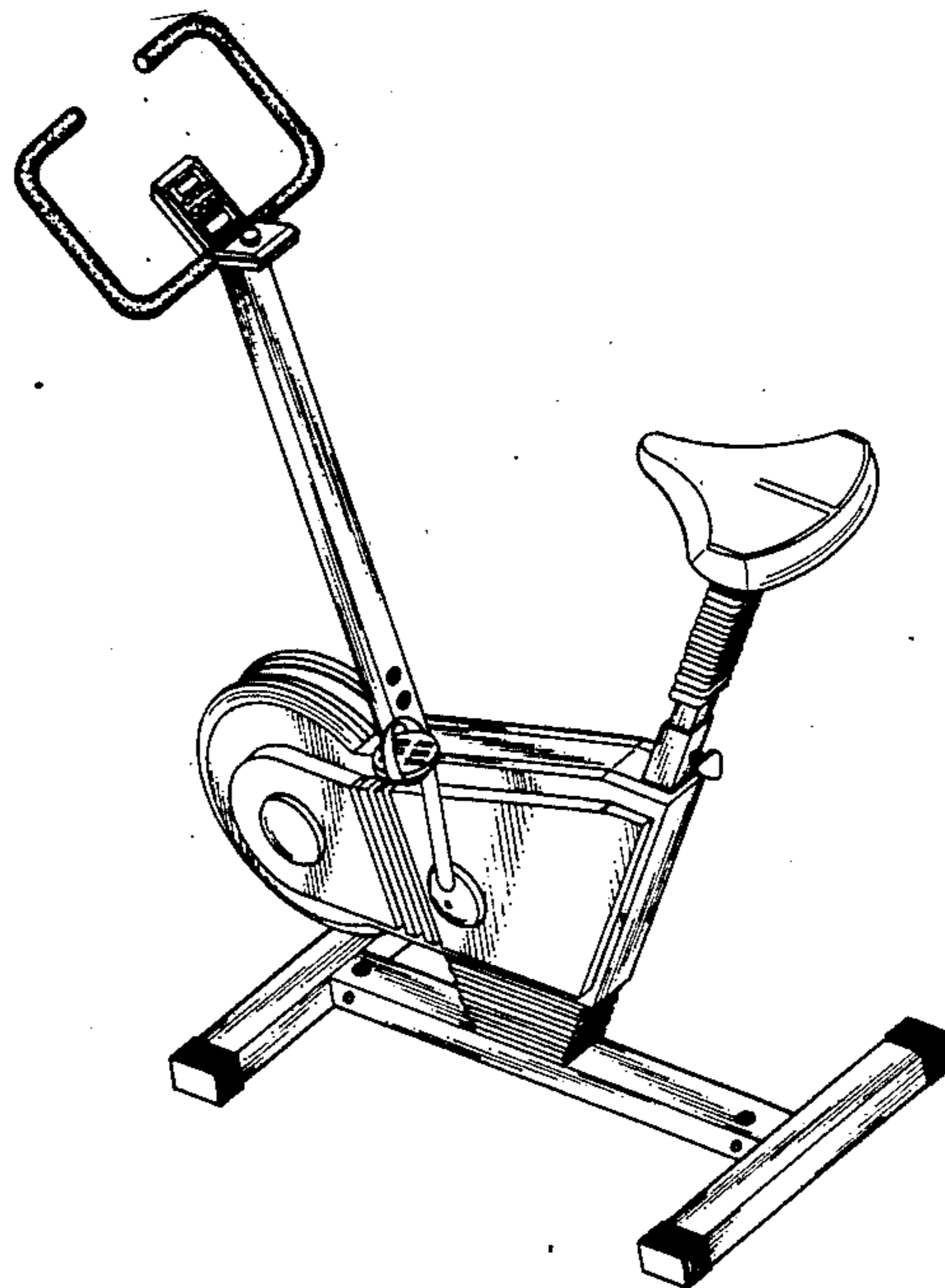
Primary Examiner—Charles A. Rademaker  
Attorney, Agent, or Firm—Joseph Scafetta, Jr.

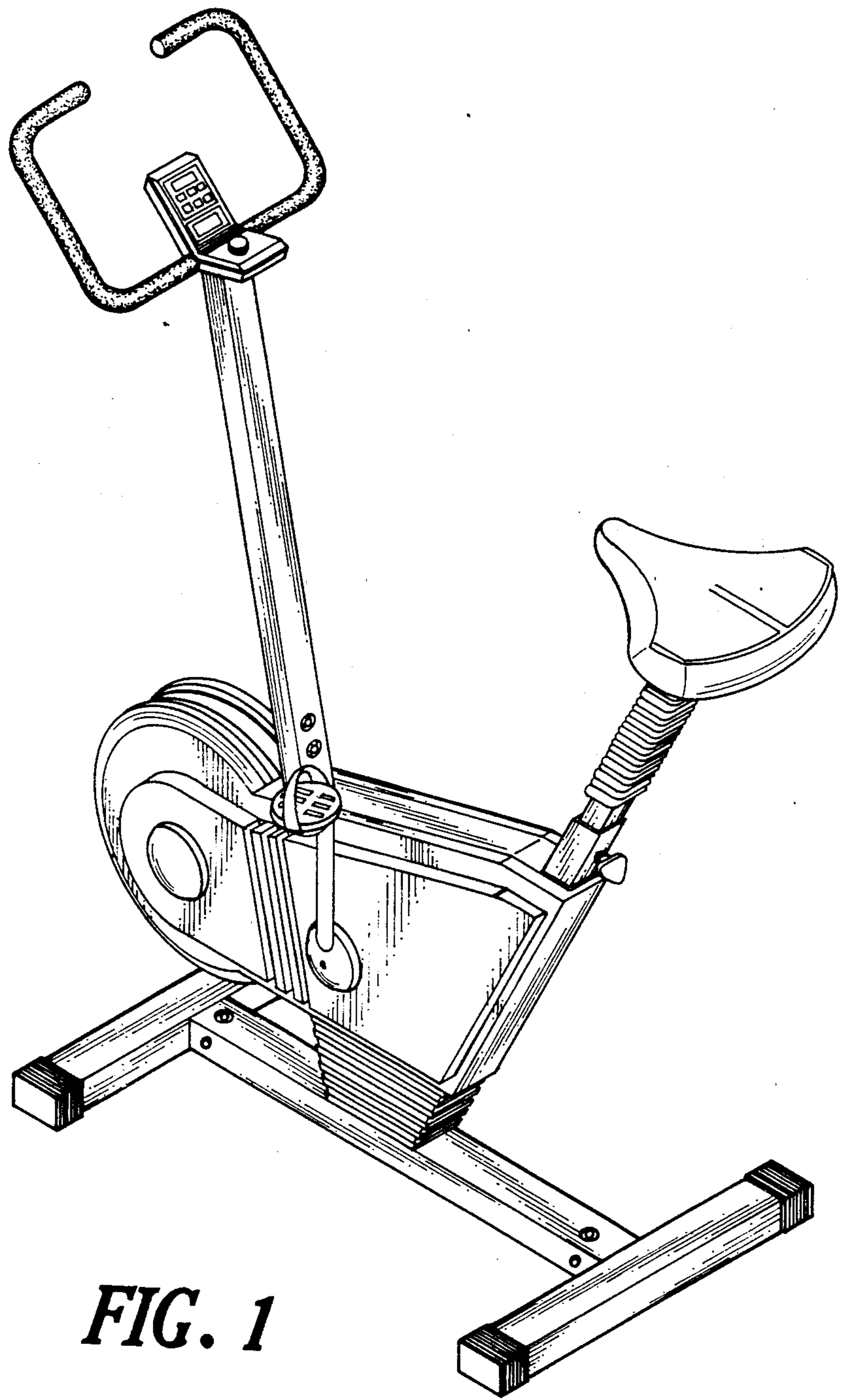
[57] CLAIM

The ornamental design for a cycle exerciser, as shown and described.

DESCRIPTION

FIG. 1 is a perspective view of a cycle exerciser showing my new design;  
FIG. 2 is a front elevational view thereof;  
FIG. 3 is a rear elevational view thereof;  
FIG. 4 is a top plan view thereof;  
FIG. 5 is a left side elevational view thereof; and  
FIG. 6 is a right side elevational view thereof.





**FIG. 1**

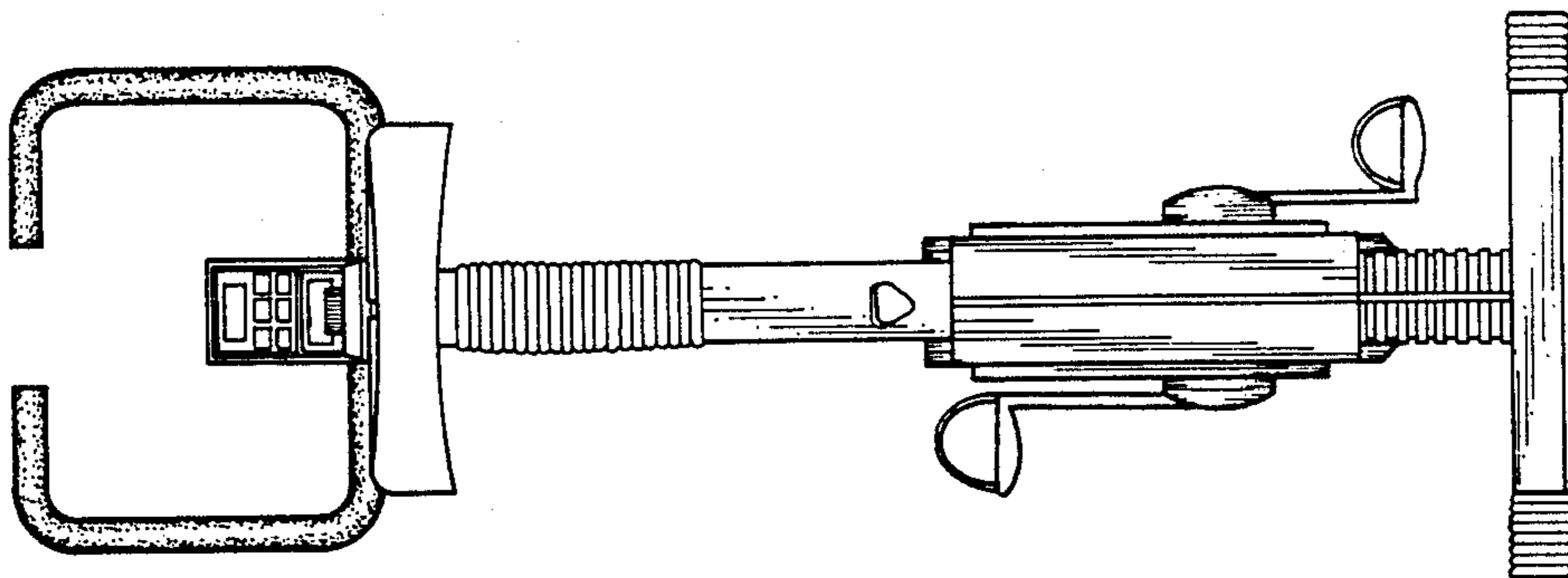


FIG. 3

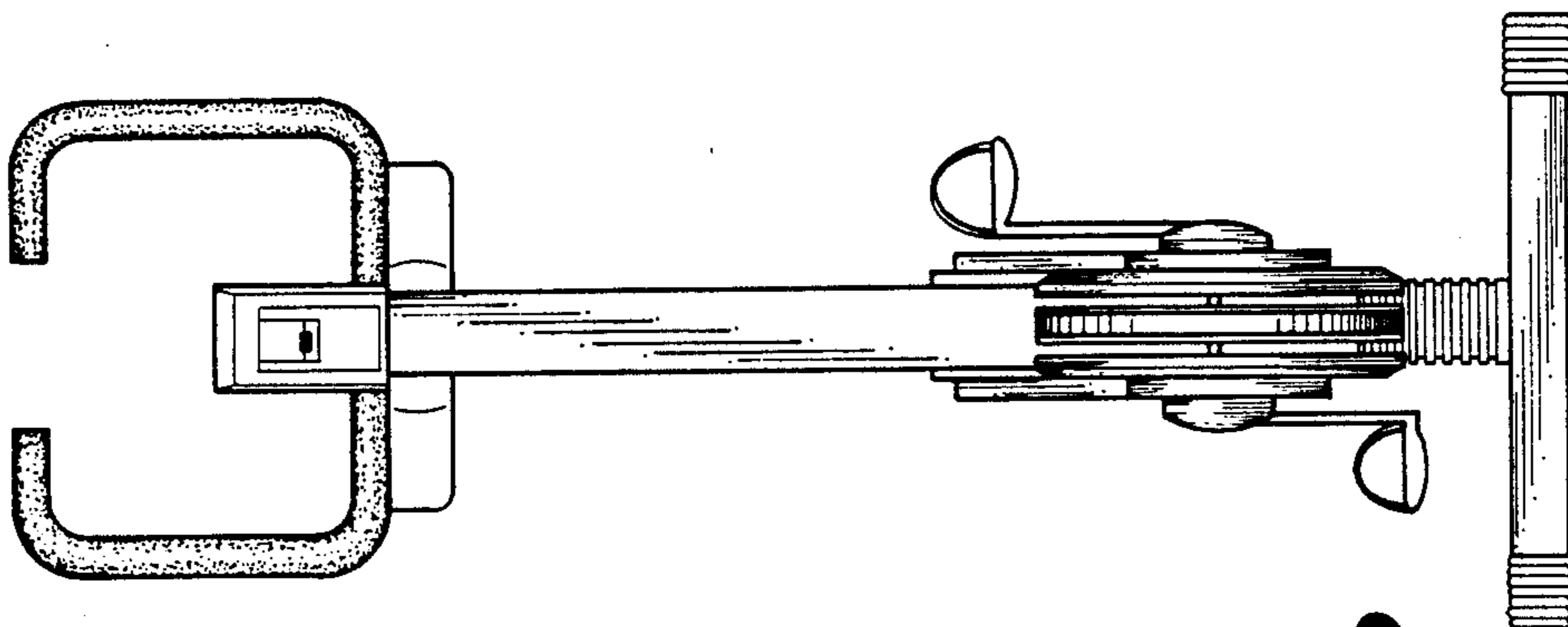
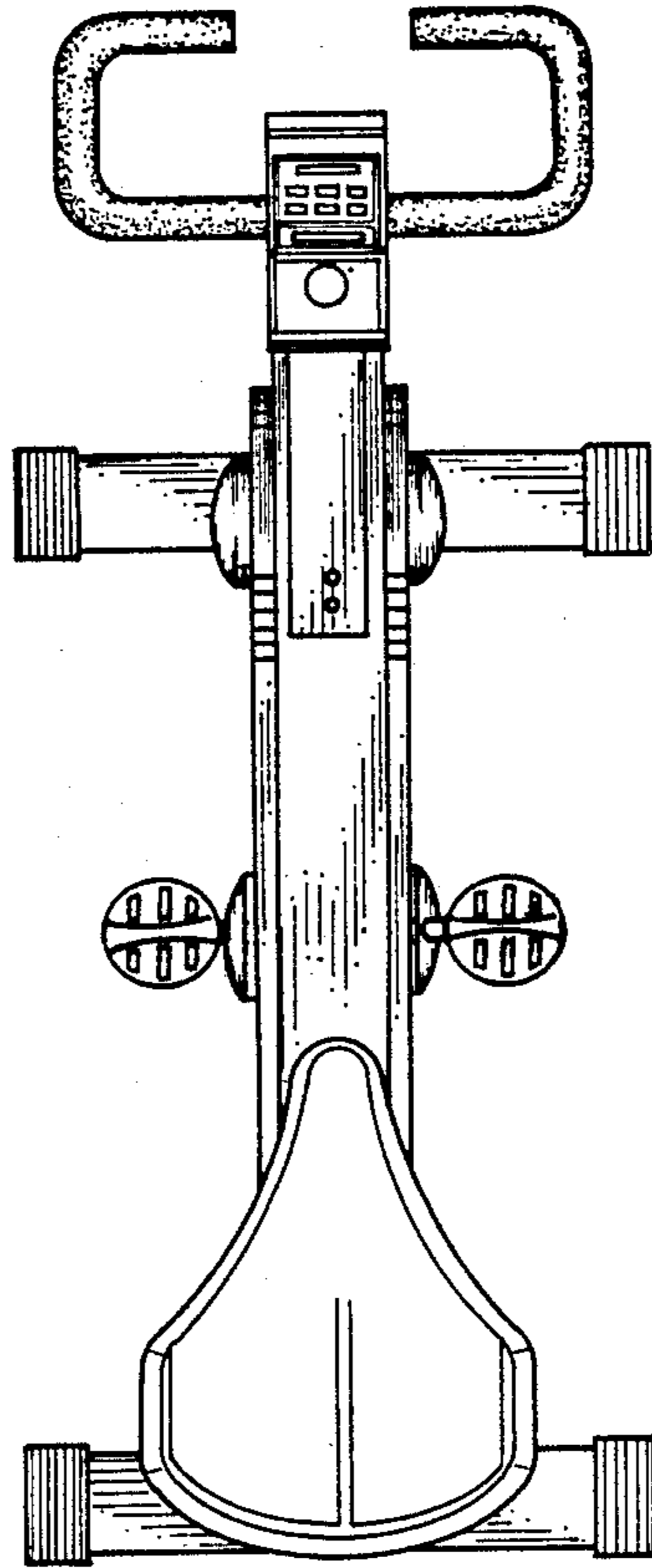
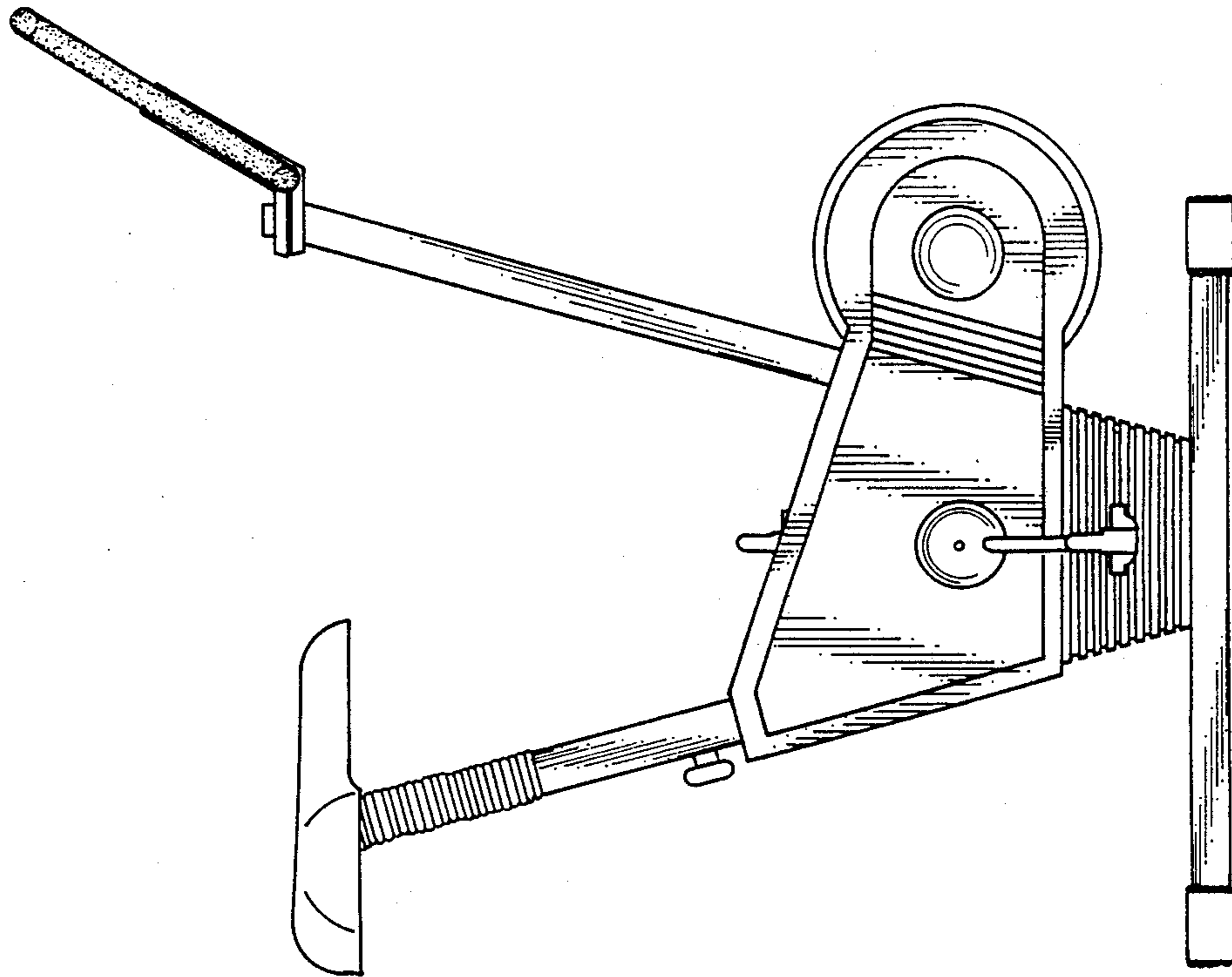


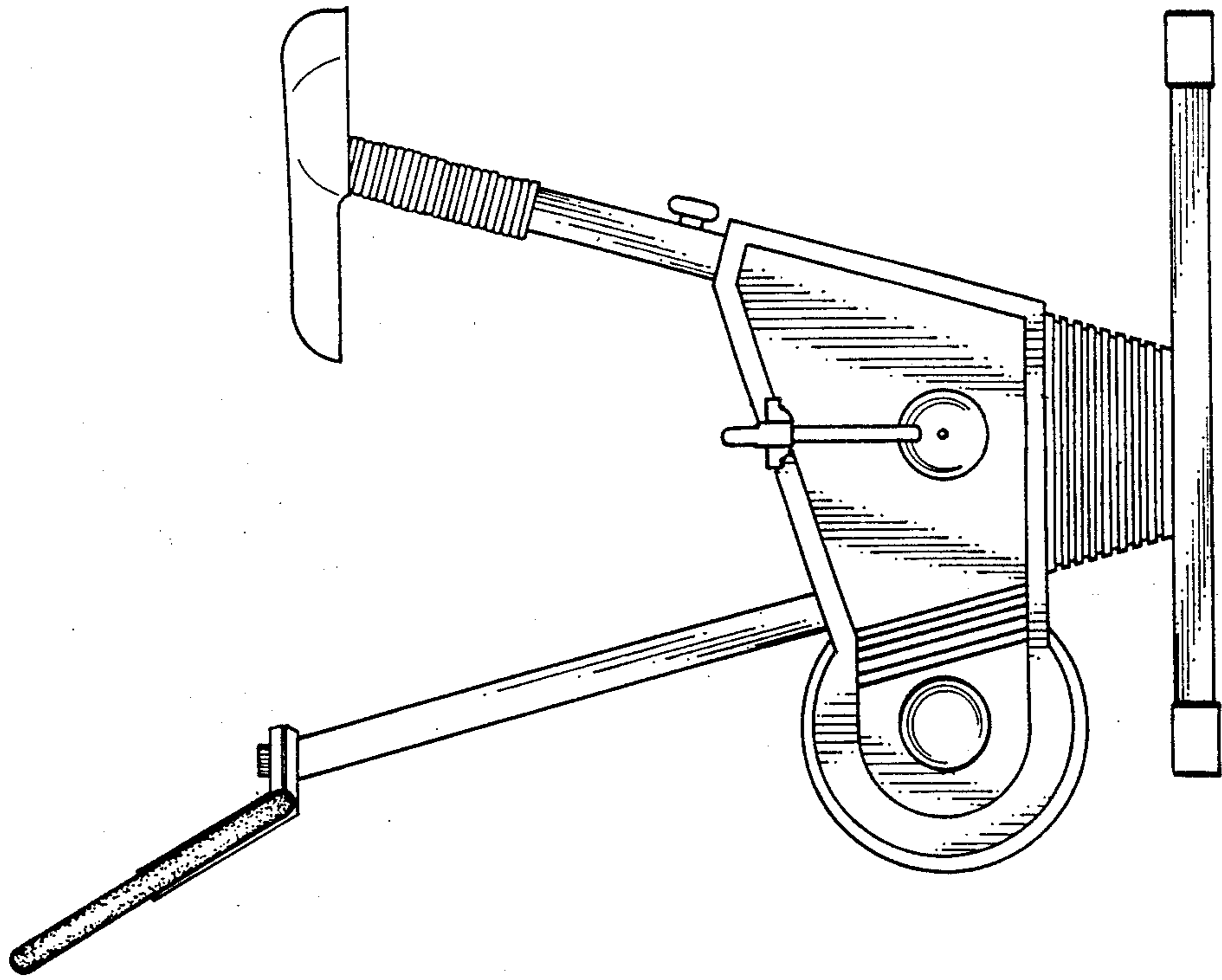
FIG. 2



**FIG. 4**



**FIG. 5**



**FIG. 6**