

[54] TOY BUILDING ELEMENT
 [75] Inventor: Flemming H. Olsen, Espergaerde, Denmark
 [73] Assignee: Interlego A.G., Switzerland
 [**] Term: 14 Years
 [21] Appl. No.: 278,144
 [22] Filed: Nov. 29, 1988
 [52] U.S. Cl. D21/108; D21/109
 [58] Field of Search D21/59, 104, 107, 108, D21/109, 114, 115; 446/65, 69, 70, 85, 102, 104, 105, 108, 109, 110, 112, 114, 115, 116, 117, 122, 127

100765 4/1965 Denmark 446/105
 40986 9/1965 Fed. Rep. of Germany 446/110
 983491 6/1951 France 446/108
 2336956 7/1977 France 446/124
 1042413 9/1966 United Kingdom 446/110

Primary Examiner—Charles A. Rademaker
 Assistant Examiner—Alicia A. Farrell
 Attorney, Agent, or Firm—Kane, Dalsimer, Sullivan, Kurucz, Levy, Eisele and Richard

[57] CLAIM

The ornamental design for a toy building element, as shown and described.

DESCRIPTION

FIG. 1 is a front elevational view of a toy building element showing my new design;
 FIG. 2 is a rear elevational view thereof;
 FIG. 3 is a top plan view thereof;
 FIG. 4 is a bottom plan view thereof;
 FIG. 5 is a right side elevational view thereof; the side opposite being a mirror image;
 FIG. 6 is a top perspective view thereof;
 FIG. 7 is a front elevational view of a first modified embodiment of the design shown in FIGS. 1 through 6;
 FIG. 8 is a top perspective view thereof;
 FIG. 9 is a front elevational view of a second modified embodiment of the design shown in FIGS. 1 through 6;
 FIG. 10 is a right side elevational view thereof, the side opposite being a mirror image; and
 FIG. 11 is a top perspective view thereof.

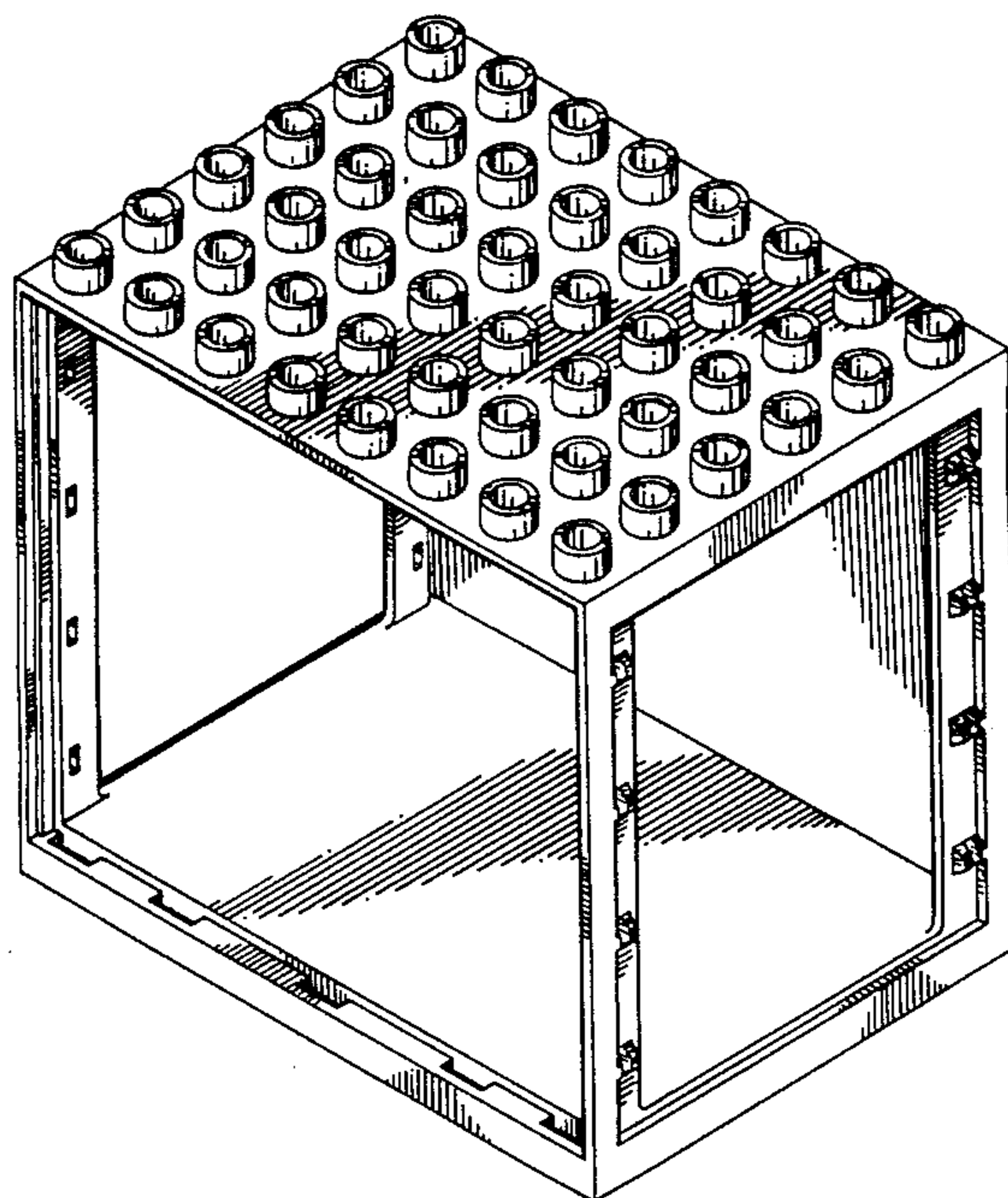
[56] References Cited

U.S. PATENT DOCUMENTS

| | | | | |
|------------|---------|--------------|-------|---------|
| D. 244,632 | 6/1977 | Christiansen | | D21/108 |
| D. 252,910 | 9/1979 | Bayly | | D21/108 |
| D. 252,979 | 9/1979 | Bayly | | D21/108 |
| D. 285,222 | 8/1986 | Nakata | | D21/108 |
| D. 286,417 | 10/1986 | Takahashi | | D21/108 |
| D. 290,628 | 6/1987 | Dideriksen | | D21/108 |
| D. 291,217 | 8/1987 | Tapdrup | | D21/108 |
| D. 295,643 | 5/1988 | Kushner | | D21/108 |
| 2,600,900 | 6/1952 | McNeill | | 446/110 |
| 2,780,028 | 2/1957 | McNeill | | 446/110 |
| 3,534,492 | 10/1970 | Majima | | 446/102 |

FOREIGN PATENT DOCUMENTS

| | | | | |
|--------|--------|--------|-------|---------|
| 543772 | 7/1957 | Canada | | 446/110 |
|--------|--------|--------|-------|---------|



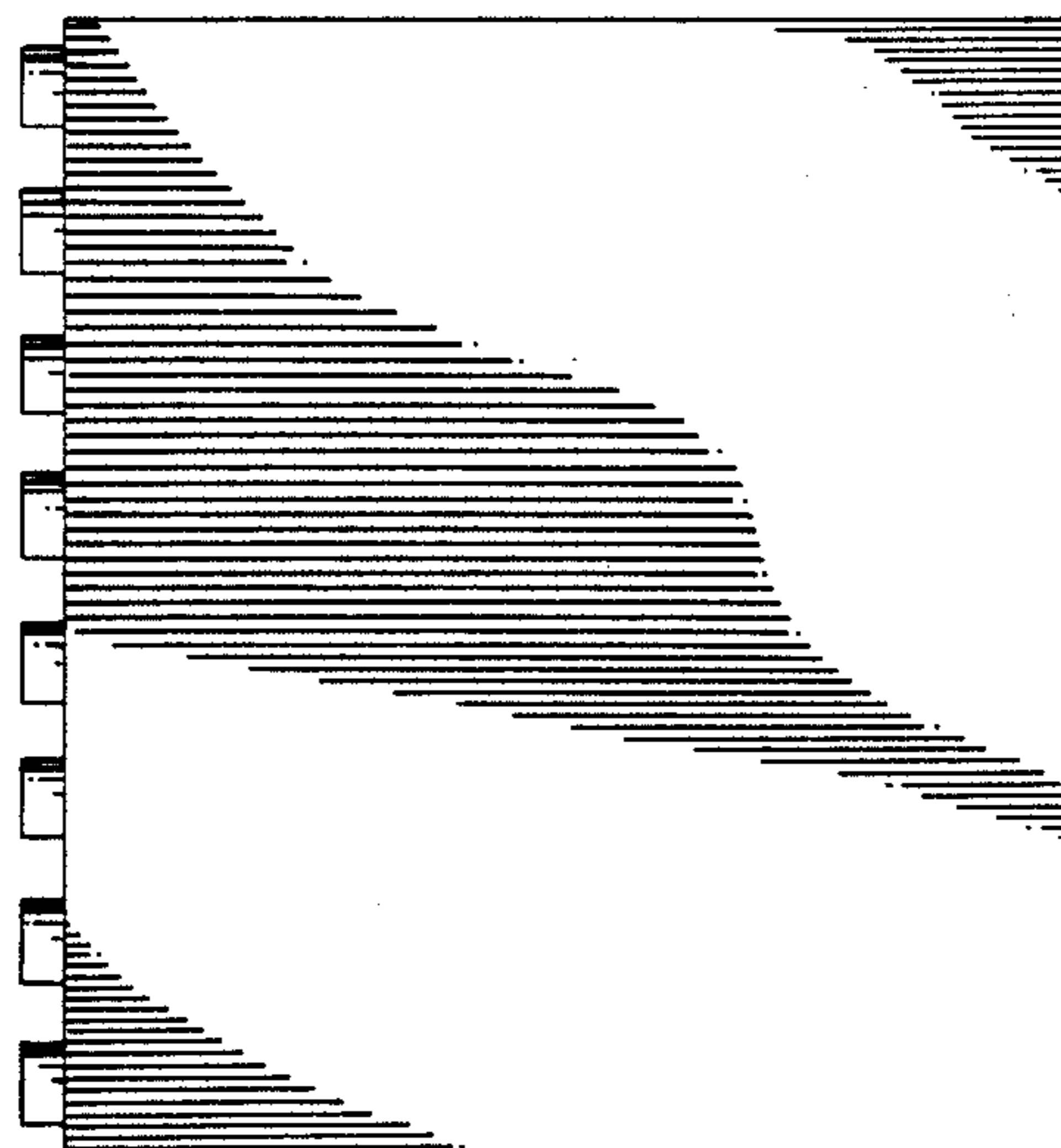


FIG. 2

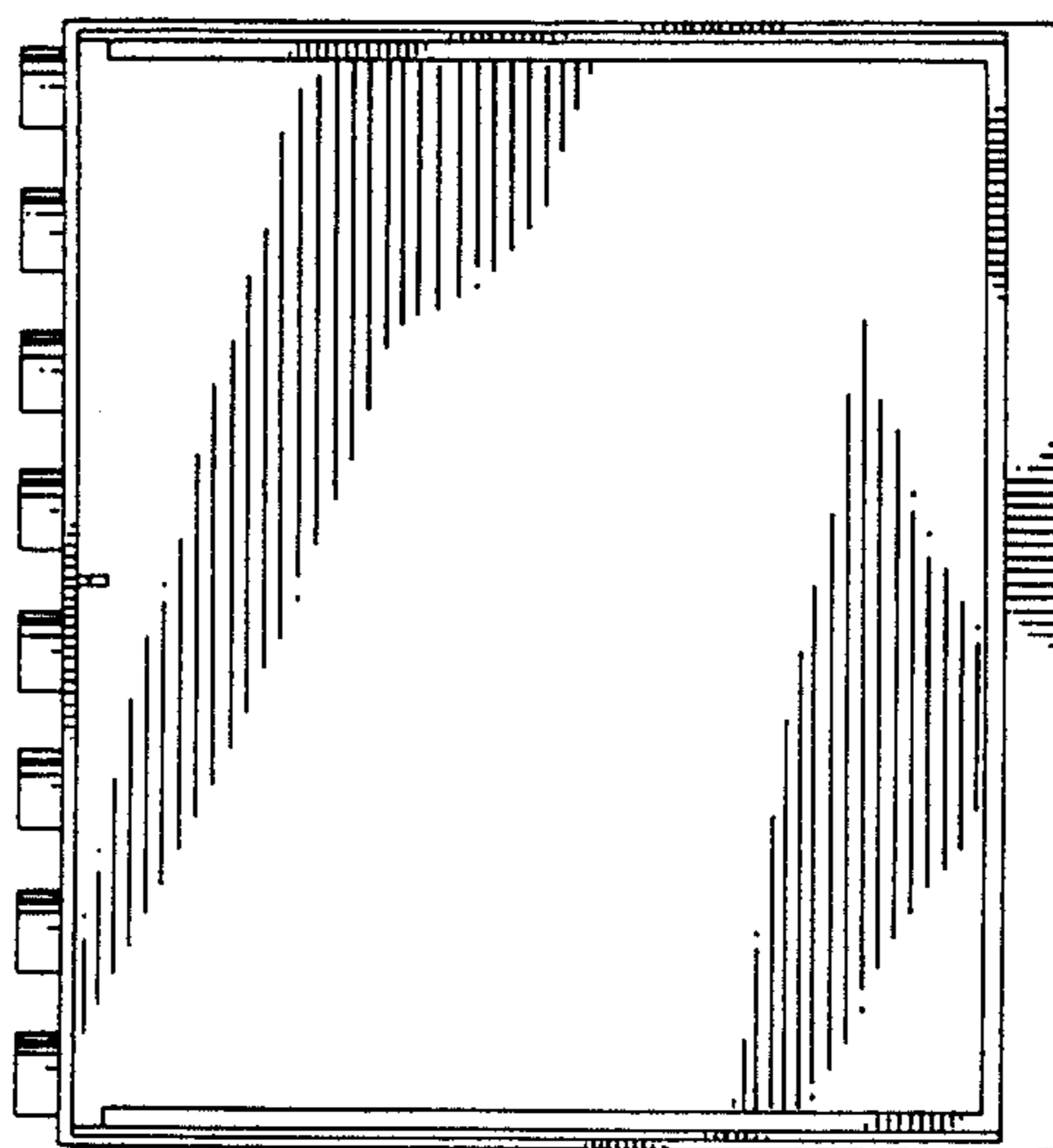


FIG. 7

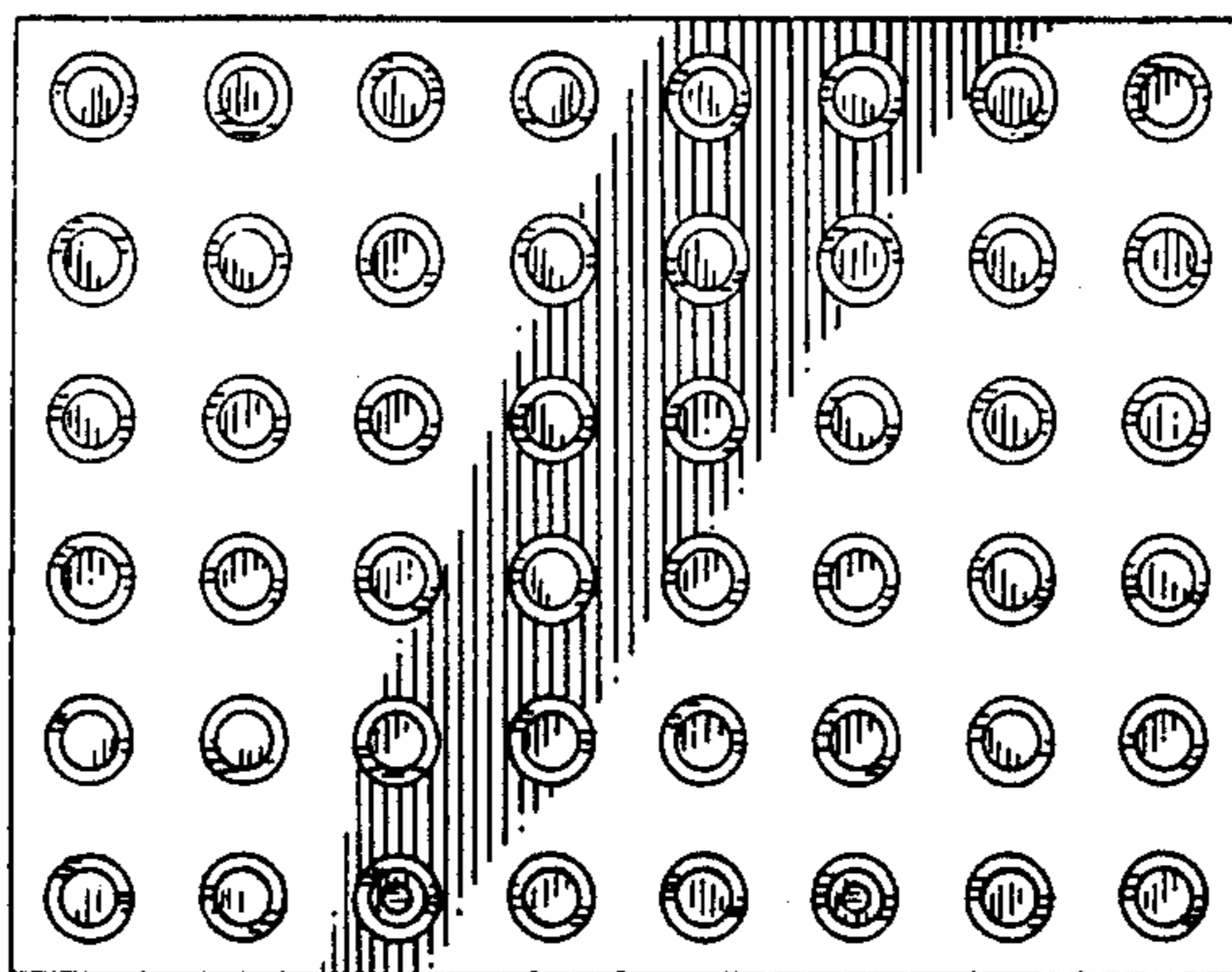


FIG. 3

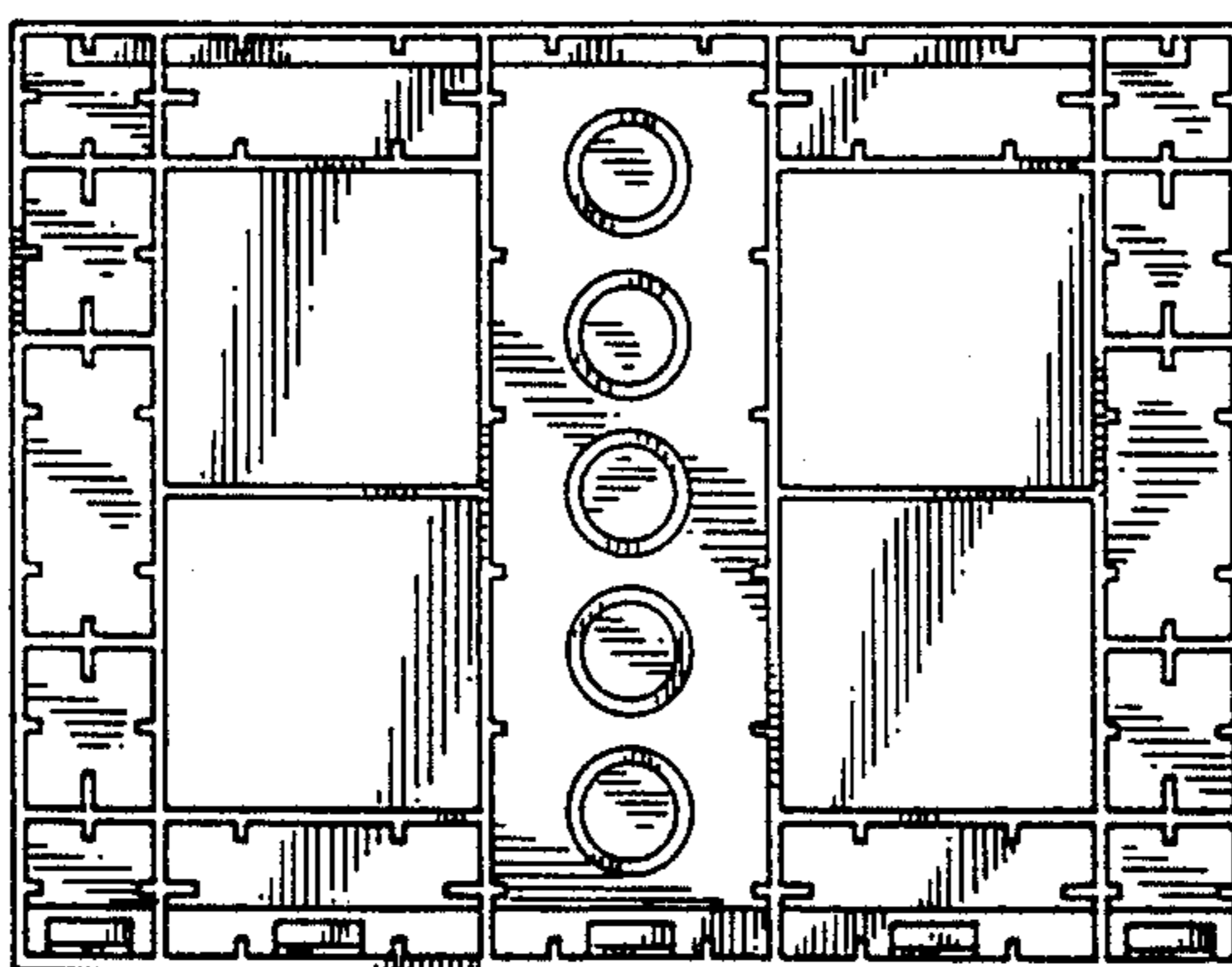


FIG. 4

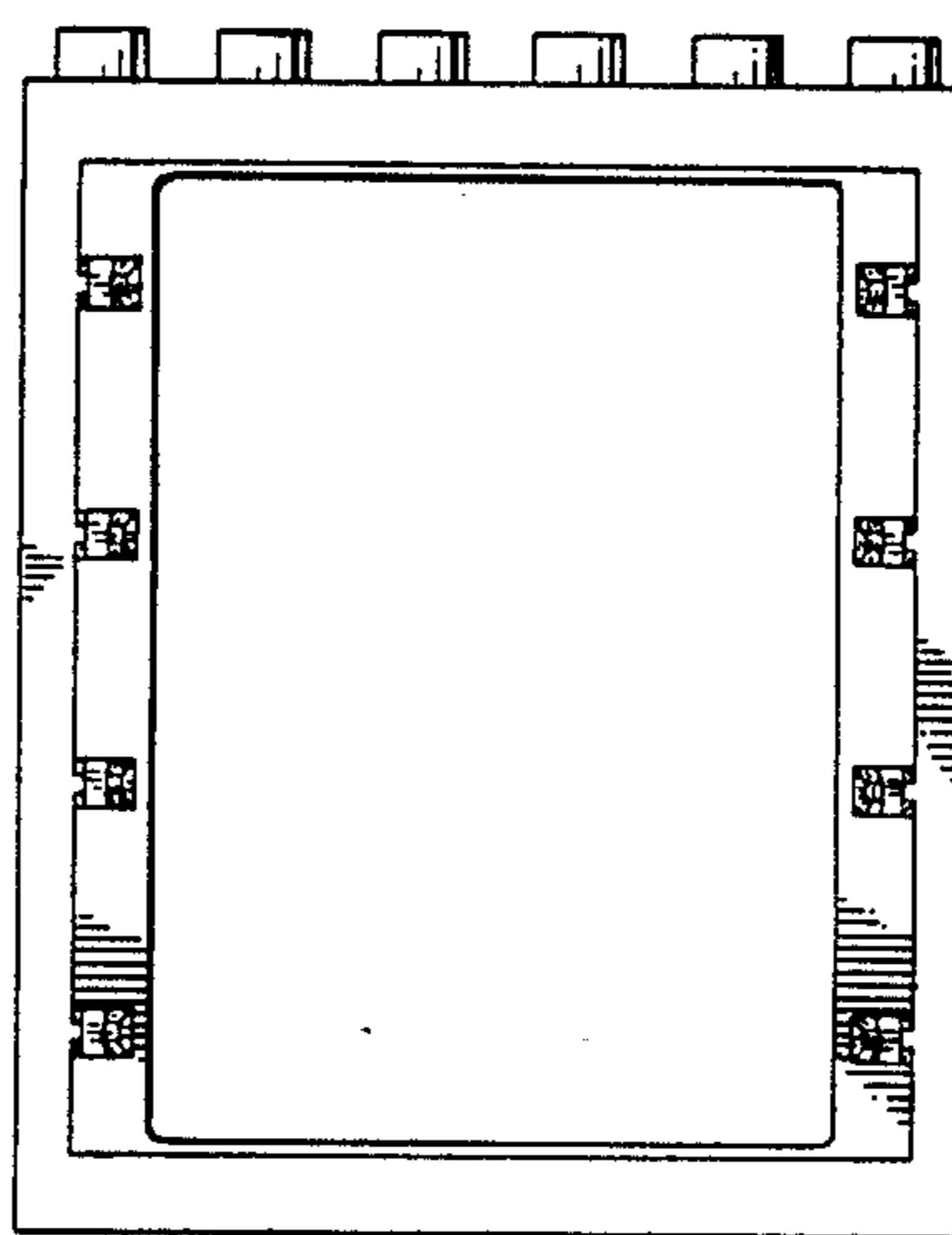


FIG. 5

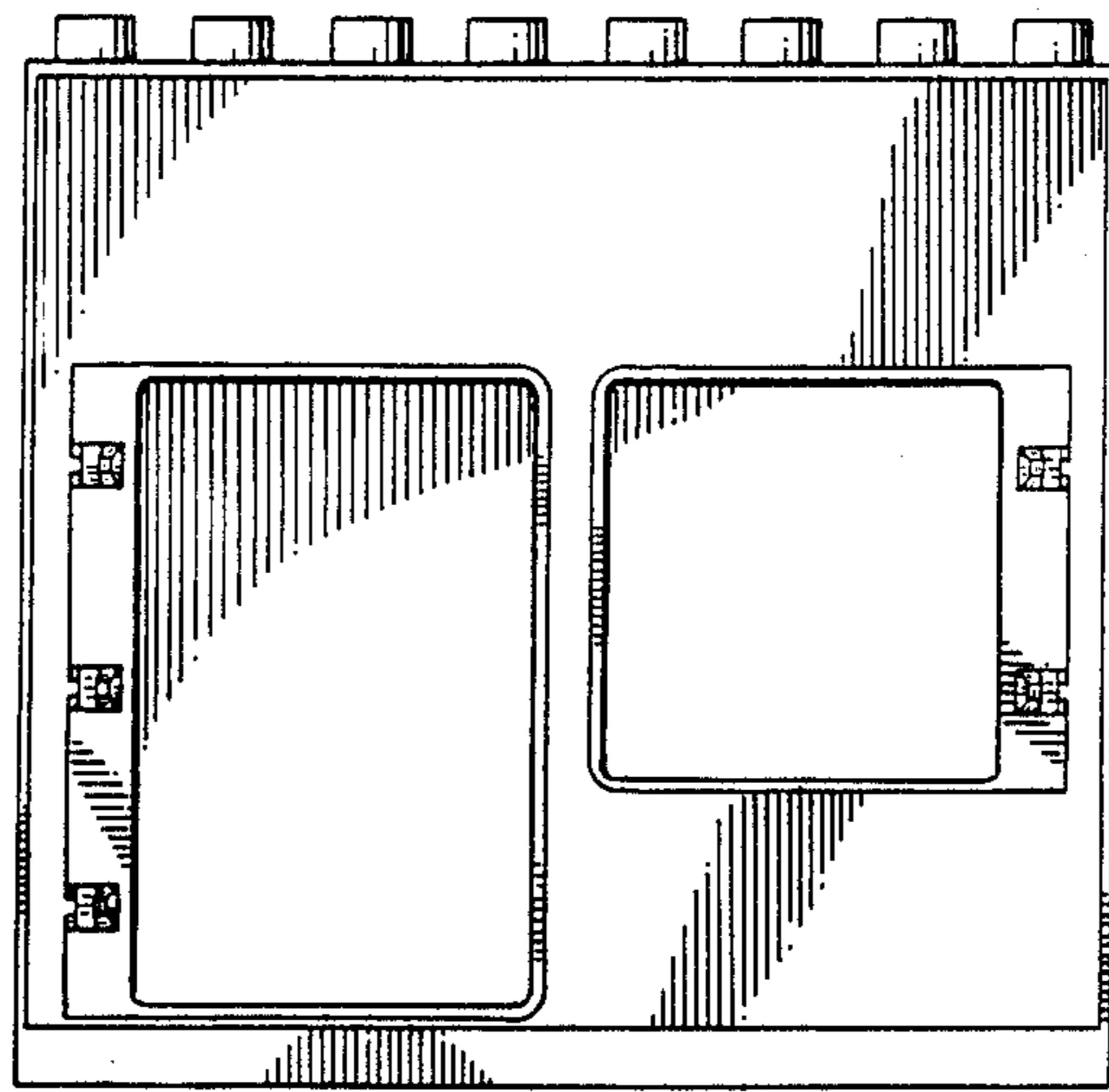


FIG. 7

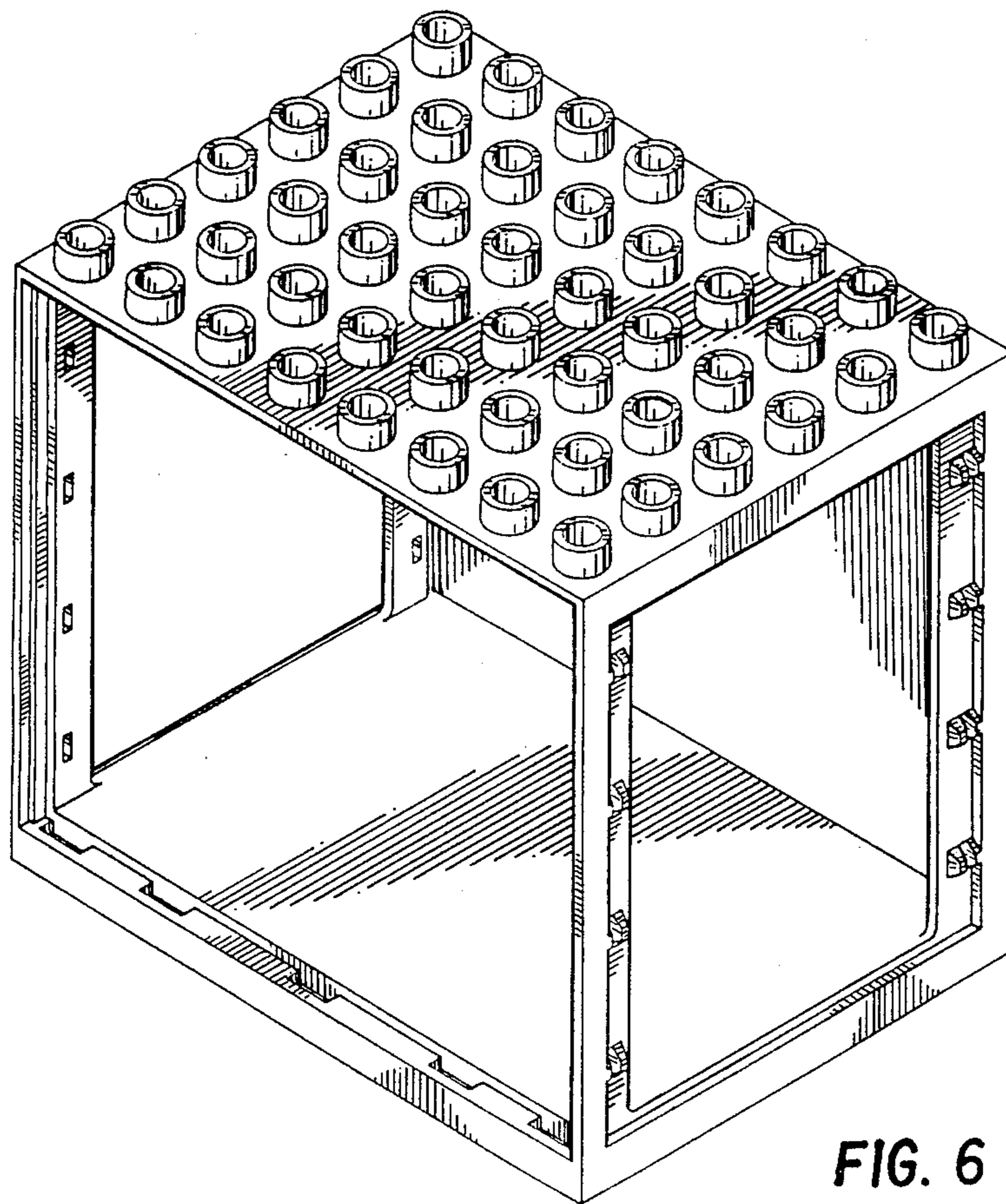


FIG. 6

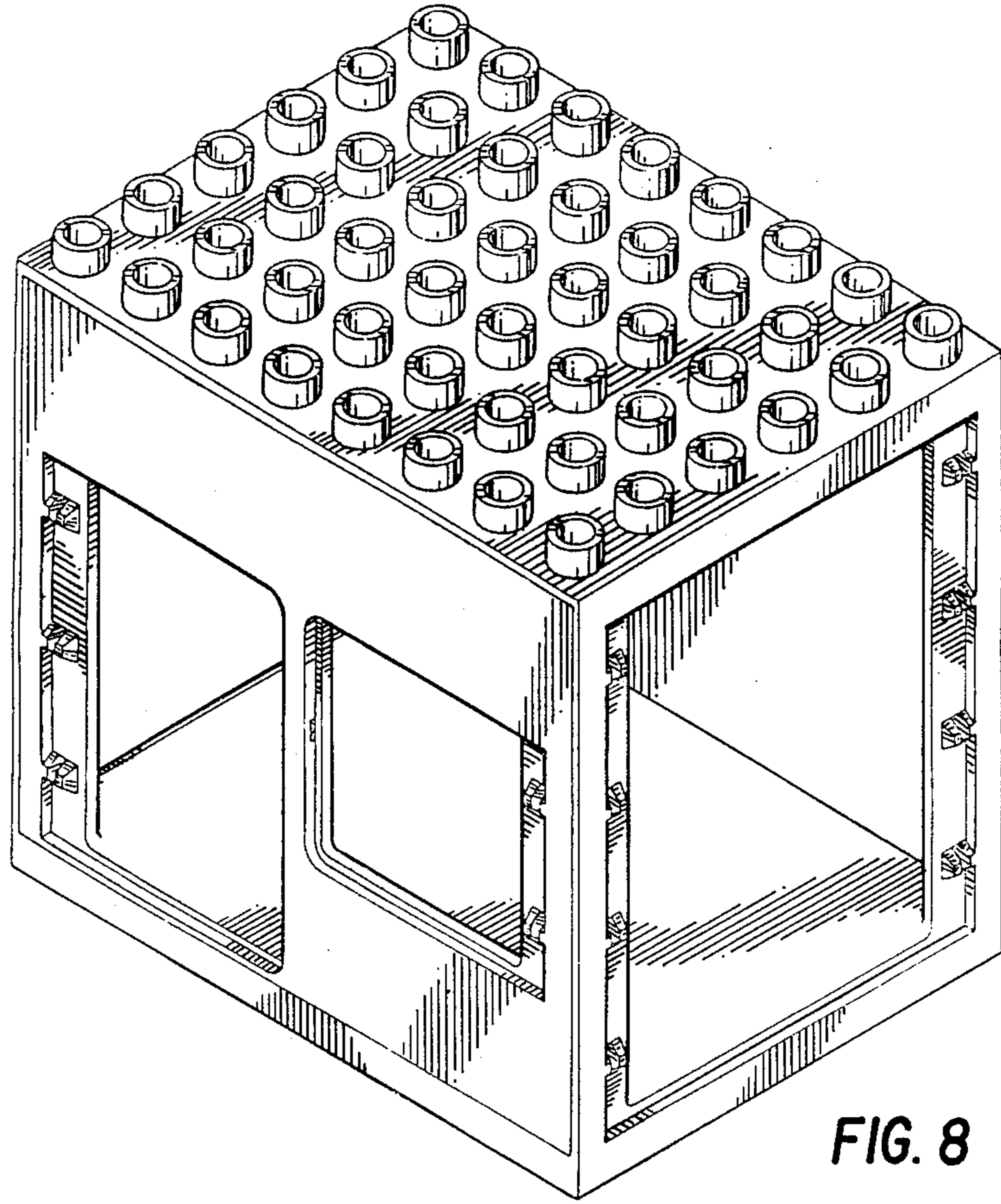


FIG. 8

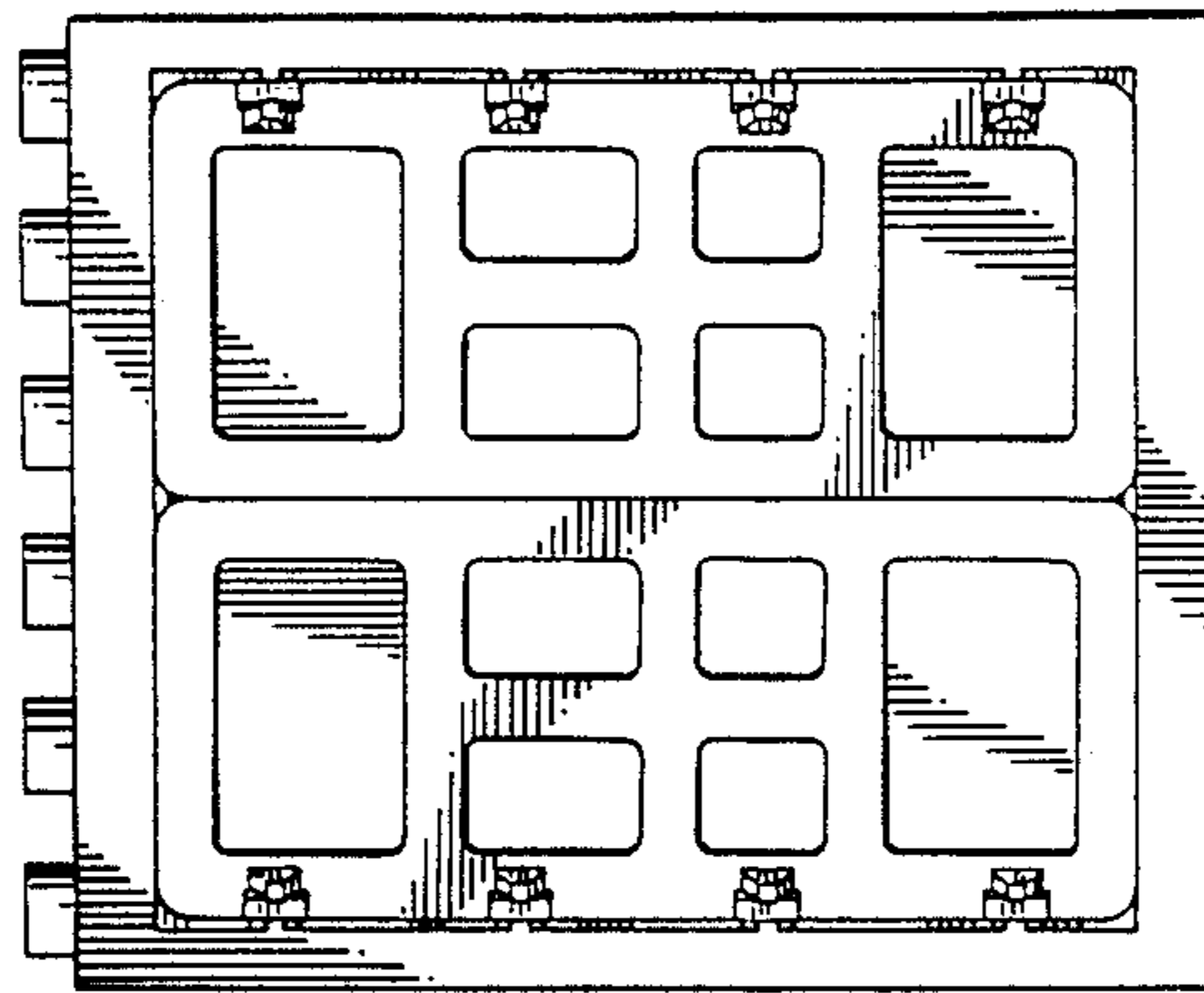


FIG. 10

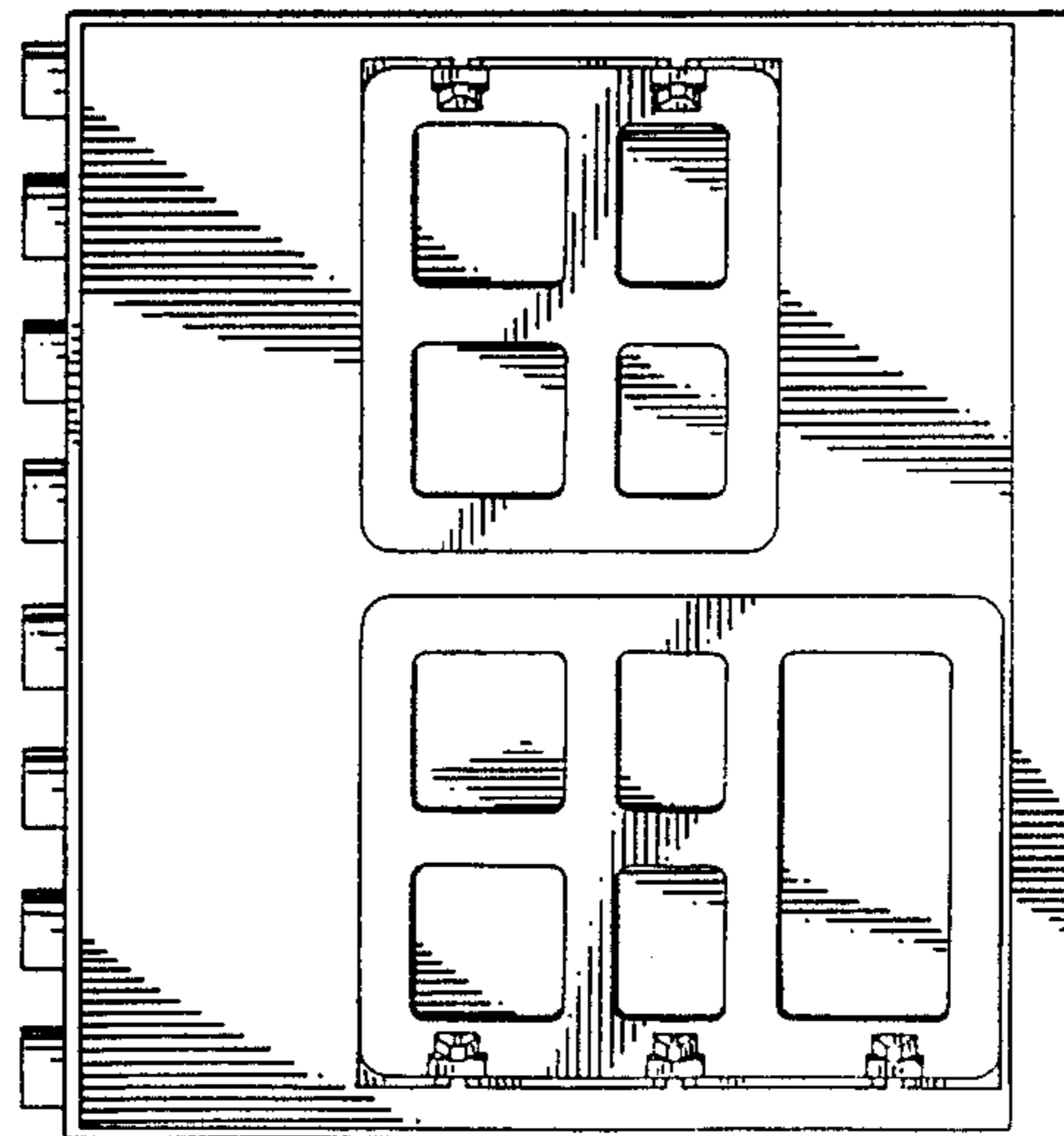


FIG. 9

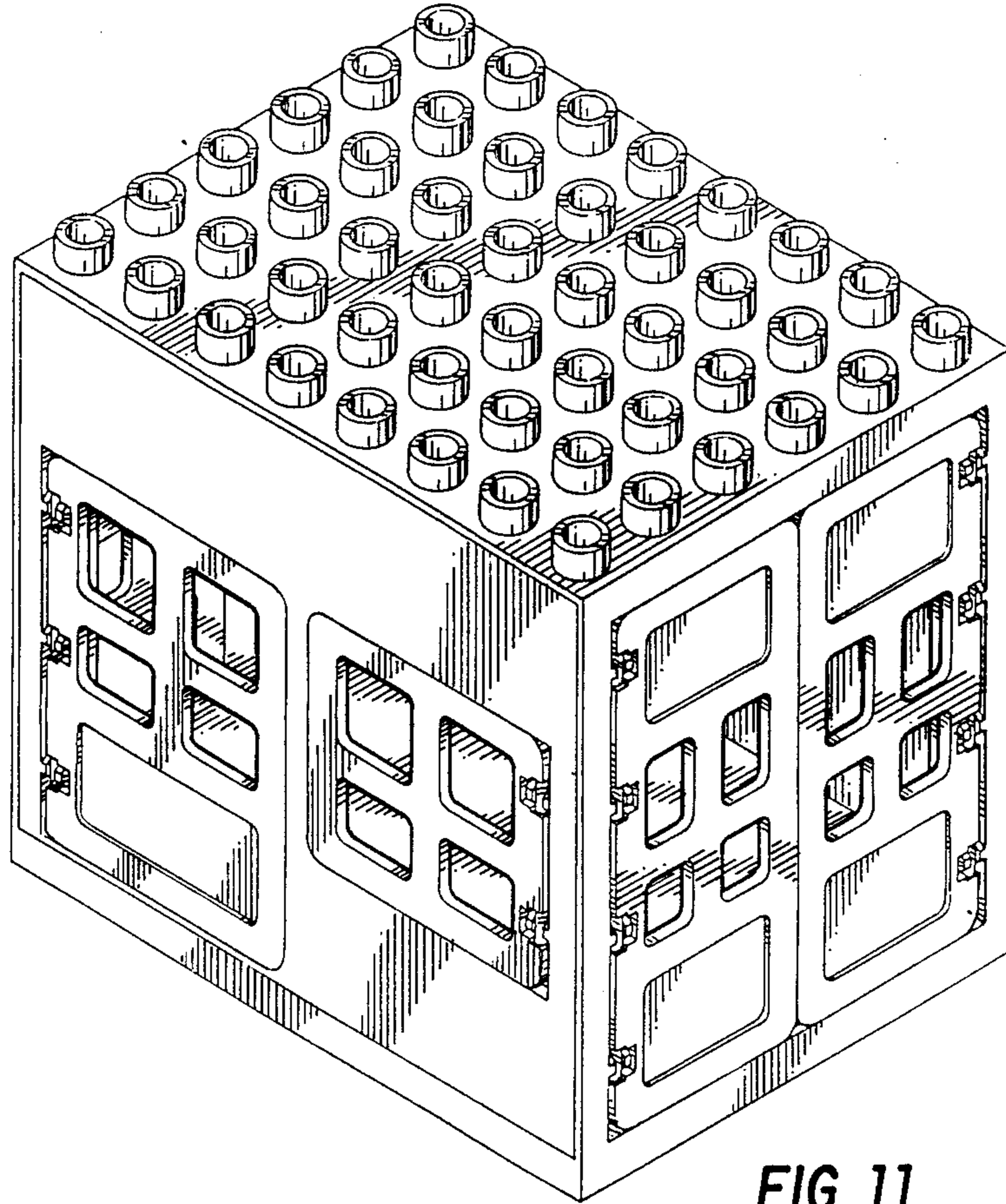


FIG. 11