

[54] WATER GAME HOUSING

[75] Inventor: Makiko Watanabe, Tokyo, Japan

[73] Assignee: Tomy Company, Ltd., Tokyo, Japan

[**] Term: 14 Years

[21] Appl. No.: 141,903

[22] Filed: Jan. 11, 1988

[30] Foreign Application Priority Data

Jul. 28, 1987 [JP] Japan 62-30586

[52] U.S. Cl. D21/12

[58] Field of Search D21/12; 273/1 L

[56] References Cited
PUBLICATIONS

Tomy 1987 Cat., p. 42, bottom, items No. 7089, "Waterfuls Follies".

Primary Examiner—Melvin B. Feifer
Attorney, Agent, or Firm—Staas & Halsey

[57] CLAIM

The ornamental design for a water game housing, as shown and described.

DESCRIPTION

FIG. 1 is a front elevational view of a water game housing showing my new design;

FIG. 2 is a rear elevational view thereof;

FIG. 3 is a right-side elevational view thereof;

FIG. 4 is a left-side elevational view thereof;

FIG. 5 is a top plan view thereof; and

FIG. 6 is a bottom plan view.

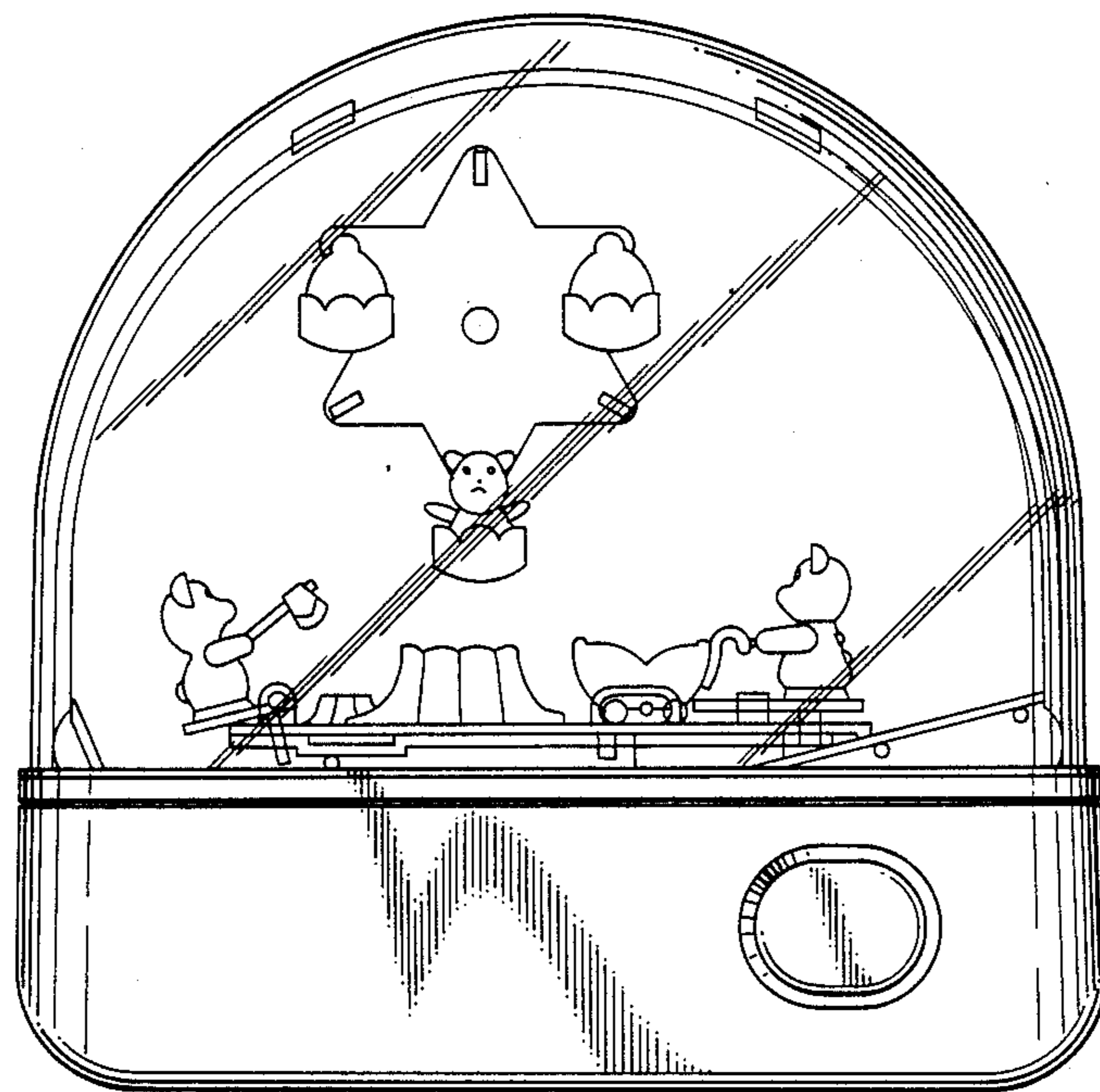


FIG. 1

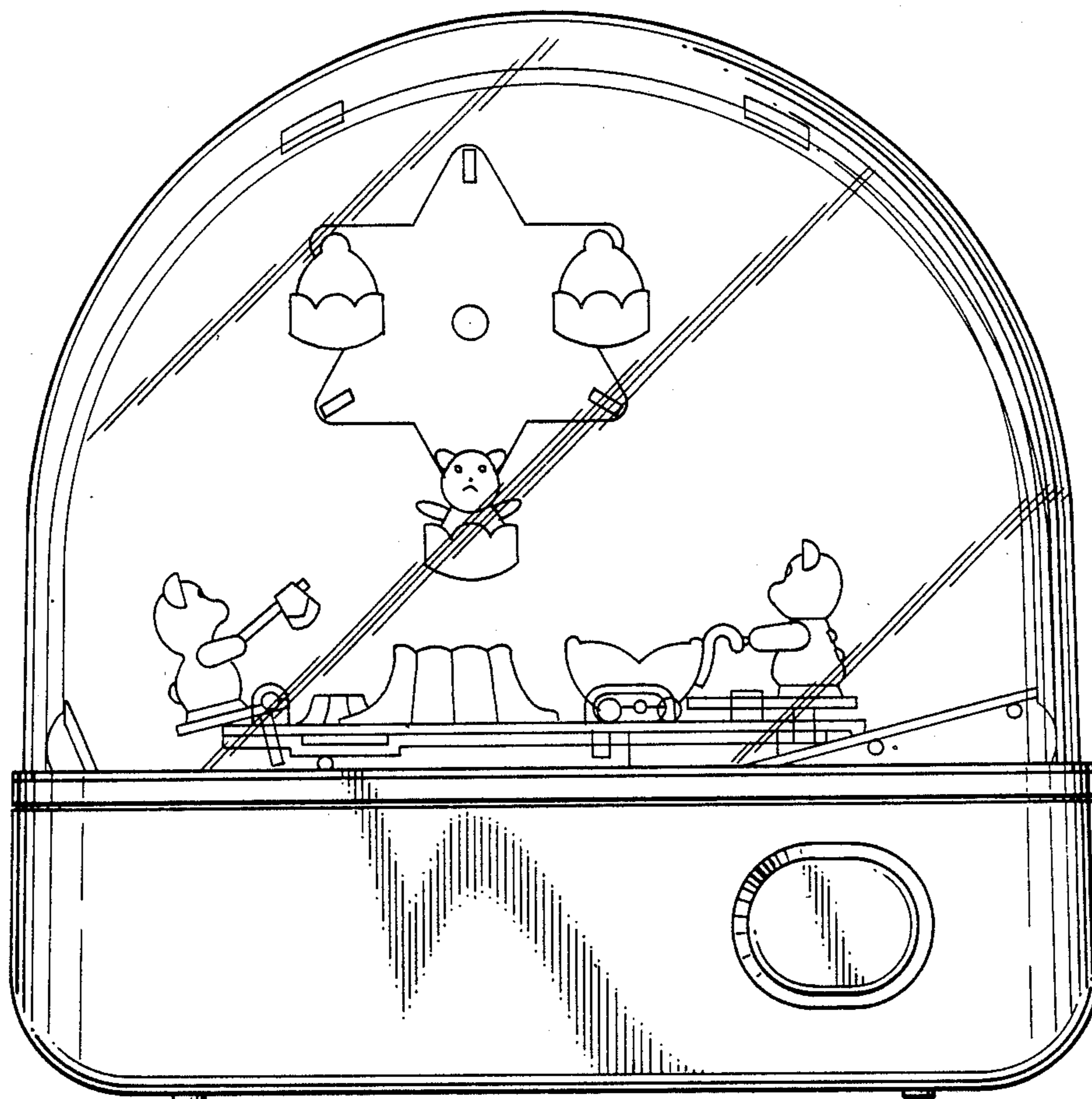


FIG. 2

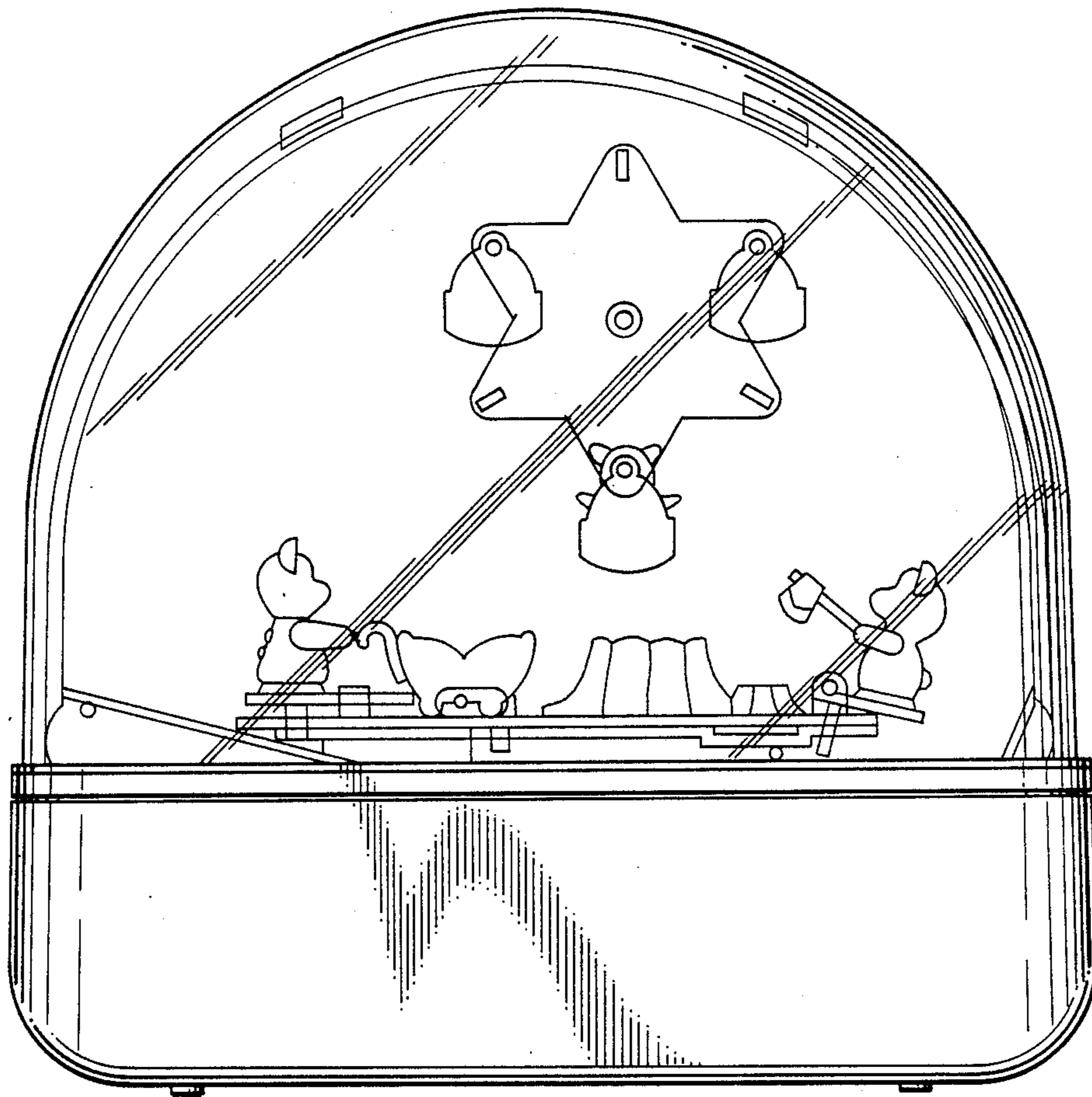


FIG. 3

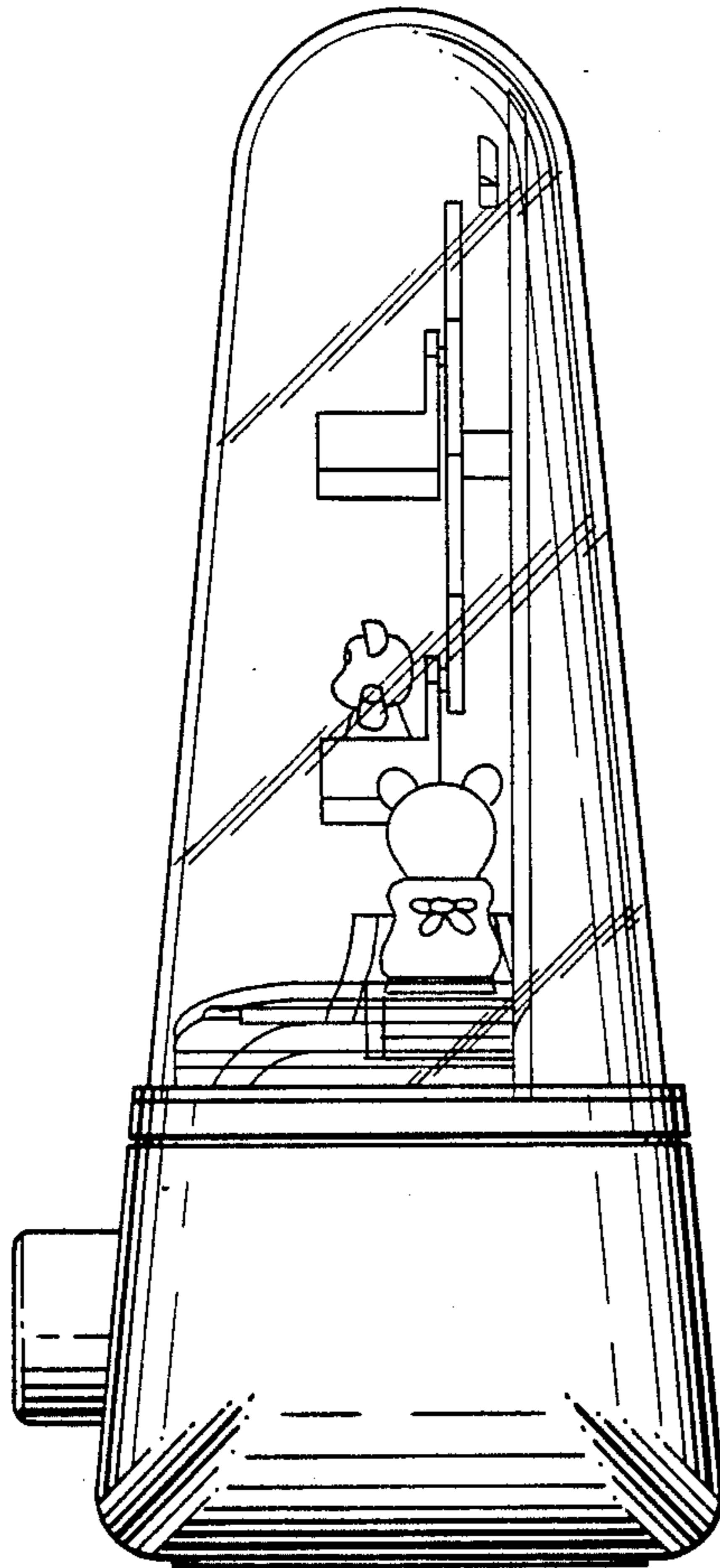


FIG. 4

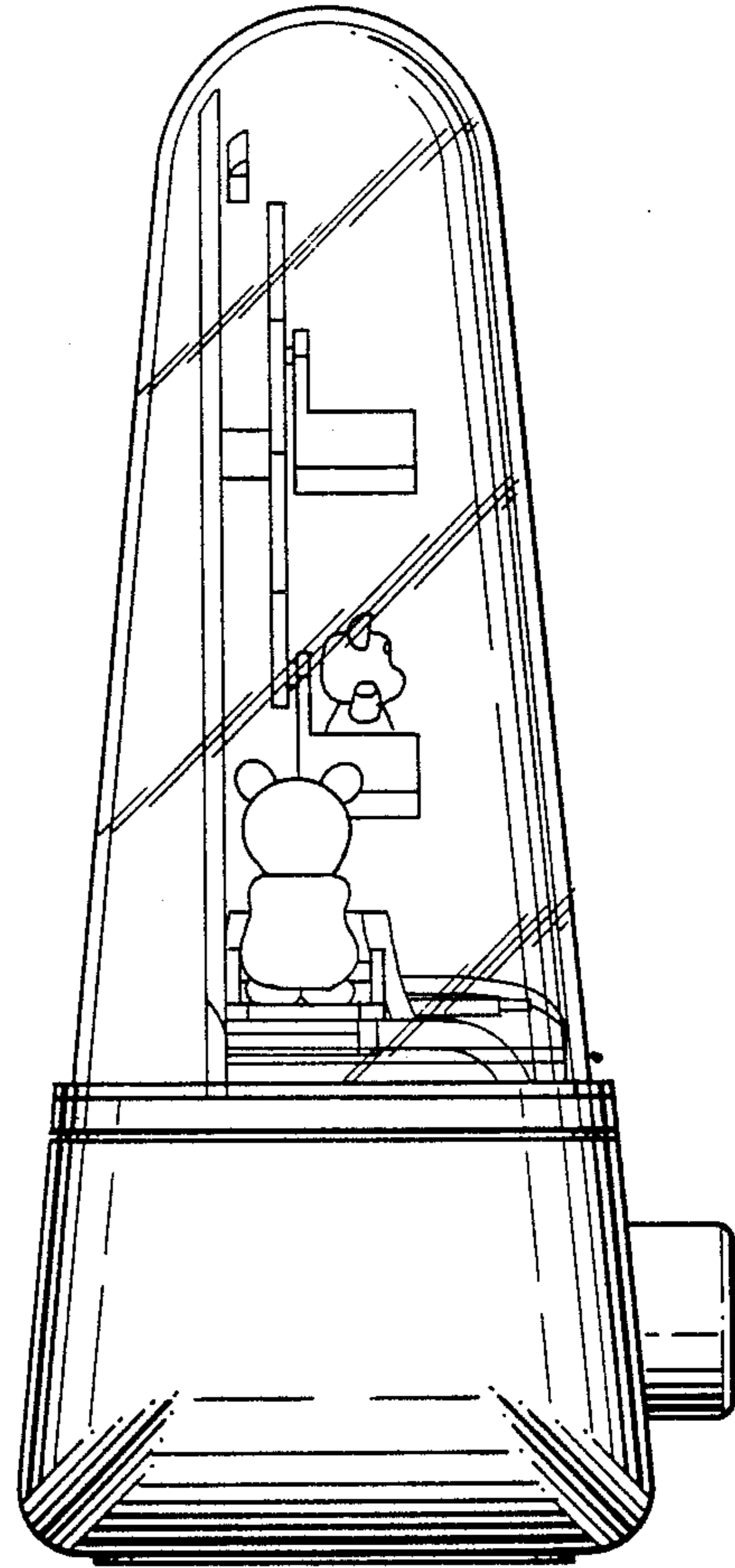


FIG. 5

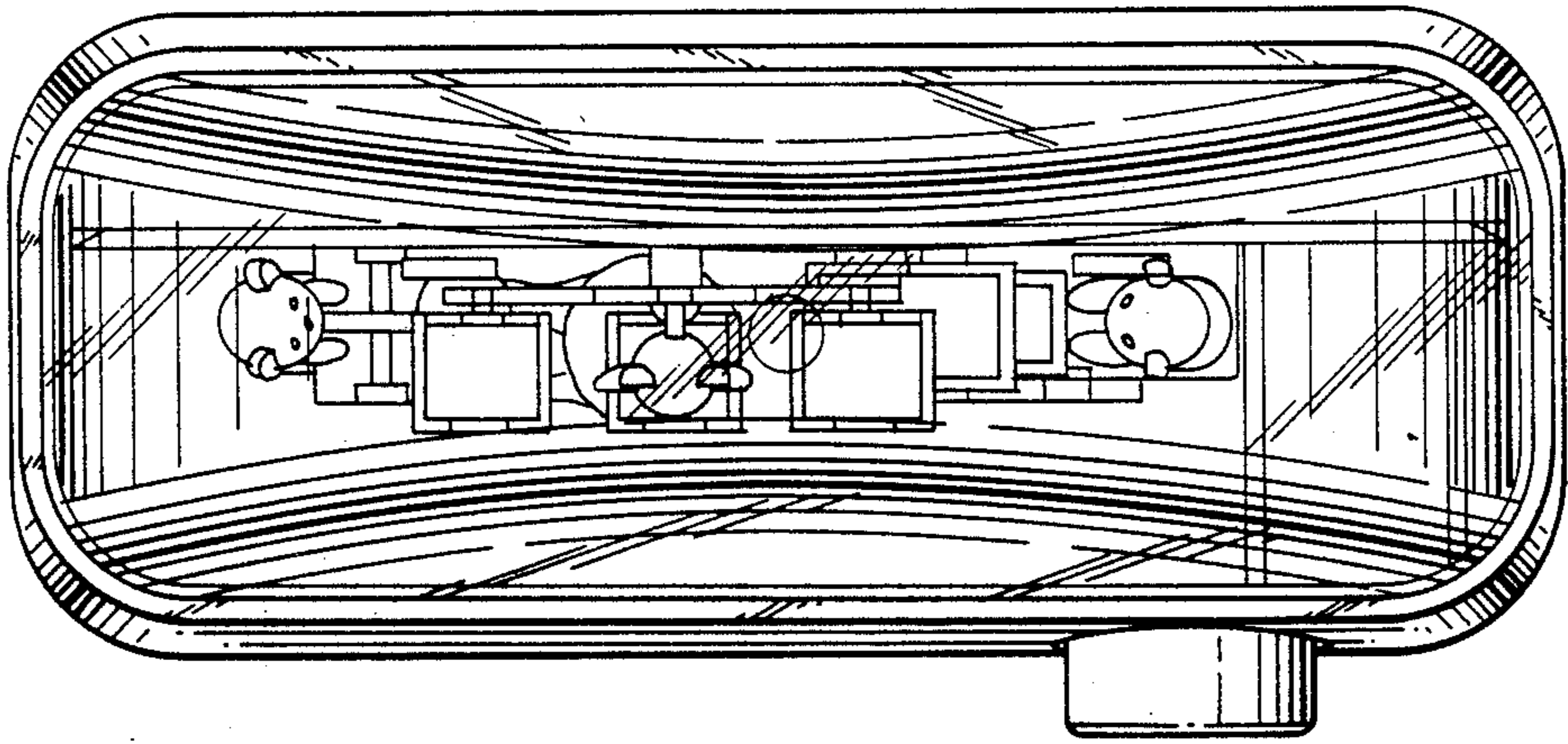


FIG. 6

