

[54] **WATER GAME HOUSING**

[75] **Inventor: Mitsunori Noshiro, Tokyo, Japan**

[73] **Assignee: Tomy Company, Ltd., Tokyo, Japan**

[**] **Term: 14 Years**

[21] **Appl. No.: 141,886**

[22] **Filed: Jan. 11, 1988**

[30] **Foreign Application Priority Data**

Jul. 20, 1987 [JP] Japan 62-29379
[52] **U.S. Cl. D21/12**
[58] **Field of Search D21/12; 273/1 L**

[56]

**References Cited
PUBLICATIONS**

Tomy 1987 Cat., p. 42, center, Items No. 7017, "Wee Waterfuls".

Primary Examiner—Melvin B. Feifer
Attorney, Agent, or Firm—Staas & Halsey

[57]

CLAIM

The ornamental design for a water game housing, as shown and described.

DESCRIPTION

FIG. 1 is a front elevational view of a water game housing showing my new design;
FIG. 2 is rear elevational view thereof;
FIG. 3 is a right-side elevational view thereof;
FIG. 4 is a left-side elevational view thereof;
FIG. 5 is a top plan view thereof; and
FIG. 6 is a bottom plan view.

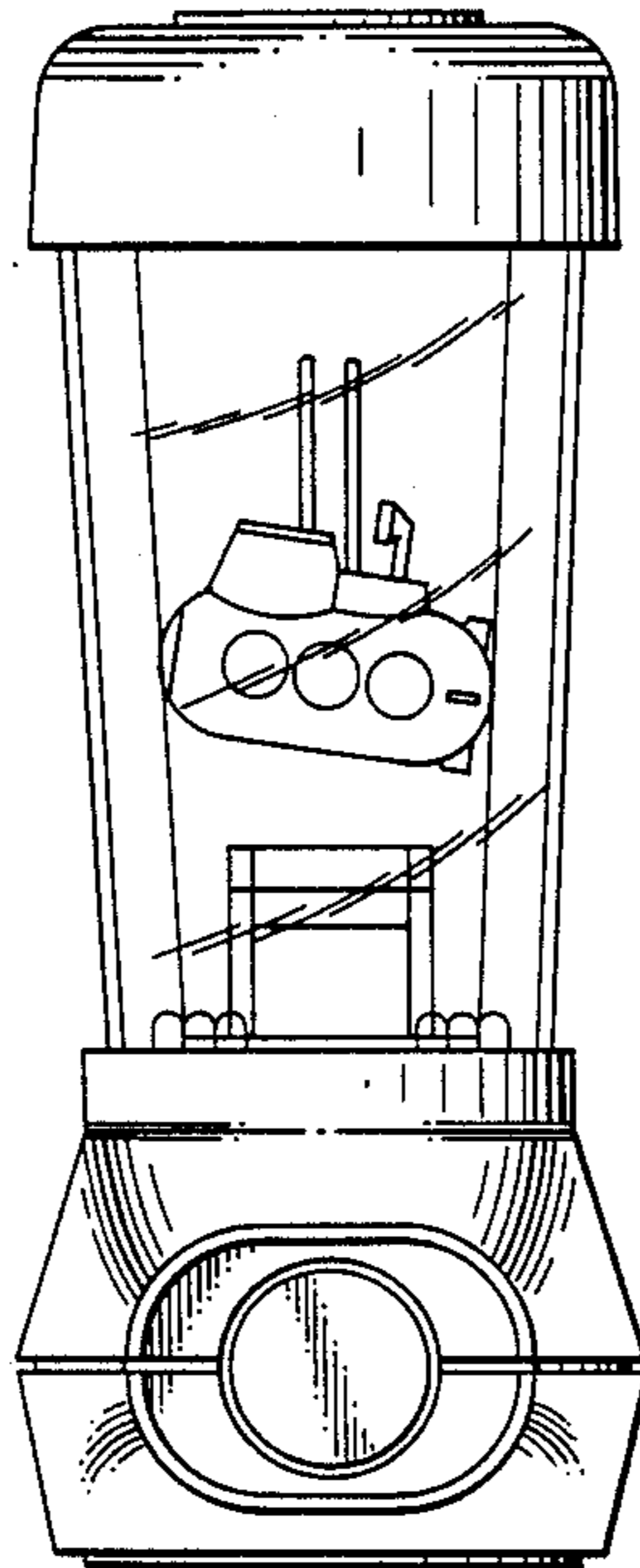


FIG. 1

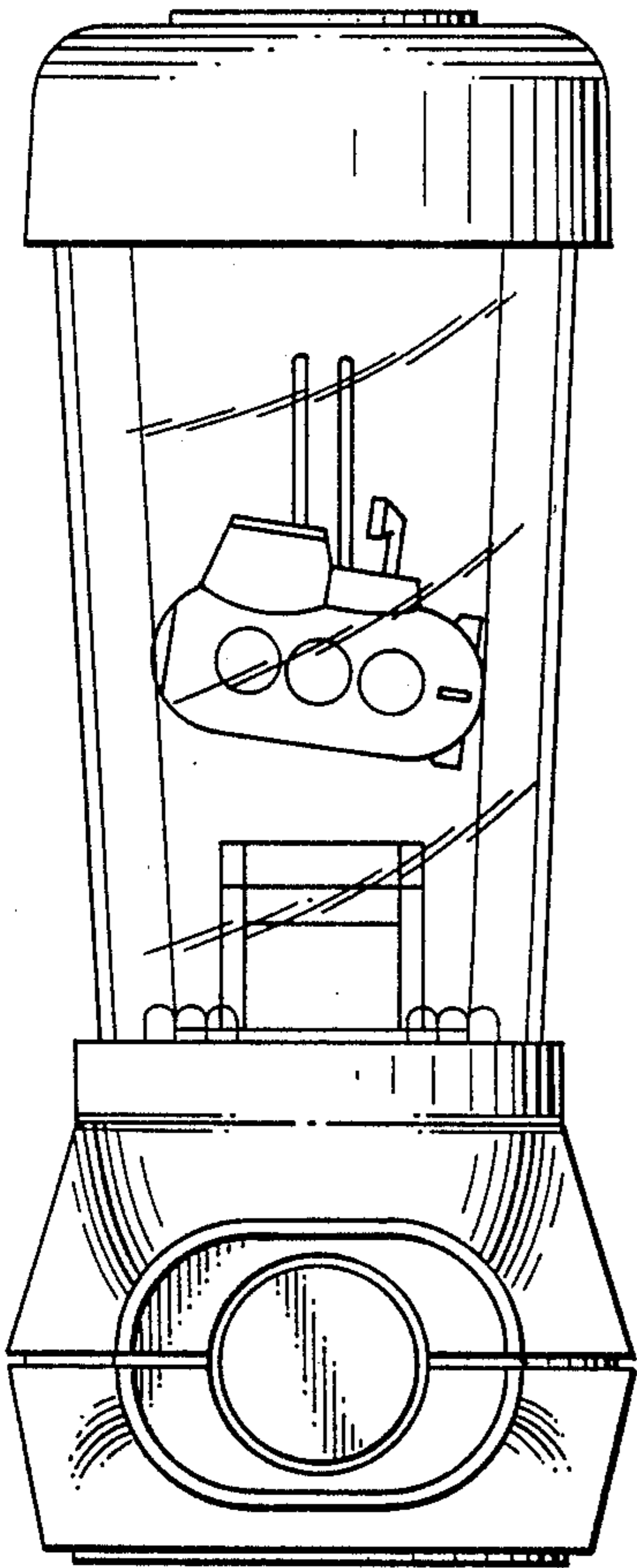


FIG. 2

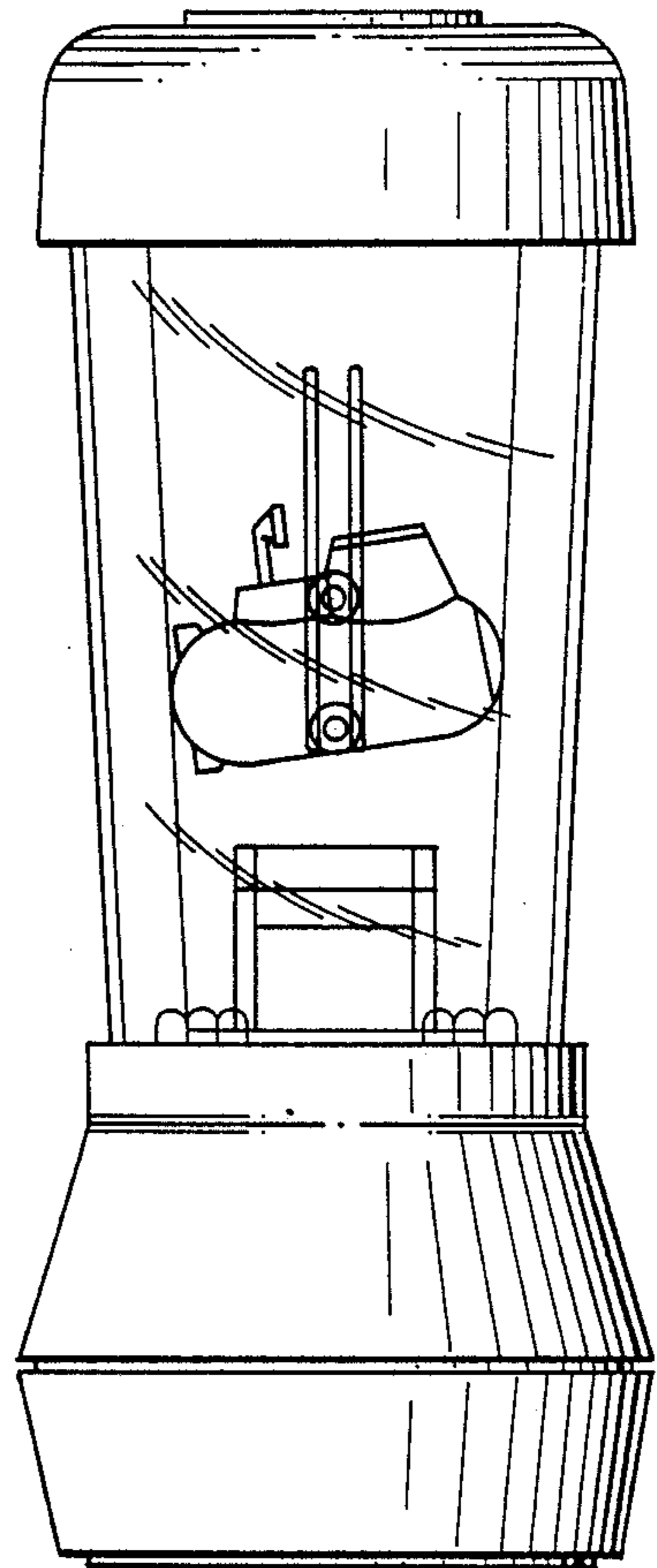


FIG. 5

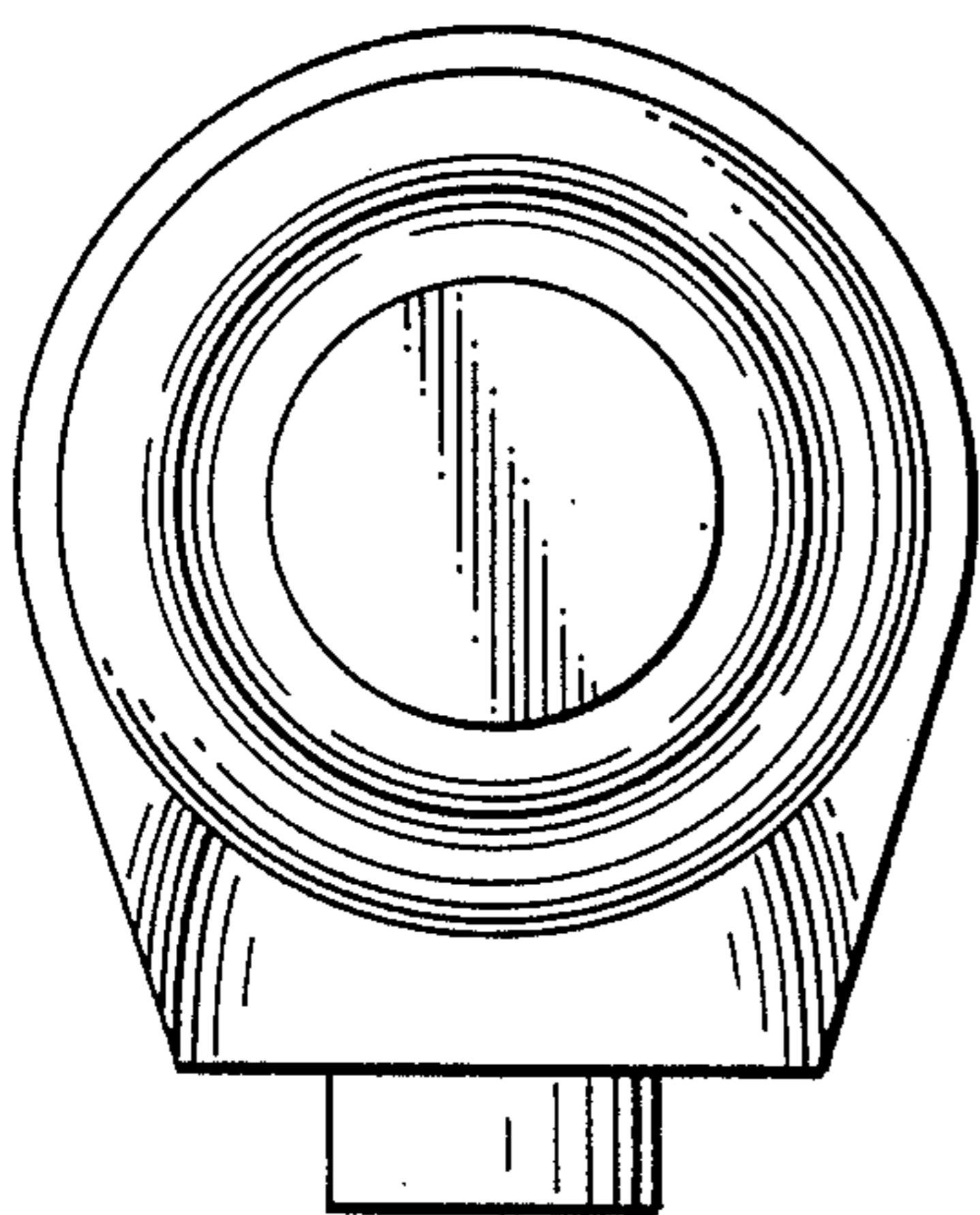


FIG. 6

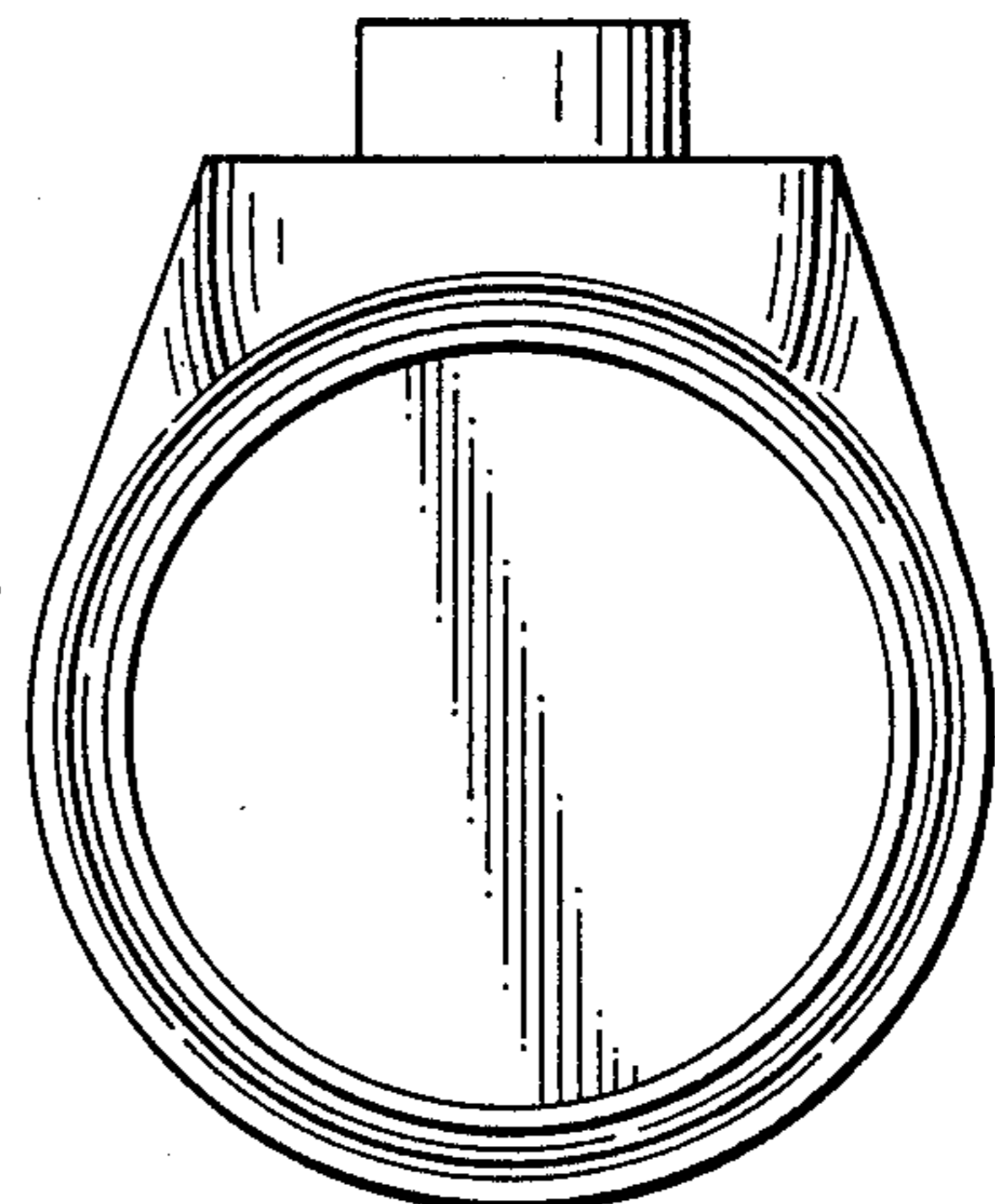


FIG. 3

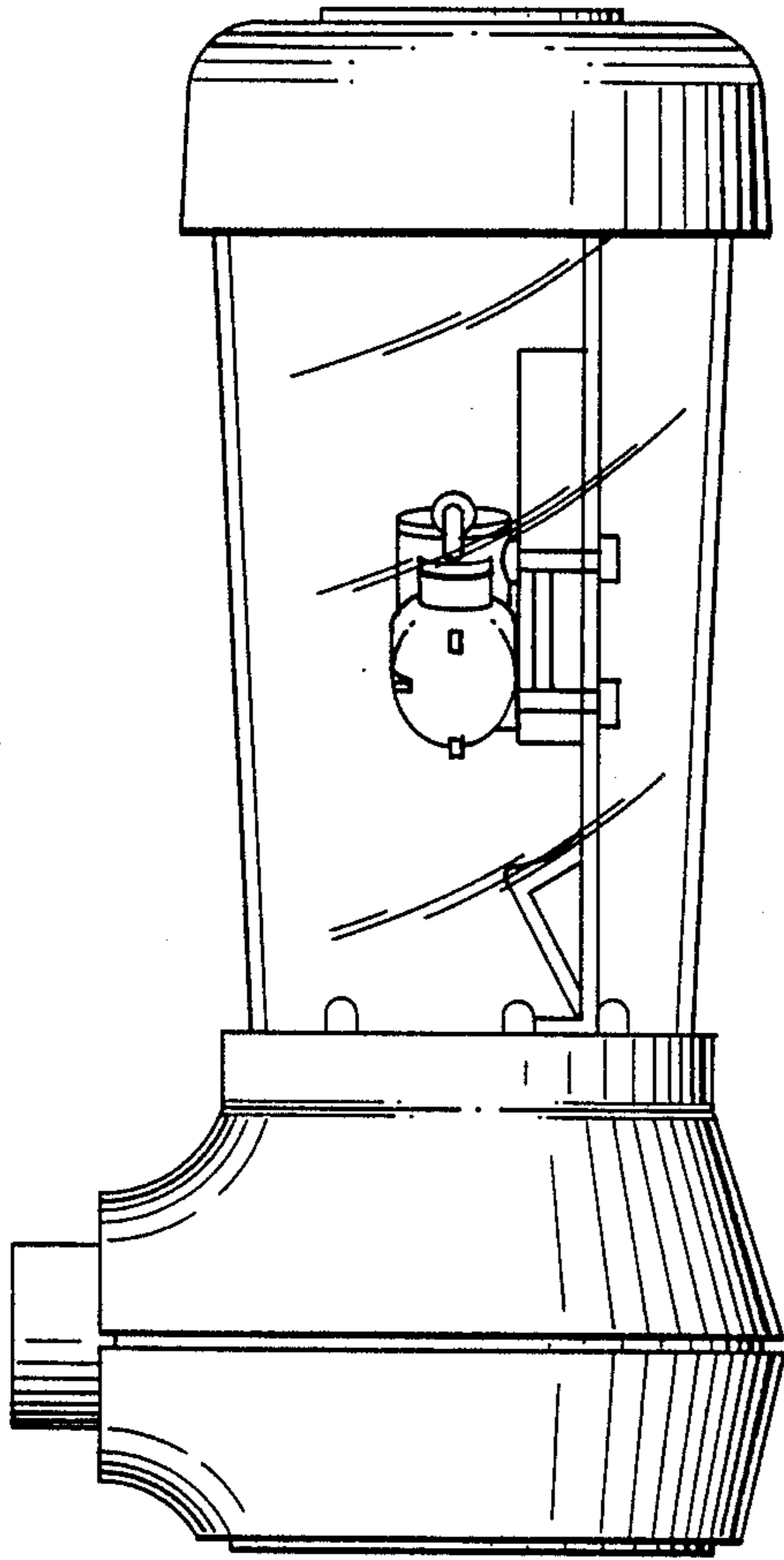


FIG. 4

