

[54] CARTRIDGE FOR AN ELECTROPHOTOGRAPHIC PRINTER

D. 298,333 11/1988 Masaki et al. D18/40
4,816,877 3/1989 Keen 355/260

[75] Inventors: James A. Craft, Lexington; William D. Freeman, Harrodsburg; James J. Molloy, Lexington; David T. Shadwick, Lexington; Thomas G. Twardeck, Lexington; James P. Wang, Lexington, all of Ky.

FOREIGN PATENT DOCUMENTS

0276192 7/1988 European Pat. Off. 355/245
0249061 11/1986 Japan 355/260
0104070 5/1988 Japan 355/260

[73] Assignee: International Business Machines Corporation, Armonk, N.Y.

Primary Examiner—Nelson C. Holtje
Assistant Examiner—Caron D. Veynar
Attorney, Agent, or Firm—John J. McArdle, Jr.

[**] Term: 14 Years

[57] CLAIM

The ornamental design for a cartridge for an electro-photographic printer, as shown and described.

[21] Appl. No.: 306,435

DESCRIPTION

[22] Filed: Feb. 6, 1989

[52] U.S. Cl. D18/40

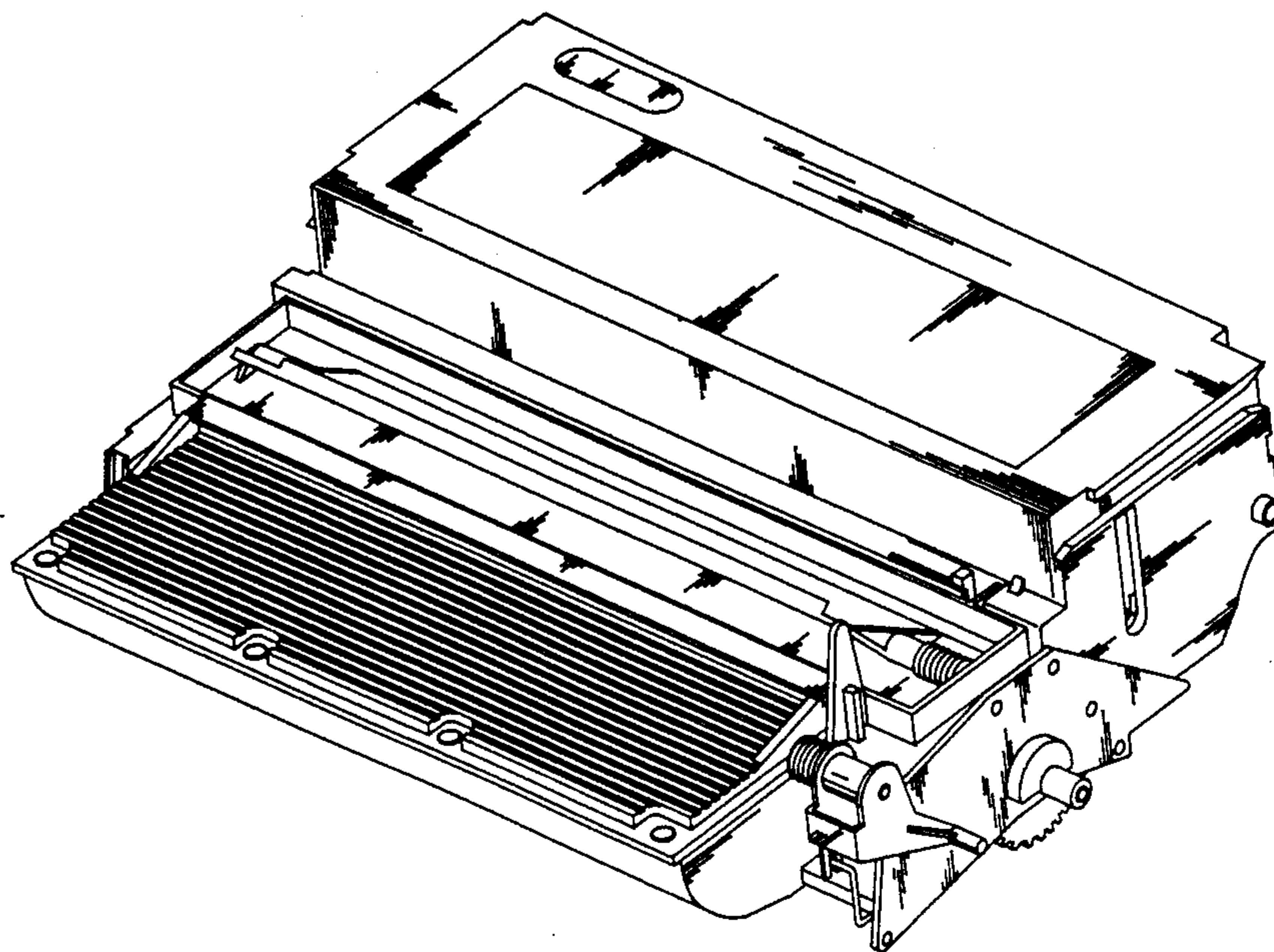
[58] Field of Search D18/40, 43; 355/245, 355/260

FIG. 1 is a top plan view of a cartridge for an electro-photographic printer showing our new design; FIG. 2 is a front elevational view thereof; FIG. 3 is a rear elevational view thereof; FIG. 4 is a left side elevational view thereof; FIG. 5 is a right side elevational view thereof; FIG. 6 is a bottom plan view thereof; and FIG. 7 is a right front perspective view thereof.

[56] References Cited

U.S. PATENT DOCUMENTS

D. 276,916 12/1984 Masaki D18/40



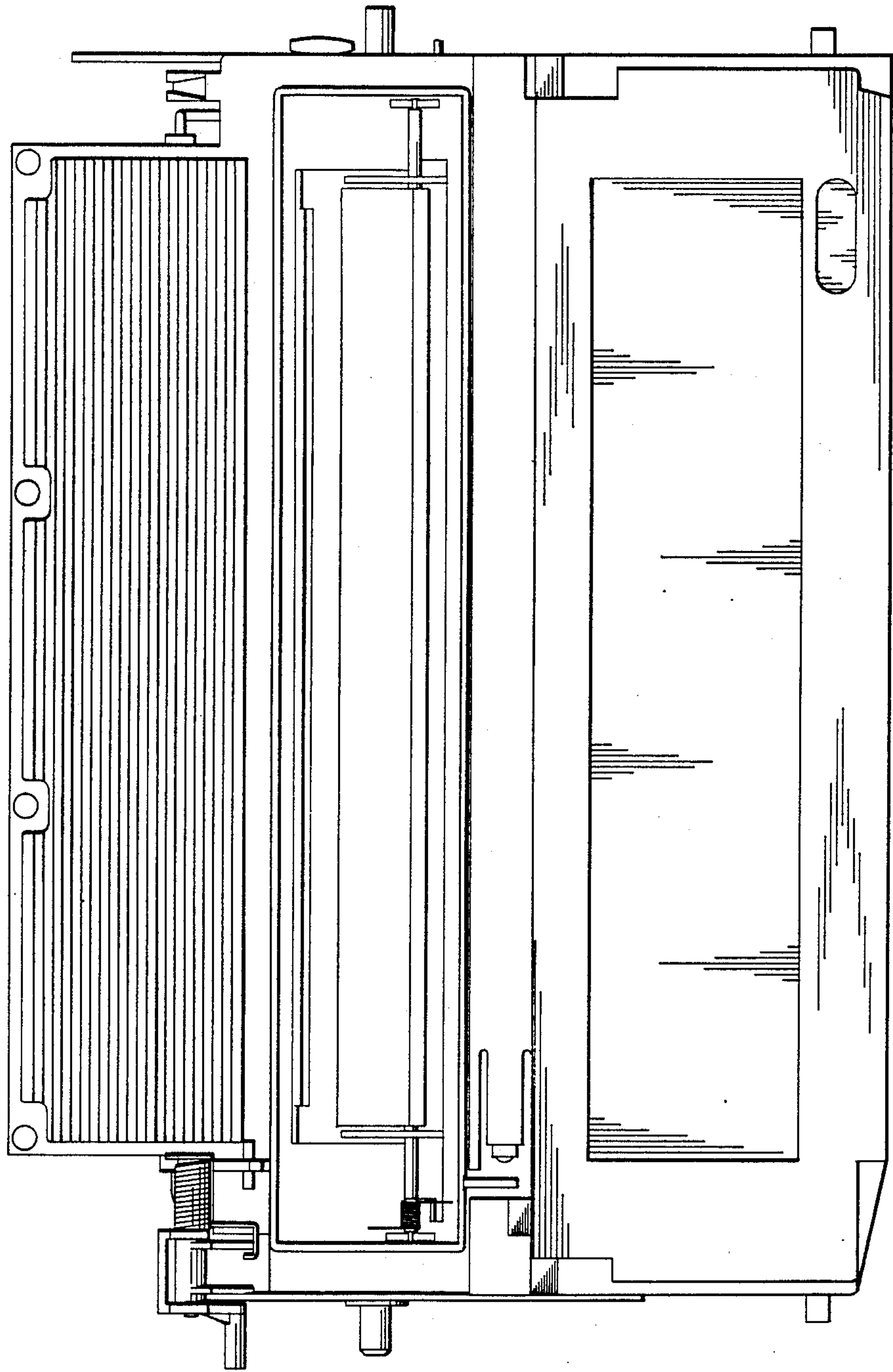


FIG. 1

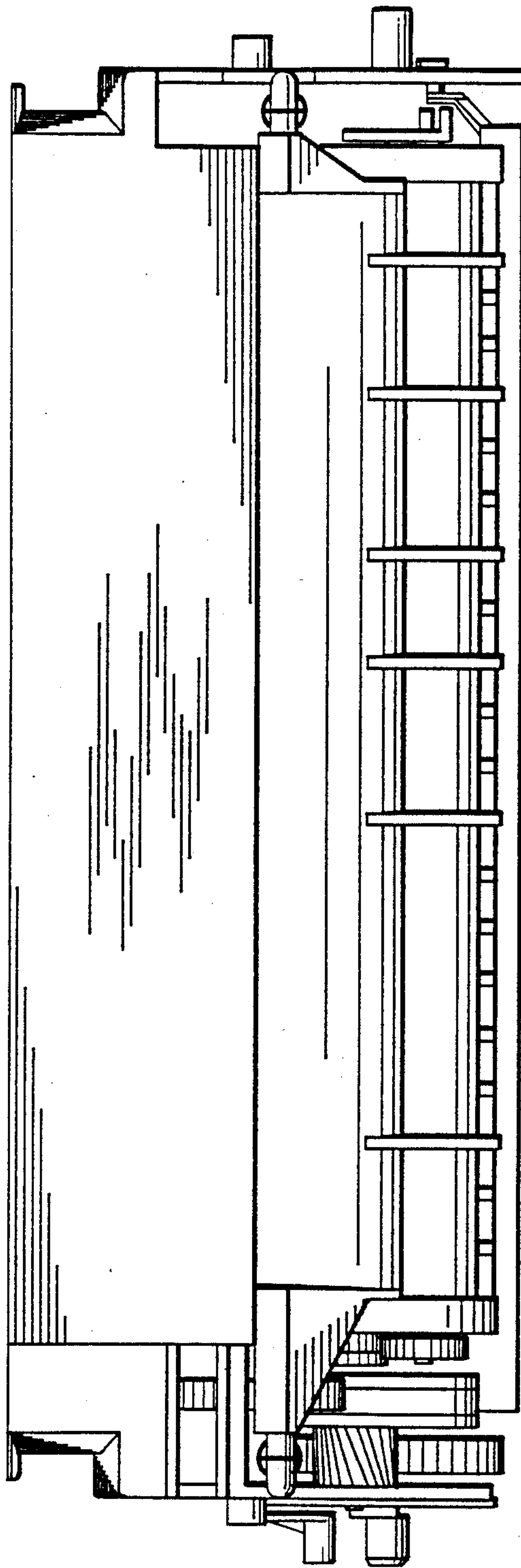


FIG. 2

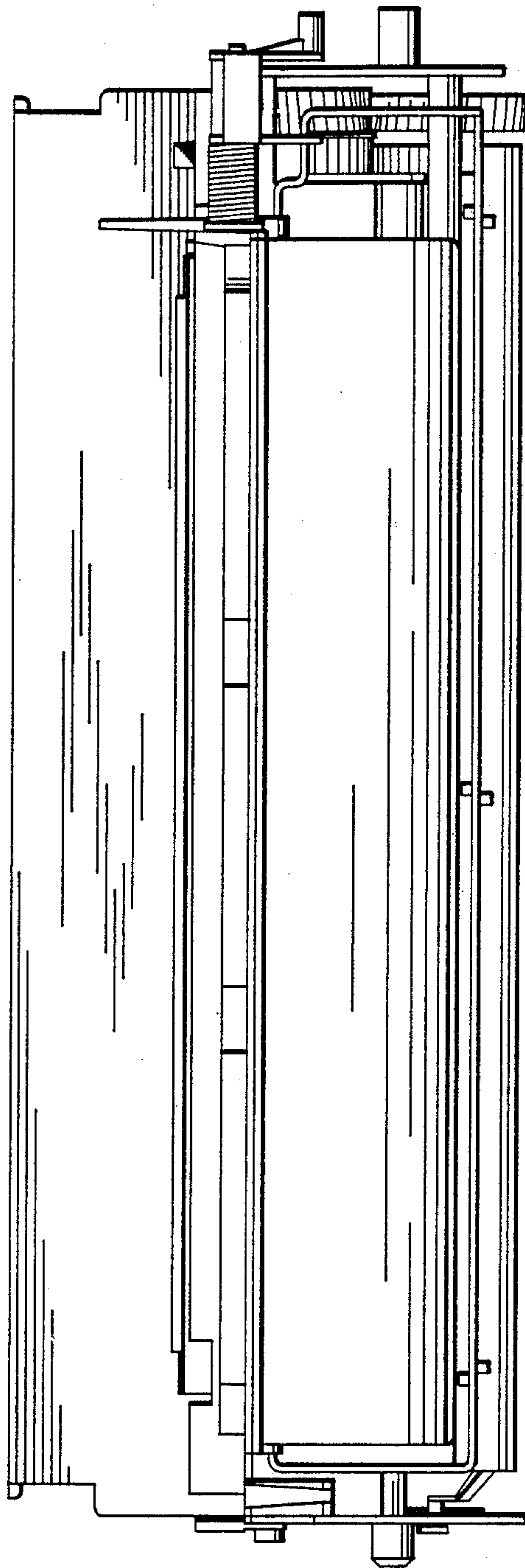


FIG. 3

FIG. 4

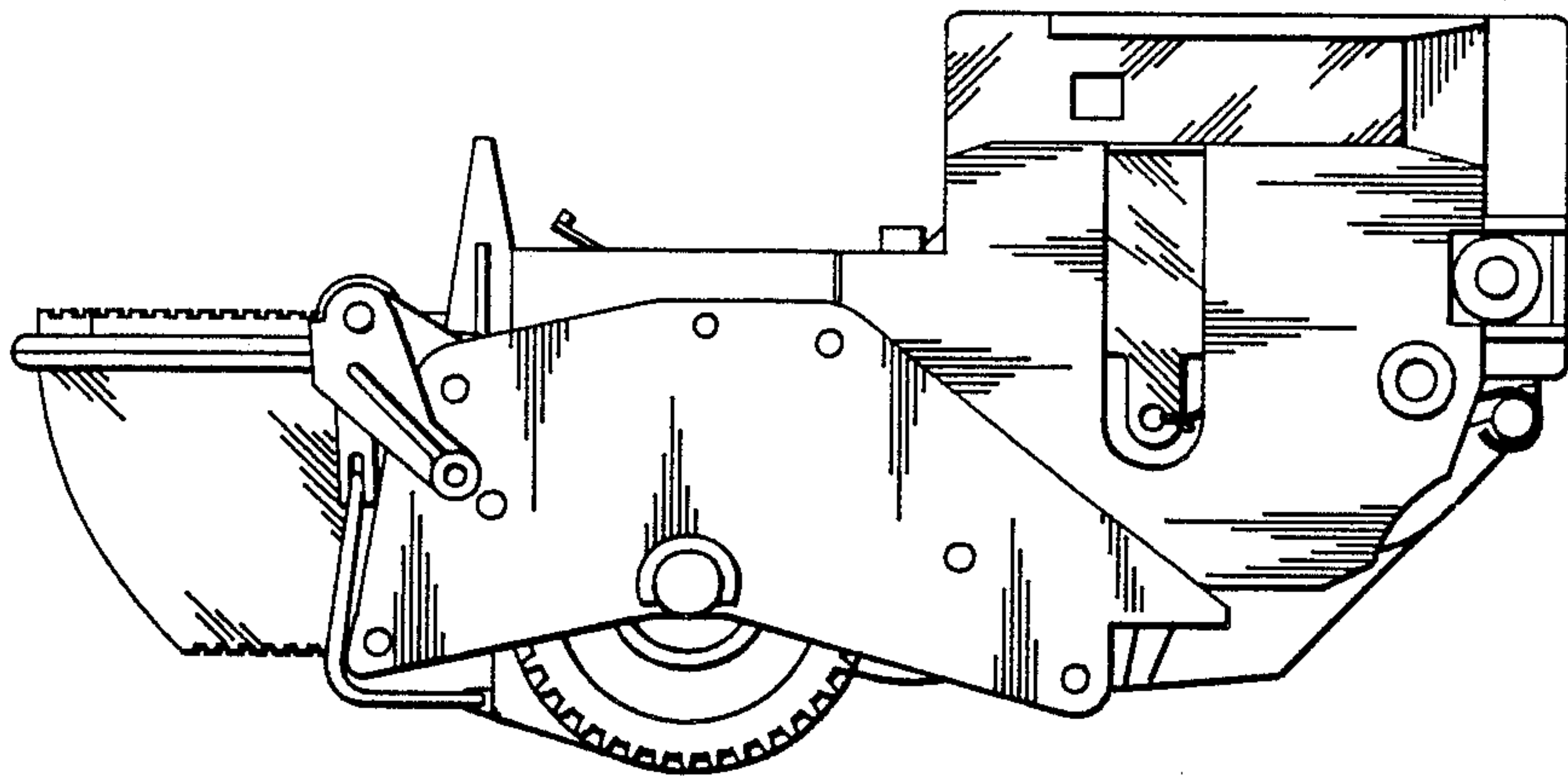
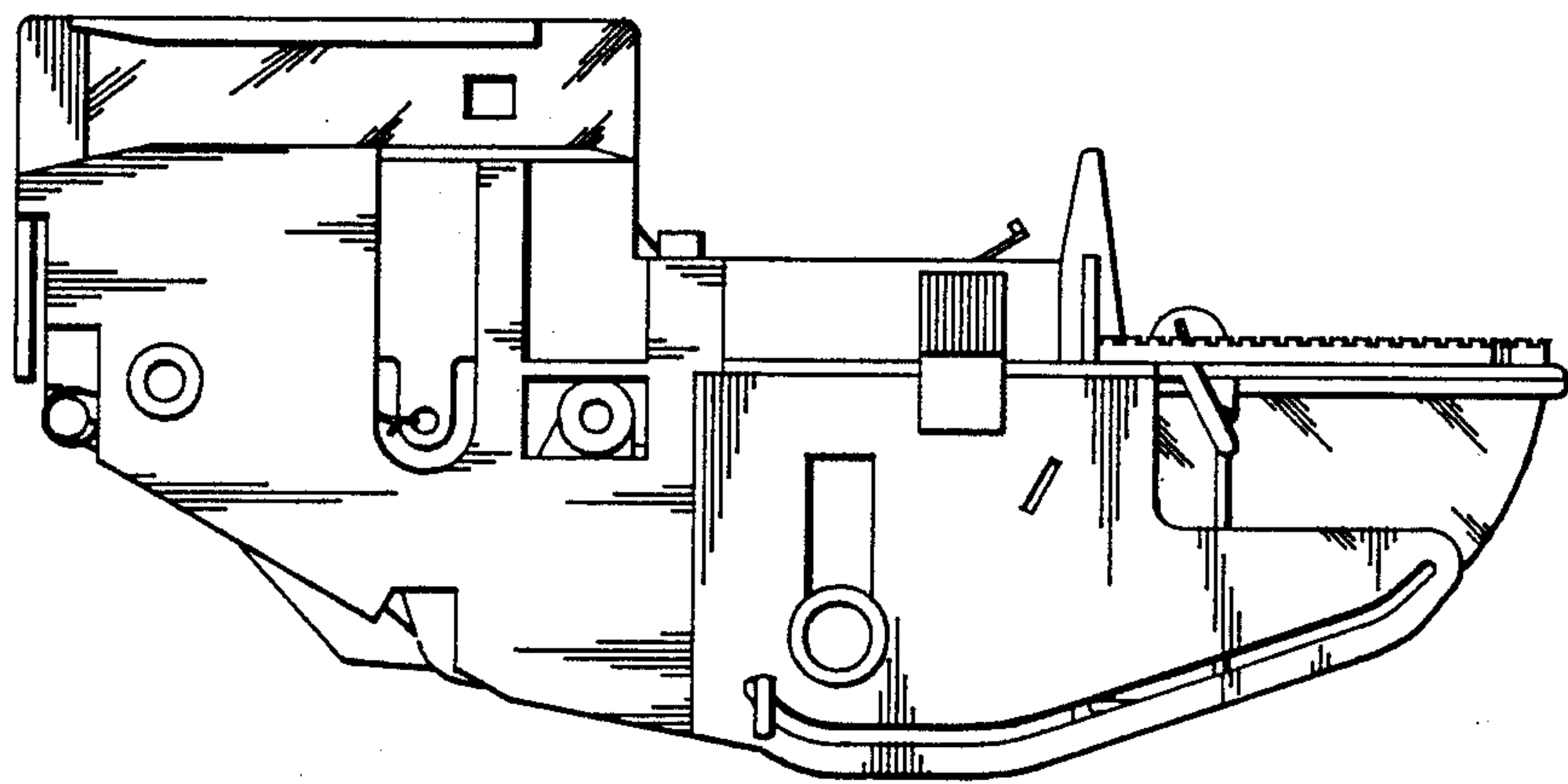


FIG. 5



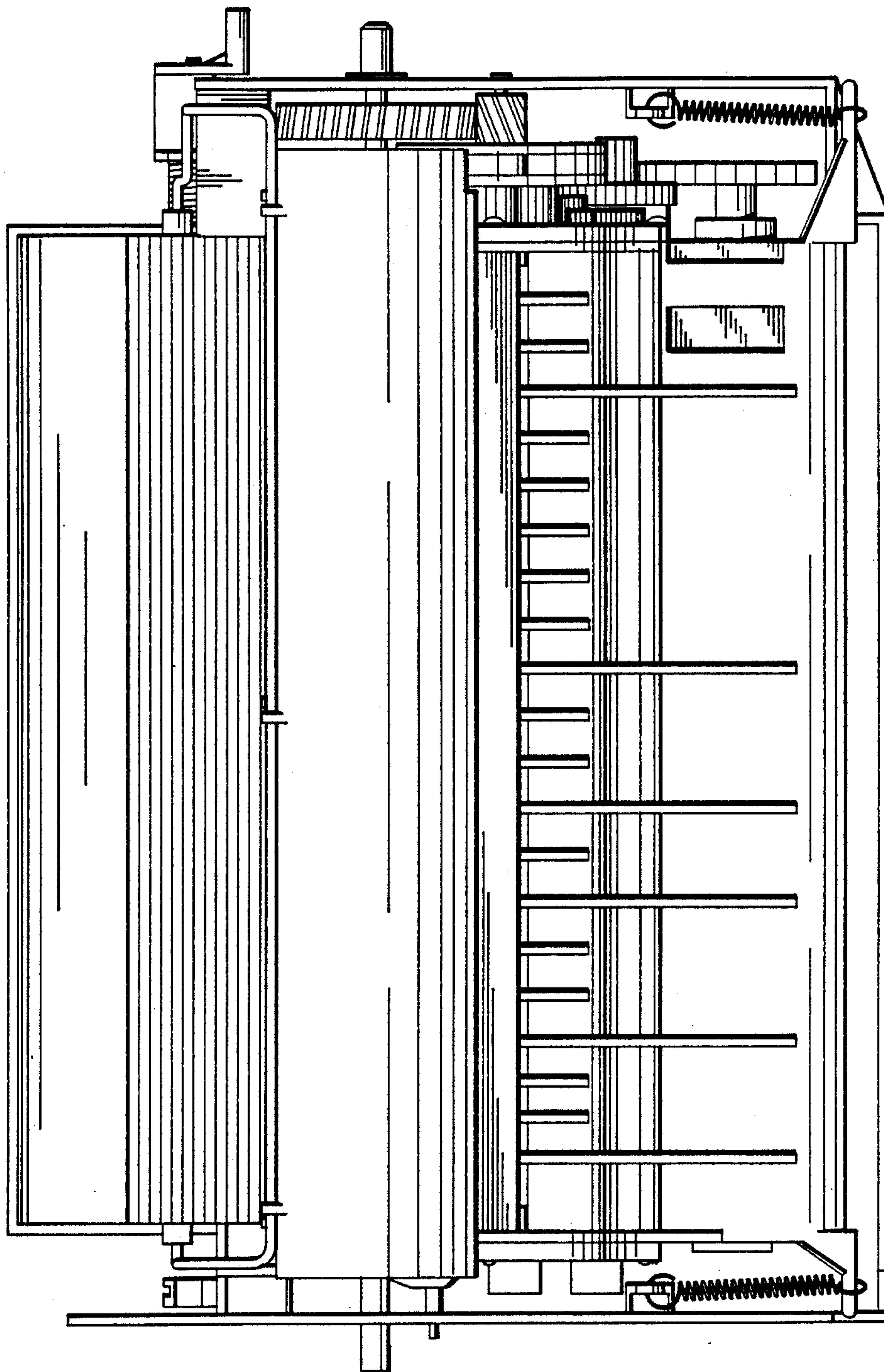


FIG. 6

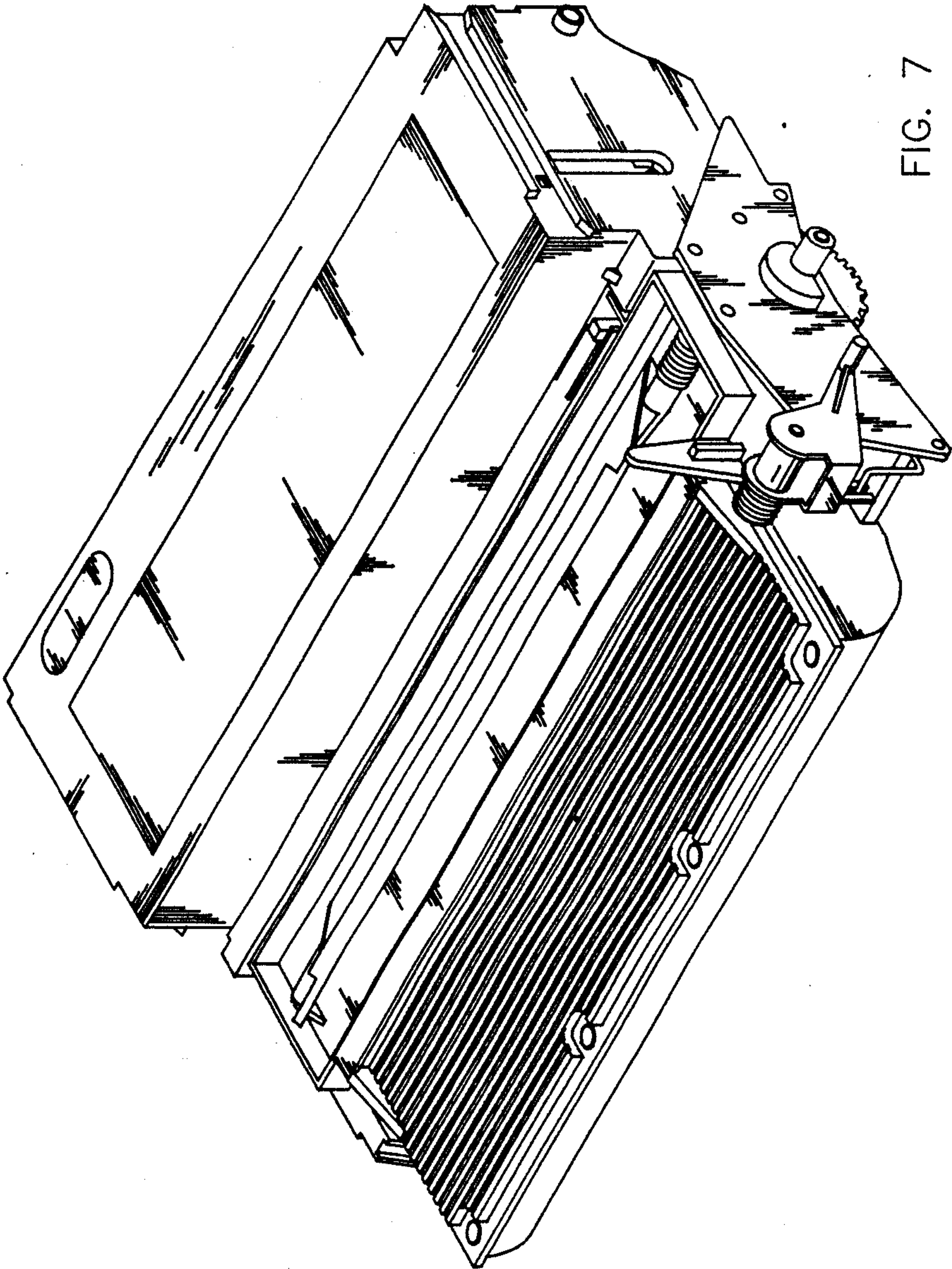


FIG. 7