

[54] WORD PROCESSOR

[75] Inventor: Michifumi Ishigami, Nagoya, Japan

[73] Assignee: Brother Kogyo Kabushiki Kaisha, Nagoya, Japan

[\*\*] Term: 14 Years

[21] Appl. No.: 52,351

[22] Filed: May 19, 1987

[30] Foreign Application Priority Data

Dec. 5, 1986 [JP] Japan ..... 61-48405

[52] U.S. Cl. .... D18/1

[58] Field of Search ..... D18/1, 2, 11; D14/100, D14/106, 113; 235/145 A, 145 R; 312/7.2, 208; 340/700, 706, 711, 712, 720; 341/20-23; 358/254; 364/708, 709.04; 400/83, 84, 110, 472, 484; 434/232, 307-309, 314, 322, 324, 335

[56] References Cited

U.S. PATENT DOCUMENTS

D. 272,739	2/1984	Ohie .....	D14/106
D. 279,475	7/1985	Papajohn .....	D14/106
D. 293,112	12/1987	George et al. ....	D14/106
4,326,193	4/1982	Markley et al. ....	312/7.2 X
4,617,640	10/1986	Kishi et al. ....	364/708
4,669,053	5/1987	Krenz .....	D14/106 X
4,680,674	7/1987	Moore .....	364/708 X
4,773,783	9/1988	Dickie .....	400/472 X

OTHER PUBLICATIONS

*Industrial Design*; p. 66; May/June 1984; M21 Personal Computer; upper left.

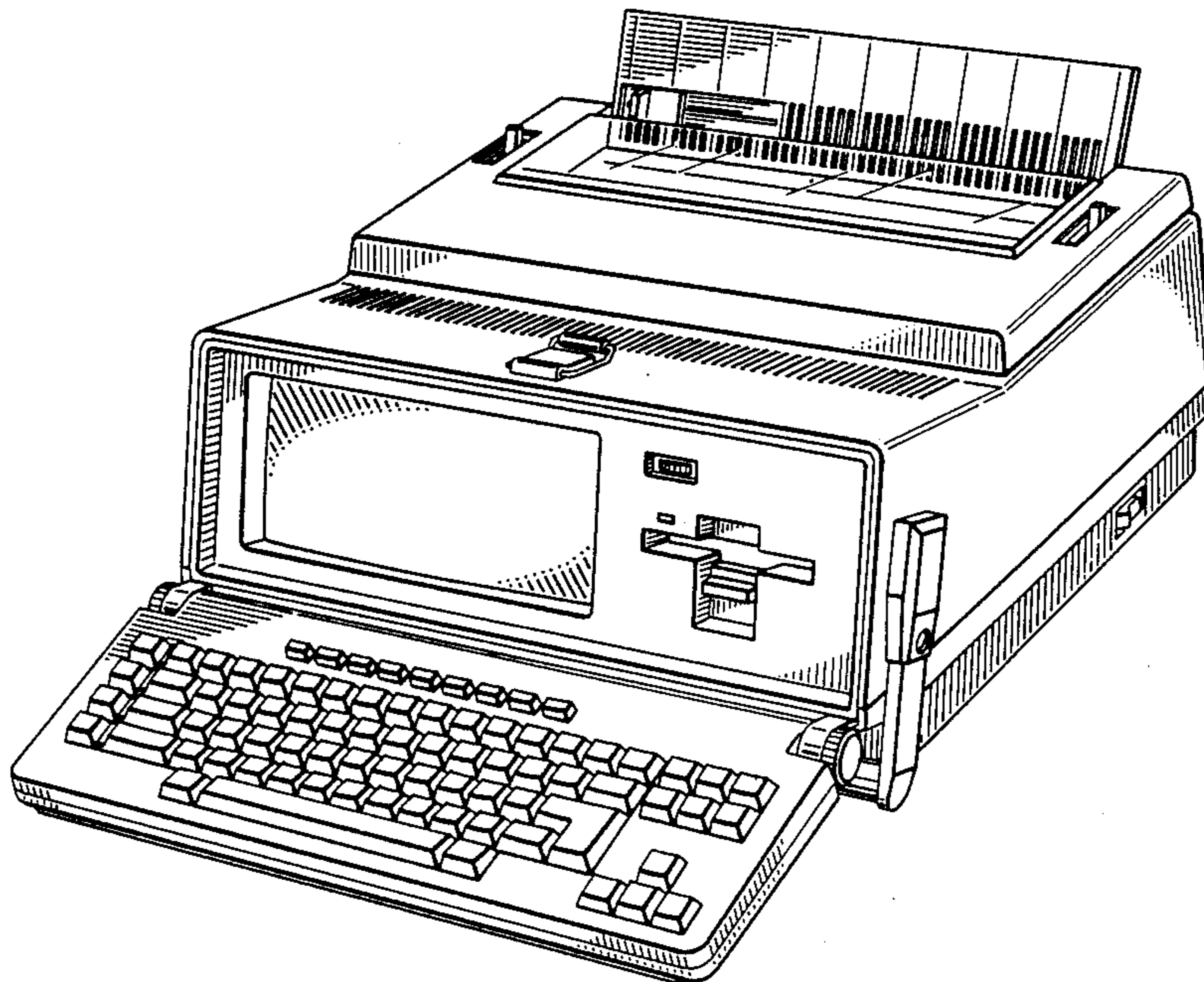
*Primary Examiner*—Nelson C. Holtje  
*Assistant Examiner*—Caron D. Veynar  
*Attorney, Agent, or Firm*—Moonray Kojima

[57] CLAIM

The ornamental design for word processor, as shown and described.

DESCRIPTION

FIG. 1 is a front elevational view of a word processor, showing my new design;  
FIG. 2 is a rear elevational view thereof;  
FIG. 3 is a left side elevational view thereof;  
FIG. 4 is a right side elevational view thereof;  
FIG. 5 is a top plan view thereof;  
FIG. 6 is a bottom plan view thereof;  
FIG. 7 is a front, top and right side perspective view thereof with the keyboard in attached position;  
FIG. 8 is a front, top and right side perspective view thereof, with the keyboard in detached position;  
FIG. 9 is a front, top and right side perspective view thereof, with the main body inclined upward and the keyboard in detached position; and  
FIG. 10 is a bottom, right perspective view thereof, with the keyboard in the closed position.



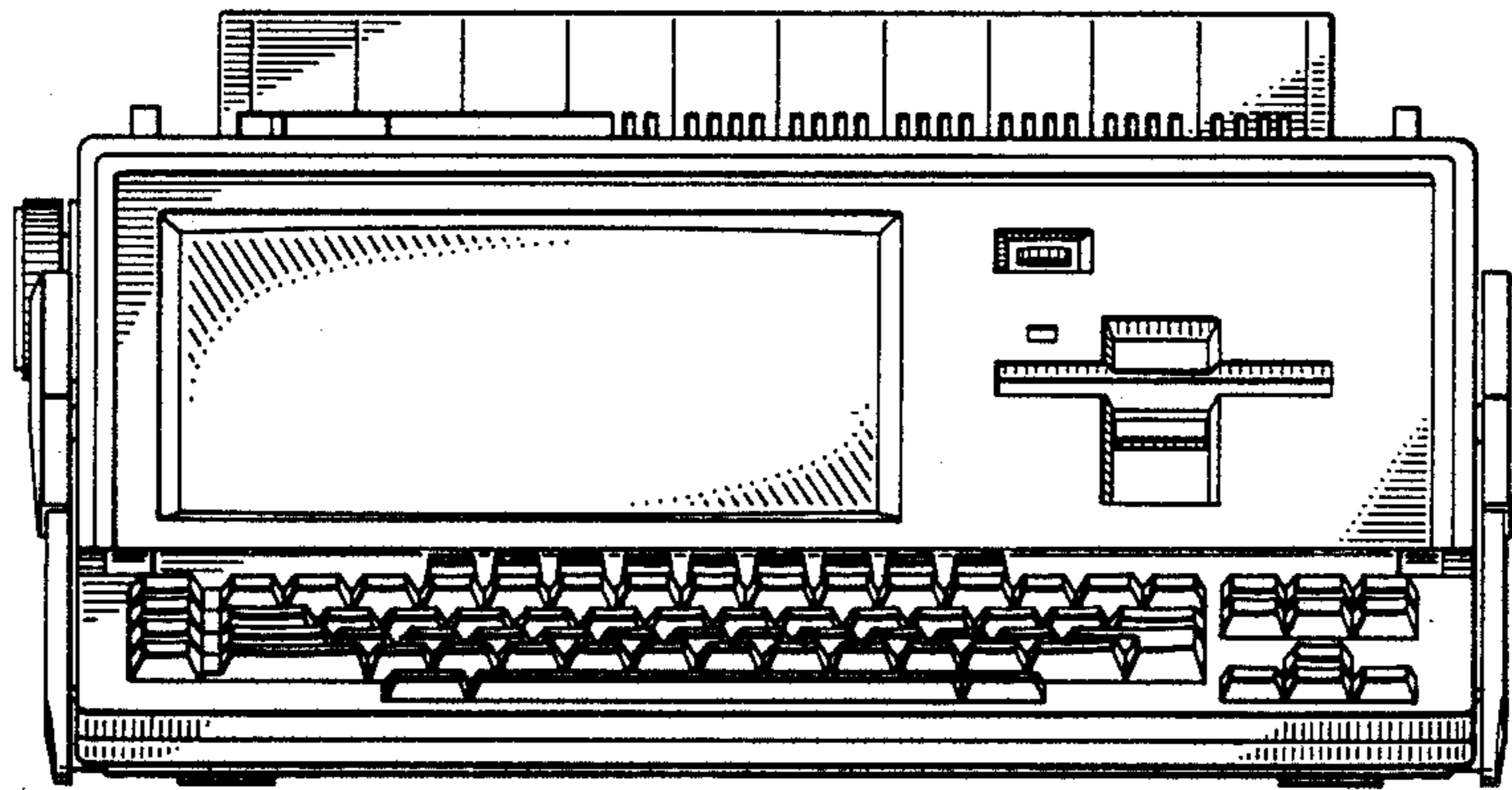


FIG. 1

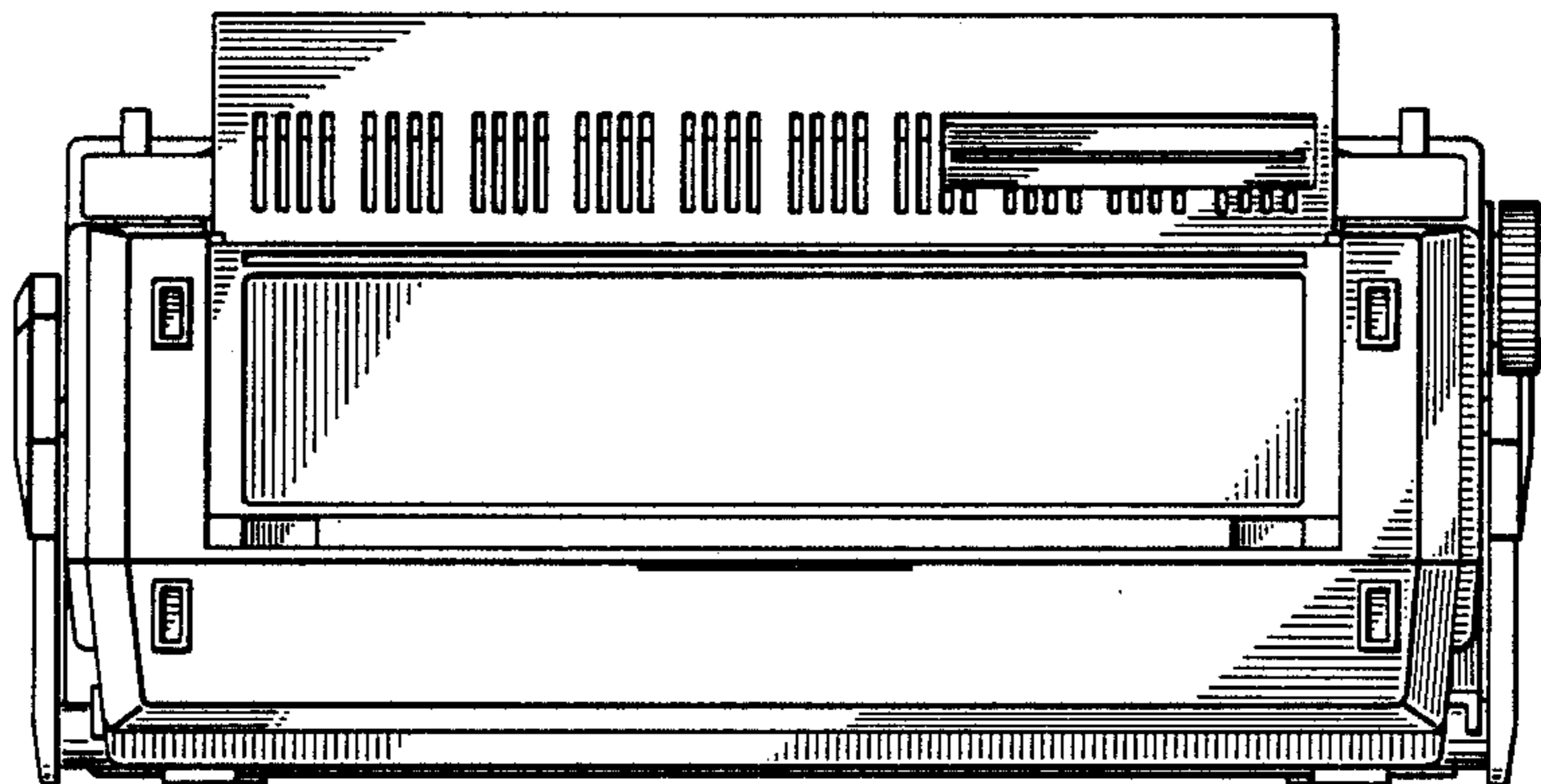


FIG. 2

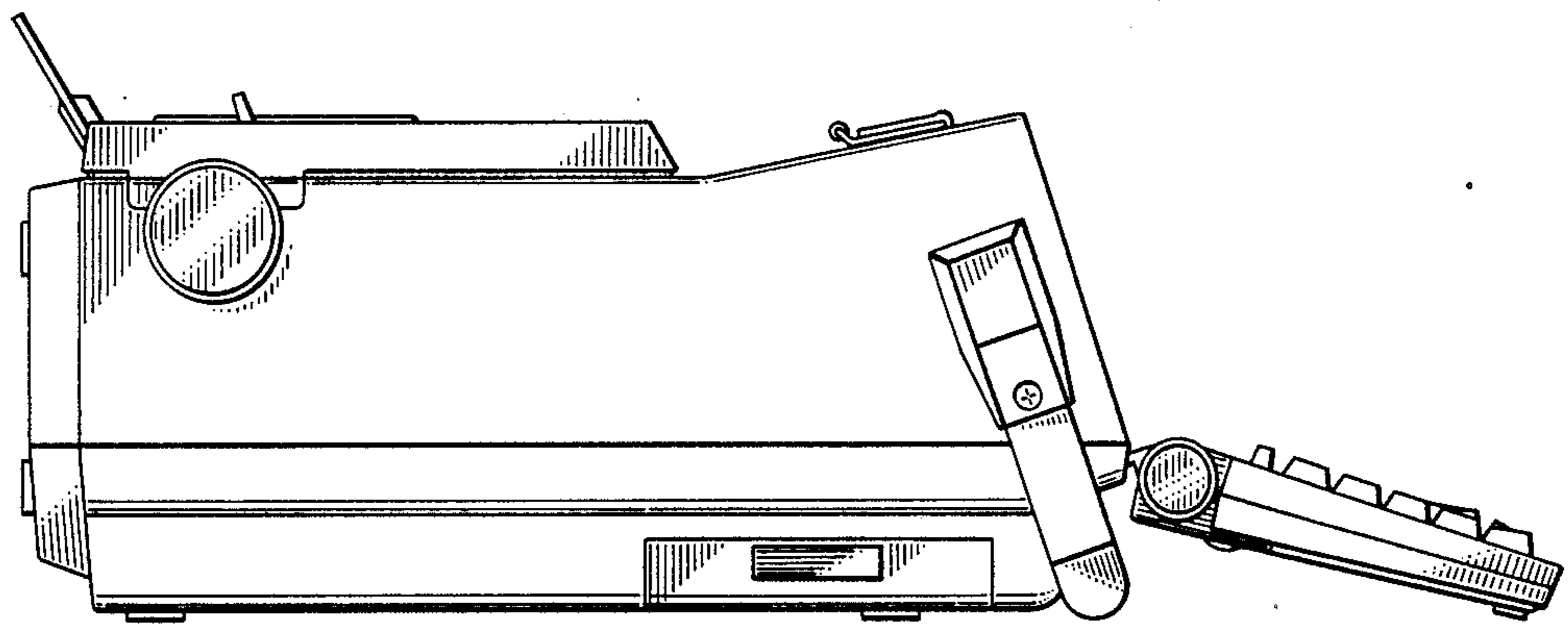


FIG. 3

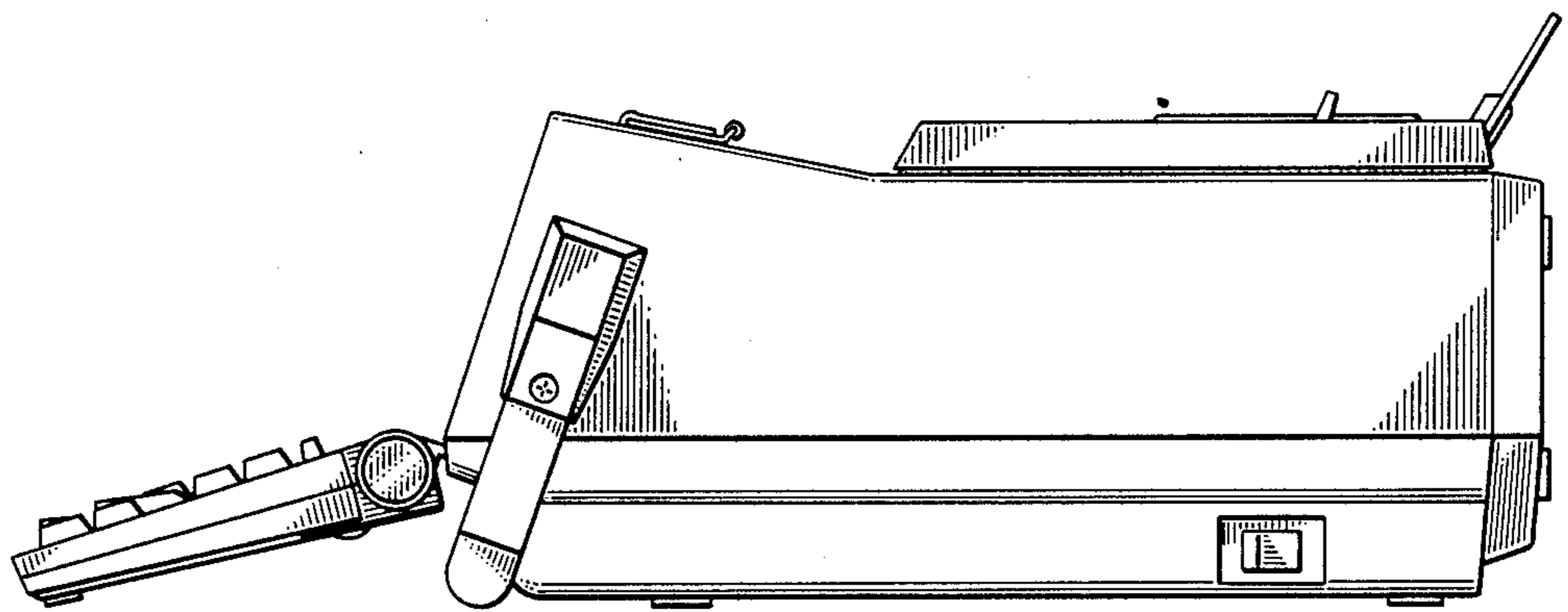


FIG. 4

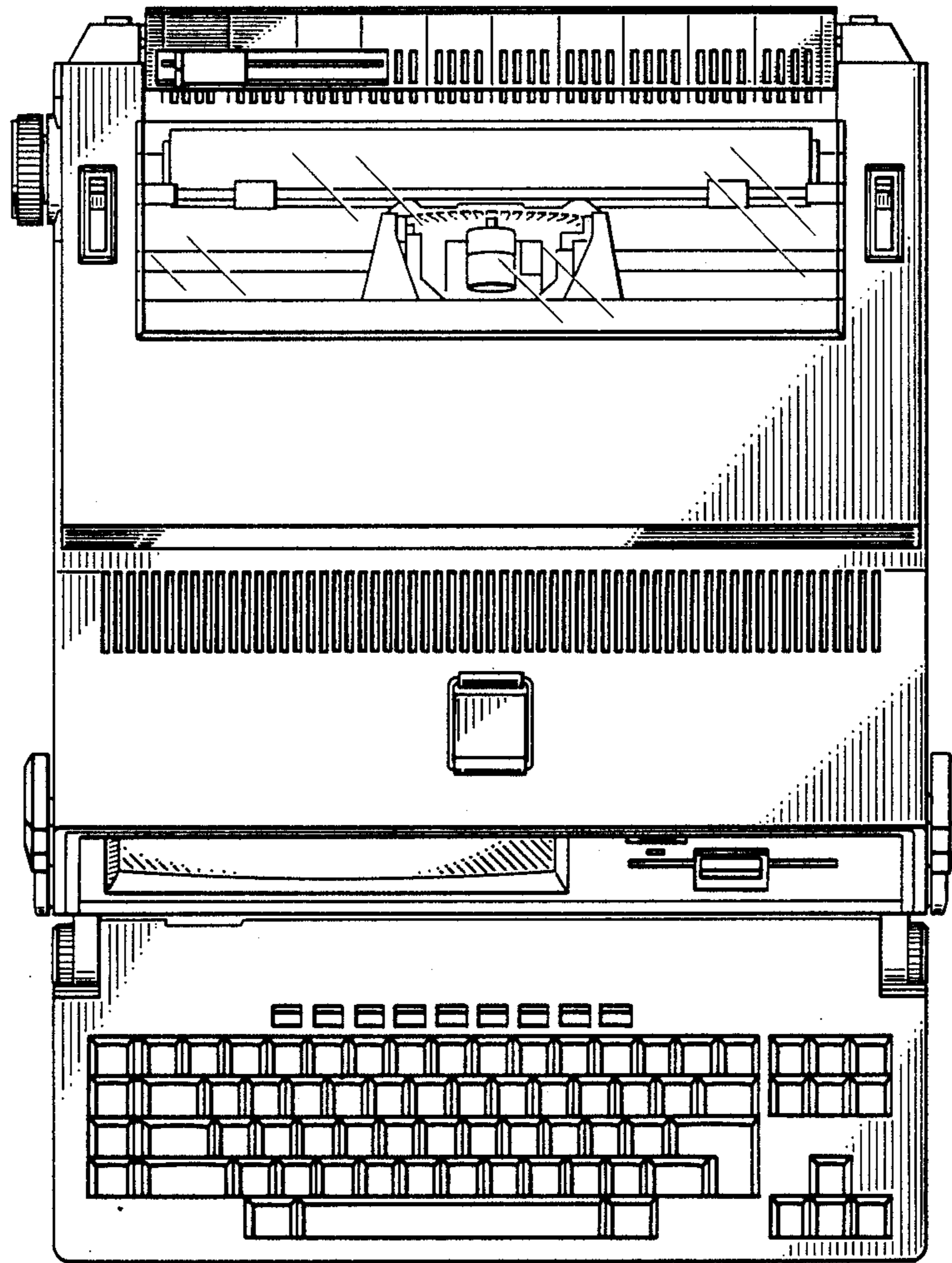


FIG. 5



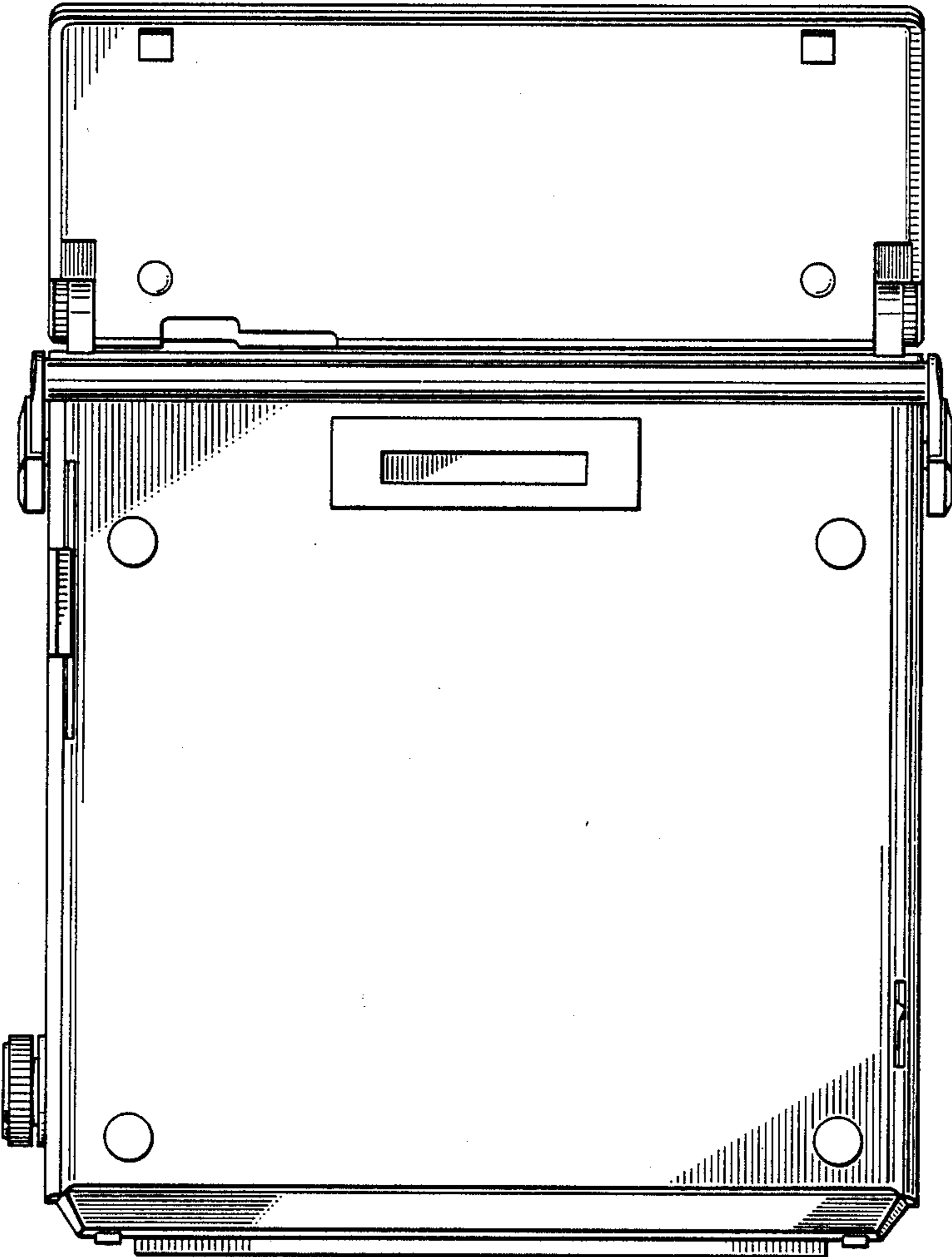


FIG. 6

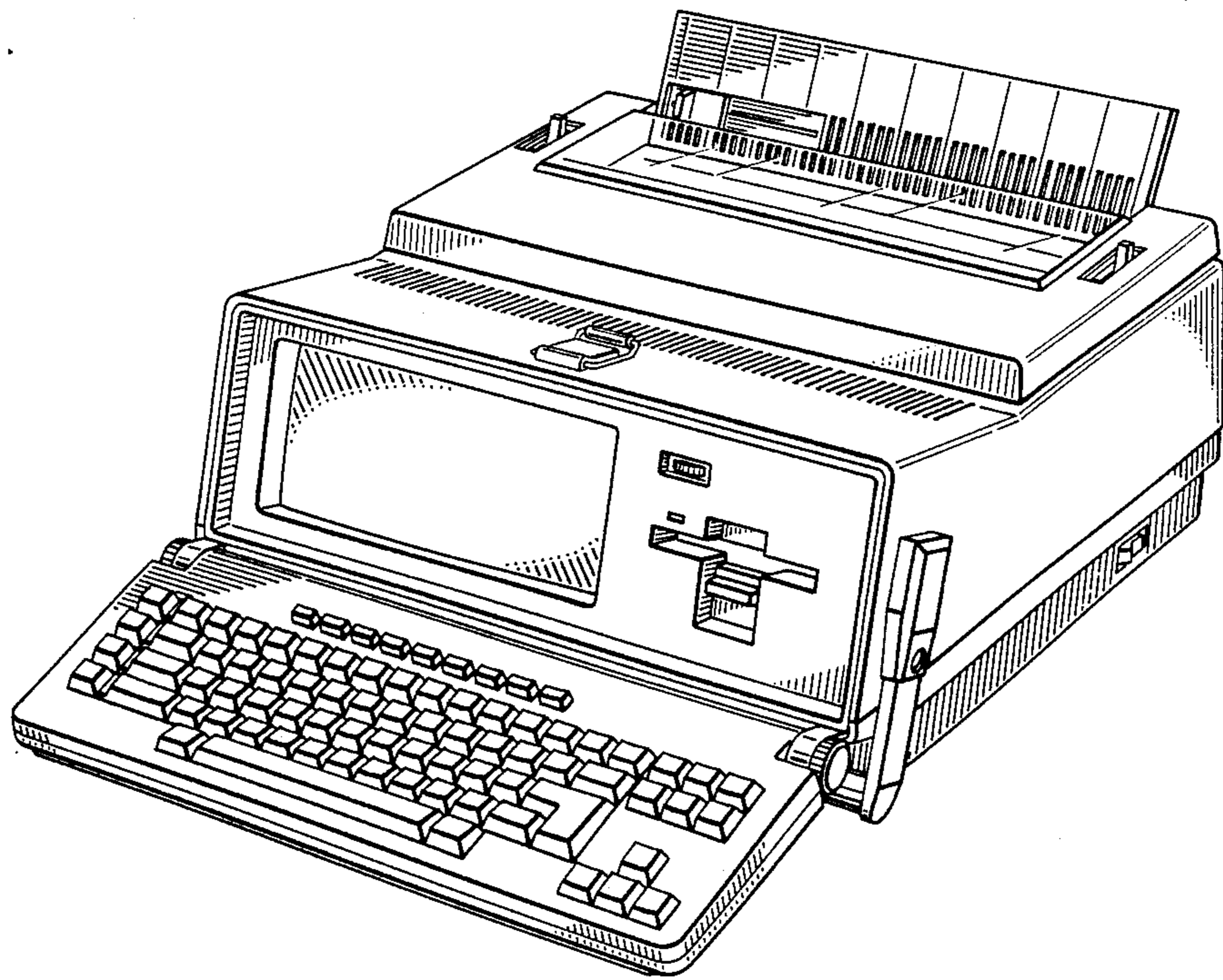


FIG. 7

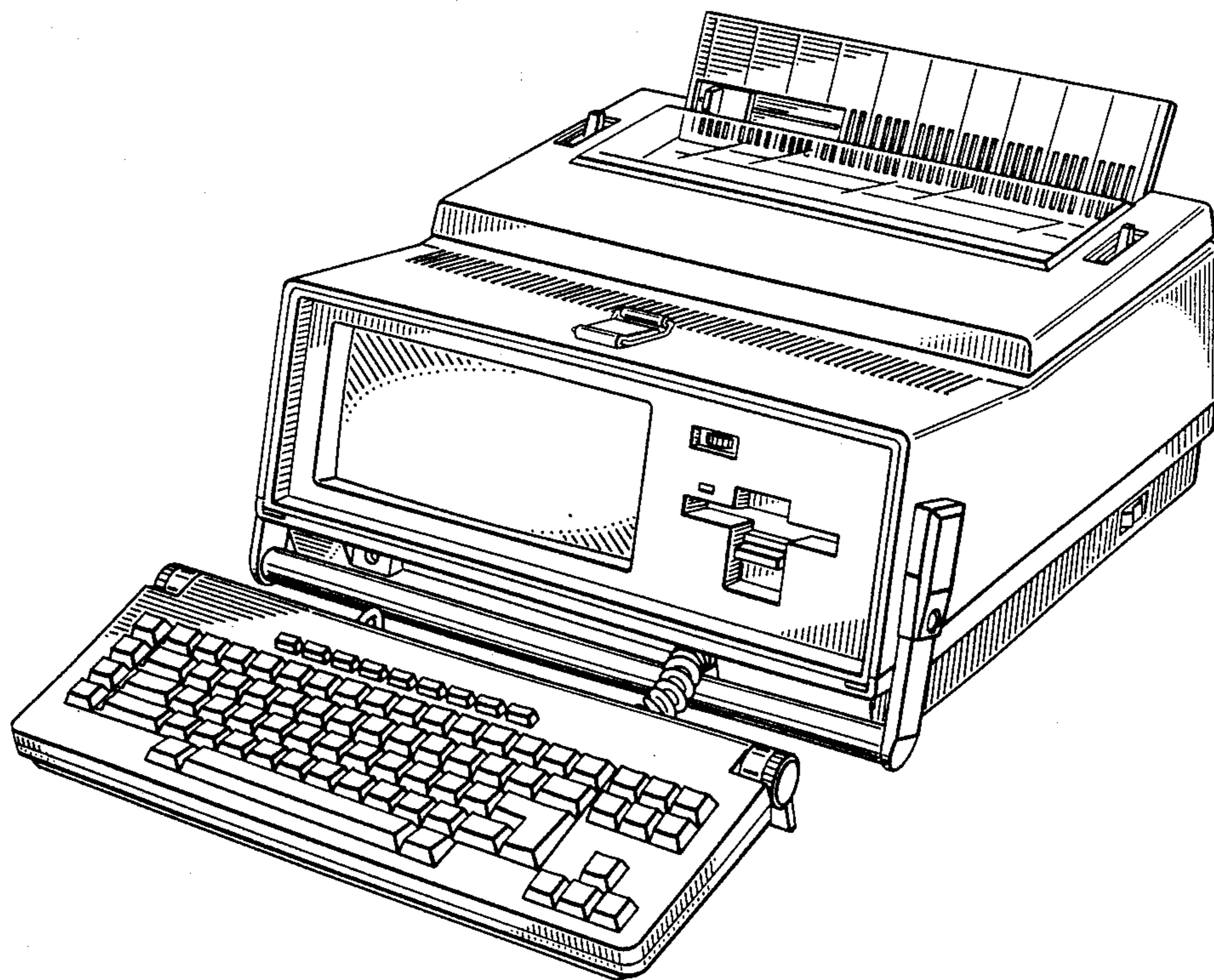


FIG. 8

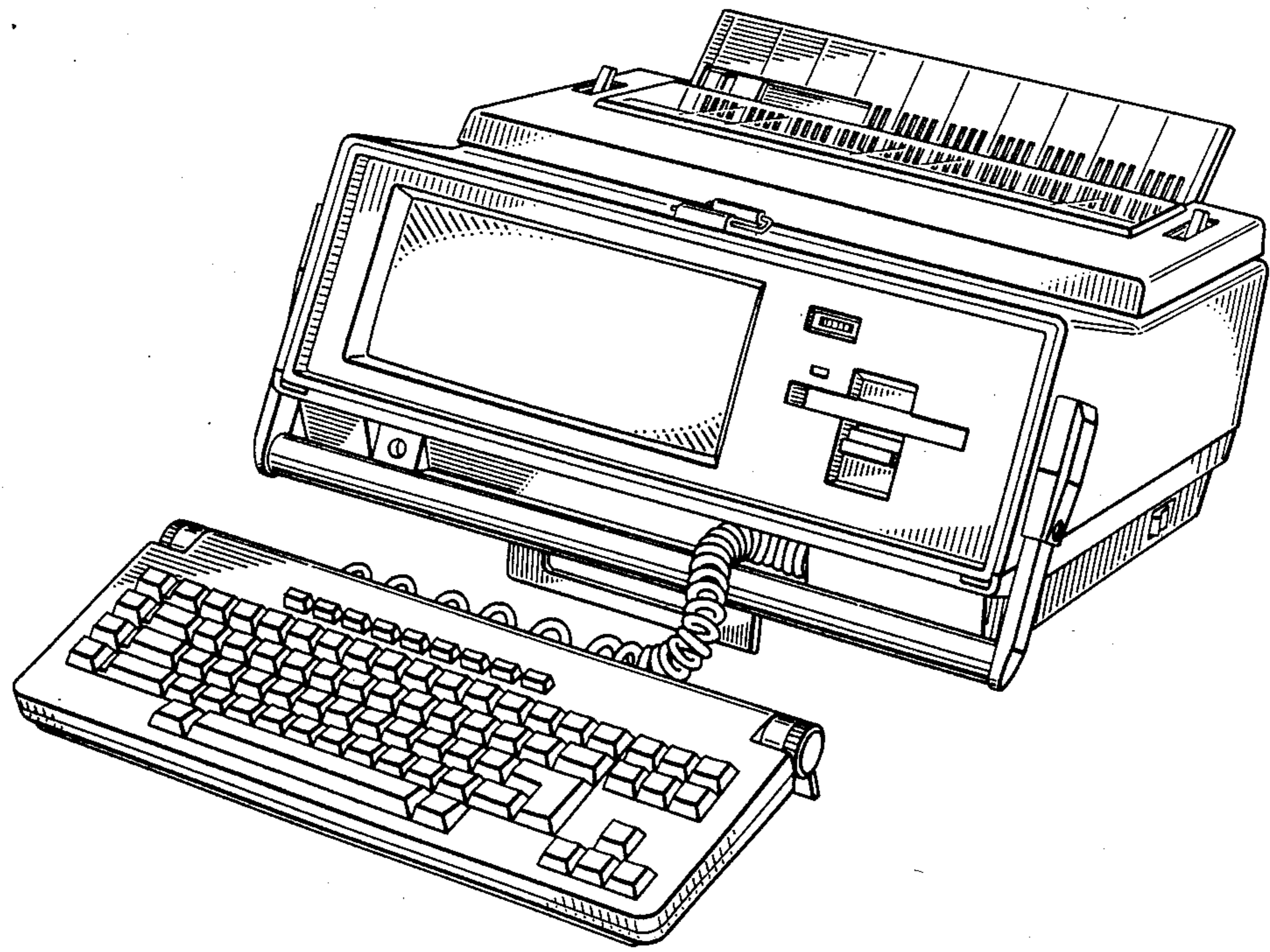


FIG. 9



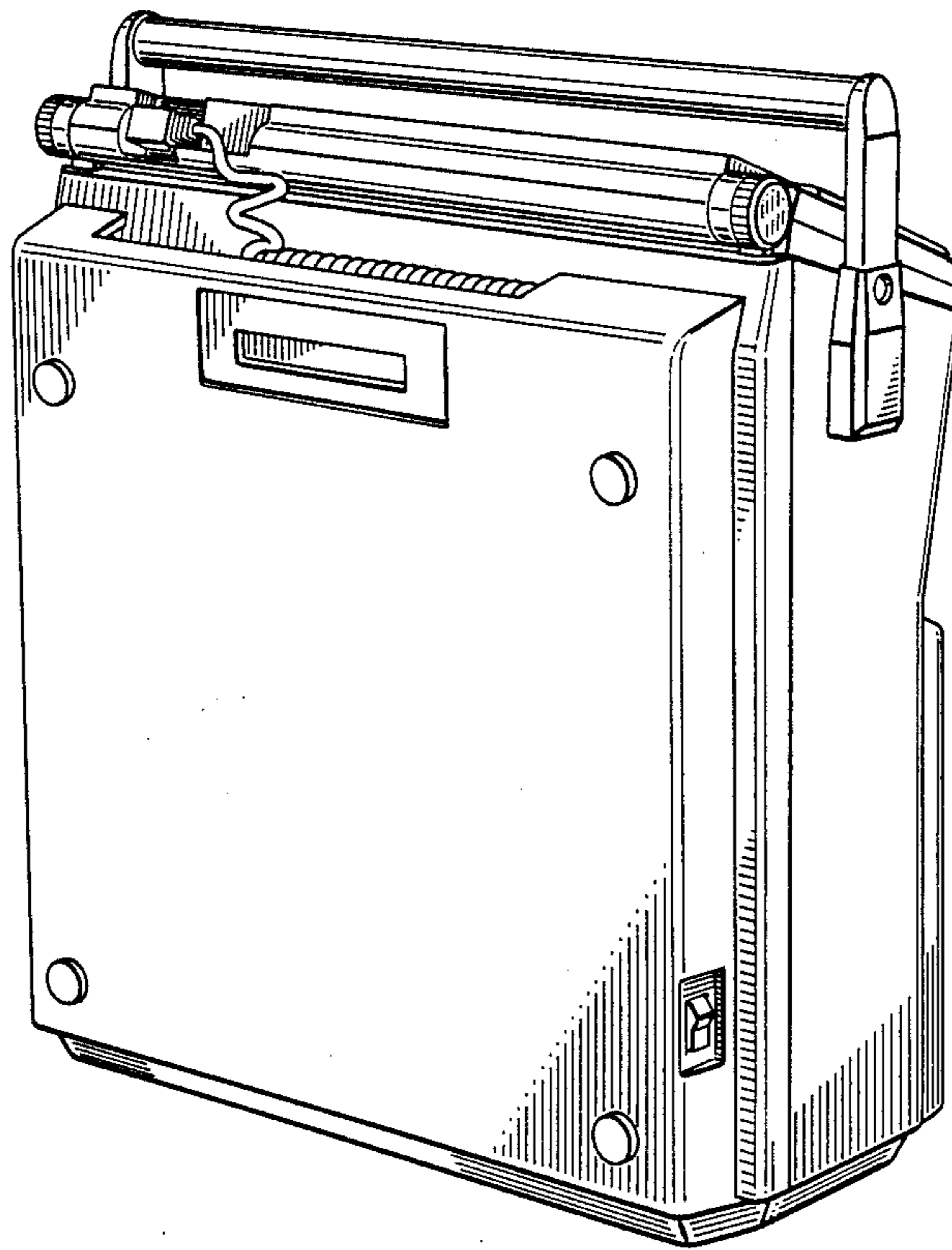


FIG. 10