

[54] **BAND SAW**

D. 301,719 6/1989 Wodli D15/134
4,372,185 2/1983 Pila D15/134 X

[75] **Inventors: Scott J. Collins; Timothy B. Strandell;
John W. Van Akkeren, all of
Milwaukee, Wis.**

FOREIGN PATENT DOCUMENTS

484502 7/1952 Canada 83/788

[73] **Assignee: Armstrong-Blum Mfg. Co., Oshkosh,
Wis.**

OTHER PUBLICATIONS

Kalamazoo Saw Catalog.

[**] **Term: 14 Years**

Primary Examiner—Bruce W. Dunkins

Assistant Examiner—Jeffrey Asch

[21] **Appl. No.: 160,509**

Attorney, Agent, or Firm—James G. Staples

[22] **Filed: Feb. 26, 1988**

[57] **CLAIM**

[52] **U.S. Cl. D15/134**

The ornamental design for a band saw, as shown and described.

[58] **Field of Search D15/133, 134; 83/788,
83/809, 810, 813; D7/385**

DESCRIPTION

[56] **References Cited**

U.S. PATENT DOCUMENTS

- D. 131,216 1/1942 Boice et al. D15/134
- D. 160,326 10/1950 Lasar D15/133 X
- D. 183,459 9/1958 Lasar D15/133 X
- D. 286,537 11/1986 Yamamoto D15/134
- D. 292,931 11/1987 Taguchi D15/134

FIG. 1 is a front and right side perspective view of a band saw showing our new design; FIG. 2 is a front elevational view; FIG. 3 is a top plan view; FIG. 4 is a left side elevational view thereof; FIG. 5 is a right side elevational view thereof; and FIG. 6 is a rear view thereof.

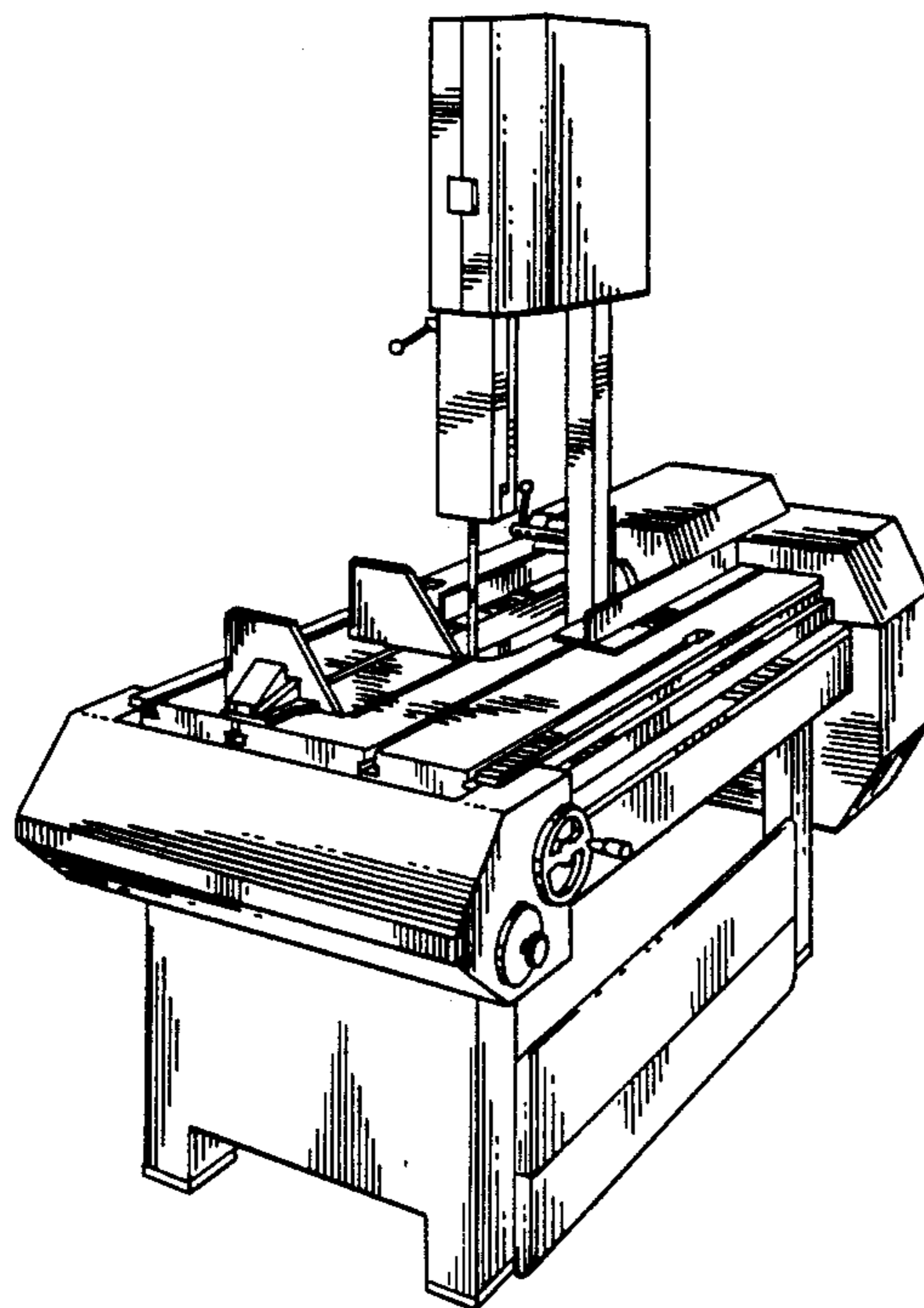


fig. 1.

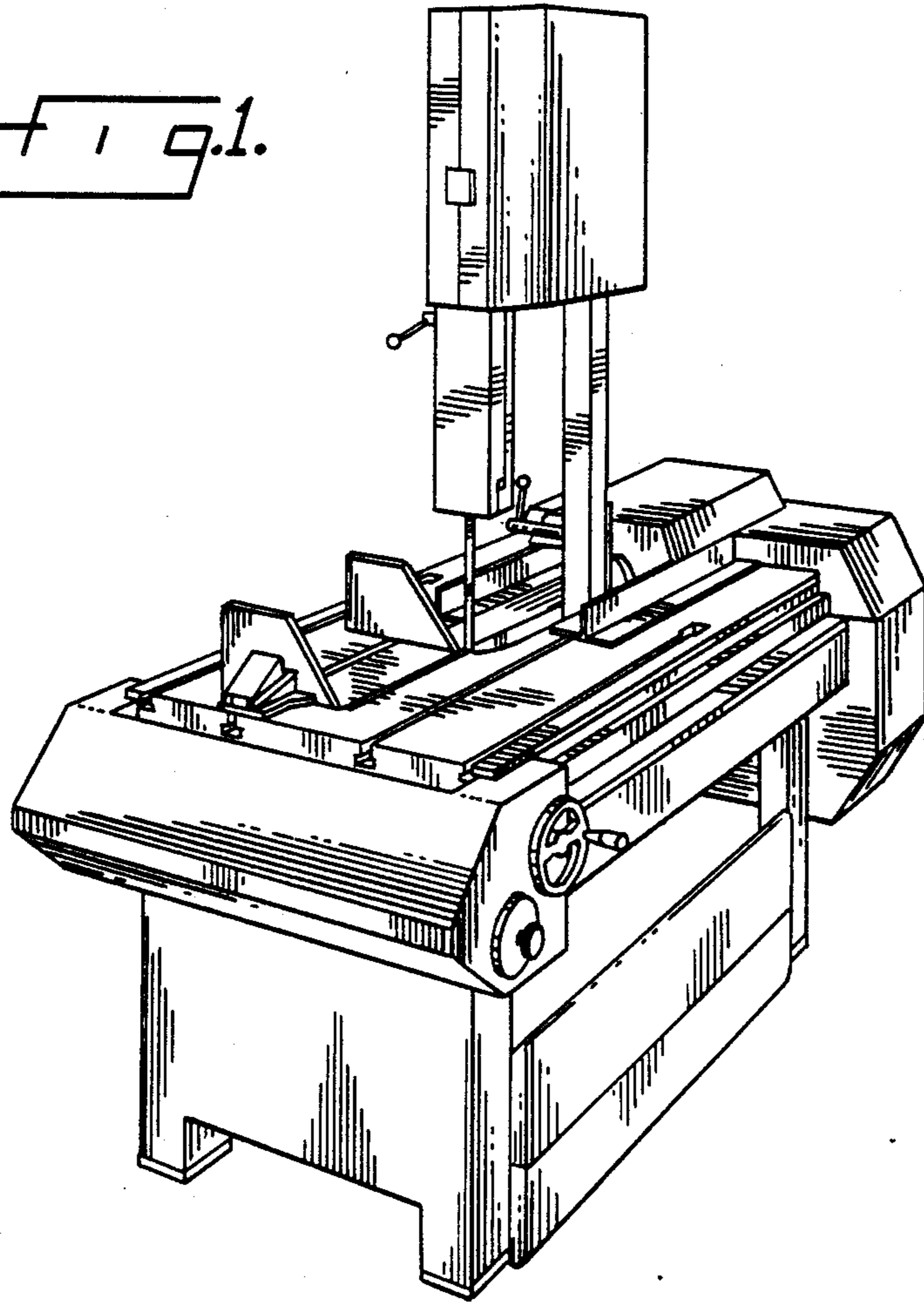
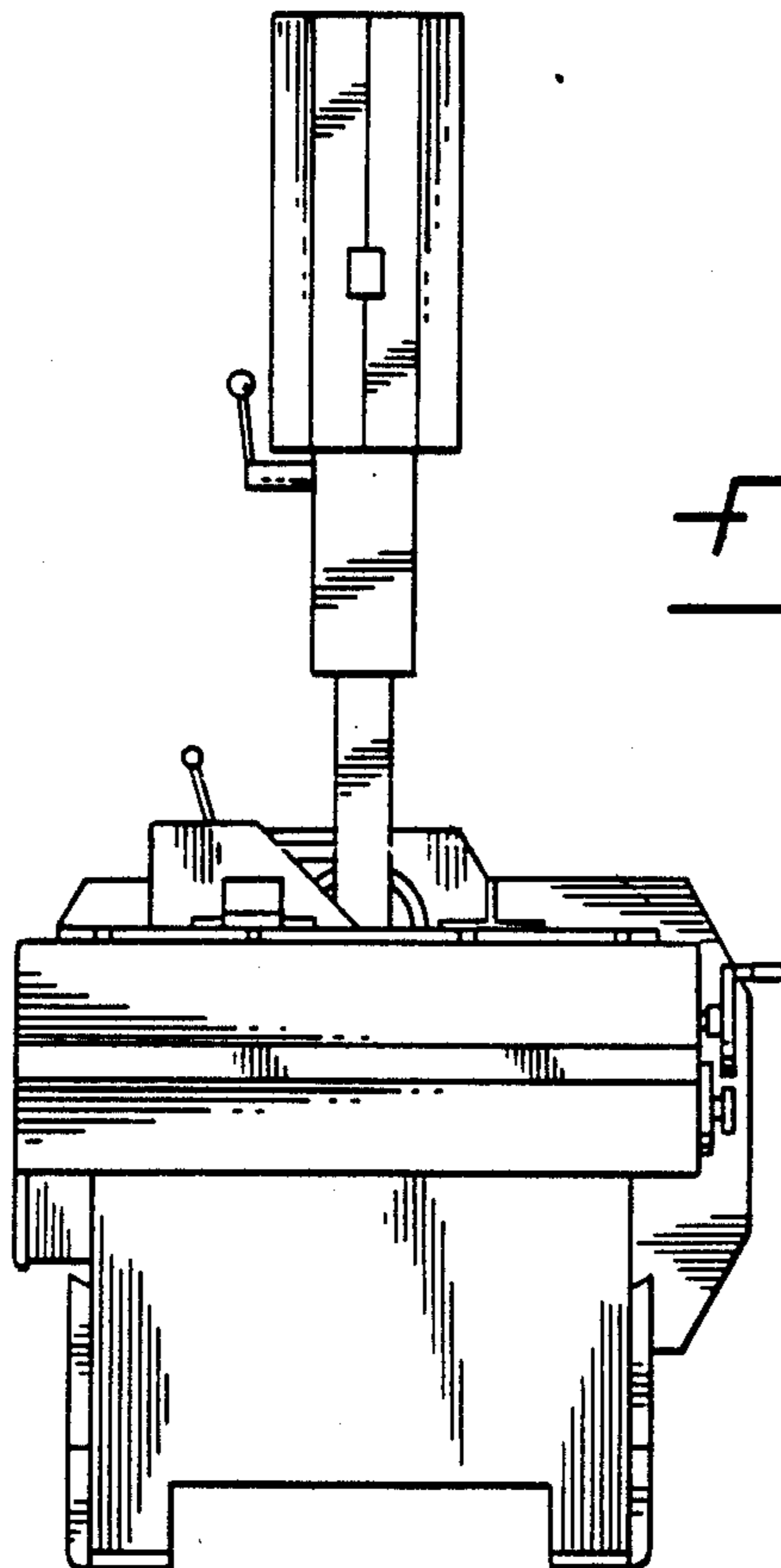


fig. 2.



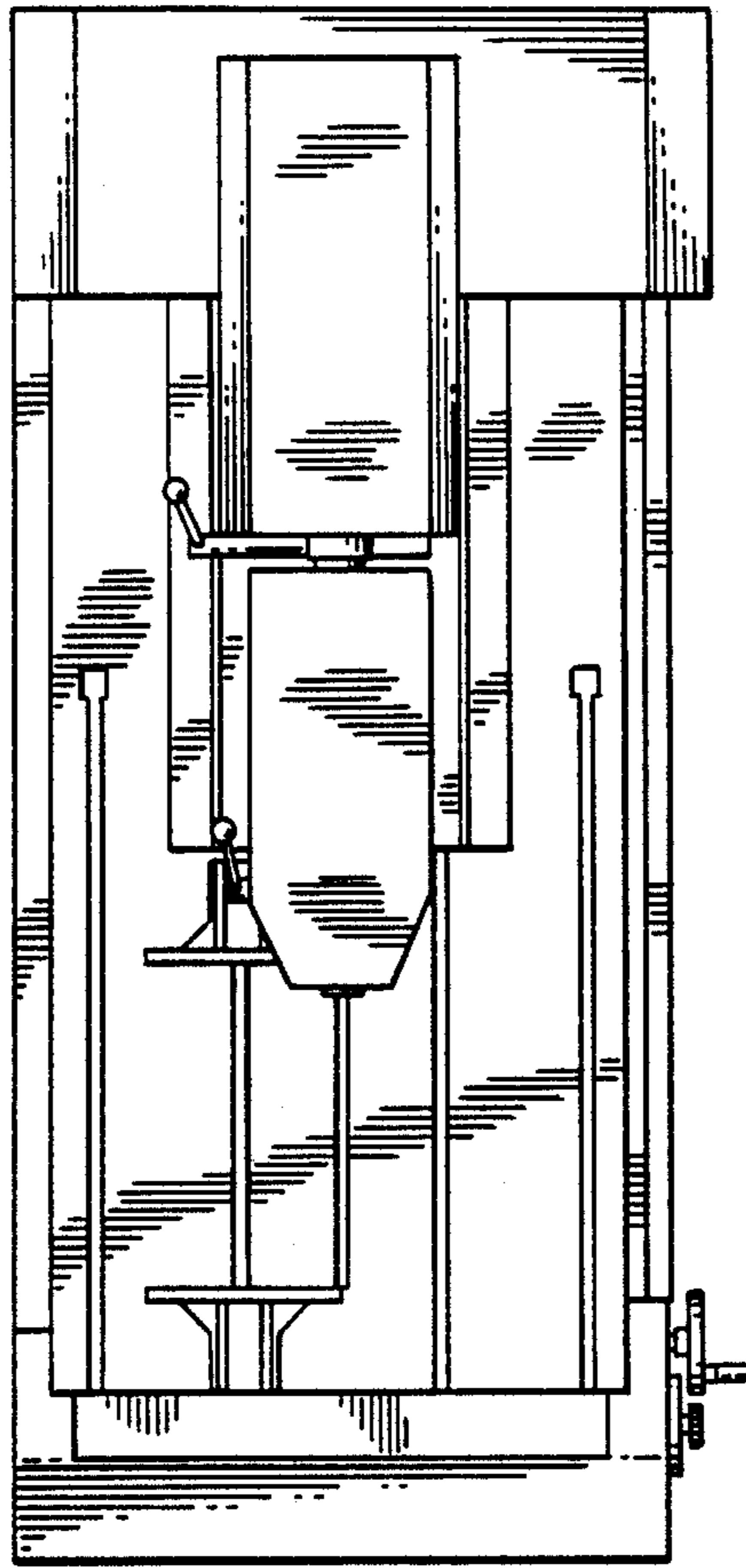


Fig. 3.

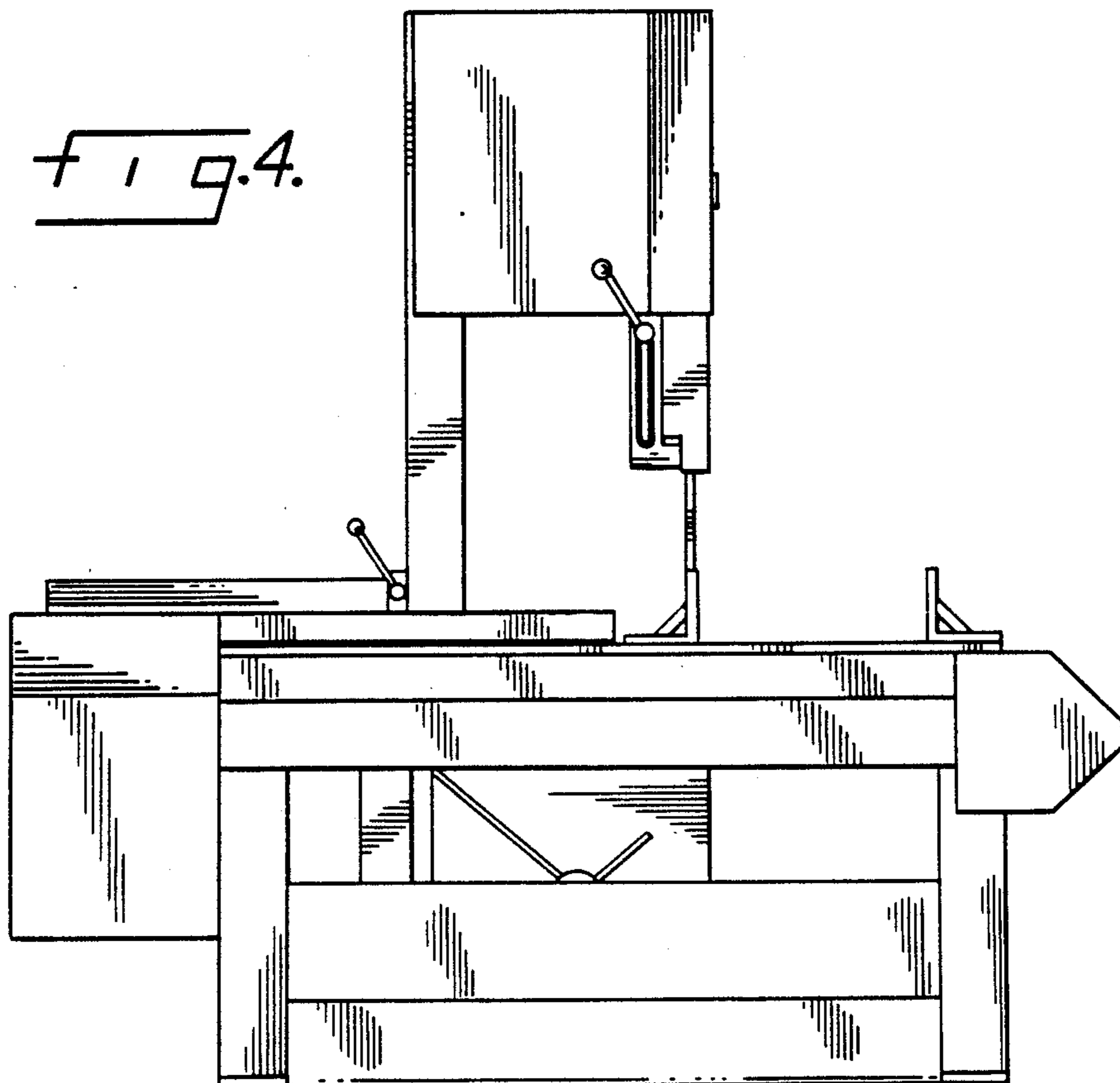


Fig. 4.

FIG. 5.

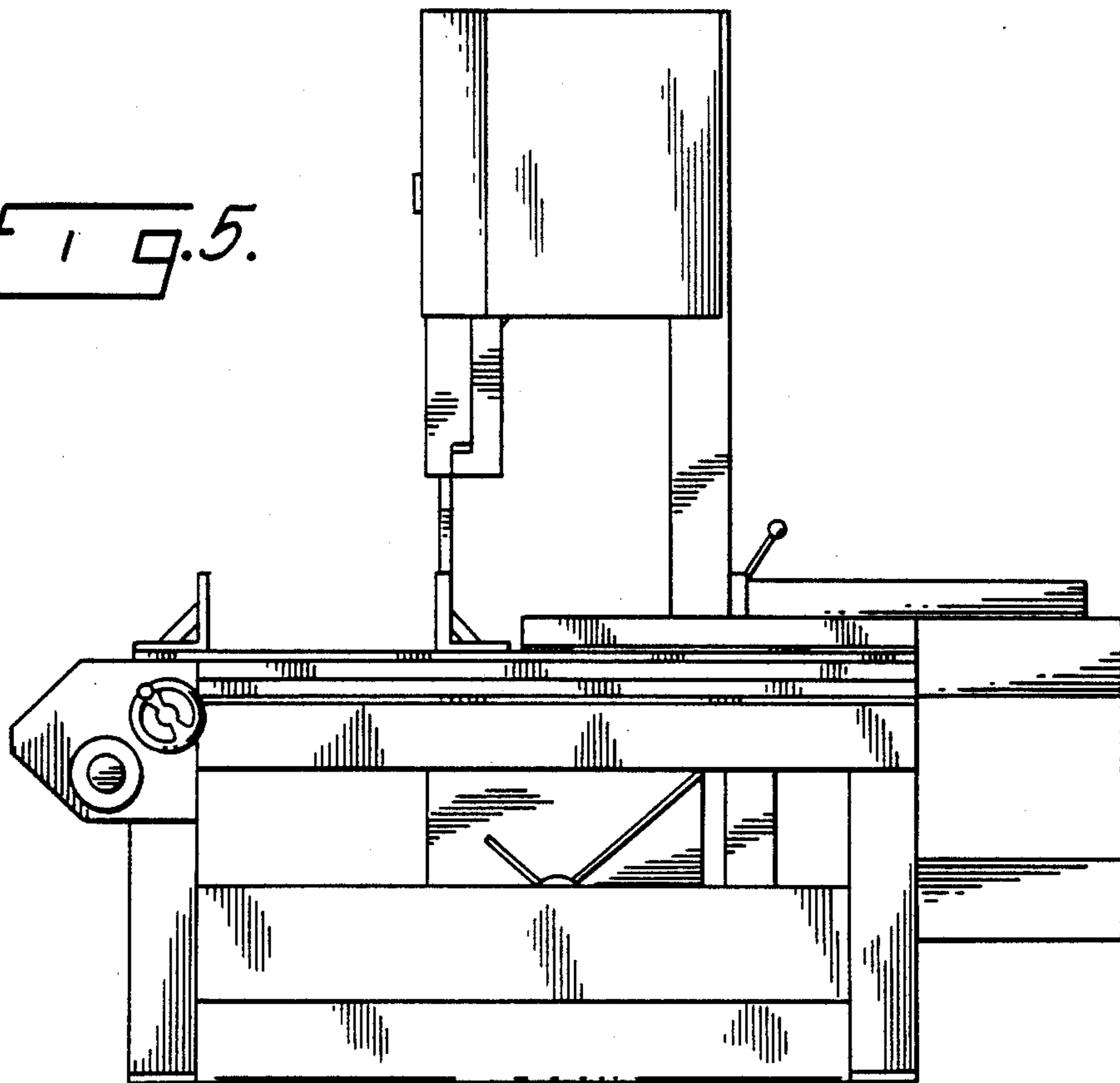


FIG. 6.

