

United States Patent [19]

Maina

[11] Patent Number: **Des. 309,315**

[45] Date of Patent: **** Jul. 17, 1990**

[54] **YARN FEEDER FOR TEXTILE MACHINES**

[75] Inventor: **Bruno Maina, Valdengo, Italy**

[73] Assignee: **Roj Electrotex S.p.A., Biella, Italy**

[**] Term: **14 Years**

[21] Appl. No.: **180,828**

[22] Filed: **Apr. 12, 1988**

[30] **Foreign Application Priority Data**

Oct. 12, 1987 [IT] Italy 22525 B/87

[52] U.S. Cl. **D15/78**

[58] Field of Search **D15/66, 69, 72, 78;**
139/452

[56] **References Cited**

U.S. PATENT DOCUMENTS

1,423,487 6/1922 Meissel D15/72
4,592,393 6/1986 Steiner 139/452

4,638,840 1/1987 Ghiardo et al. 139/452
4,785,855 11/1988 Benz et al. 139/452

Primary Examiner—B. J. Bullock
Assistant Examiner—Sandra Morris
Attorney, Agent, or Firm—Young & Thompson

[57] **CLAIM**

The ornamental design for a yarn feeder for textile machines, as shown.

DESCRIPTION

FIG. 1 is a front left side perspective view of a yarn feeder, for textile machines, showing my new design; FIG. 2 is a rear right side perspective view thereof; FIG. 3 is a top perspective view thereof; FIG. 4 is a front elevational view thereof; FIG. 5 is a left side perspective view thereof; FIG. 6 is a right side perspective view thereof; FIG. 7 is a rear elevational view thereof.

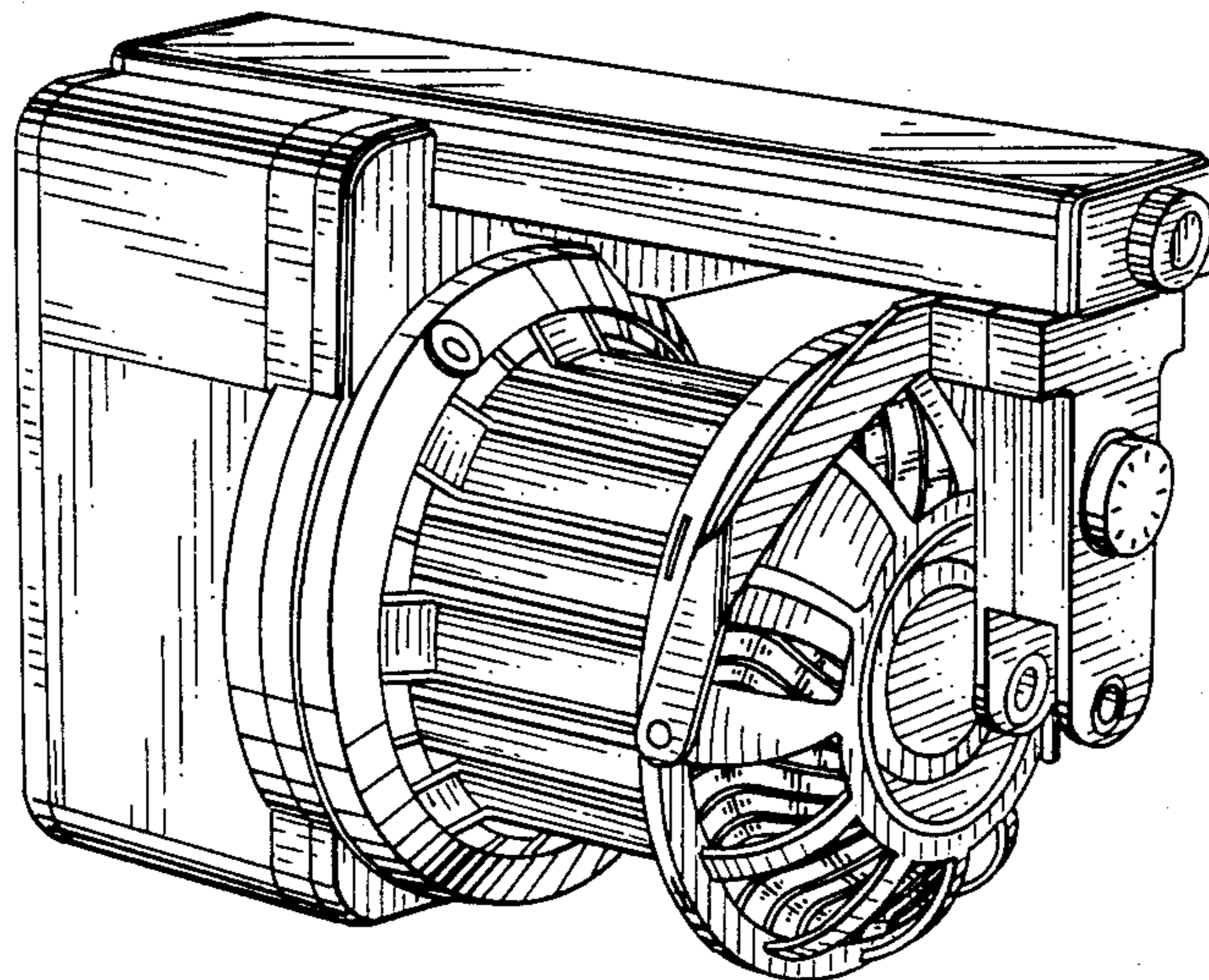


FIG. 1

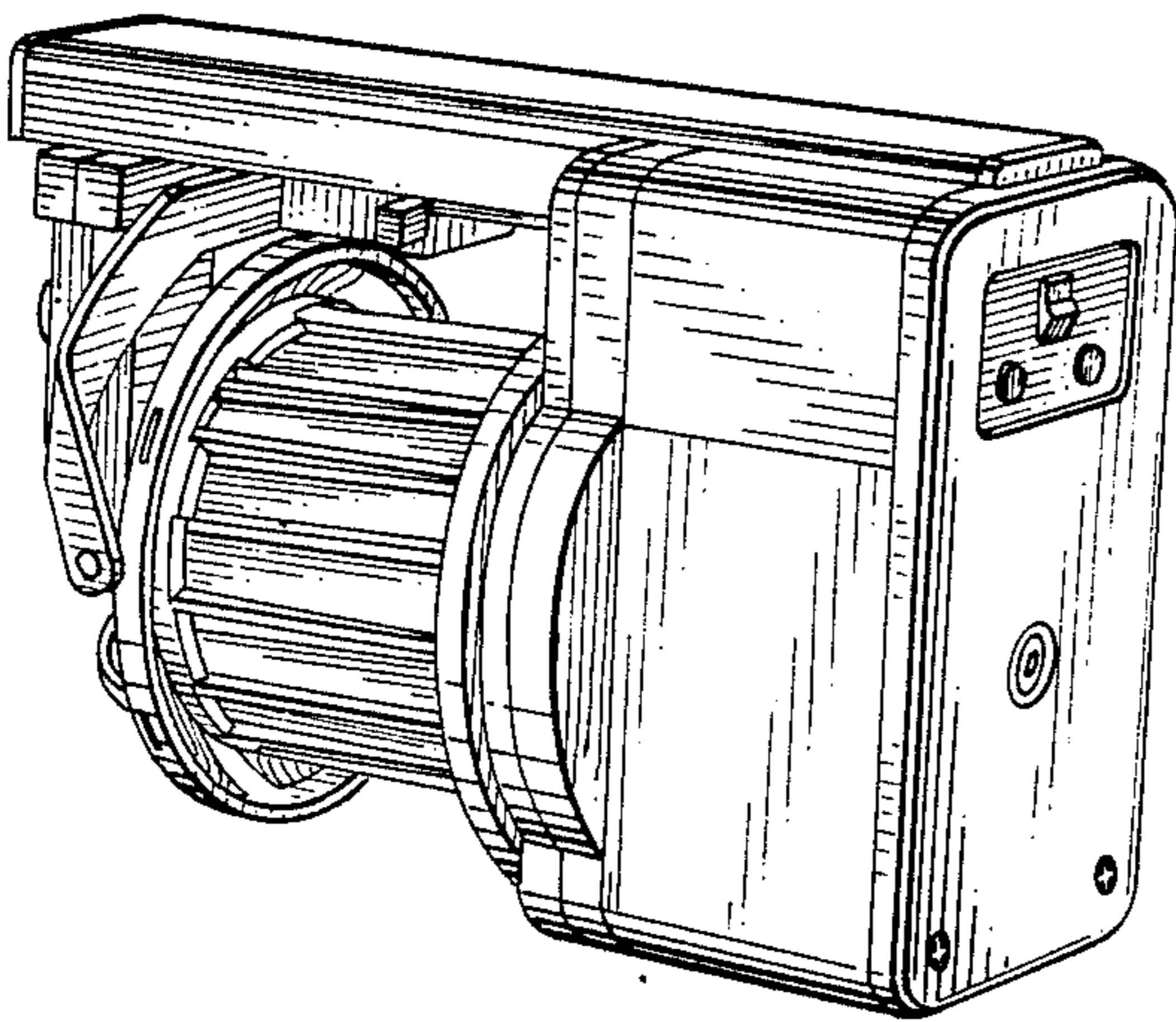
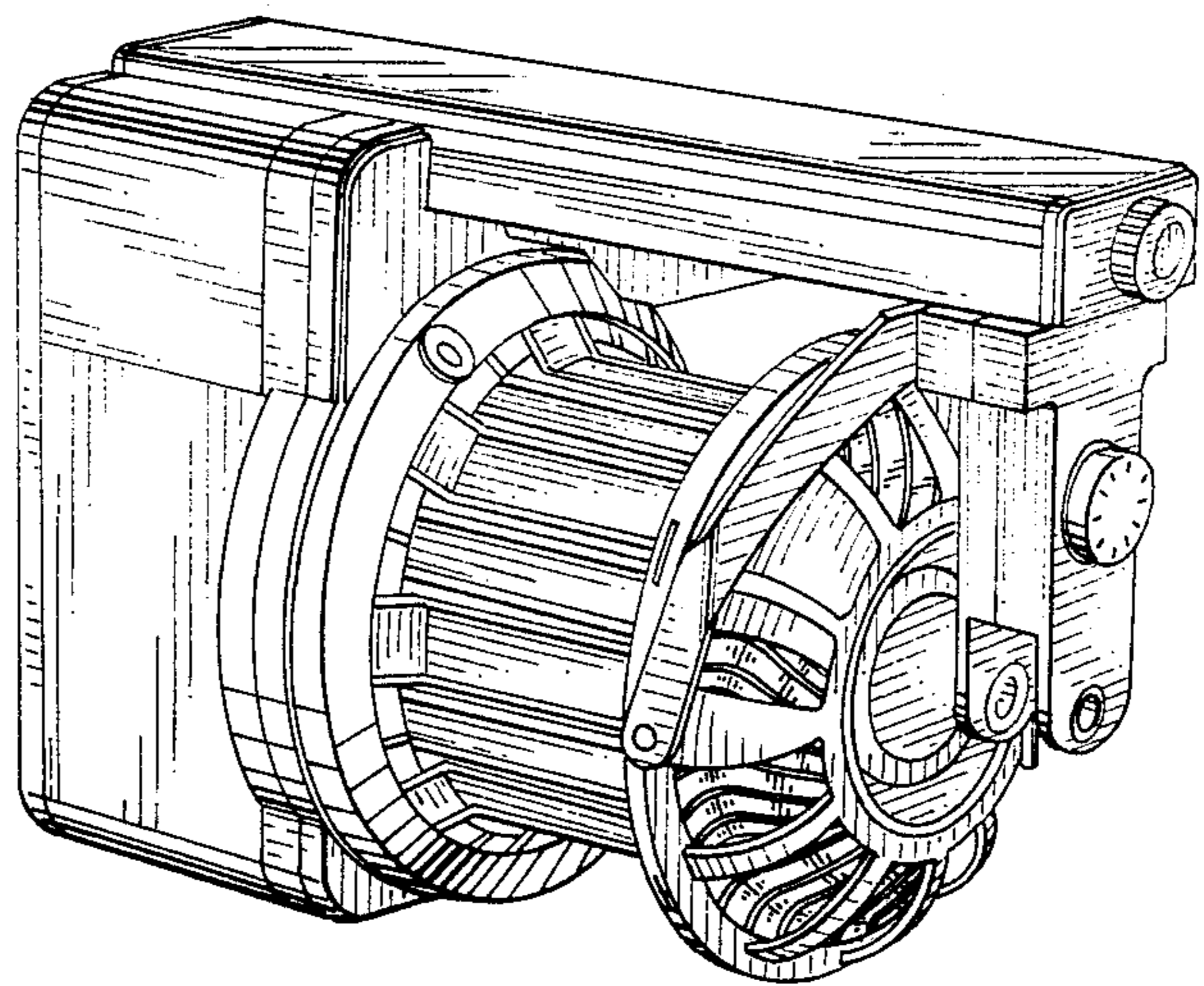


FIG. 2

FIG. 3

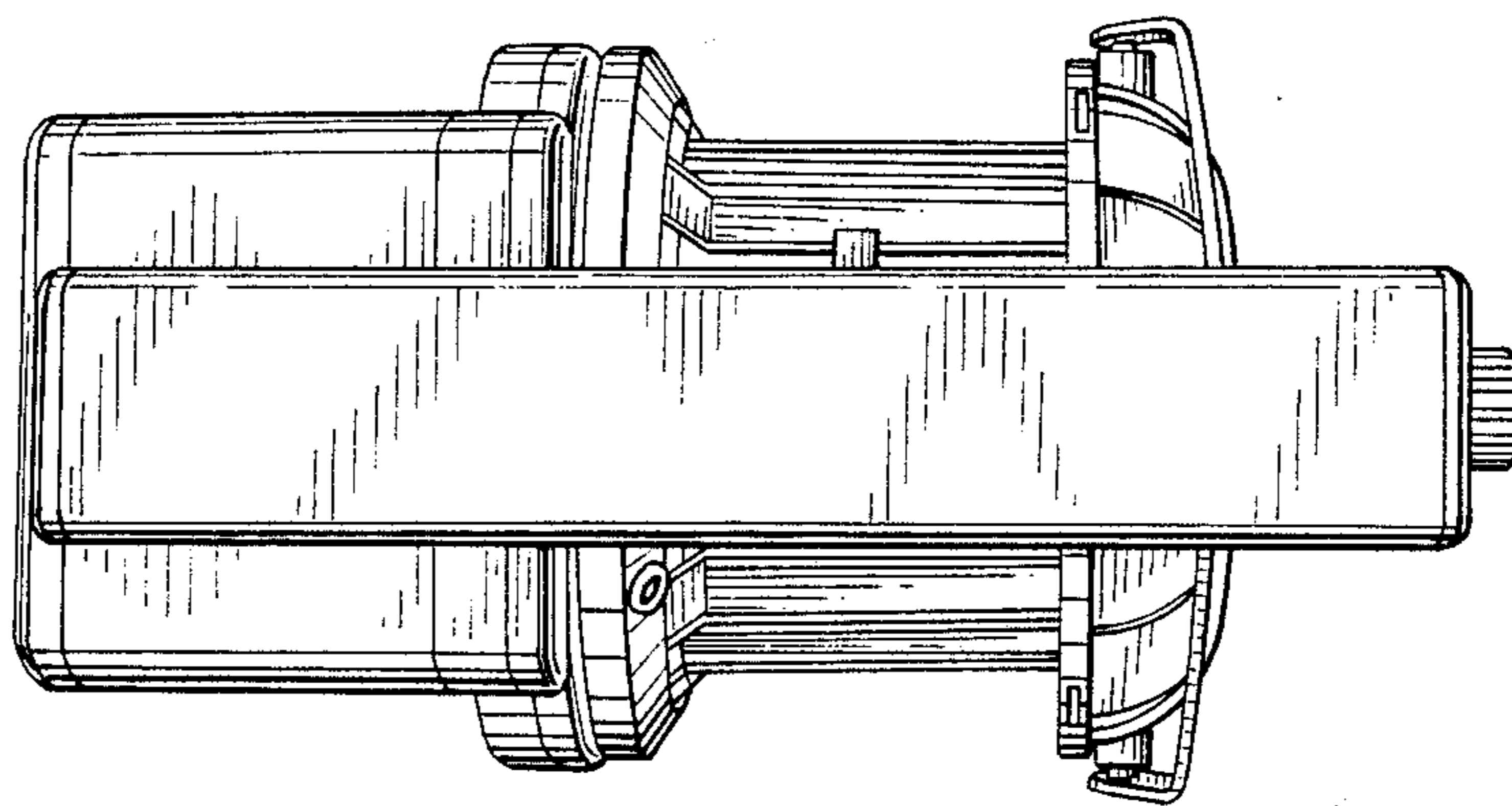


FIG. 4

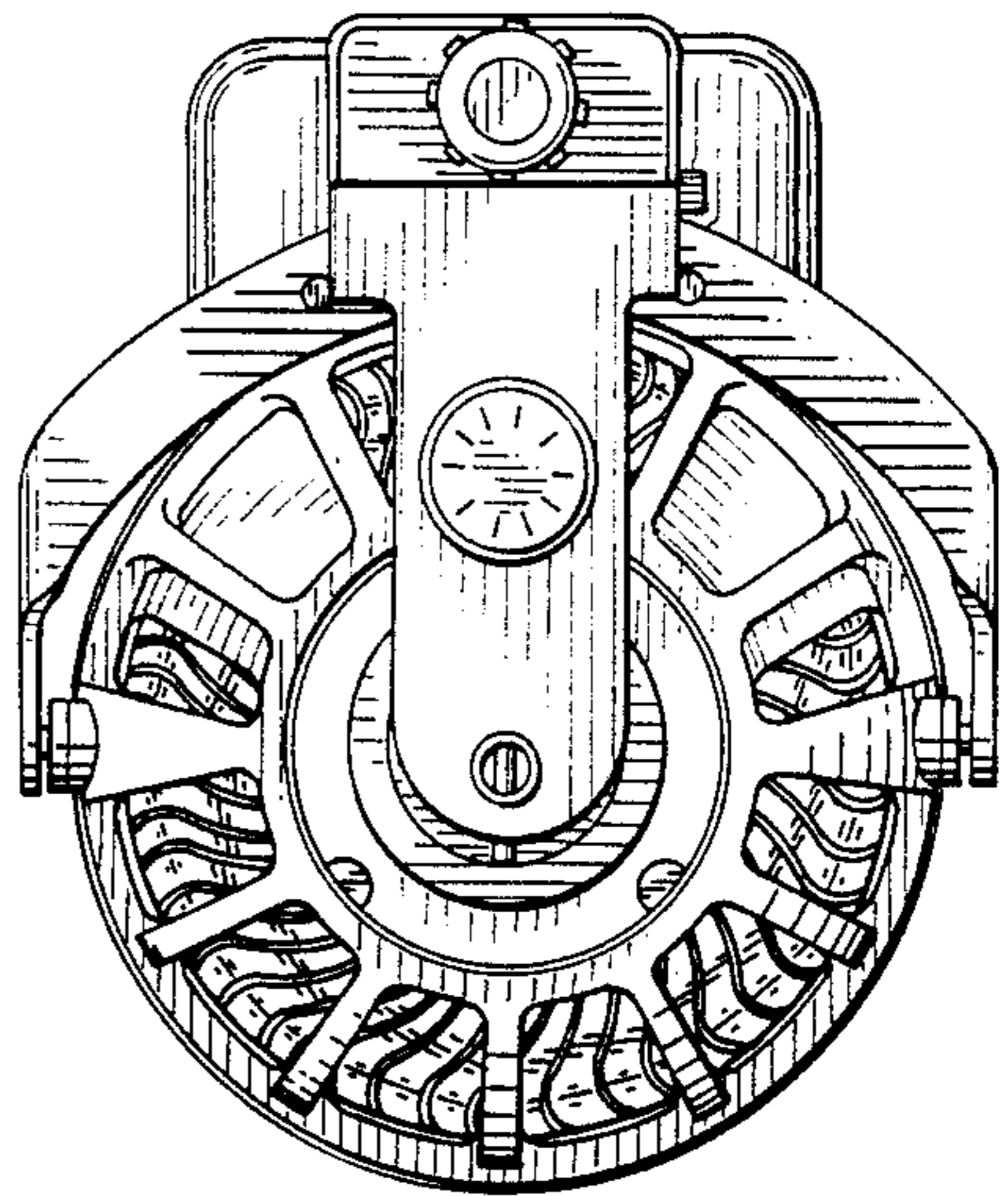


FIG. 5

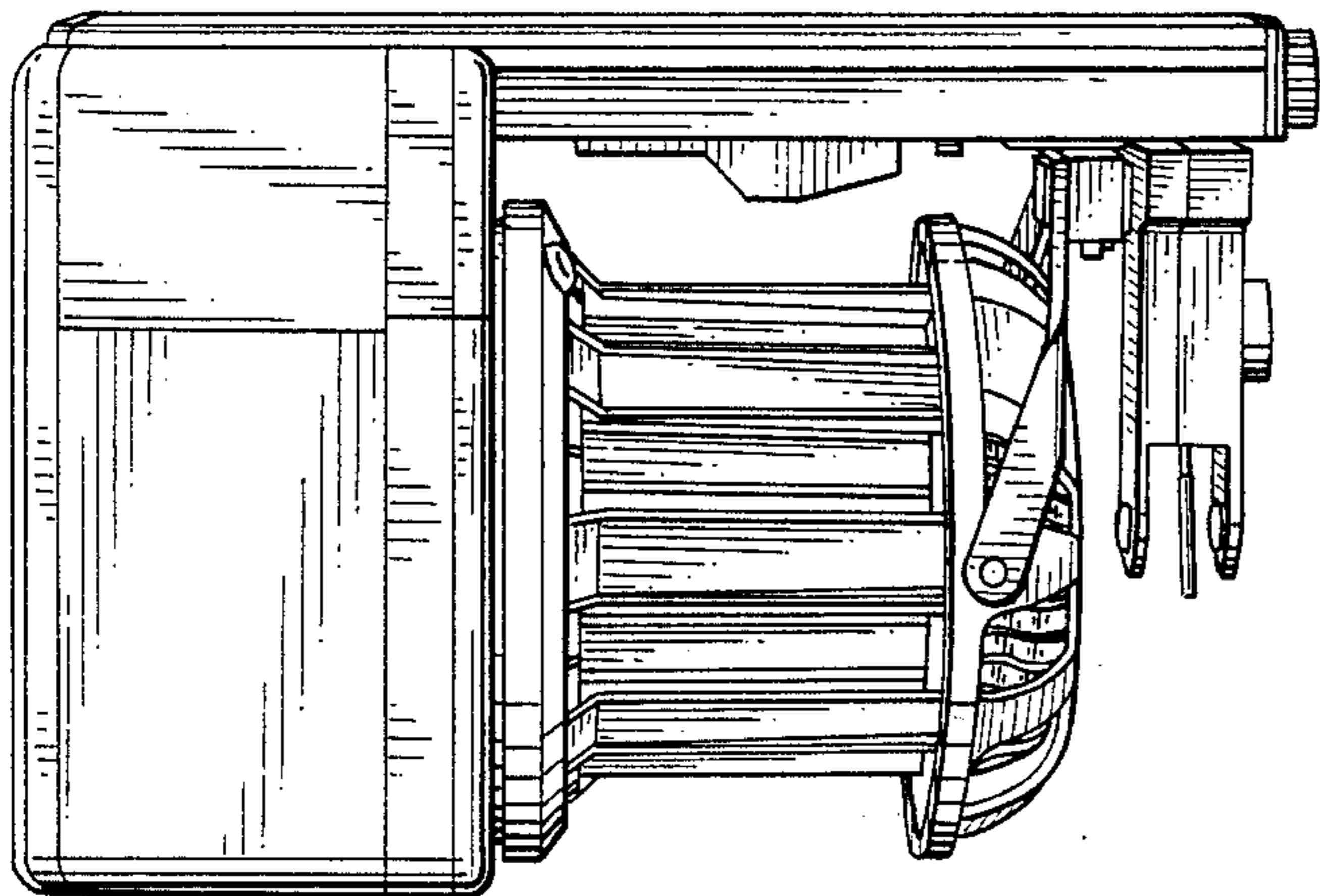


FIG. 6

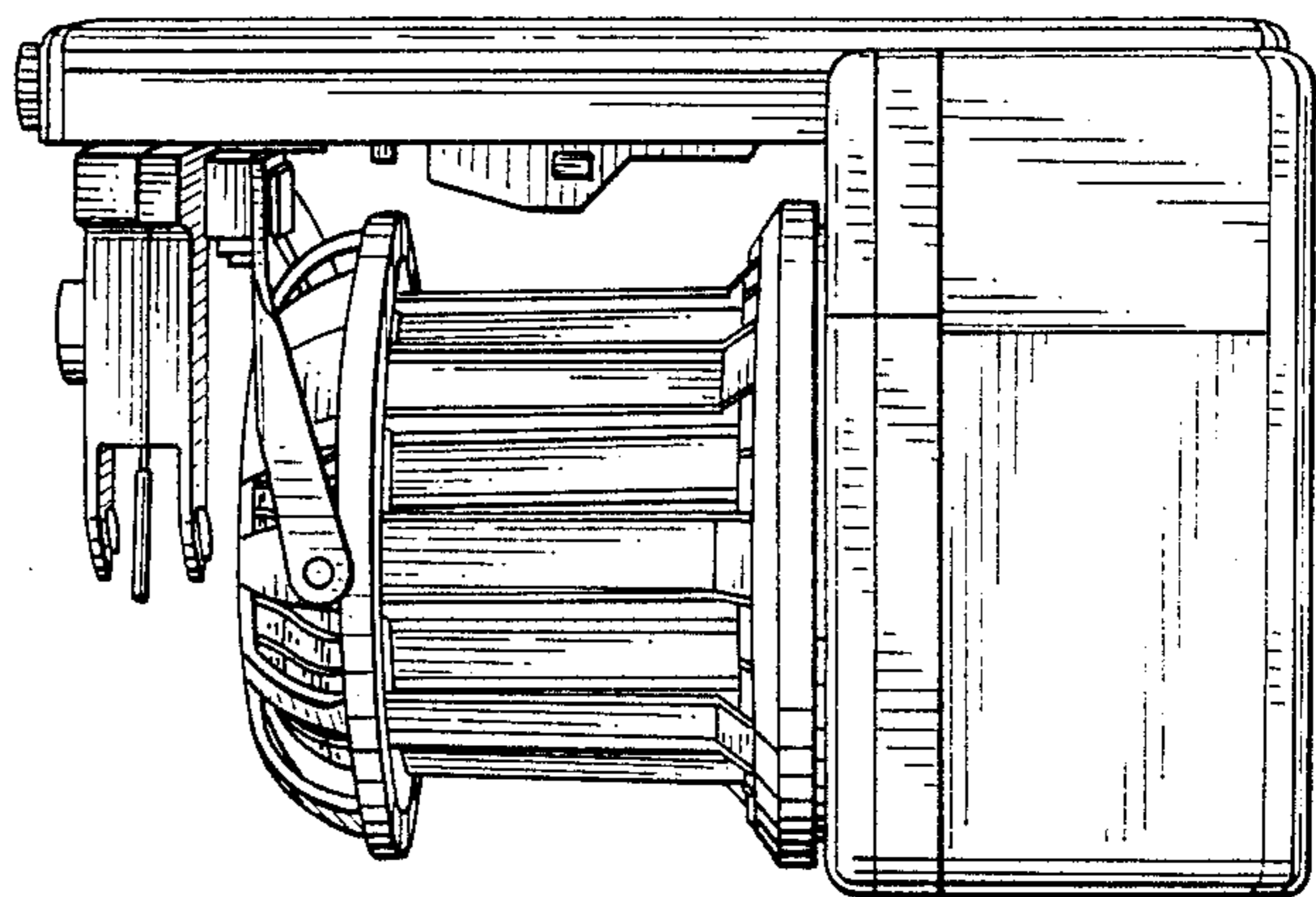


FIG. 7

