

[54] BACKHOE

4,728,251 3/1988 Takashima et al. .... 414/694  
4,771,855 9/1988 Takashima et al. .... 180/326  
4,776,750 10/1983 Griswold et al. .... 37/103

[75] Inventors: Akira Takashima; Shizuo Shimoie;  
Hisato Katoh, all of Sakai, Japan

Primary Examiner—B. J. Bullock  
Assistant Examiner—Sandra Morris  
Attorney, Agent, or Firm—Edwin E. Greigg

[73] Assignee: Kubota, Ltd., Osaka, Japan

[\*\*] Term: 14 Years

[57] CLAIM

[21] Appl. No.: 187,996

The ornamental design for a backhoe, as shown and described.

[22] Filed: Apr. 29, 1988

[30] Foreign Application Priority Data

Oct. 29, 1987 [JP] Japan ..... 62-44276

Oct. 29, 1987 [JP] Japan ..... 62-44277

[52] U.S. Cl. .... D15/25

[58] Field of Search ..... D15/10, 22, 23, 24,  
D15/25; 37/103; 180/326; 414/685, 687, 688,  
694, 722

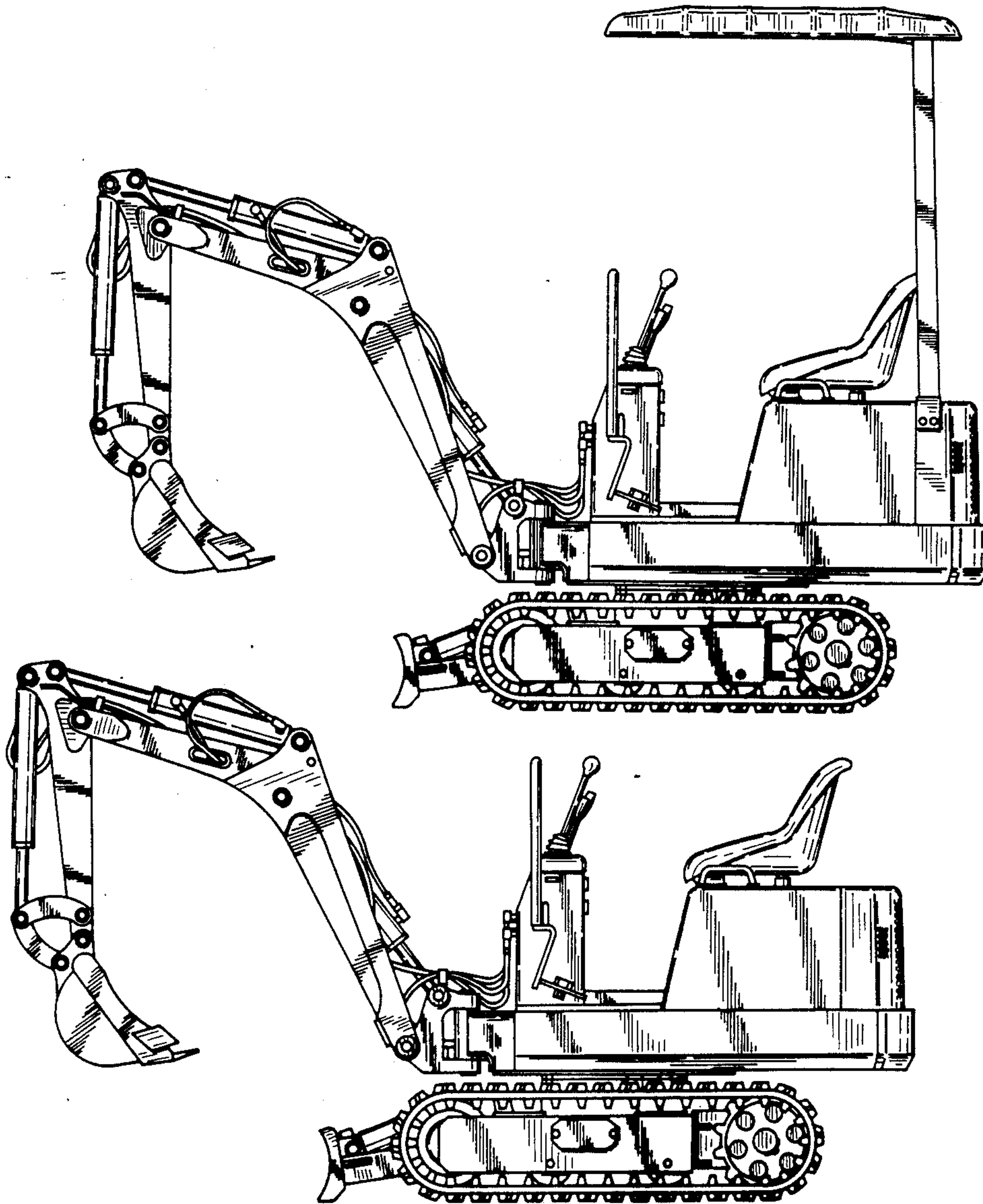
DESCRIPTION

FIG. 1 is a right side elevational view of a backhoe, showing our new design;  
FIG. 2 is a left side elevational view thereof;  
FIG. 3 is a top plan view thereof;  
FIG. 4 is a front elevational view thereof;  
FIG. 5 is a rear elevational view thereof;  
FIG. 6 is a right side elevational view of a second embodiment of the design in FIG. 1;  
FIG. 7 is a left side elevational view of FIG. 6;  
FIG. 8 is a top plan view of FIG. 6;  
FIG. 9 is a front elevational view of FIG. 6;  
FIG. 10 is a rear elevational view of FIG. 6.

[56] References Cited

U.S. PATENT DOCUMENTS

D. 273,384 4/1984 Nasu et al. .... D15/25  
4,541,161 9/1985 Shimoie ..... 37/103



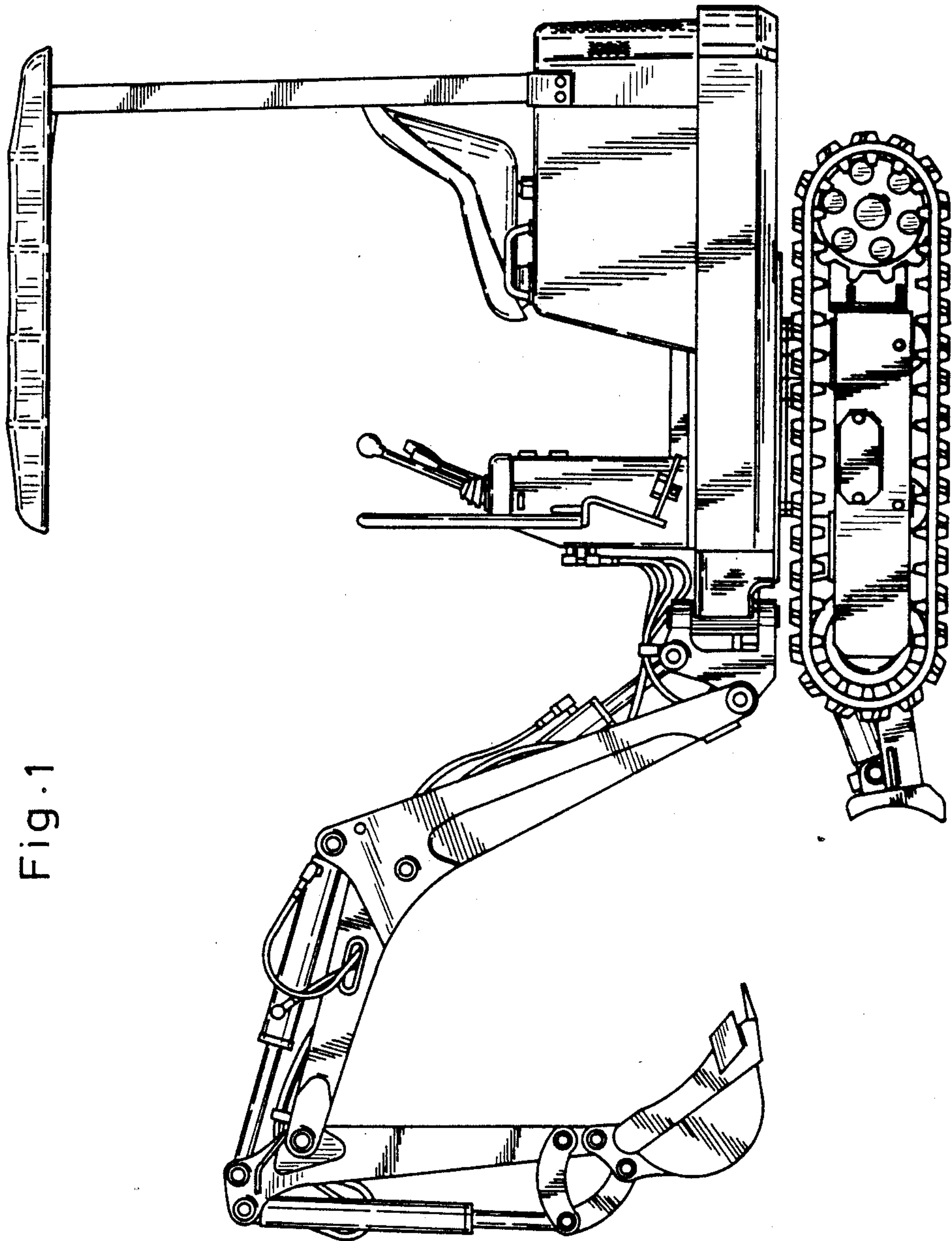


Fig. 1

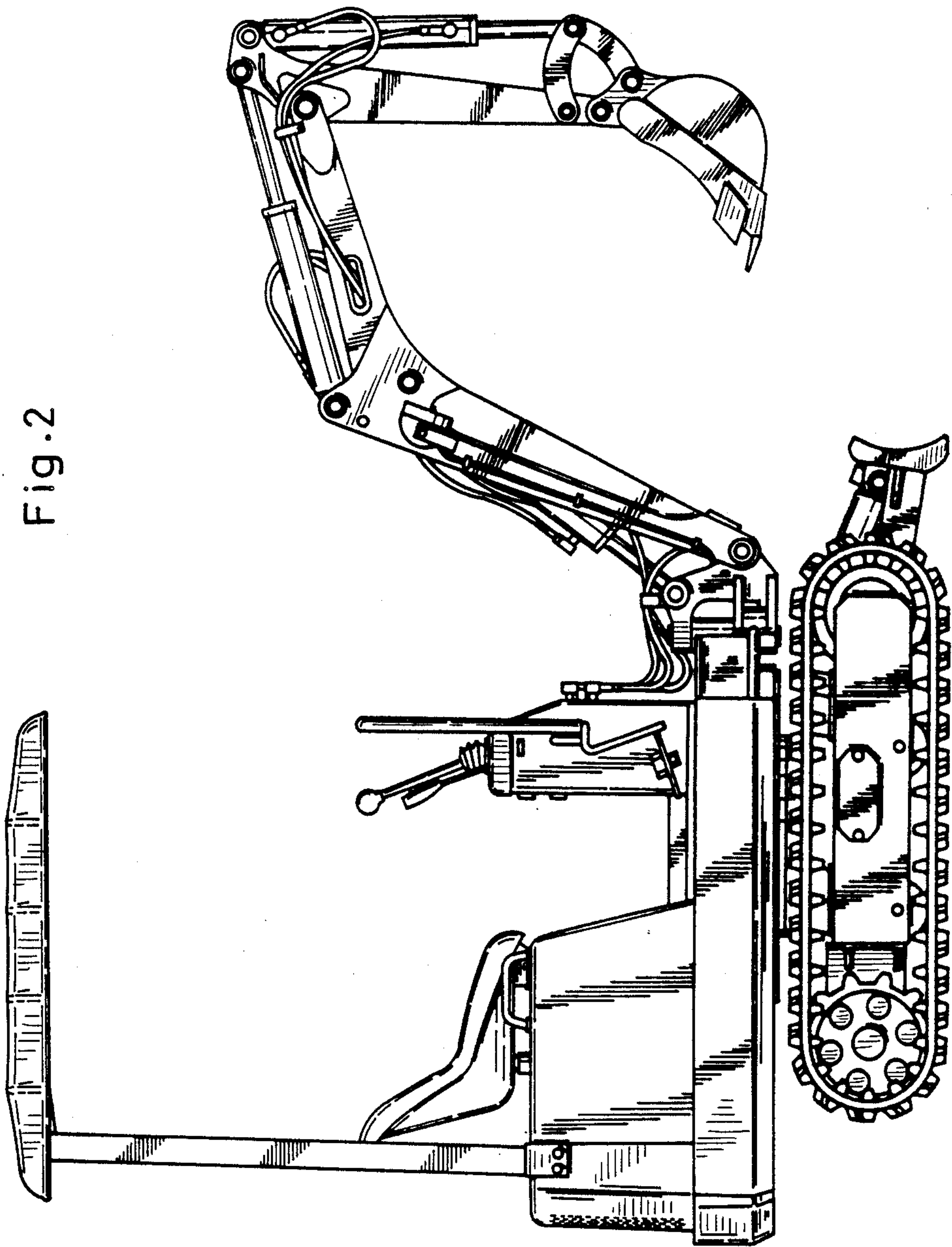


Fig. 2



Fig. 3

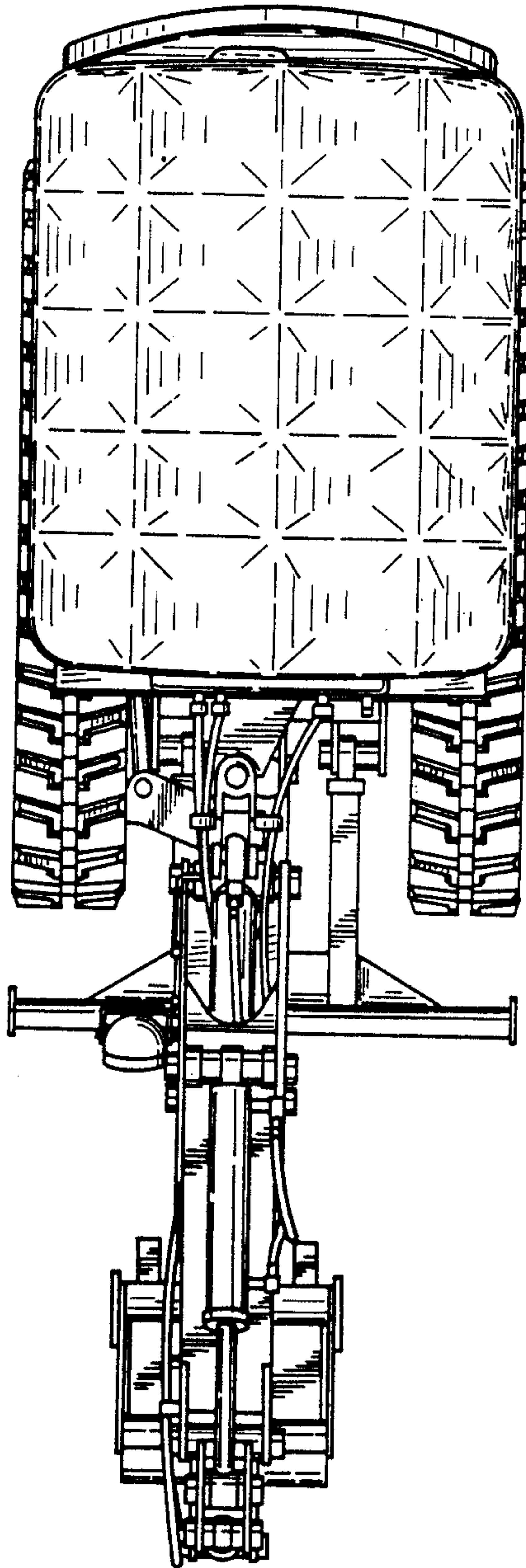


Fig. 4

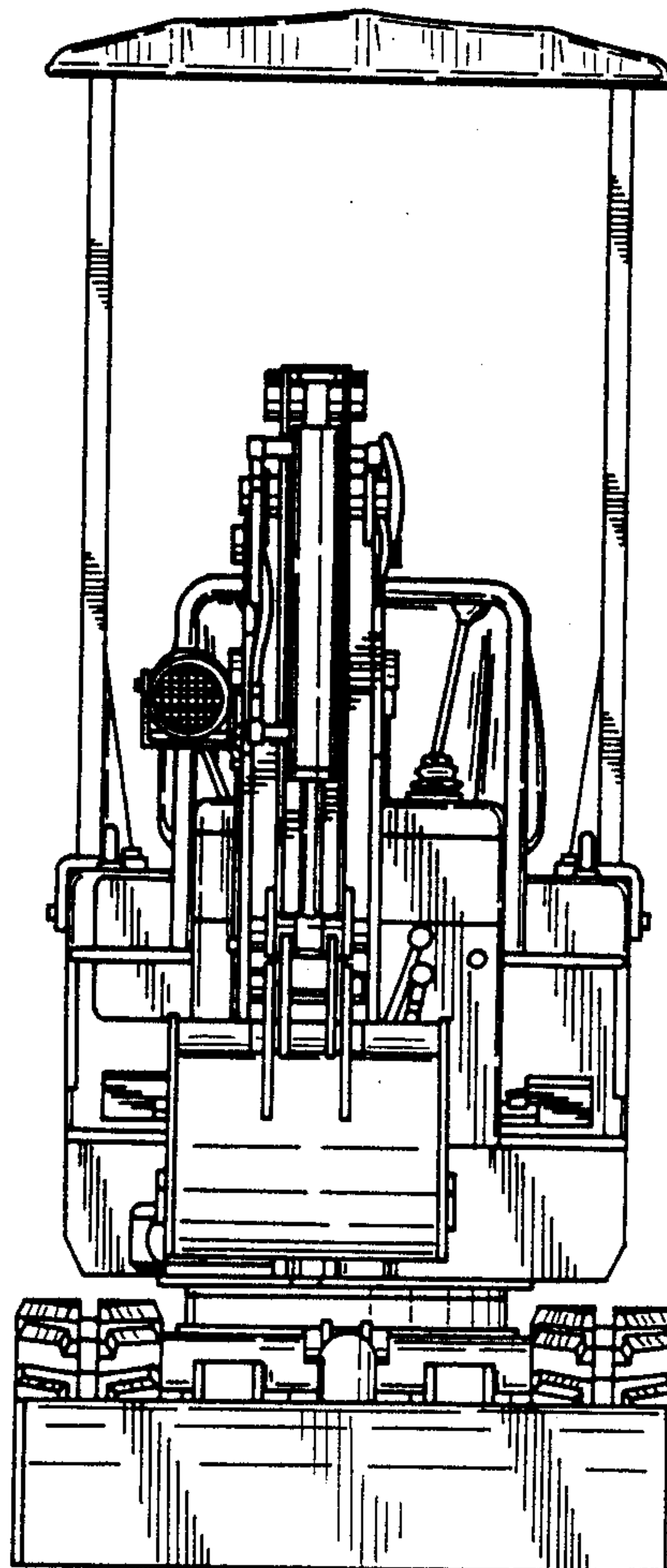
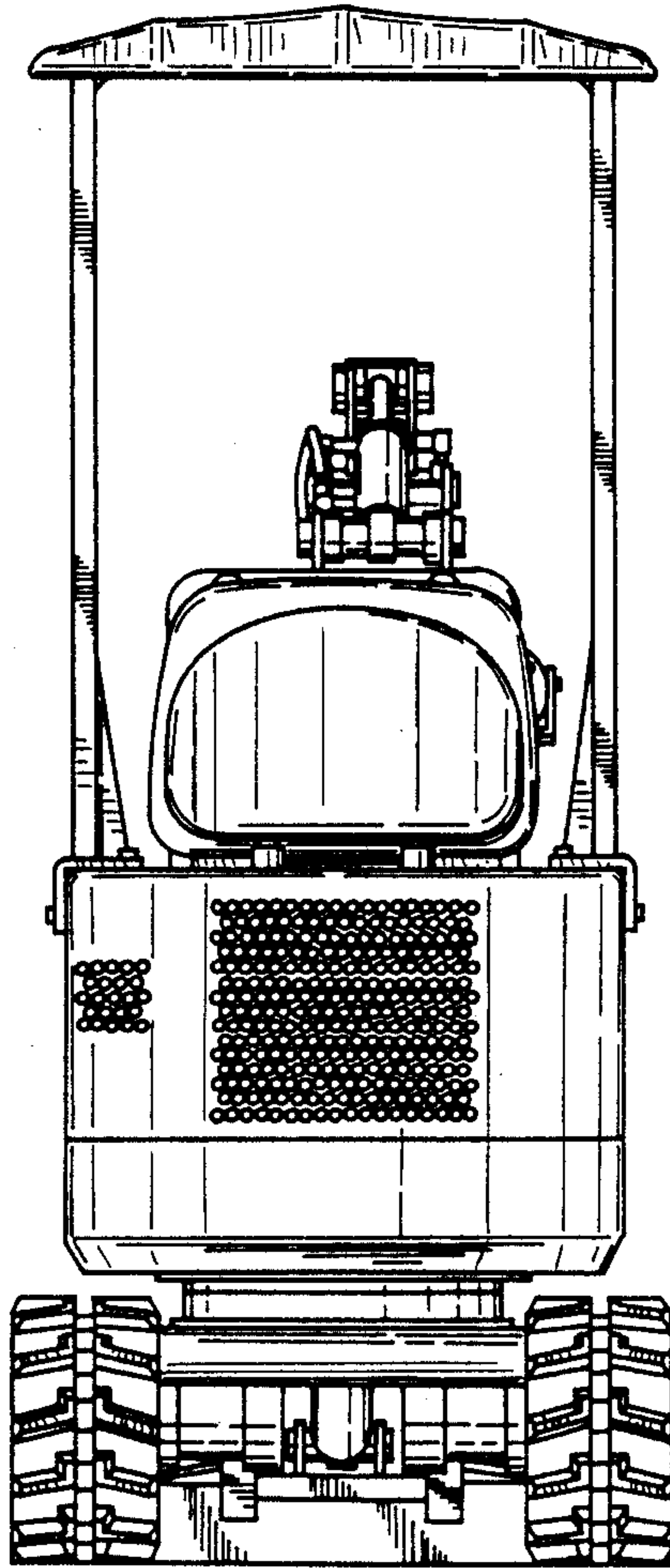


Fig. 5



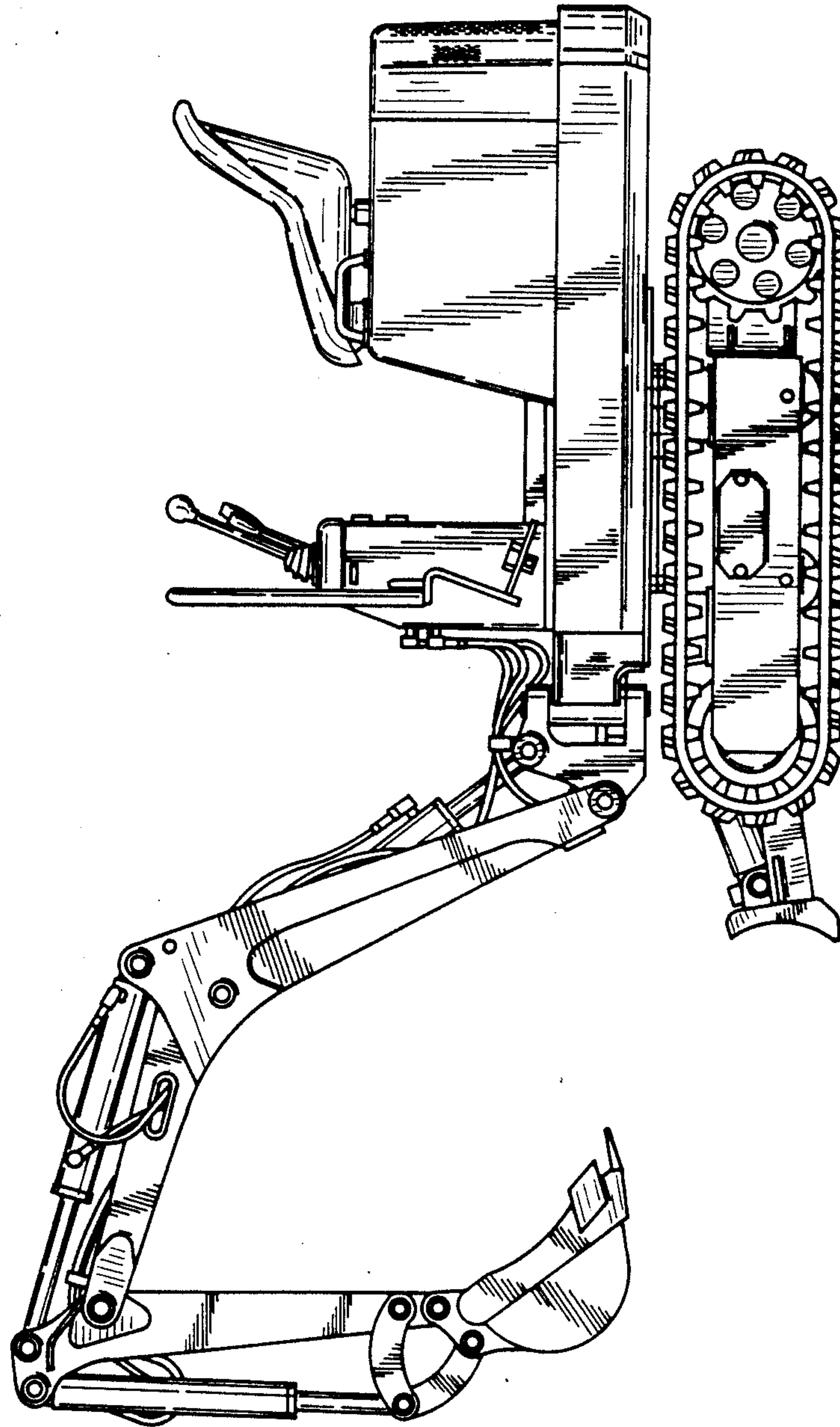


Fig. 6

Fig. 7

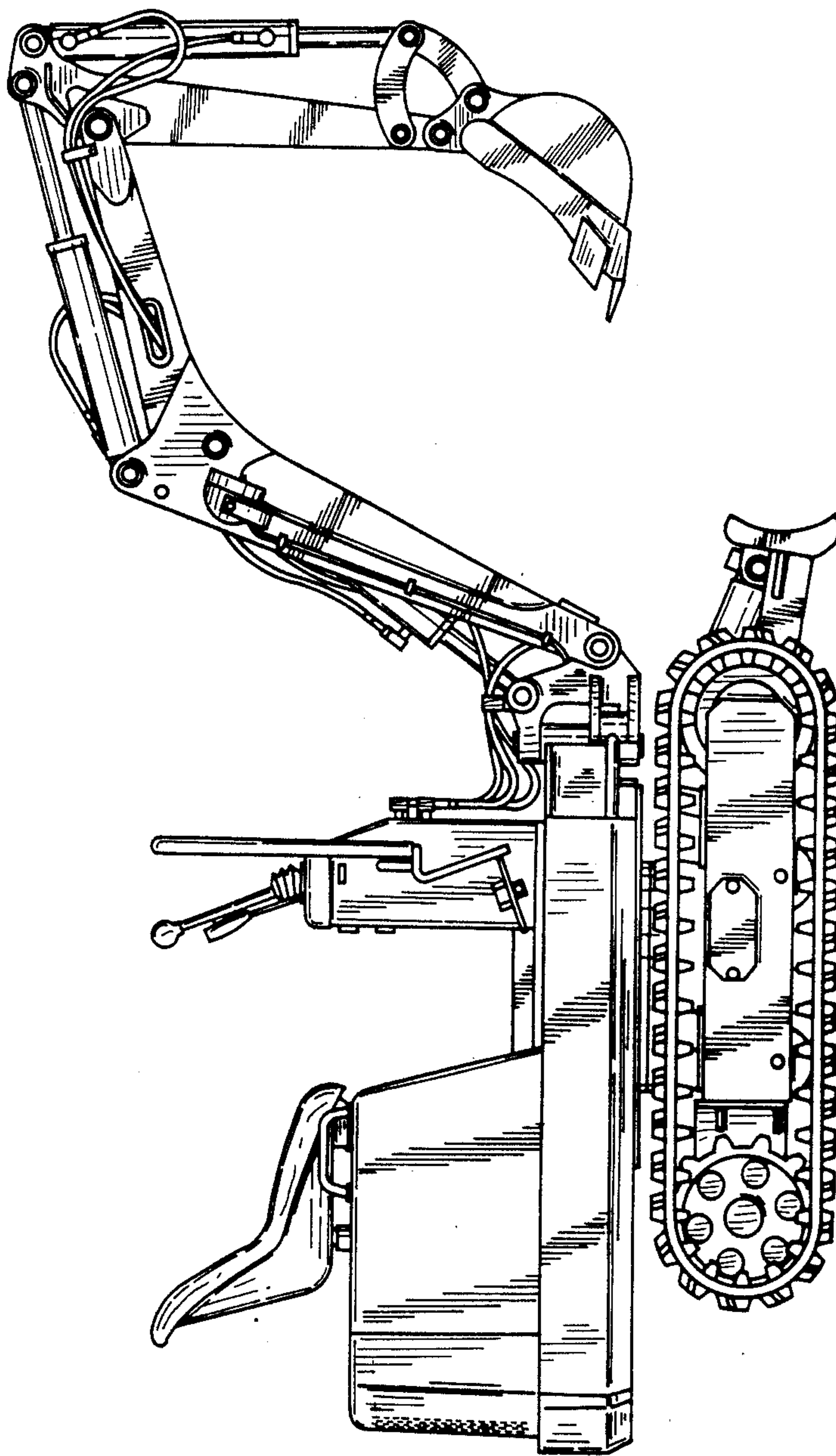




Fig. 8

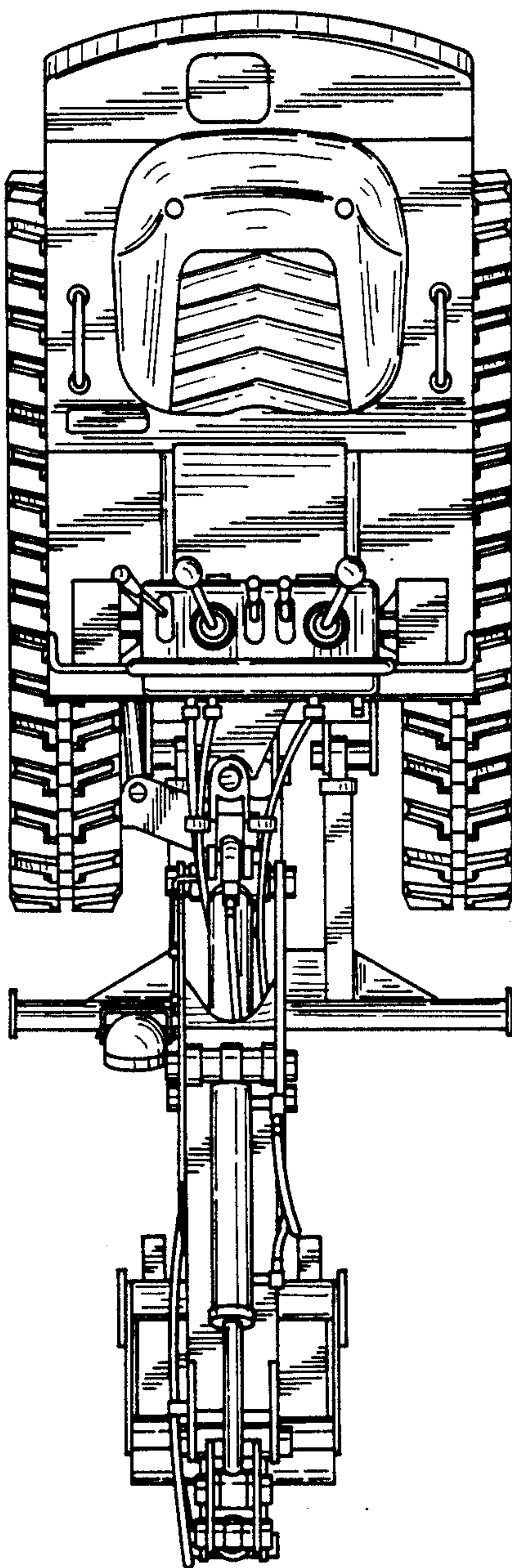


Fig. 9

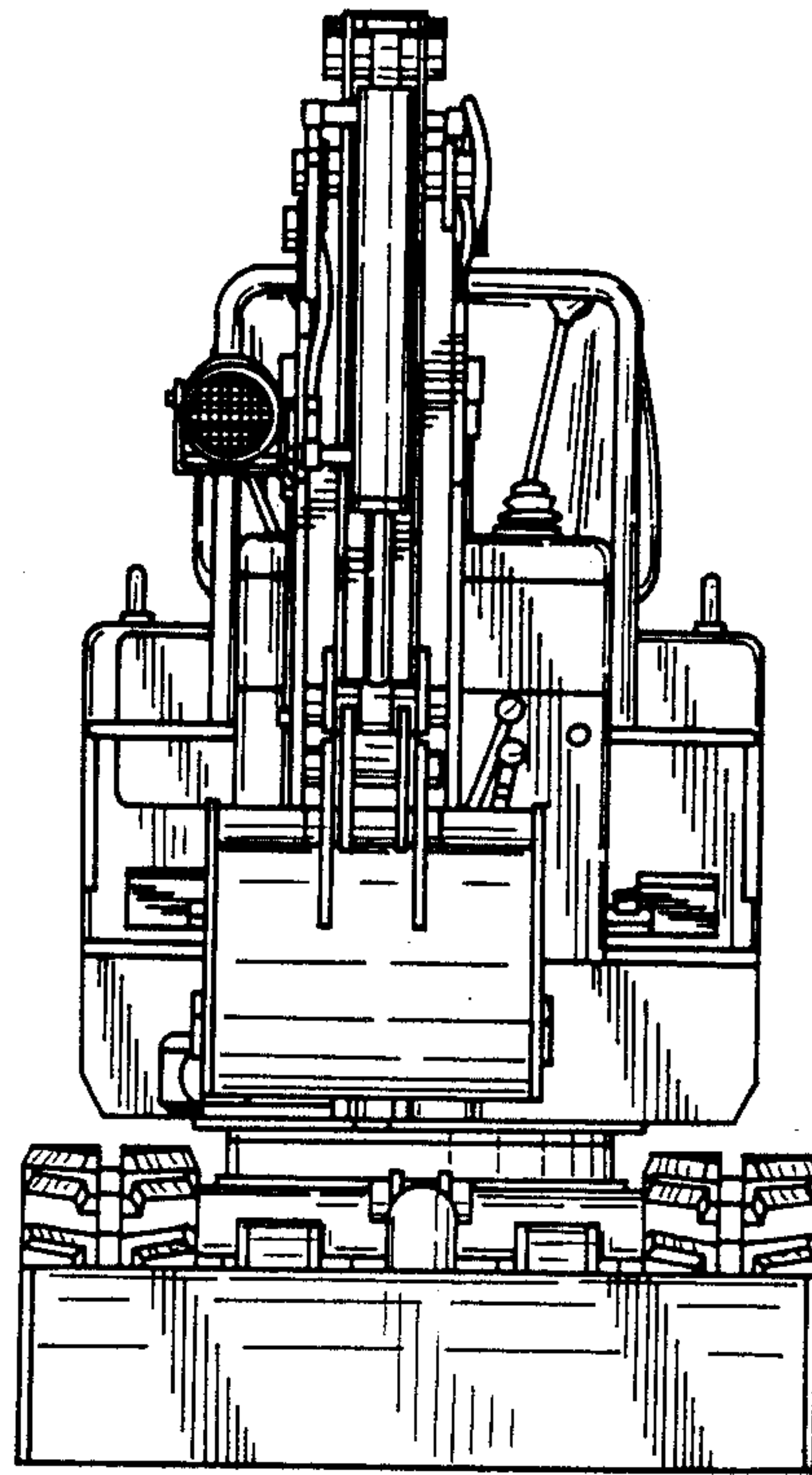


Fig. 10

