

[54] **CASTER ARM FOR A MOWING MACHINE**

[76] **Inventor:** Robert W. Hass, 14366 Azalea Rd., #74, Phelan, Calif. 92371

[**] **Term:** 14 Years

[21] **Appl. No.:** 285,946

[22] **Filed:** Dec. 19, 1988

[52] **U.S. Cl.** D15/17; D15/11

[58] **Field of Search** D15/10, 11, 14, 15,
D15/17; 56/6, 7, 503, 134

[56] **References Cited**

U.S. PATENT DOCUMENTS

3,068,630	12/1962	Caldwell	56/6
4,744,580	5/1988	Ryan	56/6
4,829,754	5/1989	Shimamura et al.	56/6

OTHER PUBLICATIONS

Long Manufacturing Co. Rotary Cutter.

Primary Examiner—B. J. Bullock

Assistant Examiner—Sandra Morris

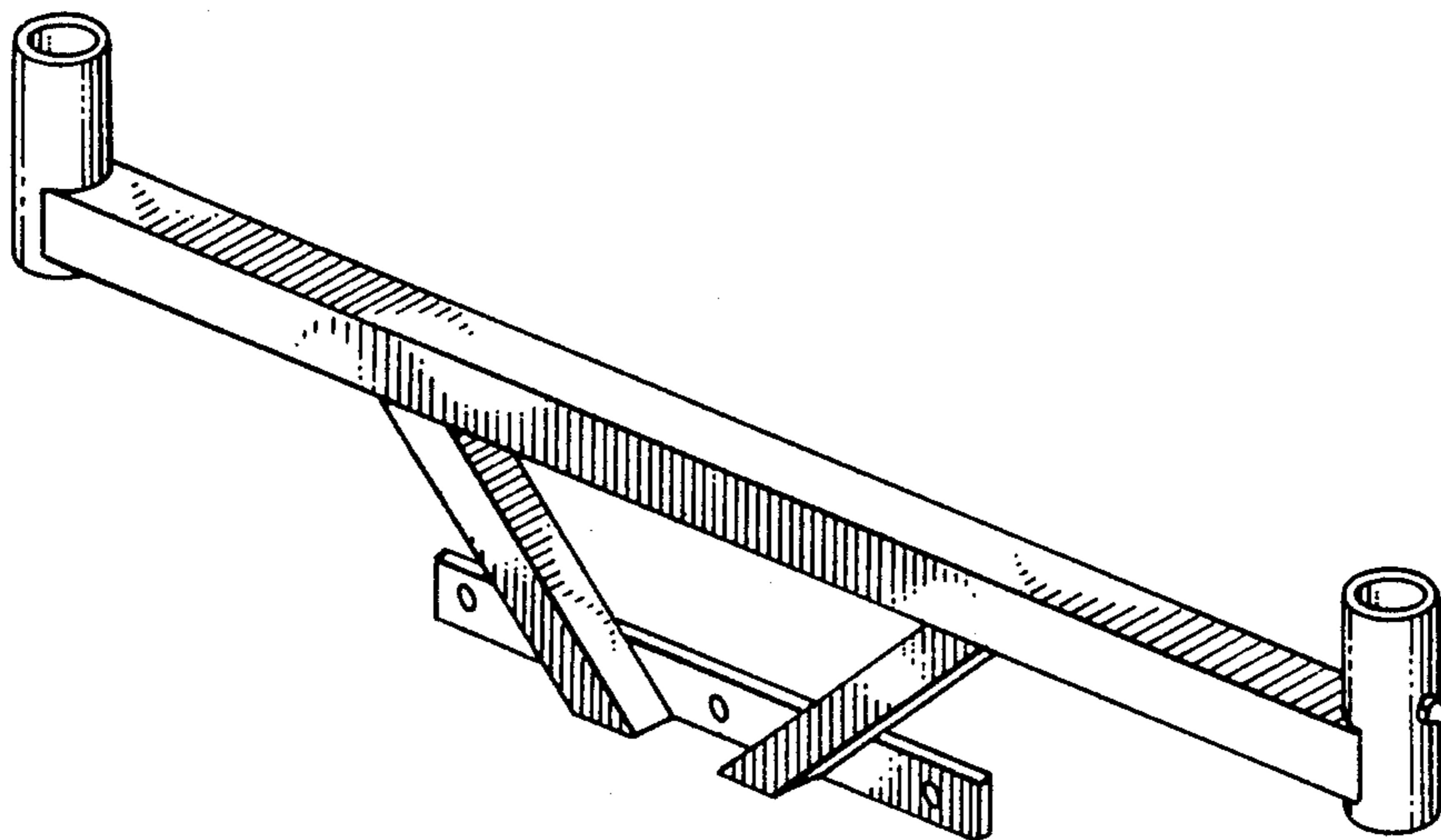
Attorney, Agent, or Firm—John H. Crowe

[57] **CLAIM**

The ornamental design for a caster arm for a mowing machine, as shown and described.

DESCRIPTION

FIG. 1 is a perspective view of a caster arm for a mowing machine, showing my new design;
FIG. 2 is a right end elevational view thereof, the opposite end being a mirror image;
FIG. 3 is a front elevational view thereof;
FIG. 4 is a top plan view thereof;
FIG. 5 is a rear elevational view thereof;
FIG. 6 is a bottom plan view thereof.



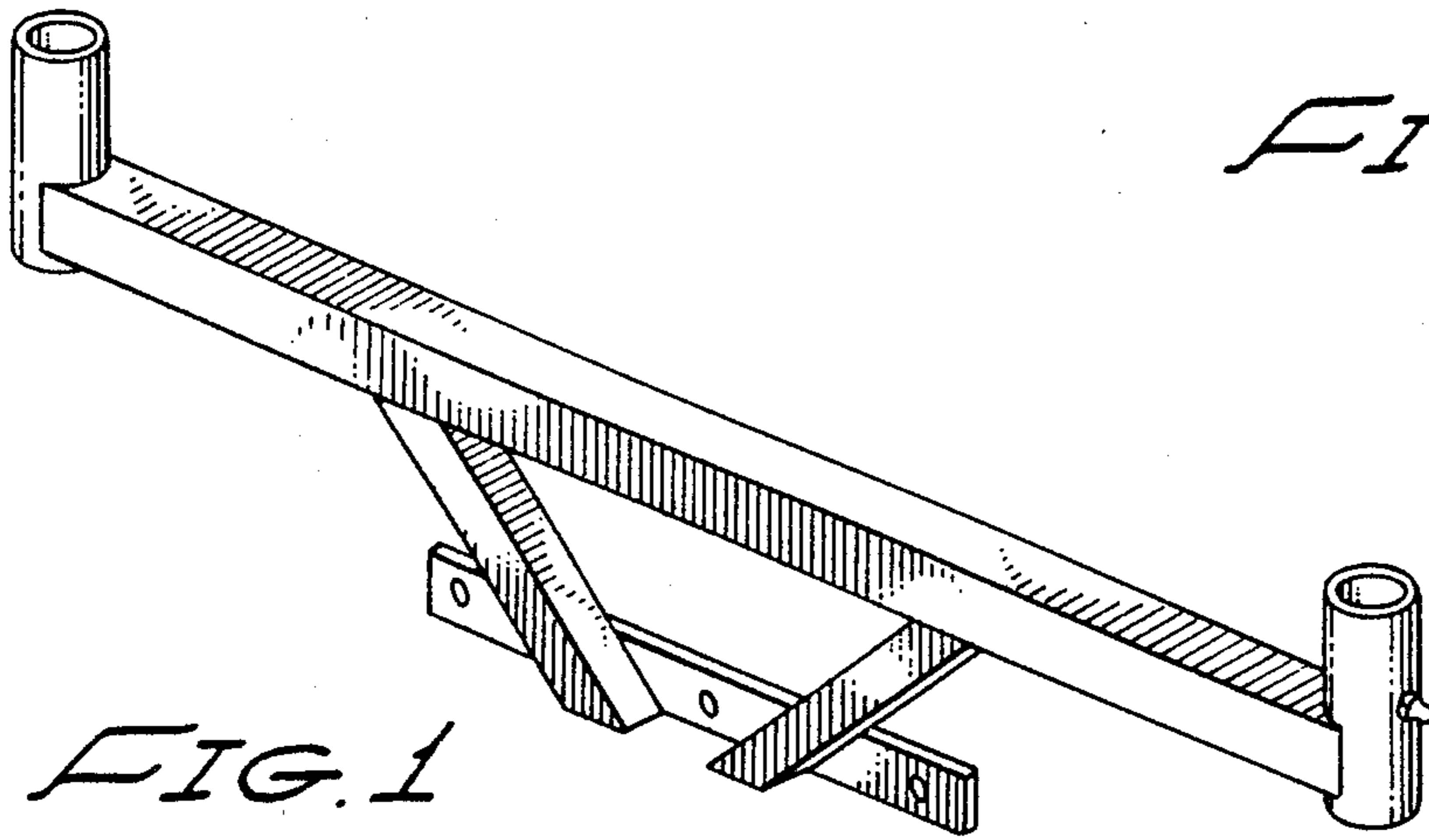


FIG. 1

FIG. 2

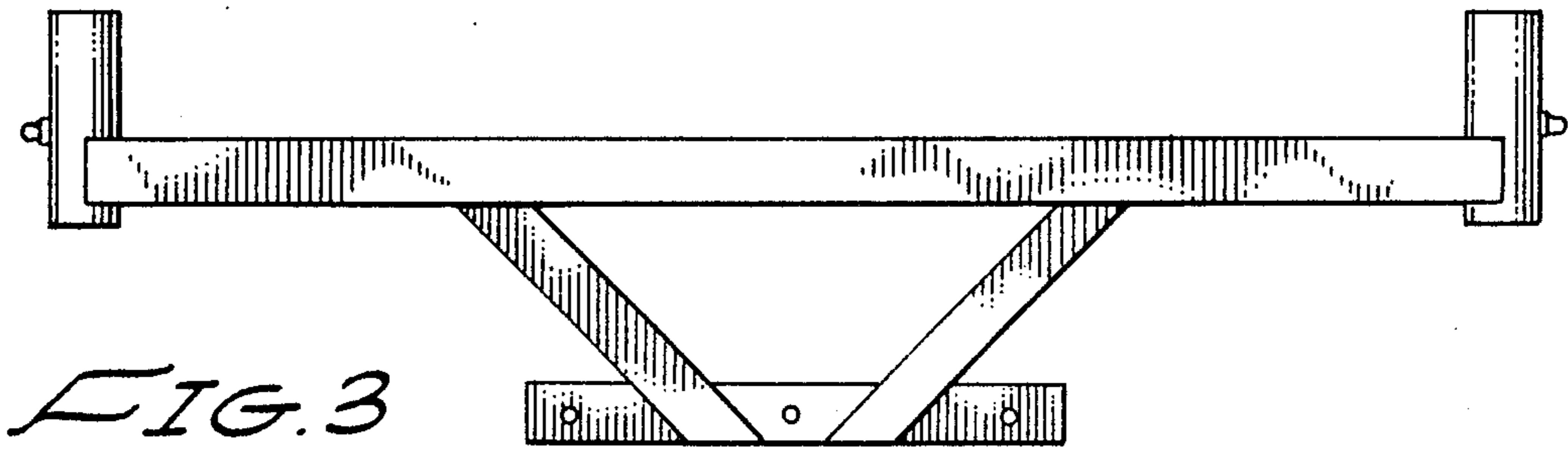
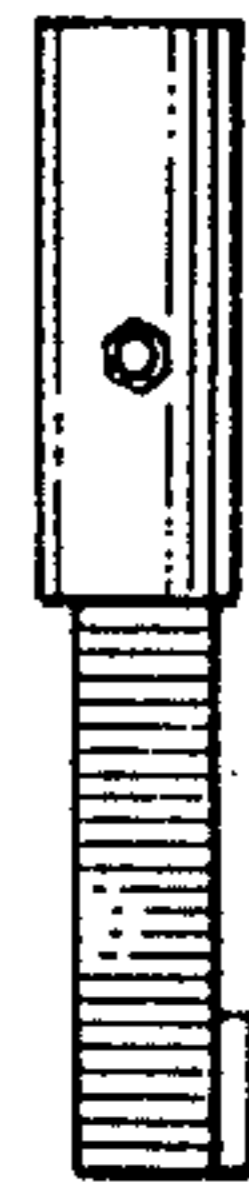


FIG. 3



FIG. 4

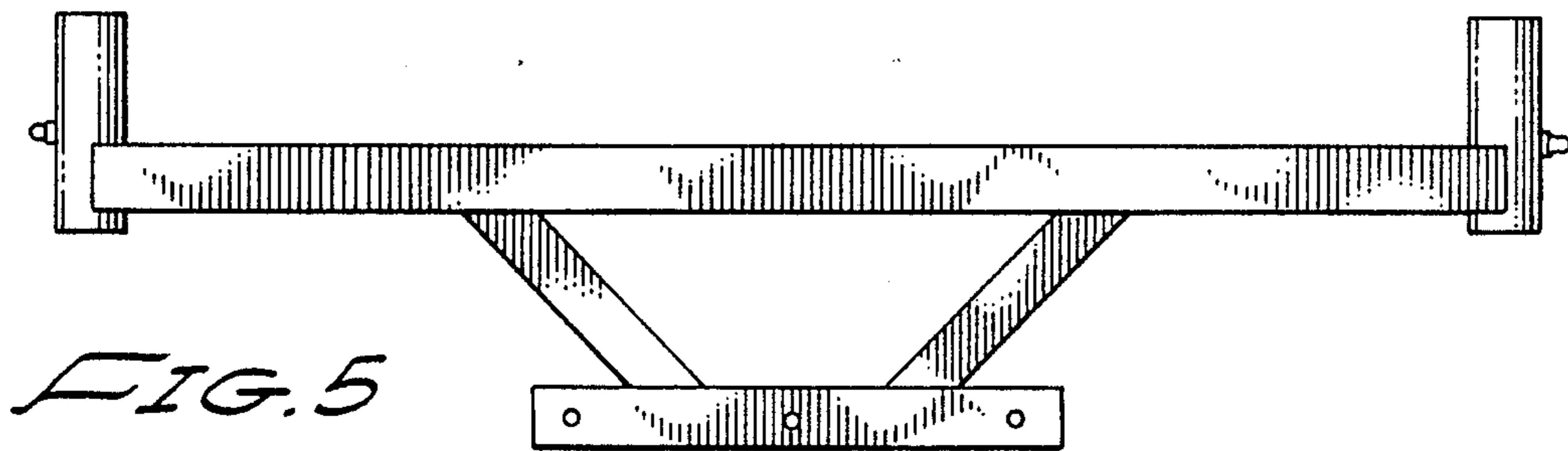


FIG. 5



FIG. 6