

[54] LAWN MOWER HOUSING OR THE LIKE

D. 184,804	4/1959	Ellies	D15/17
4,232,505	11/1980	Walto	56/12.7
4,351,143	9/1982	Lessig, III	56/17.5

[75] Inventors: Dallas W. Jones, New Hartford; Lauren J. Young, Poland, both of N.Y.; Matthew F. Orr, Shawnee Mission, Kans.

Primary Examiner—B. J. Bullock
Assistant Examiner—Sandra Morris
Attorney, Agent, or Firm—Shlesinger & Myers

[73] Assignee: Trim-A-Lawn Corporation, Utica, N.Y.

[57] CLAIM

[**] Term: 14 Years

The ornamental design for a lawn mower housing or the like, as shown and described.

[21] Appl. No.: 275,560

DESCRIPTION

[22] Filed: Nov. 23, 1988

[52] U.S. Cl. D15/17

[58] Field of Search D15/14, 15, 16, 17;
56/229, 252, 255, 294, 320.1

FIG. 1 is a perspective view of a lawn mower housing or the like, showing our new design;
FIG. 2 is a rear elevational view thereof;
FIG. 3 is a bottom plan view thereof;
FIG. 4 is a left side elevational view thereof.
The right side elevational view of our new design is a mirror image of the left side elevational view shown in FIG. 4.

[56] References Cited

U.S. PATENT DOCUMENTS

D. 163,643	6/1951	Shaw	D15/17
D. 166,267	3/1952	McMaster	D15/17
D. 177,235	3/1956	Huff	D15/17

Broken lines depicting the wheels and the front wheel assembly are for illustrative purposes only and form no part of the claimed design.

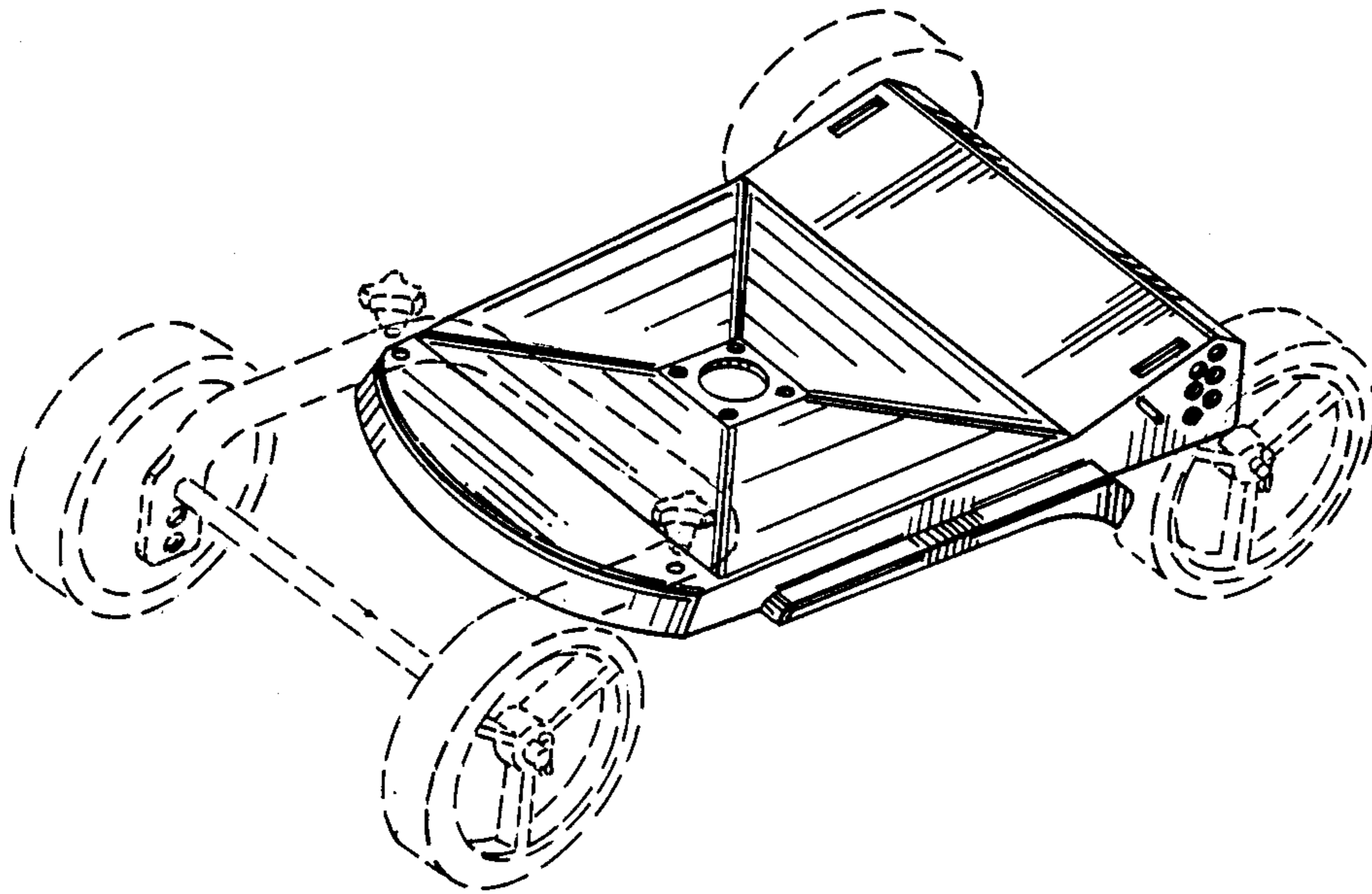


FIG. 1

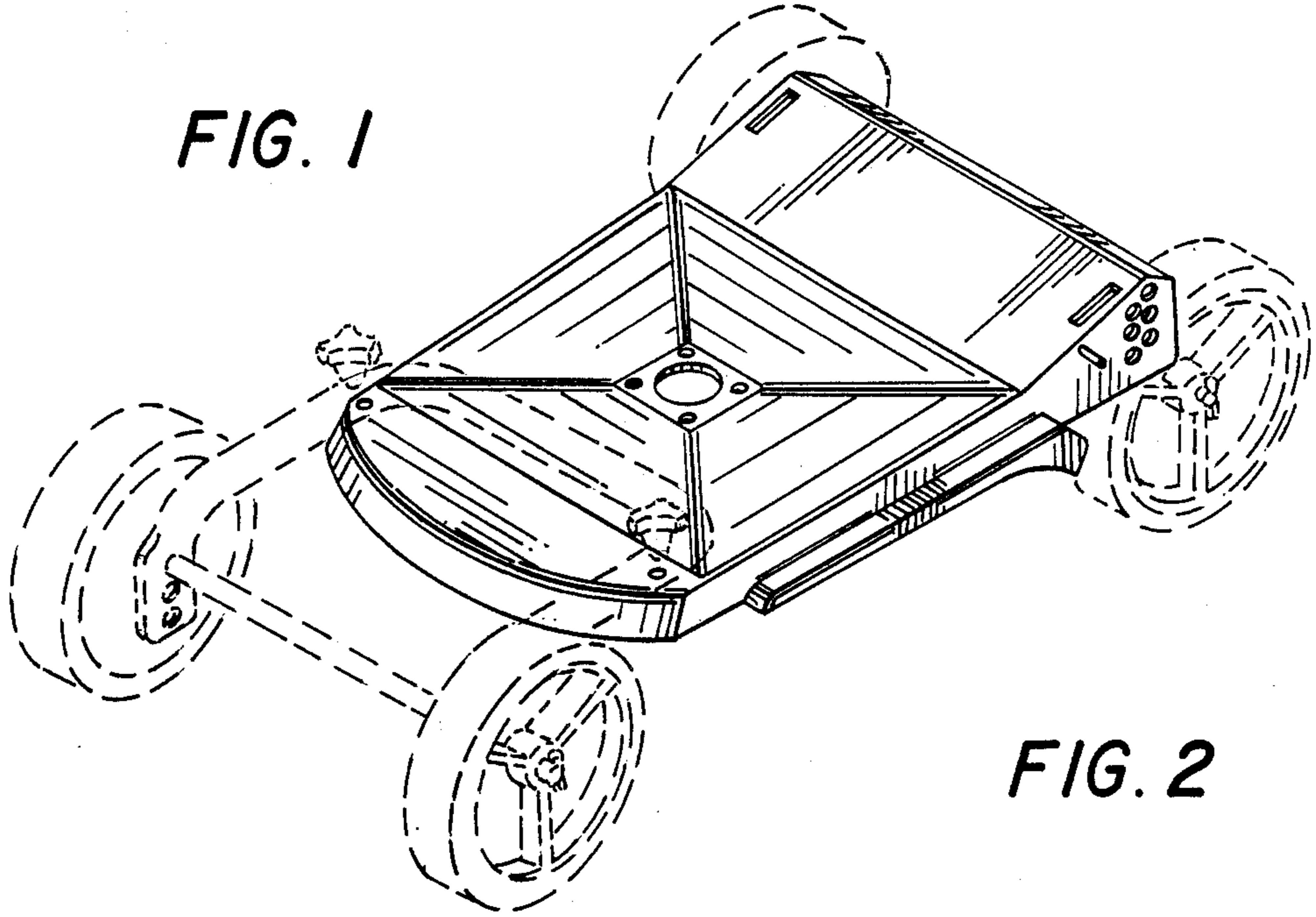


FIG. 2

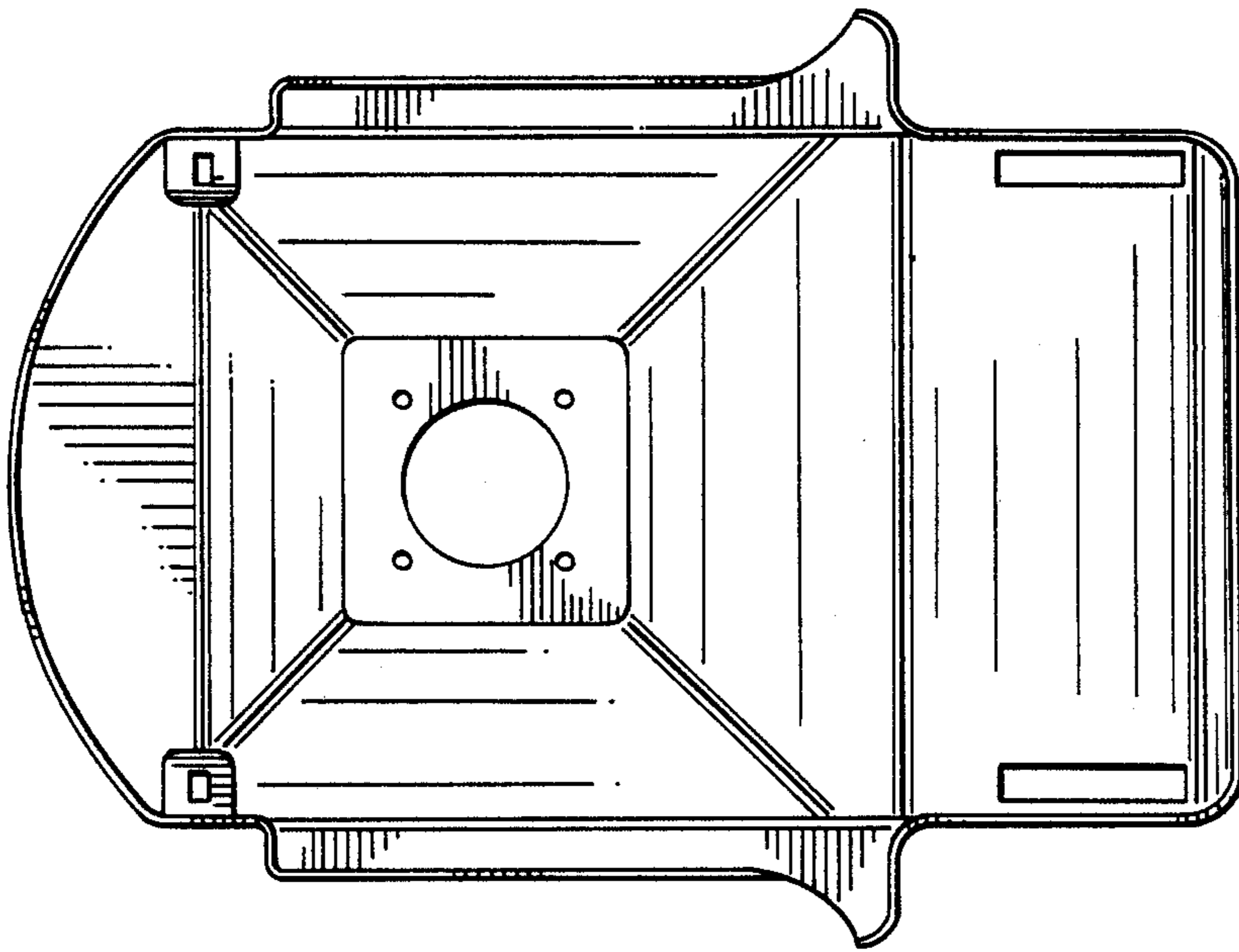
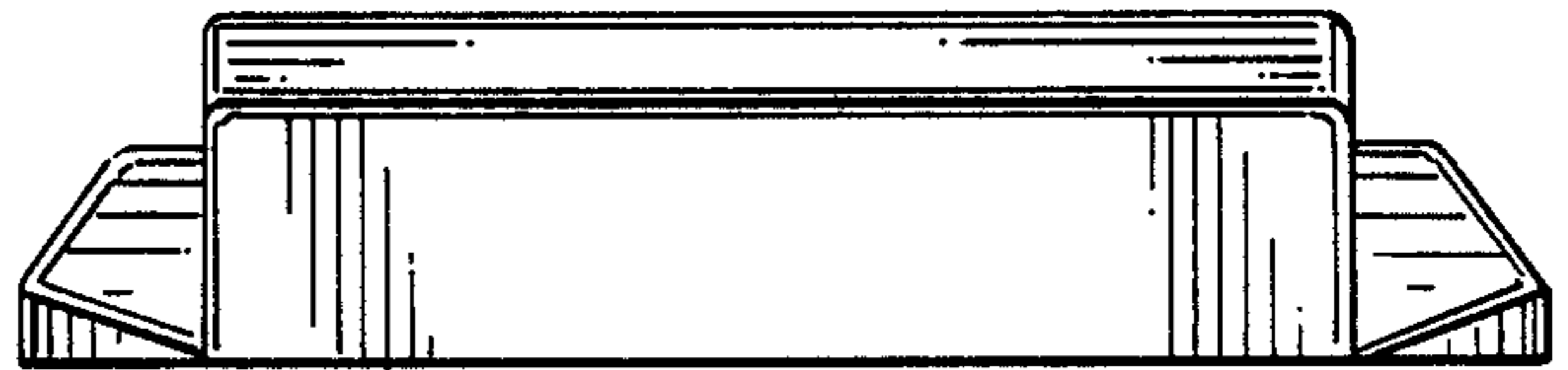


FIG. 3

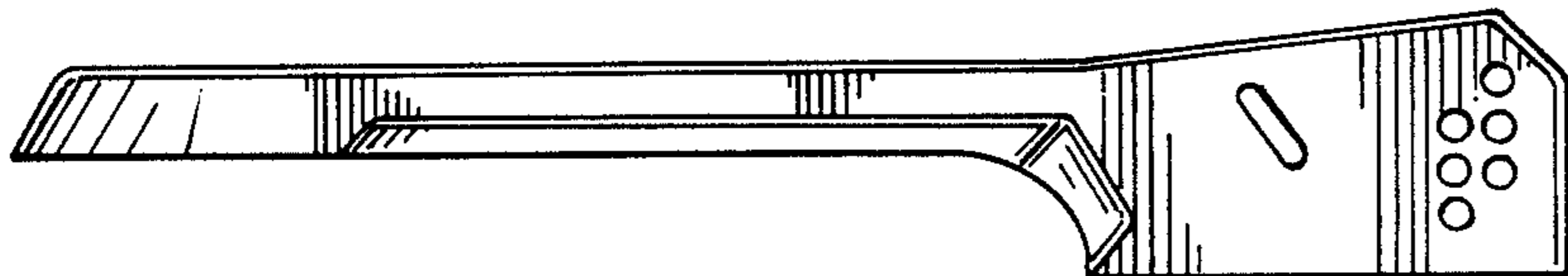


FIG. 4