

[54] **SUMP-RISER HOUSING**
[76] **Inventor: Michael C. Webb, 15 E. Uwchlan Ave., Exton, Pa. 19341**
[**] **Term: 14 Years**
[21] **Appl. No.: 254,129**
[22] **Filed: Oct. 6, 1988**
[52] **U.S. Cl. D15/7**
[58] **Field of Search D15/7, 8, 9; 310/87; 73/40.1, 40, 40.5 R, 49.2; 417/411, 423.3, 423.14, 434, 367, 424, 368, 366; 415/199.3, 199.2, 214.1**

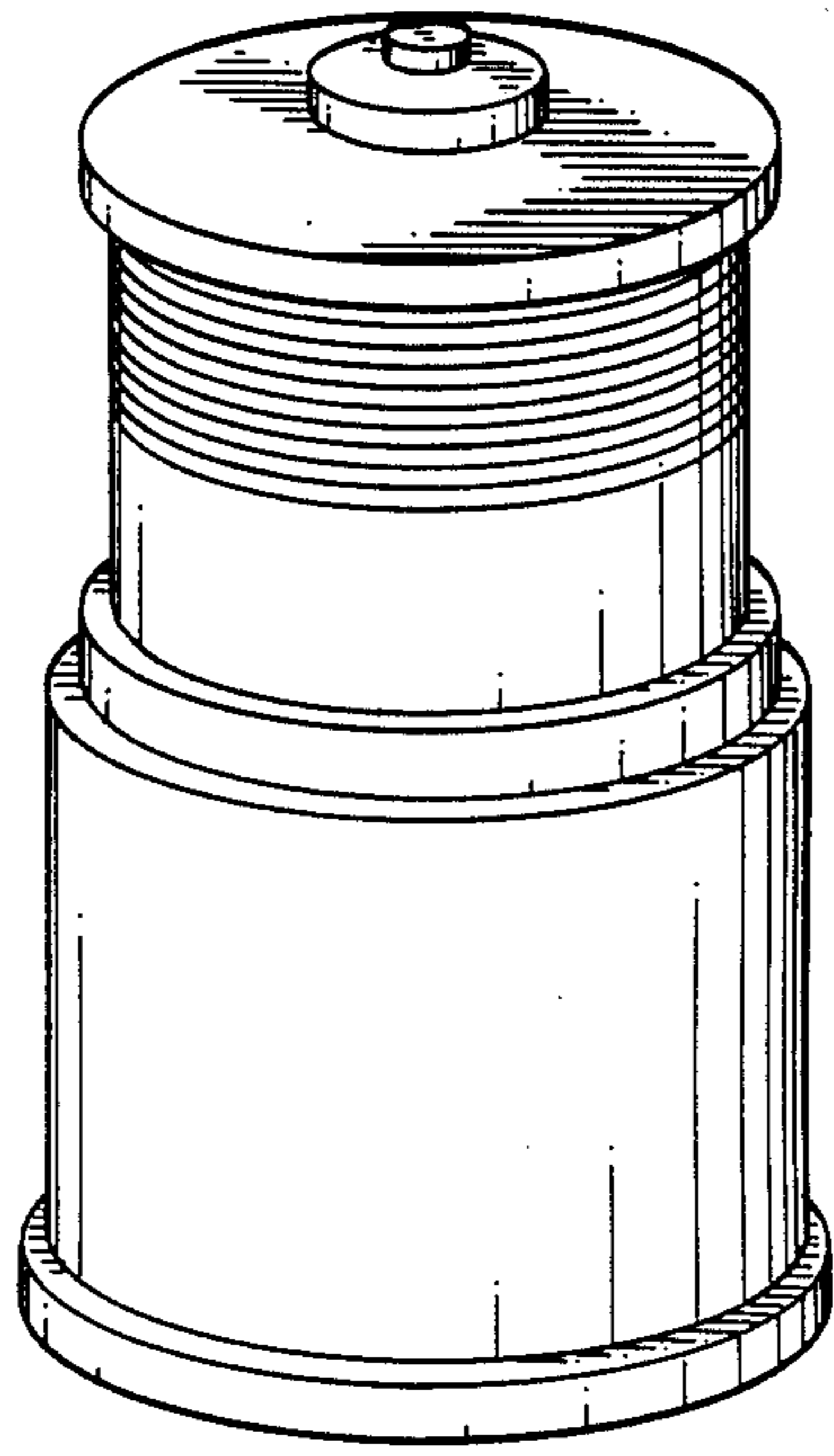
2,540,708 2/1951 Bowden et al. 417/231
3,093,083 6/1963 Nielsen 417/423.14 X
3,407,739 10/1968 Myers 417/423.14
3,726,606 4/1973 Peters 417/411
4,293,288 10/1981 Weber 417/423.3 X
4,632,643 12/1986 Nielsen 310/87 X

Primary Examiner—A. Hugo Word
Assistant Examiner—Doris V. Coles
Attorney, Agent, or Firm—Norman St. Landau

[56] **References Cited**
U.S. PATENT DOCUMENTS
D. 229,235 11/1973 Bunch D15/7
1,714,734 5/1929 Skidmore, Jr. 417/424.1 X

[57] **CLAIM**
The ornamental design for a sump-riser housing, as shown and described.

DESCRIPTION
FIG. 1 is a side elevational view of a sump-riser housing, showing my new design;
FIG. 2 is a top plan view thereof;
FIG. 3 is a bottom plan view thereof; and,
FIG. 4 is a perspective view thereof.



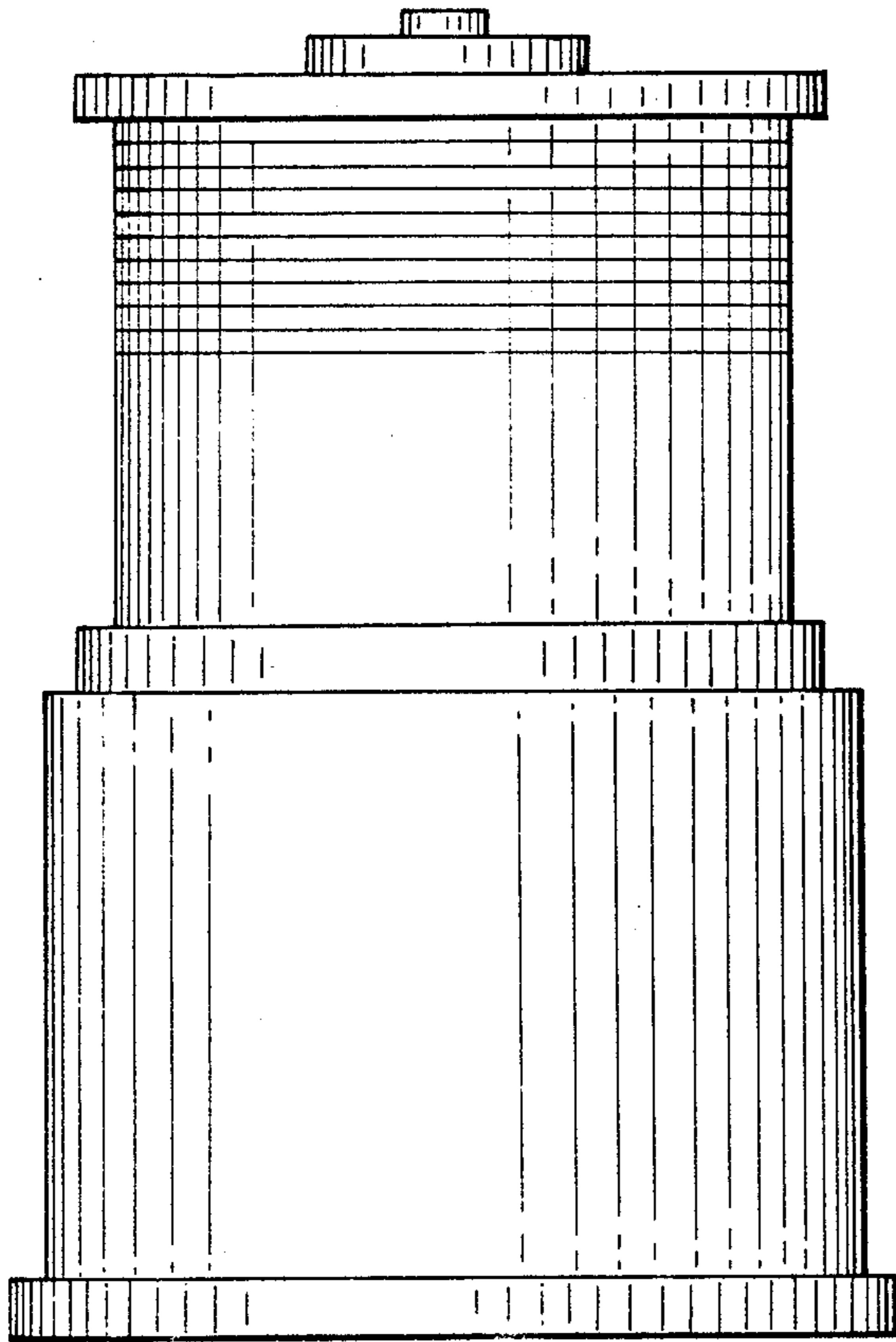


FIG. 1

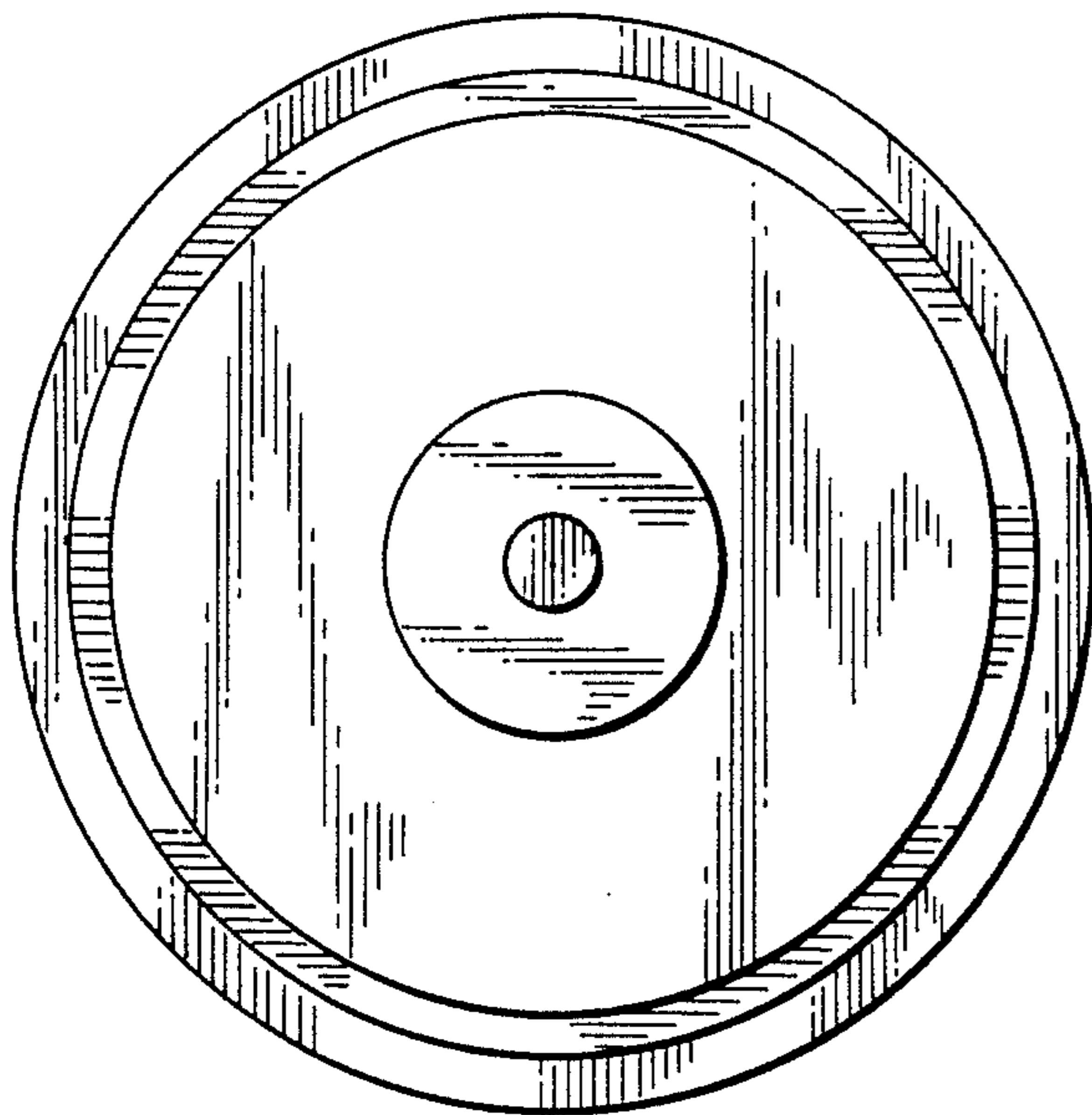


FIG. 2

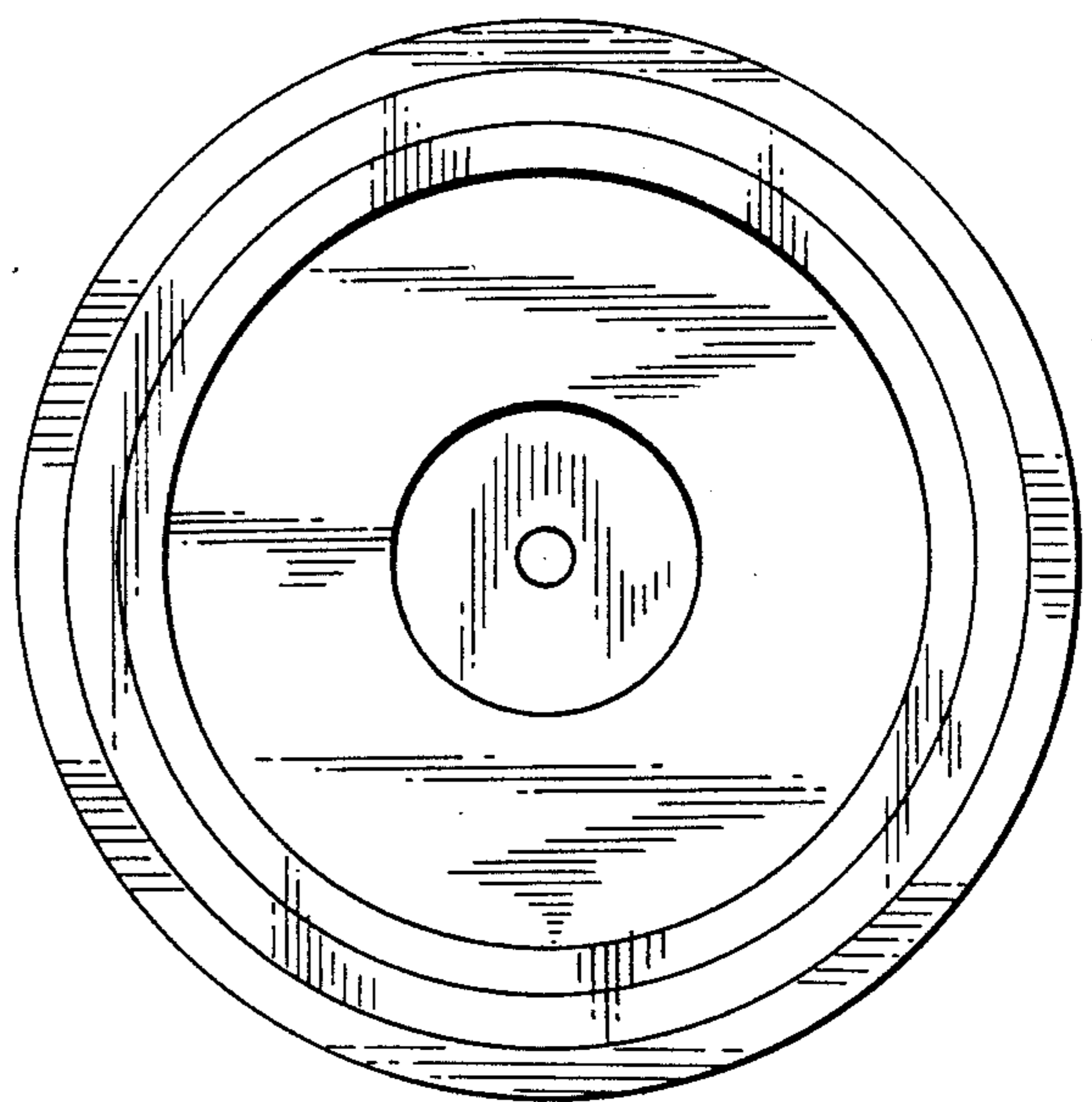


FIG. 3

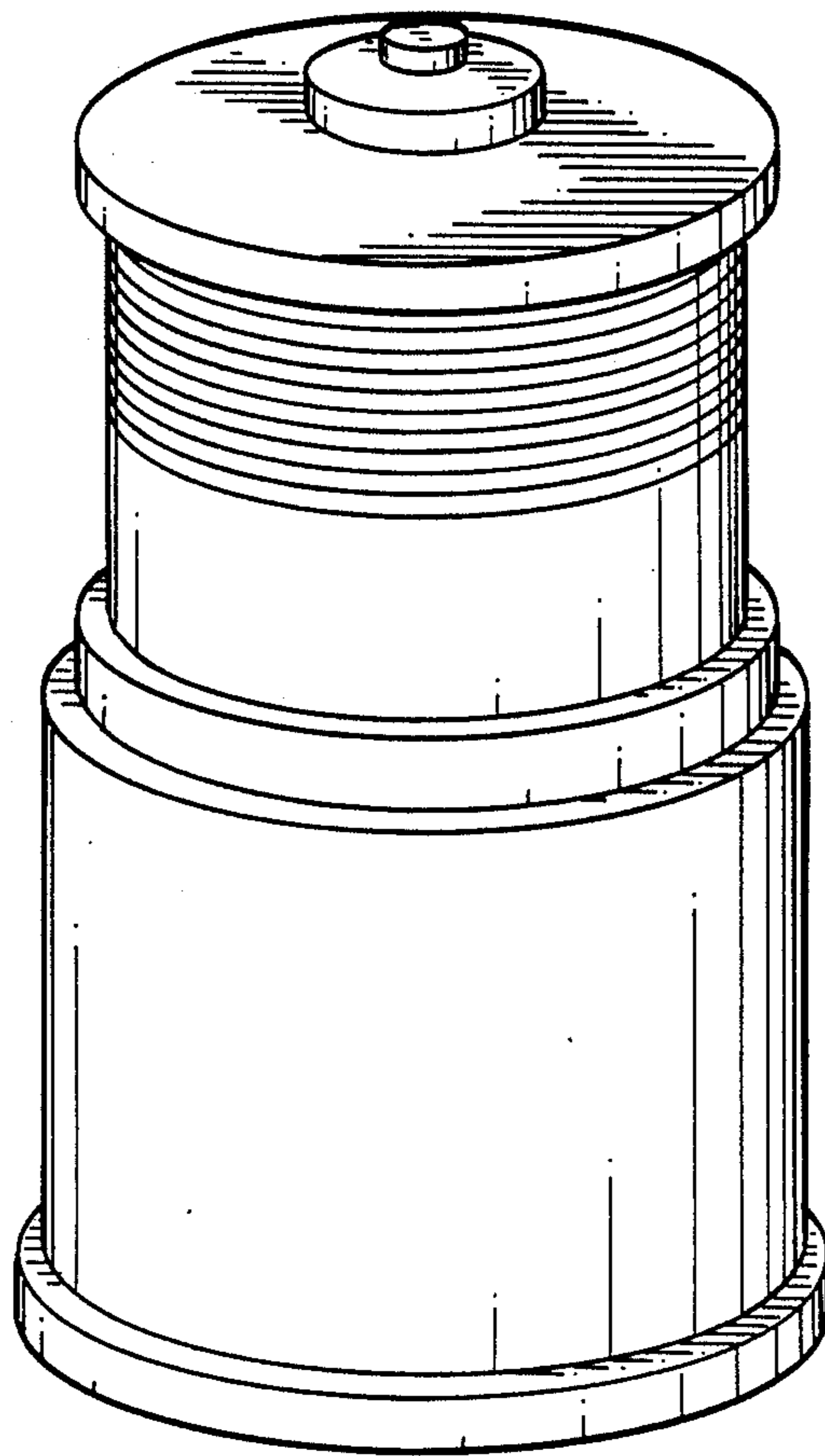


FIG. 4