

[54] PEDESTAL FOR A MOBILE TELEPHONE OR SIMILAR ARTICLE

[76] Inventor: David M. Sigurdson, 8410 Prine, Magnolia, Tex. 77355

[**] Term: 14 Years

[21] Appl. No.: 371,018

[22] Filed: Jun. 26, 1989

[52] U.S. Cl. D14/251; 381/86; D14/240; D14/138; D14/253; D14/140

[58] Field of Search 381/86; 379/446, 454, 379/455, 452; D34/31; D14/240, 138, 140, 250, 251

[56] References Cited

U.S. PATENT DOCUMENTS

D. 216,432	1/1970	Gnosz	D34/31
D. 230,014	1/1974	Edgell, Sr.	D34/31
D. 298,879	12/1988	Corbett	D34/31

1,794,052	2/1931	Anderson et al.	D34/31
2,007,597	7/1935	Dean	D34/31 X
2,535,330	12/1950	Stone	D14/251 X
3,320,366	5/1967	Plummer	D14/240 X
4,056,696	11/1977	Meyerle et al.	381/86 X
4,060,697	11/1977	Neal	381/86 X
4,455,454	6/1984	Umobayashi	381/86 X
4,875,229	10/1989	Palett et al.	381/86 X

Primary Examiner—Horace B. Fay, Jr.
Attorney, Agent, or Firm—James A. Bargfrede

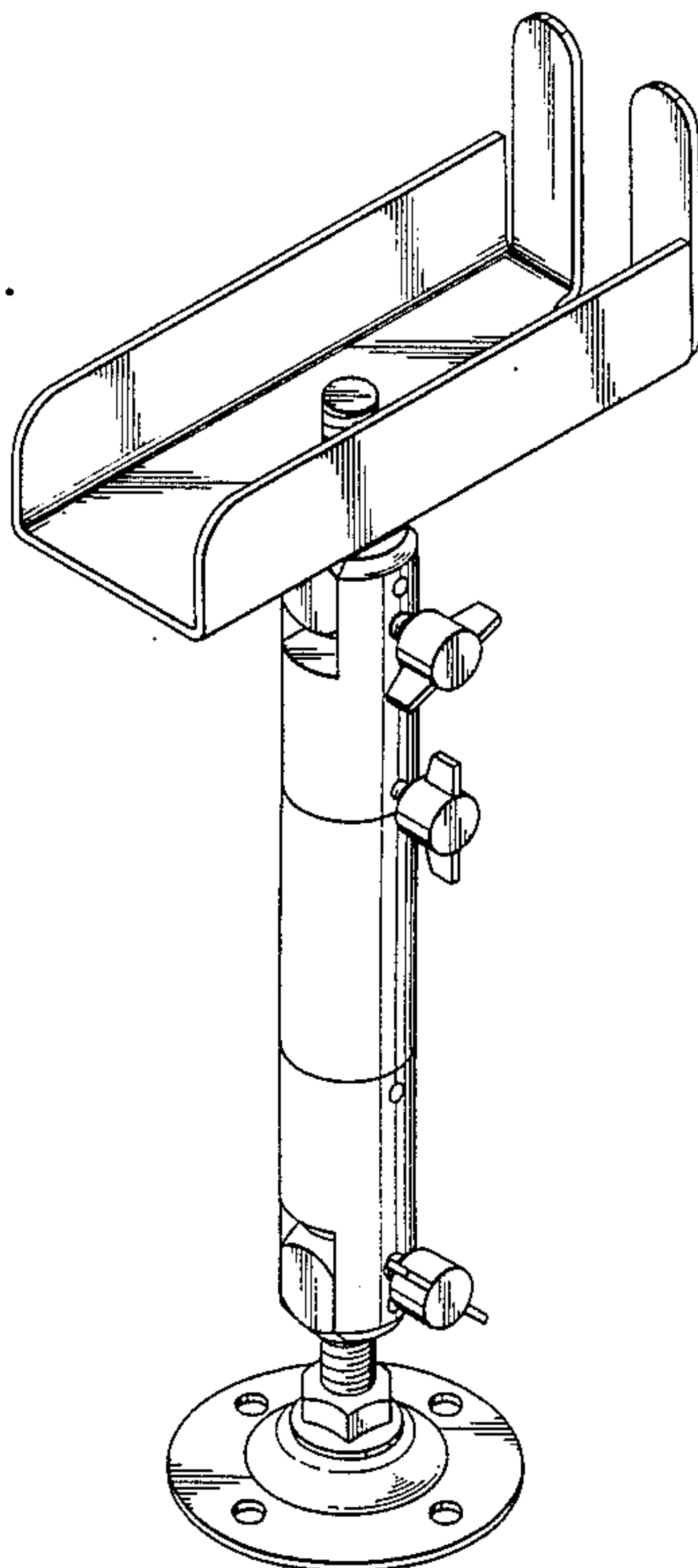
[57] CLAIM

The ornamental design for a pedestal for a mobile telephone or similar article, as shown and described.

DESCRIPTION

FIG. 1 is a front, top and right side of a pedestal for a mobile telephone or similar article showing my new design; and

FIG. 2 is a bottom, rear, and left side perspective view thereof.



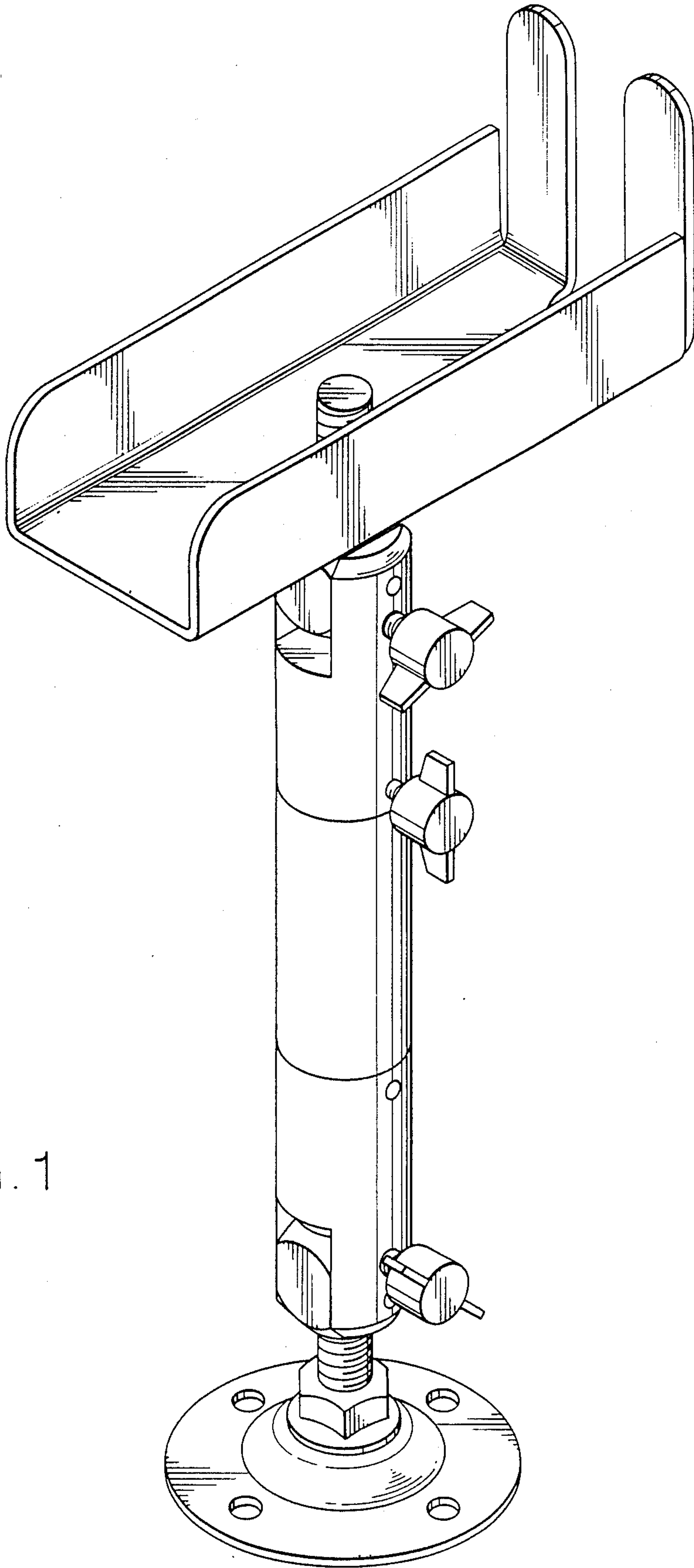


FIG. 1

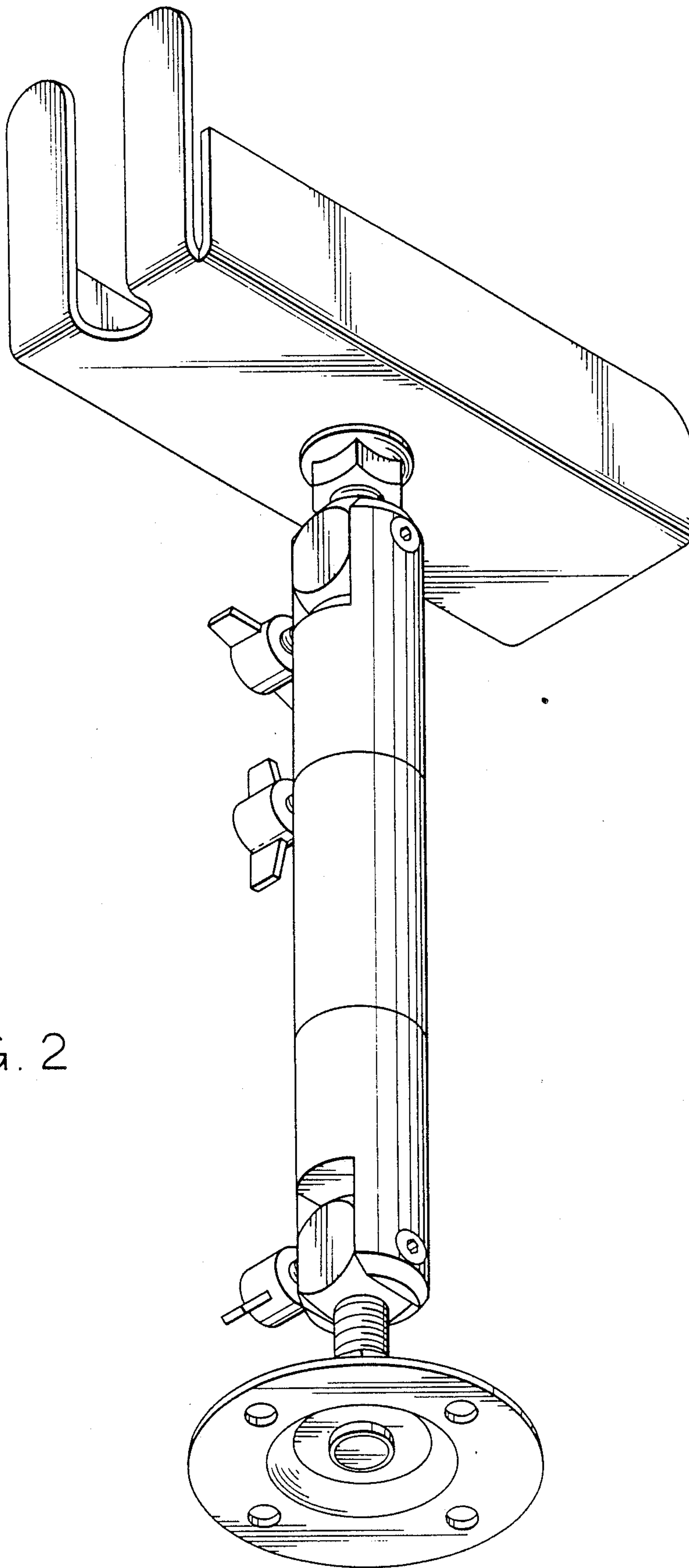


FIG. 2