

[54] **MICROPHONE**

4,273,969 6/1981 Foley et al. .... 379/430  
4,289,938 9/1981 Zichy ..... 381/169 X

[76] **Inventor: Rolf von Hall, 2575 Palisade Ave.,  
Bronx, N.Y. 10463**

*Primary Examiner*—Theodore M. Shooman  
*Attorney, Agent, or Firm*—Alan H. Levine

[\*\*] **Term: 14 Years**

[57] **CLAIM**

[21] **Appl. No.: 166,158**

The ornamental design for a microphone, as shown and described.

[22] **Filed: Mar. 10, 1988**

[52] **U.S. Cl. .... D14/225; D14/227**

[58] **Field of Search .... D14/124, 137, 225-229,  
D14/299, 240, 249; 381/68.7, 91, 122, 155, 158,  
159, 168-170, 205; 379/430; 455/89, 90, 95, 100**

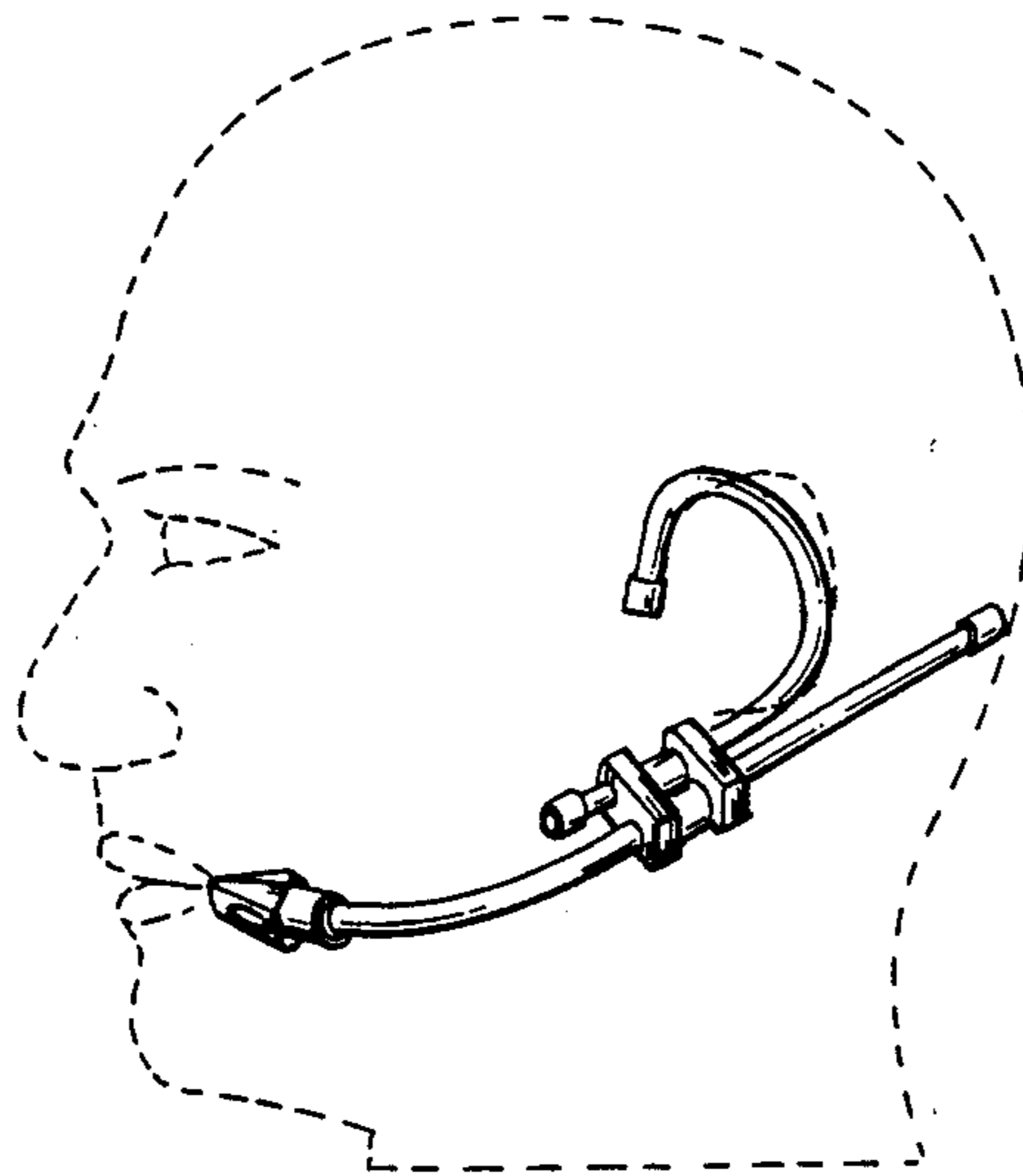
**DESCRIPTION**

[56] **References Cited**

**U.S. PATENT DOCUMENTS**

D. 196,515 10/1963 Flygstad et al. .... D14/227  
2,889,401 6/1959 Finkbeiner ..... 379/430 X  
3,868,572 2/1975 Kaufman et al. .... 455/89 X  
4,020,297 4/1977 Brodie ..... 379/430

FIG. 1 is a left side elevational view of a microphone showing my new design;  
FIG. 2 is a right side elevational view thereof;  
FIG. 3 is a front elevational view thereof;  
FIG. 4 is a rear elevational view thereof;  
FIG. 5 is a bottom view thereof;  
FIG. 6 is a top view thereof; and  
FIG. 7 is a top, front and right side perspective view thereof, the broken line showing is for illustrative purposes only and forms no part of the claimed design.



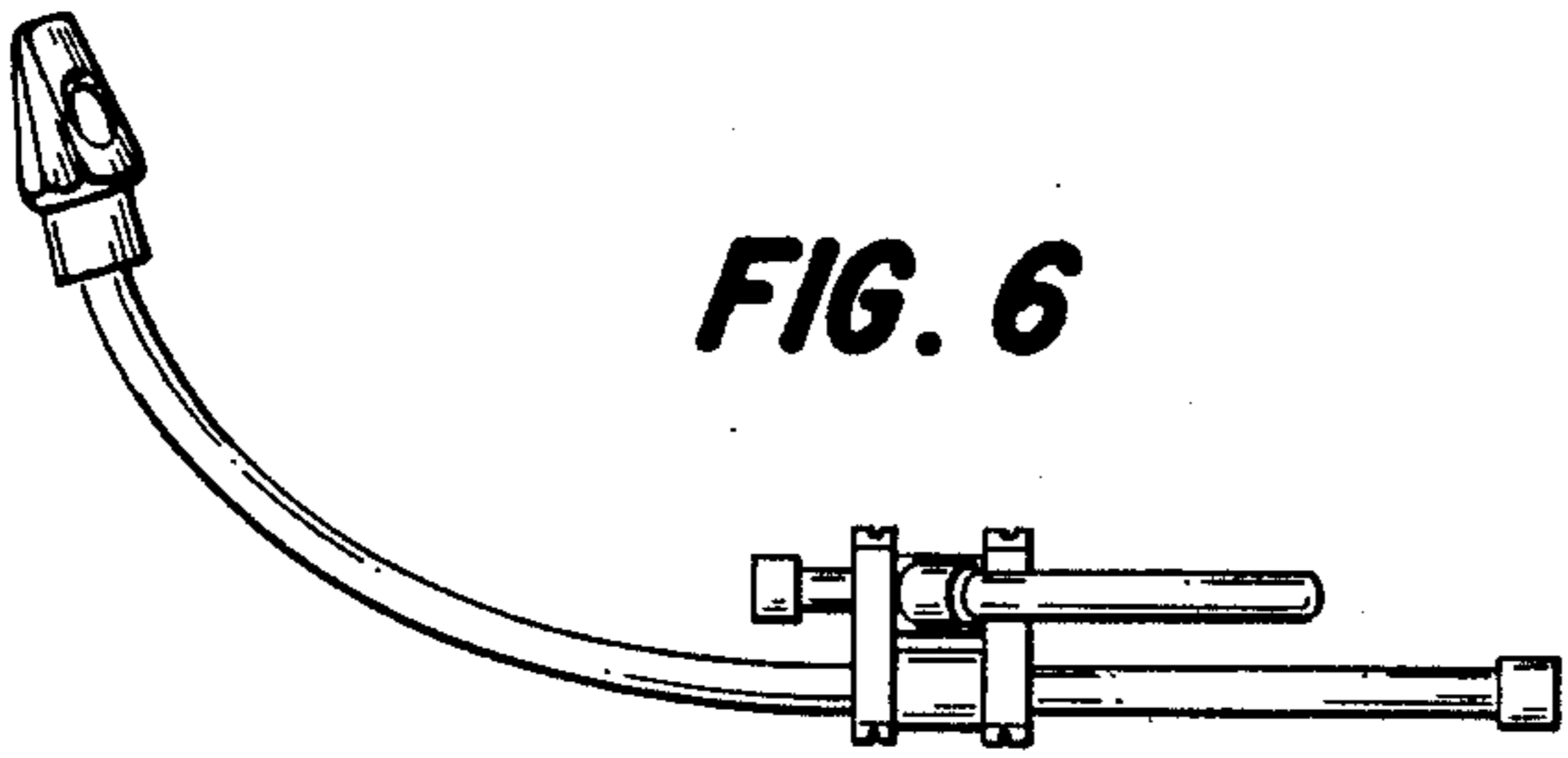
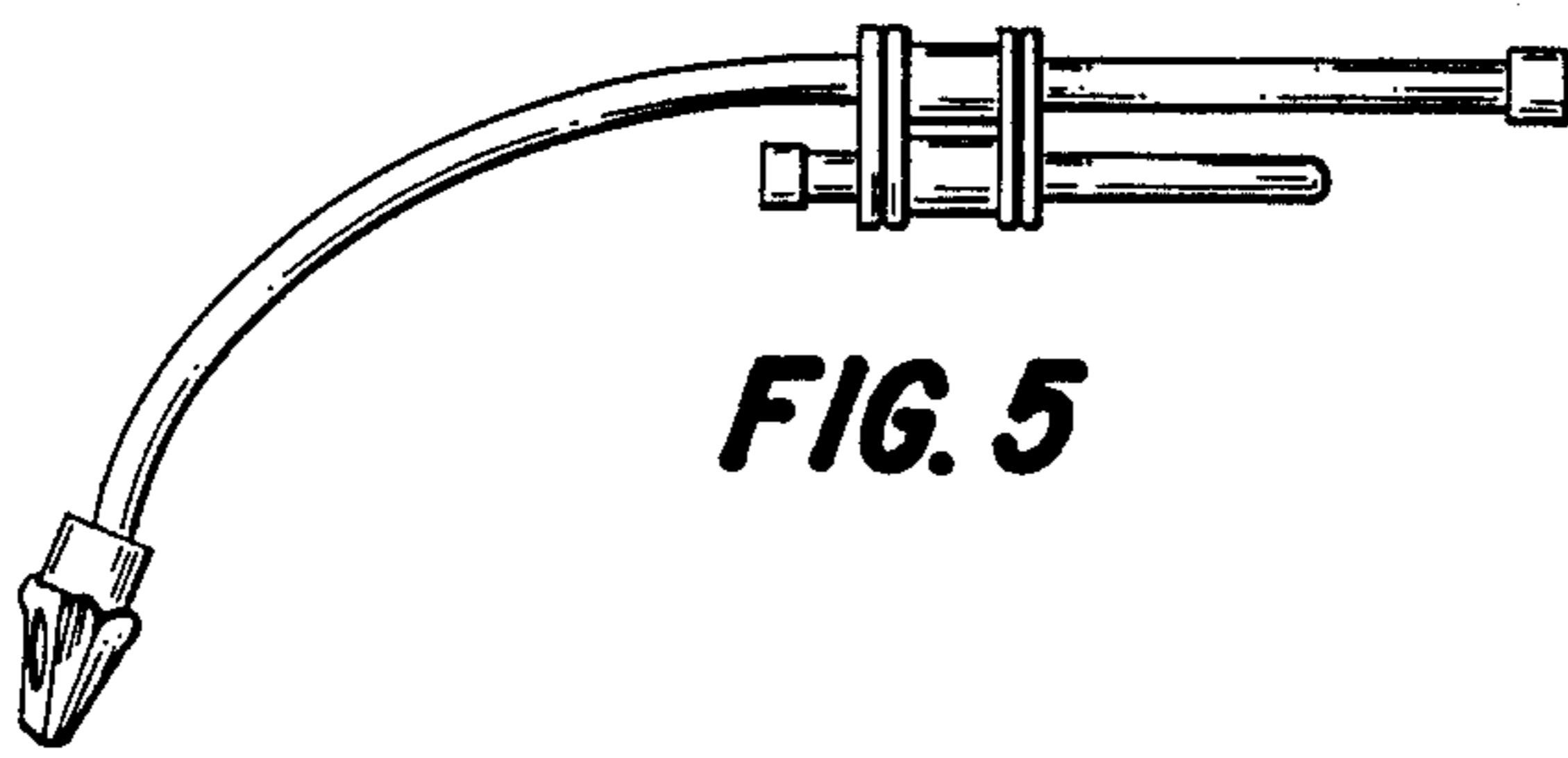
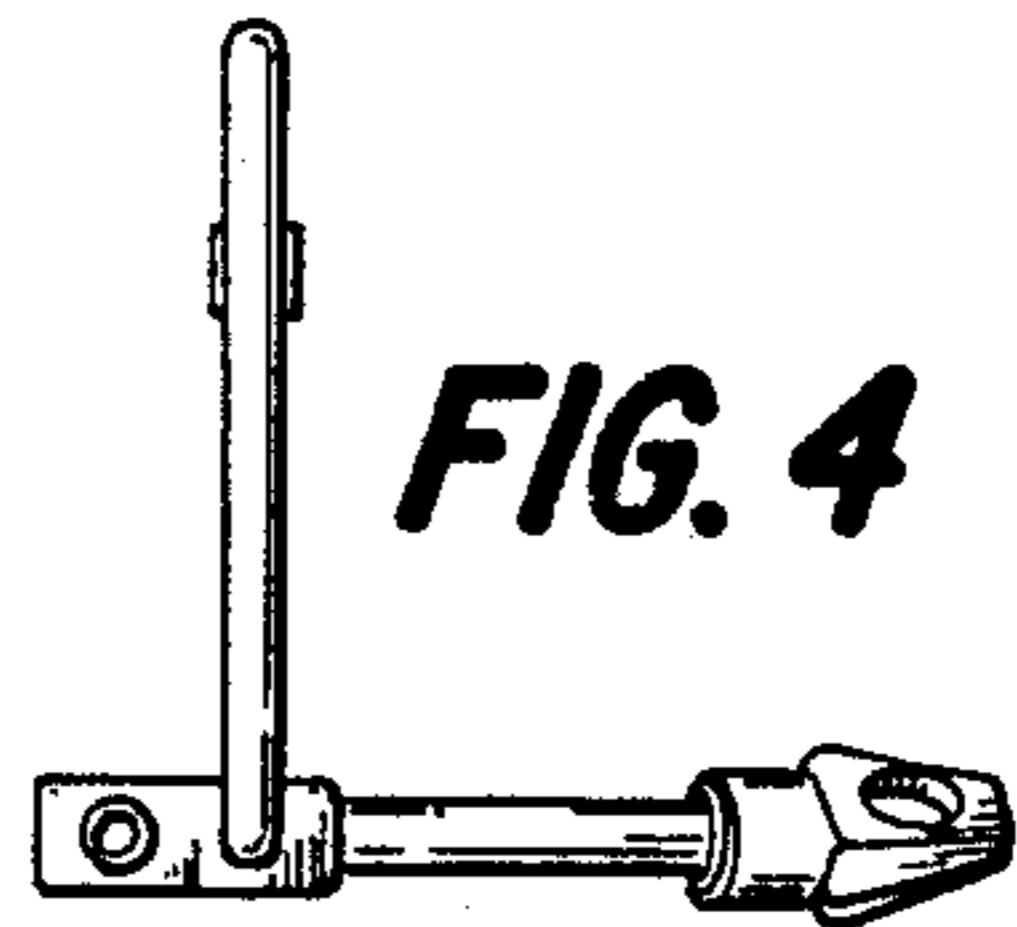
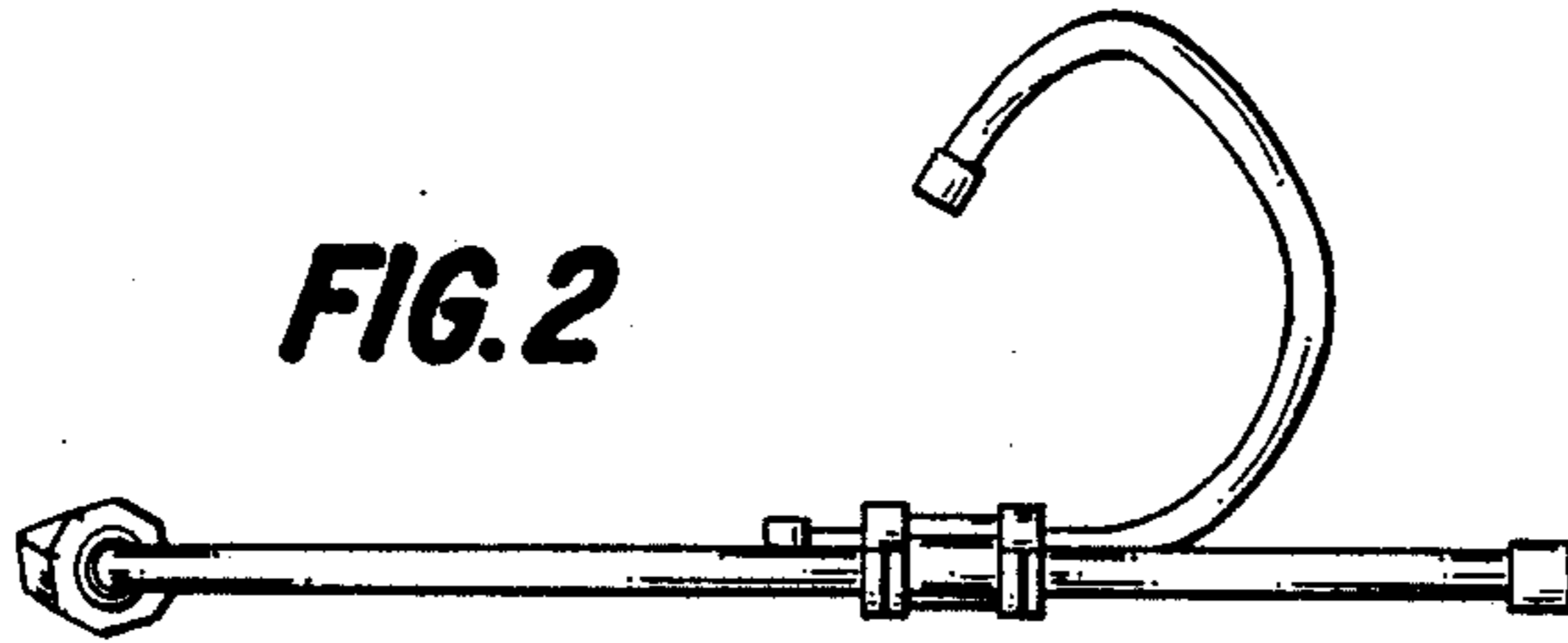
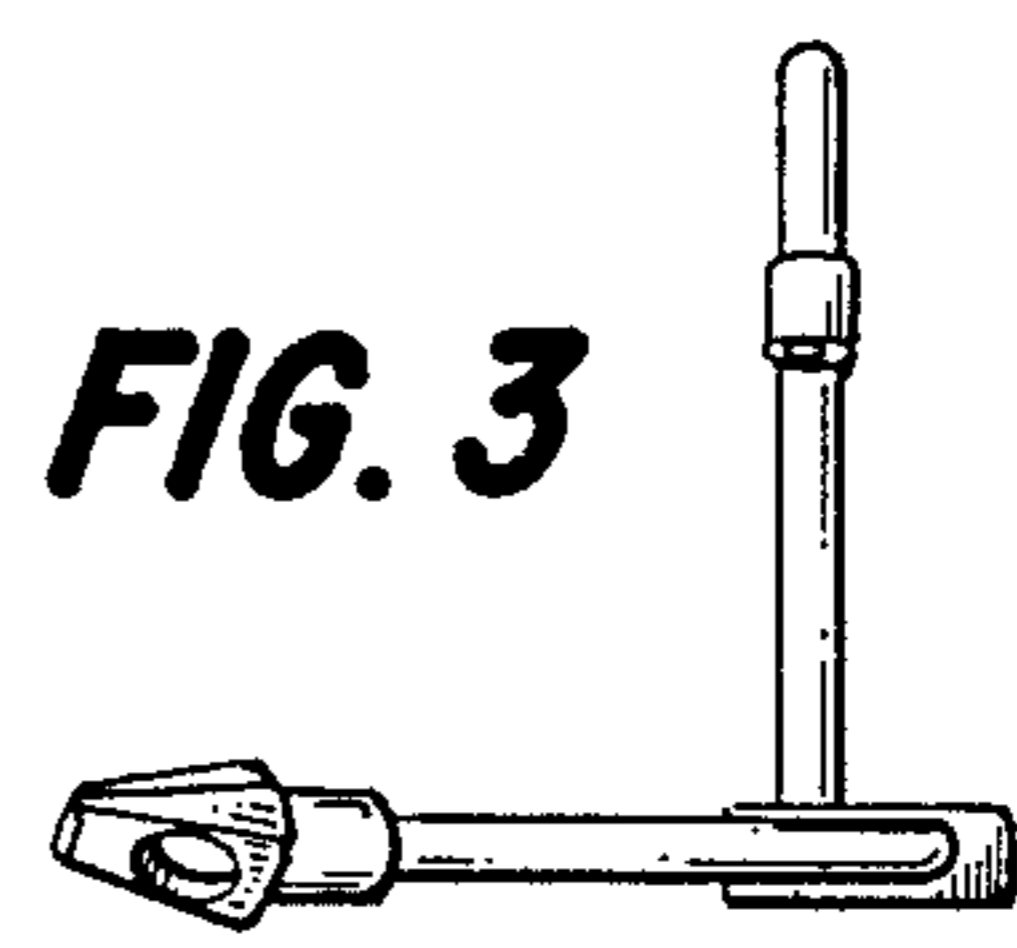
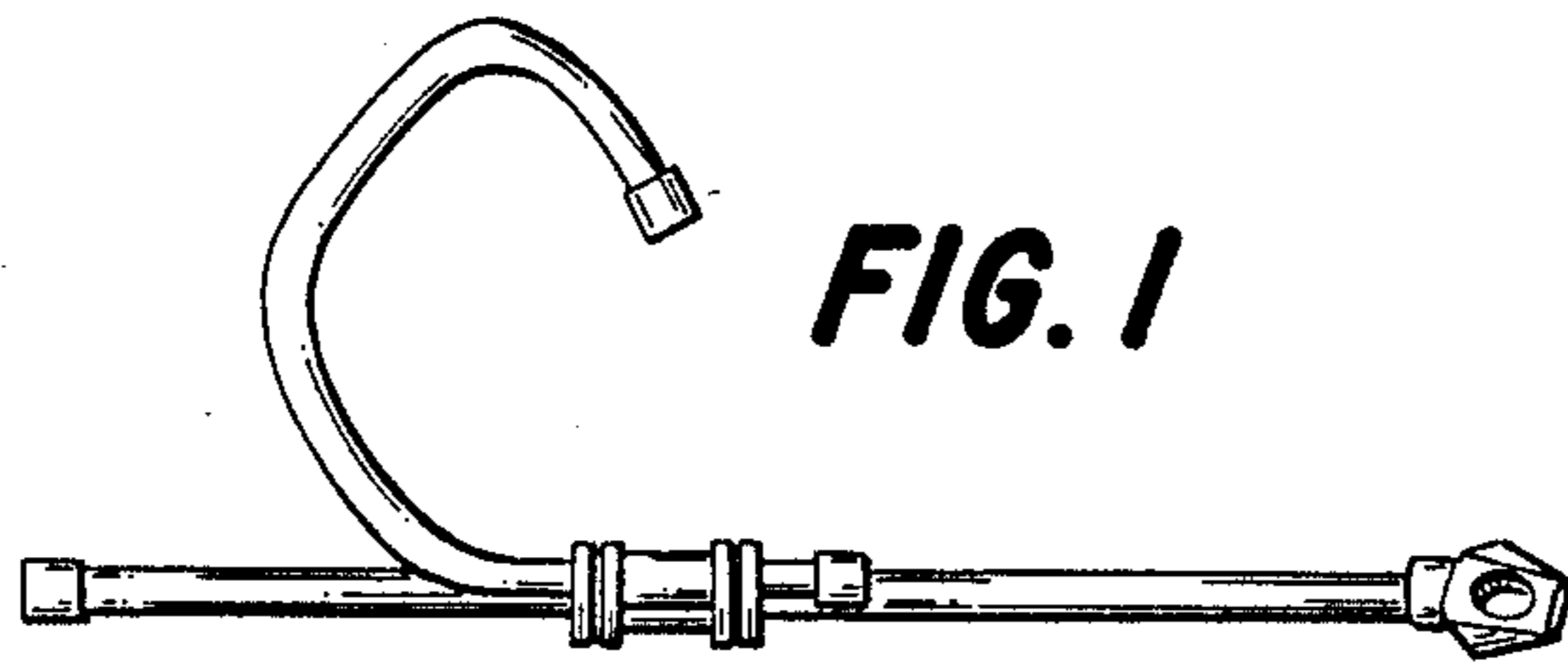


FIG. 7

