

[54] VIDEO COMMUNICATIONS TERMINAL, INCLUDING HOUSING, TELEPHONE HANDSET, KEYBOARD, CAMERA AND IMAGE SCREEN

4,533,791 8/1985 Read et al. 379/96
4,577,068 3/1986 Kelly et al. D14/130 X

[75] Inventors: Kazuhumi Takada; Kazuhito Takai, both of Tokyo, Japan

[73] Assignee: Oki Electric Industry Co., Ltd., Tokyo, Japan

[**] Term: 14 Years

[21] Appl. No.: 287,084

[22] Filed: Dec. 21, 1988

[52] U.S. Cl. D14/144; D14/130

[58] Field of Search D14/130, 129, 133, 142, D14/144; 379/53, 54, 96

[56] References Cited

U.S. PATENT DOCUMENTS

D. 243,619	3/1977	Olsson	D14/144
D. 278,812	5/1985	Topp	D14/144
D. 283,614	4/1986	Somaschini	D14/130
D. 289,762	5/1987	Alterio et al.	D14/130 X
D. 294,250	3/1988	Watanabe	D14/130
D. 296,893	7/1988	Taniuchi	D14/130
D. 300,533	4/1989	Oura et al.	D14/144 X
4,291,198	9/1981	Anderson et al.	D14/144 X

FOREIGN PATENT DOCUMENTS

0120477 10/1984 European Pat. Off. 379/53

Primary Examiner—Horace B. Fay, Jr.

Attorney, Agent, or Firm—Wenderoth, Lind & Ponack

[57] CLAIM

The ornamental design for a video communications terminal, including housing, telephone handset, keyboard, camera and image screen.

DESCRIPTION

FIG. 1 is a front, top and right side perspective view of a video communications terminal, including housing, telephone handset, keyboard camera and image screen showing our new design;

FIGS. 2 and 3 are respectively front and rear elevational views thereof;

FIGS. 4 and 5 are respectively right and left side elevational views thereof;

FIGS. 6 and 7 are respectively top and bottom plan views thereof; and

FIG. 8 is a perspective view thereof with the camera member rotated to the front image screen member of the housing.

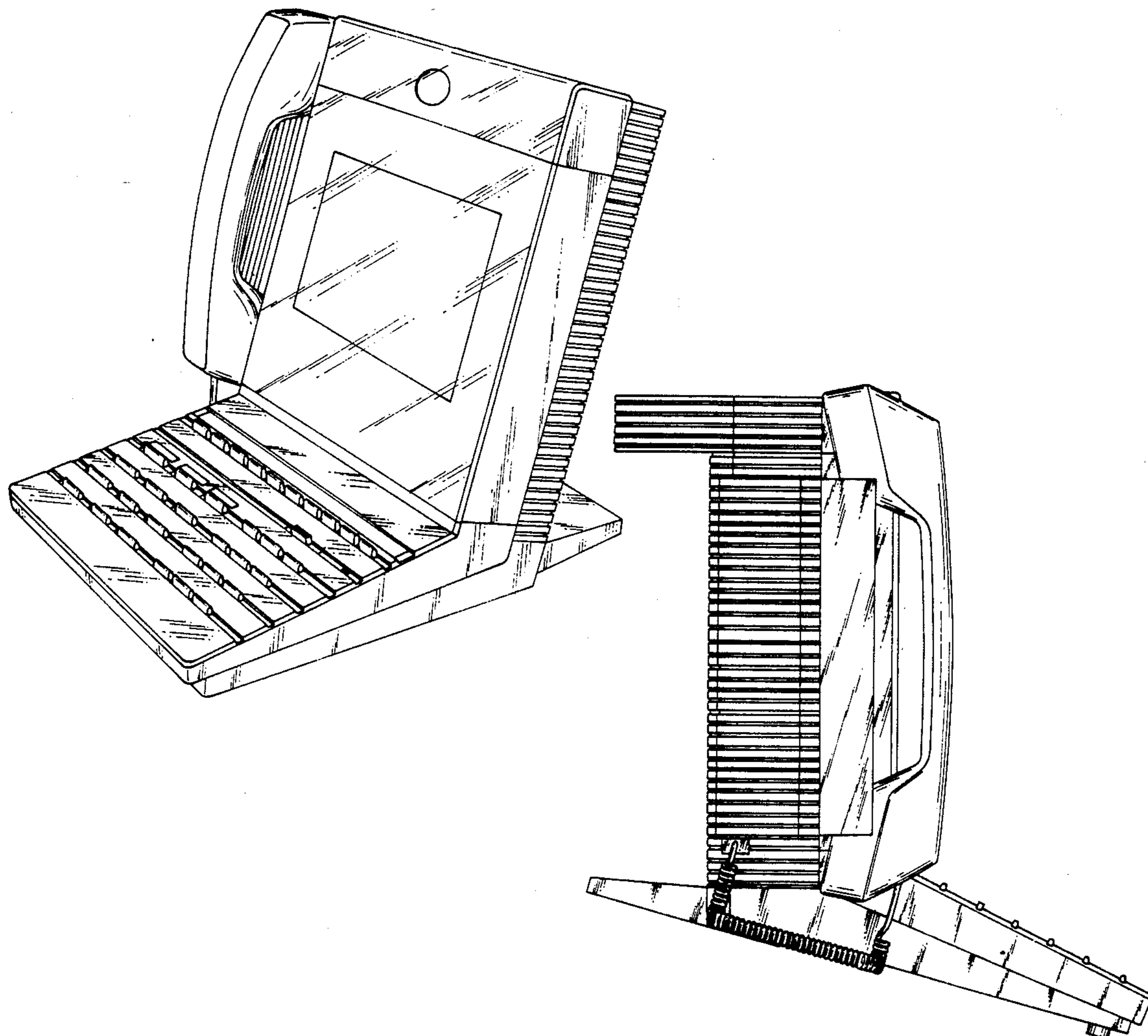


FIG. 1

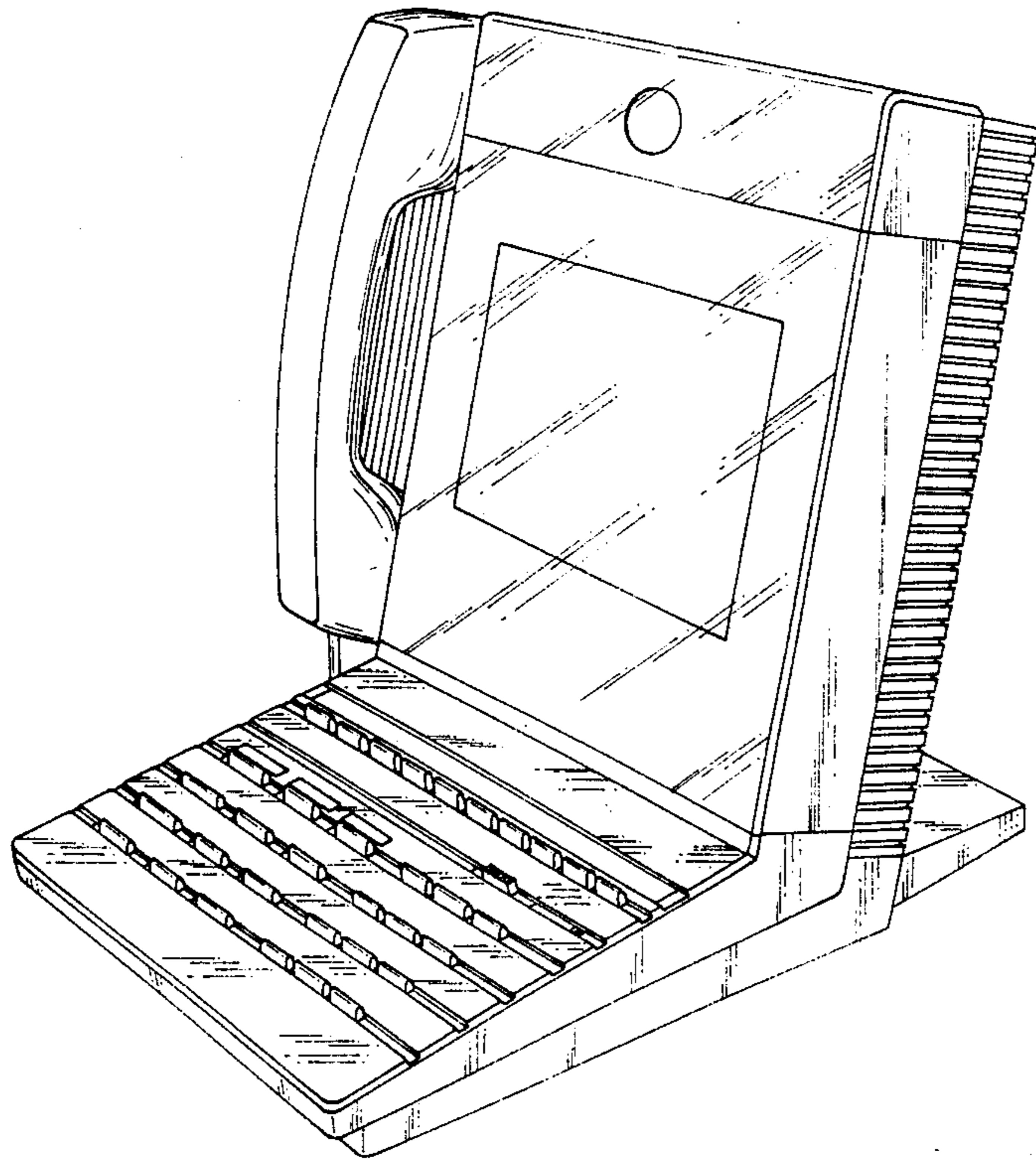


FIG. 2

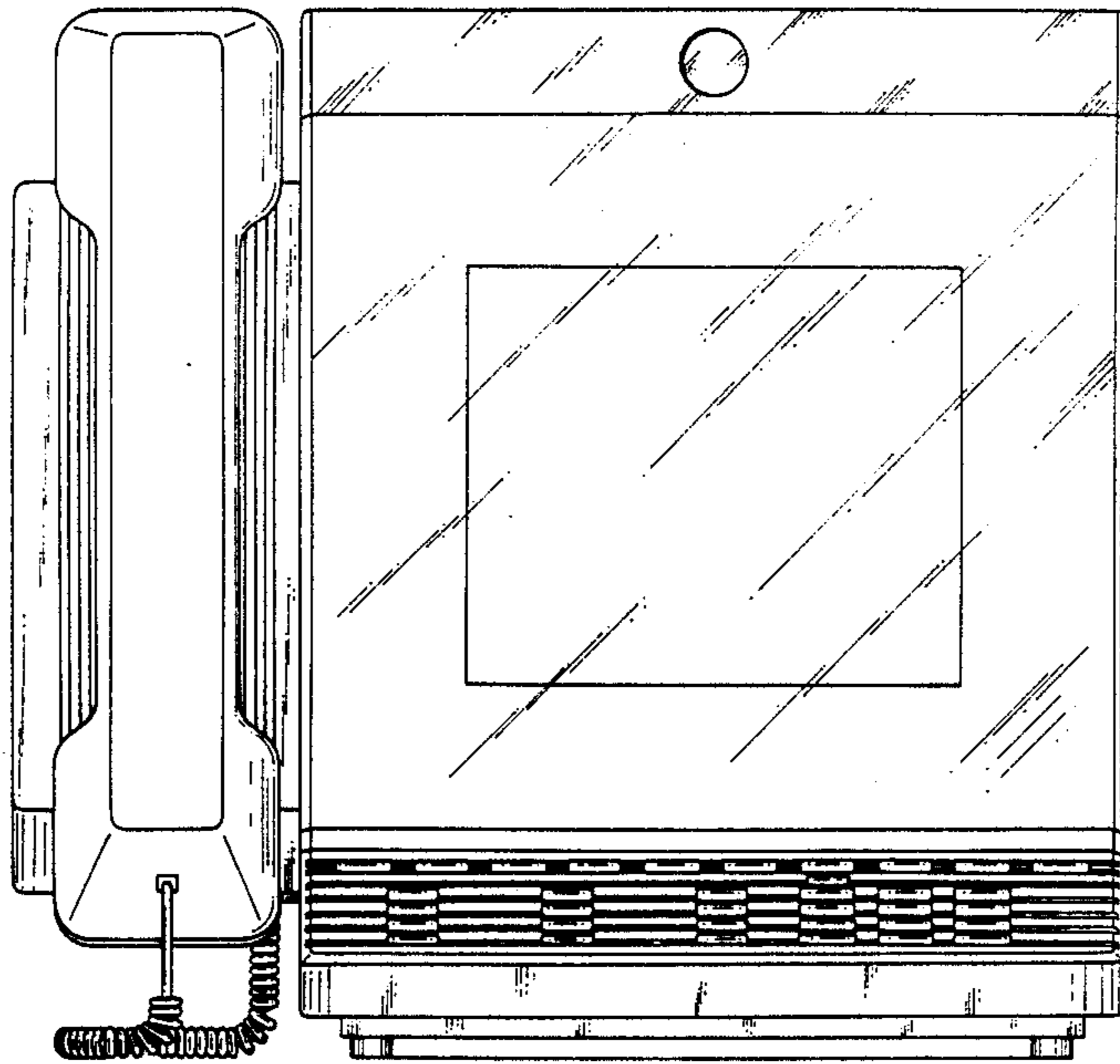


FIG. 3

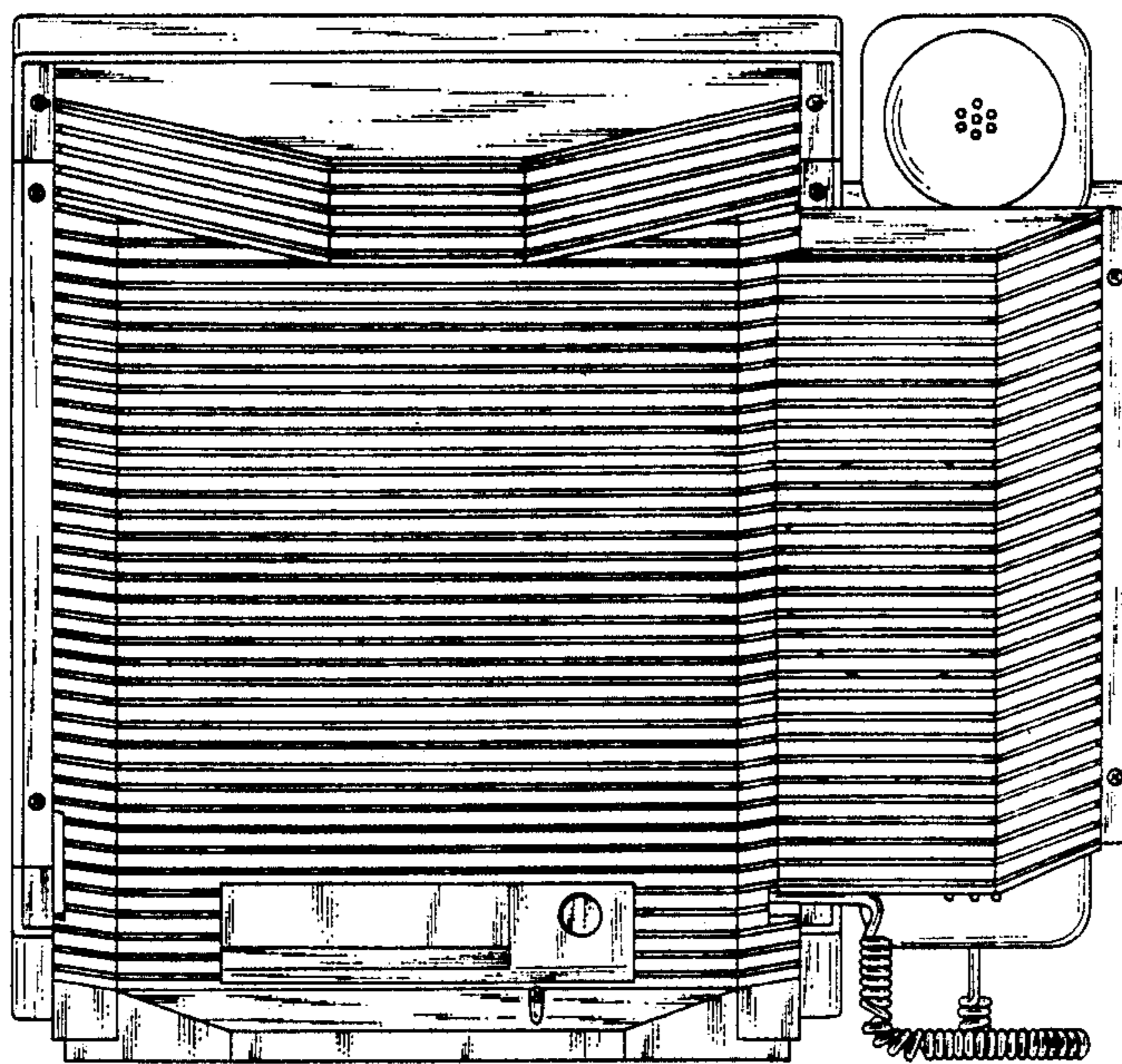


FIG. 4

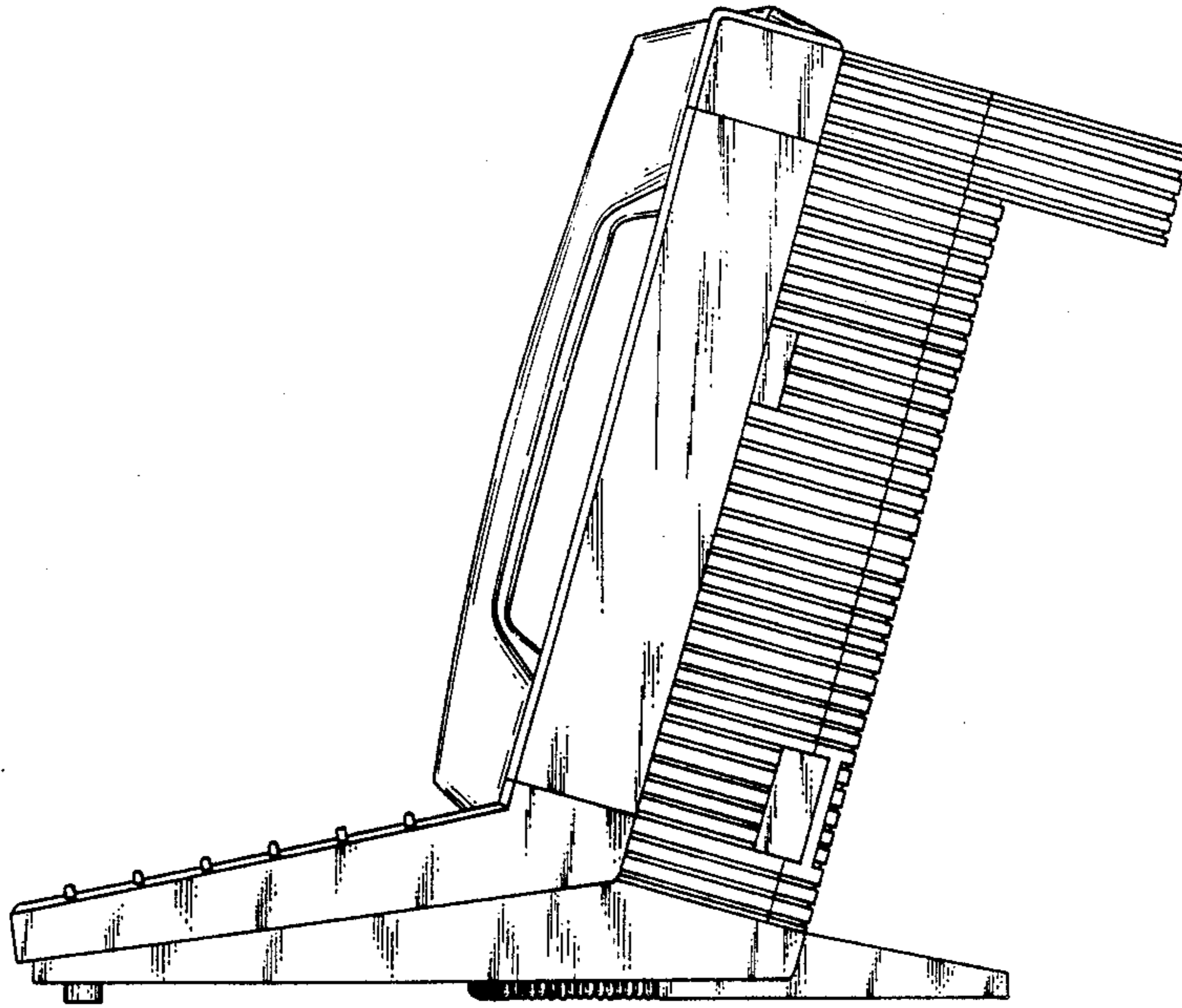


FIG. 5

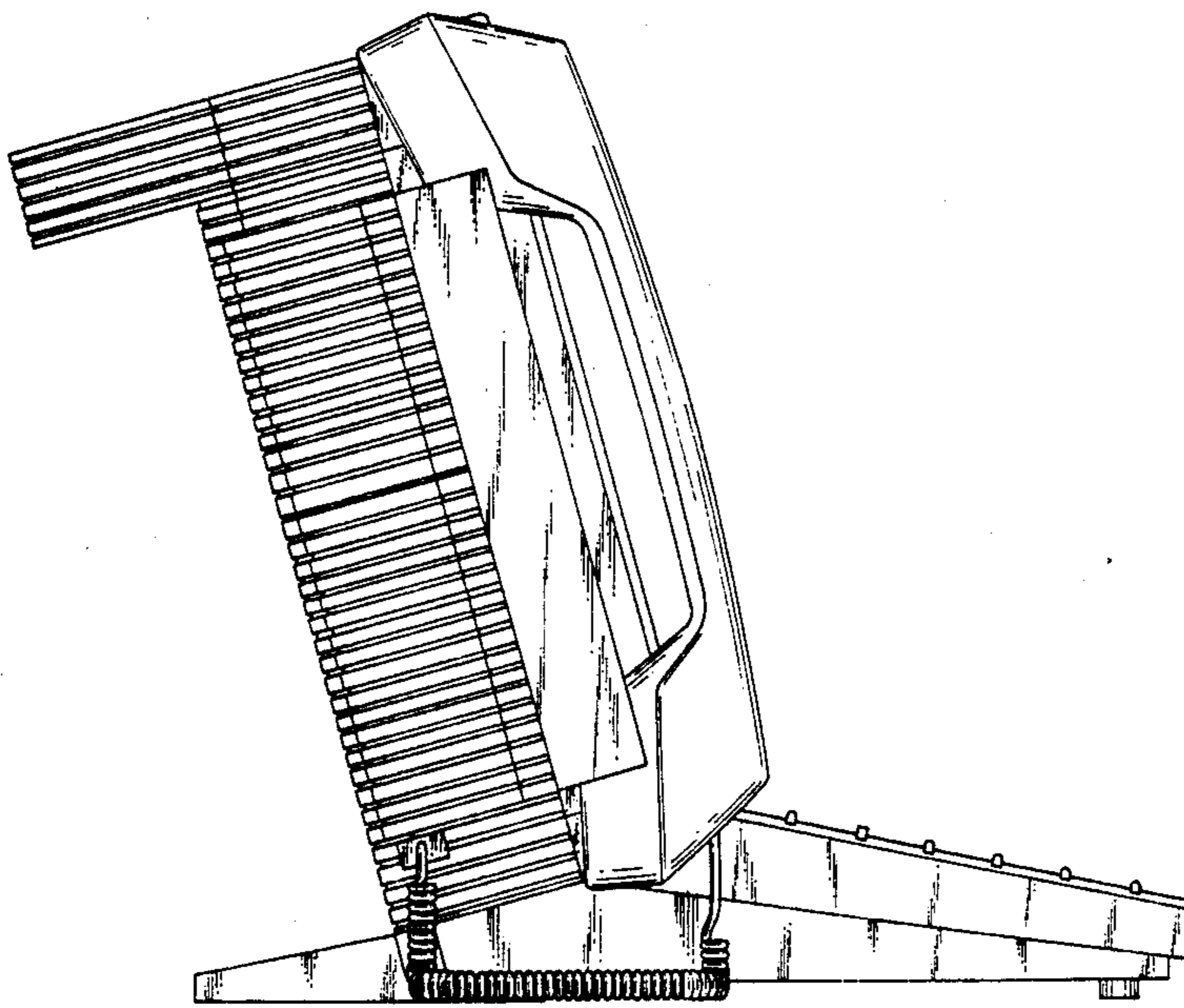


FIG. 6

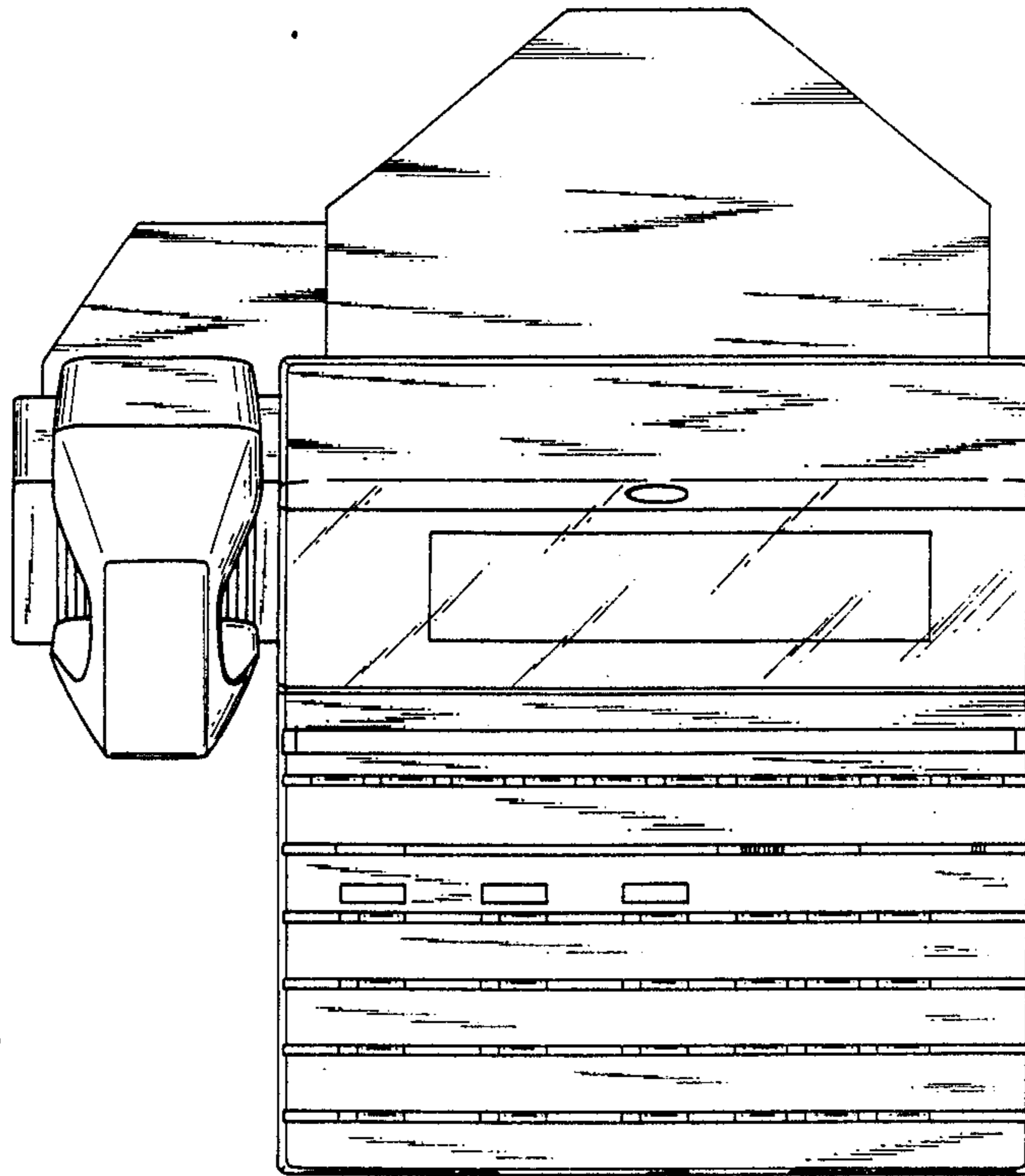


FIG. 7

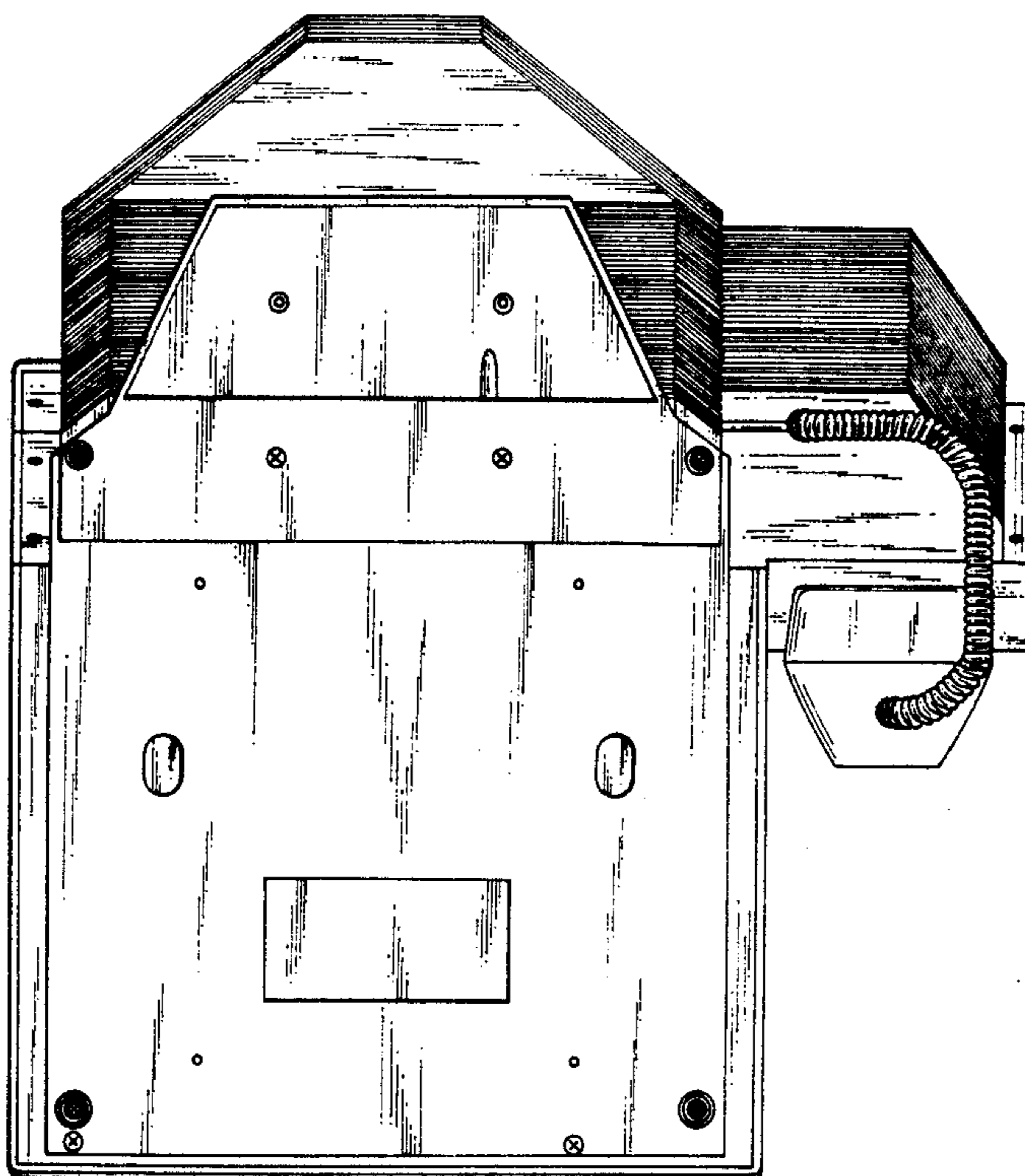


FIG. 8

