

[54] COMBINED CLOCK, RADIO, TELEPHONE

D. 298,318 11/1988 Doi D14/144 X

[75] Inventor: Paul Appleby, London, England

OTHER PUBLICATIONS

[73] Assignee: Dialatron Limited, Surrey, United Kingdom

B. A. Pargh Co. Inc. Catalog, 1989 Spring Summer; at p. 349; *Panasonic RCT340RPH* AM/FM Telephone Clock Radio.

[**] Term: 14 Years

Spiegel Catalog 1988: at p. 493; Item "L" Phonemate MiniMate; and Item J, Easa-Phone.

[21] Appl. No.: 373,217

Best Cat. 1986, 87, ©1986; at p. 297 & models Clock-Radio-Telephones.

[22] Filed: Jun. 28, 1989

[52] U.S. Cl. D14/144

Primary Examiner—Horace B. Fay, Jr.

[58] Field of Search D14/144, 148, 170, 162; 379/434, 436, 428, 440, 433, 58; D21/111

Attorney, Agent, or Firm—Harness, Dickey & Pierce

[56] References Cited

[57] CLAIM

U.S. PATENT DOCUMENTS

The ornamental design for combined clock, radio and telephone, as shown and described.

D. 256,582	8/1980	Owens	D14/144
D. 268,758	4/1983	Boldt et al.	D14/144
D. 279,099	6/1985	Baum	D14/144
D. 279,900	7/1985	Topp	D14/144
D. 280,402	9/1985	Brown	D14/144
D. 282,742	2/1986	Baum	D14/148
D. 282,763	2/1986	Catelli	D14/144 X
D. 295,041	4/1988	Wong	D14/144
D. 297,428	8/1988	McEloy	D14/144

DESCRIPTION

FIG. 1 is a top and right side perspective view of a combined clock, radio, and telephone showing my new design in cradled relationship;

FIG. 2 is a rear elevational view thereof;

FIG. 3 is a bottom plan view; and

FIG. 4 is a left side elevational view thereof.

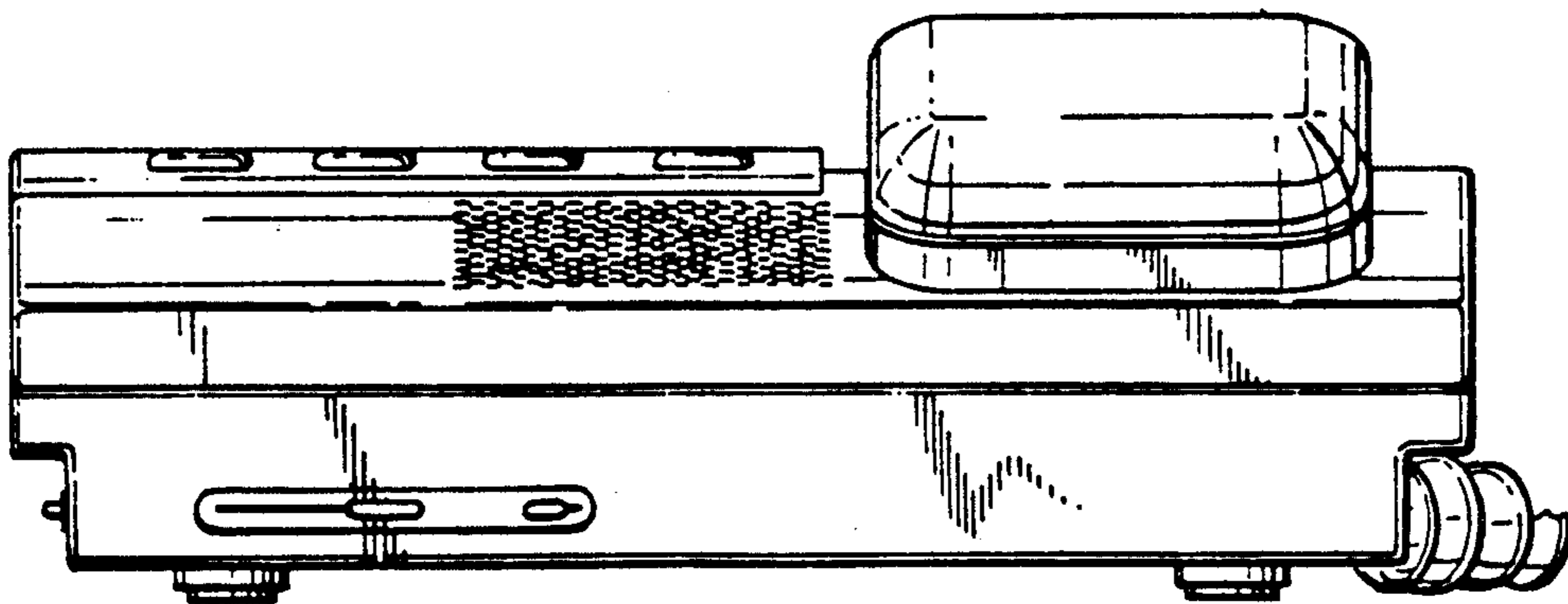
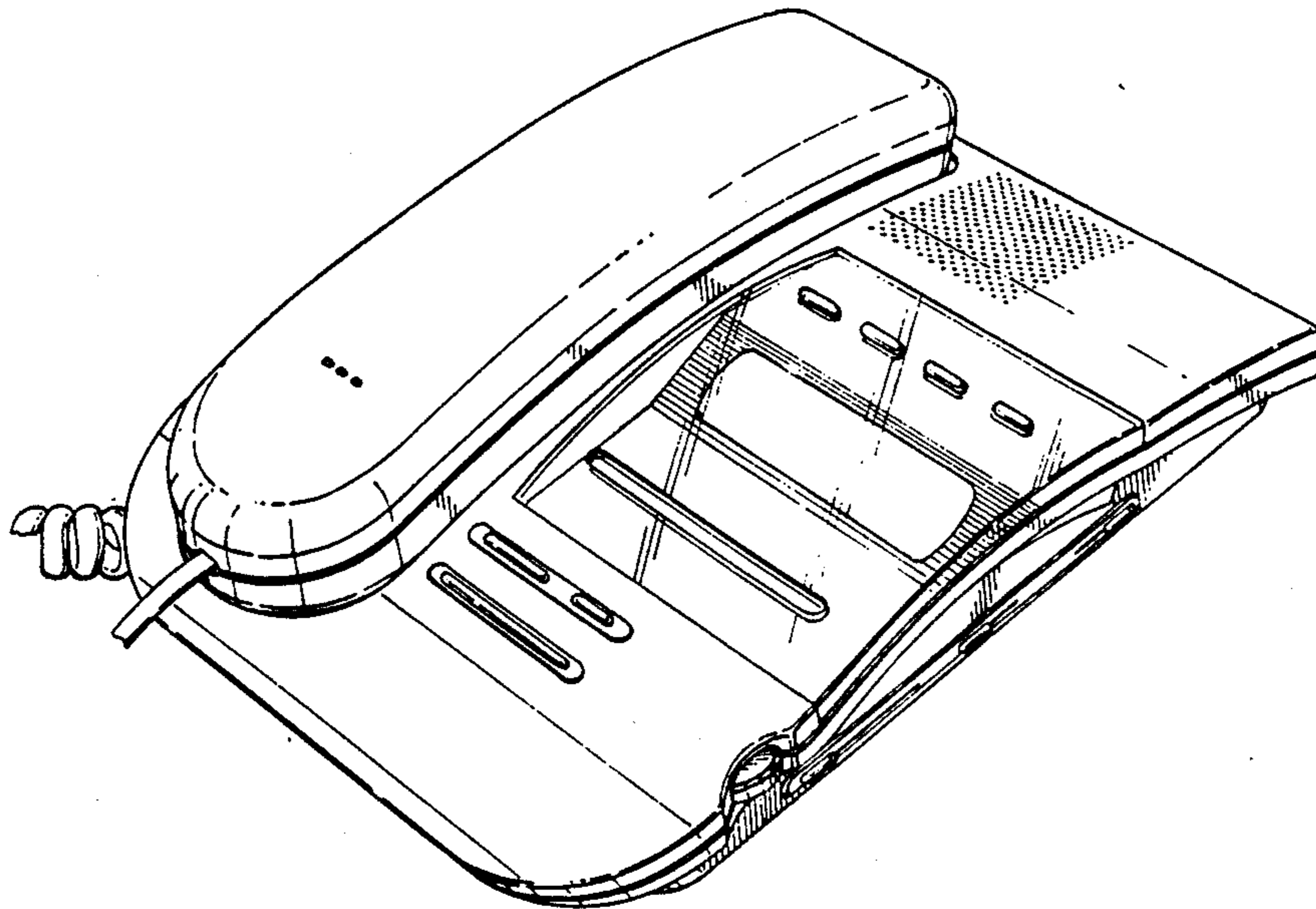


Fig. 1.

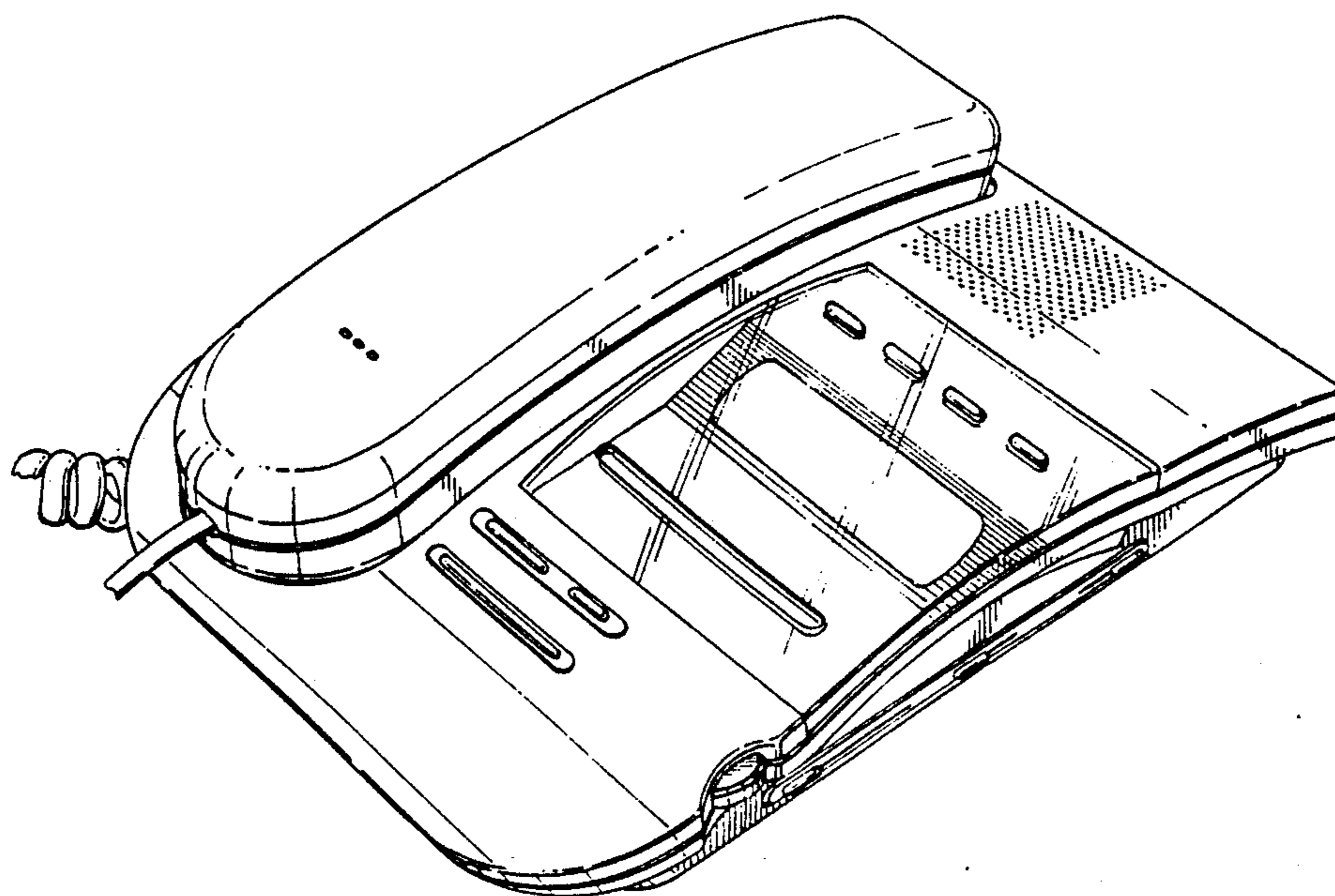


Fig. 2.

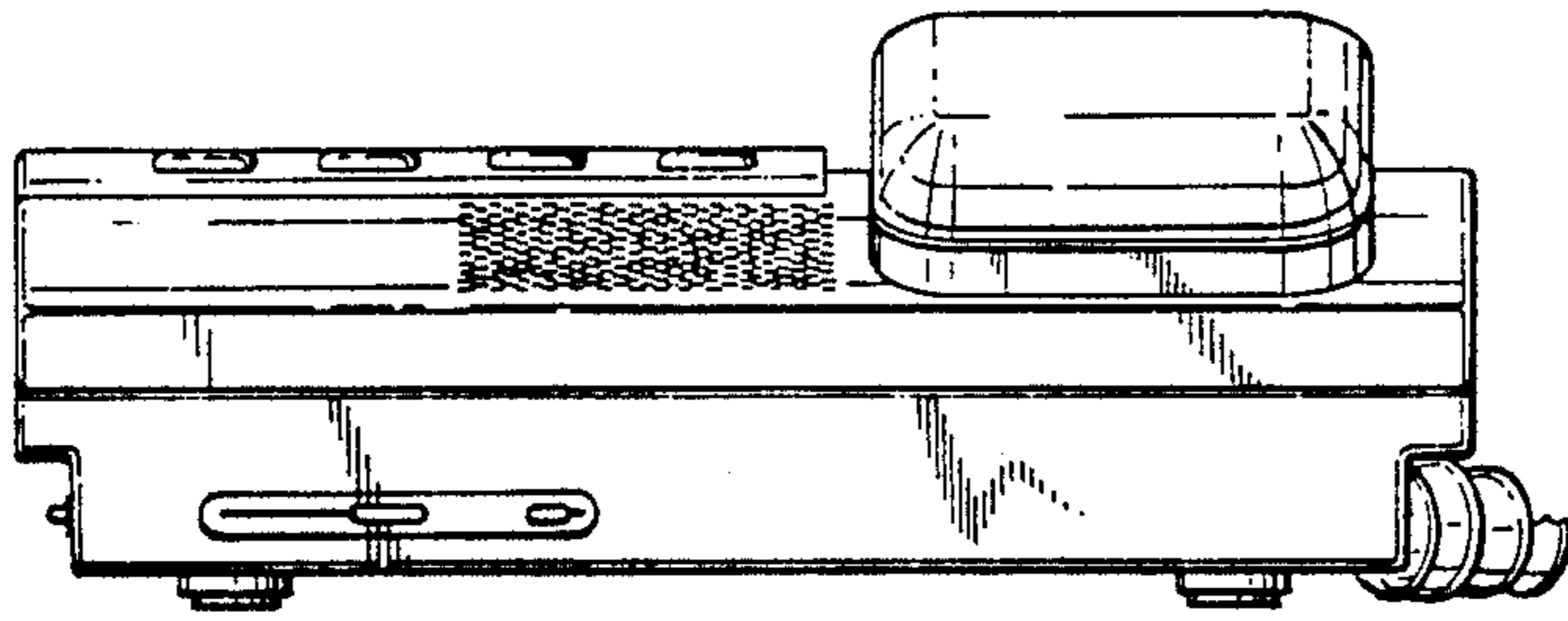


Fig. 3.

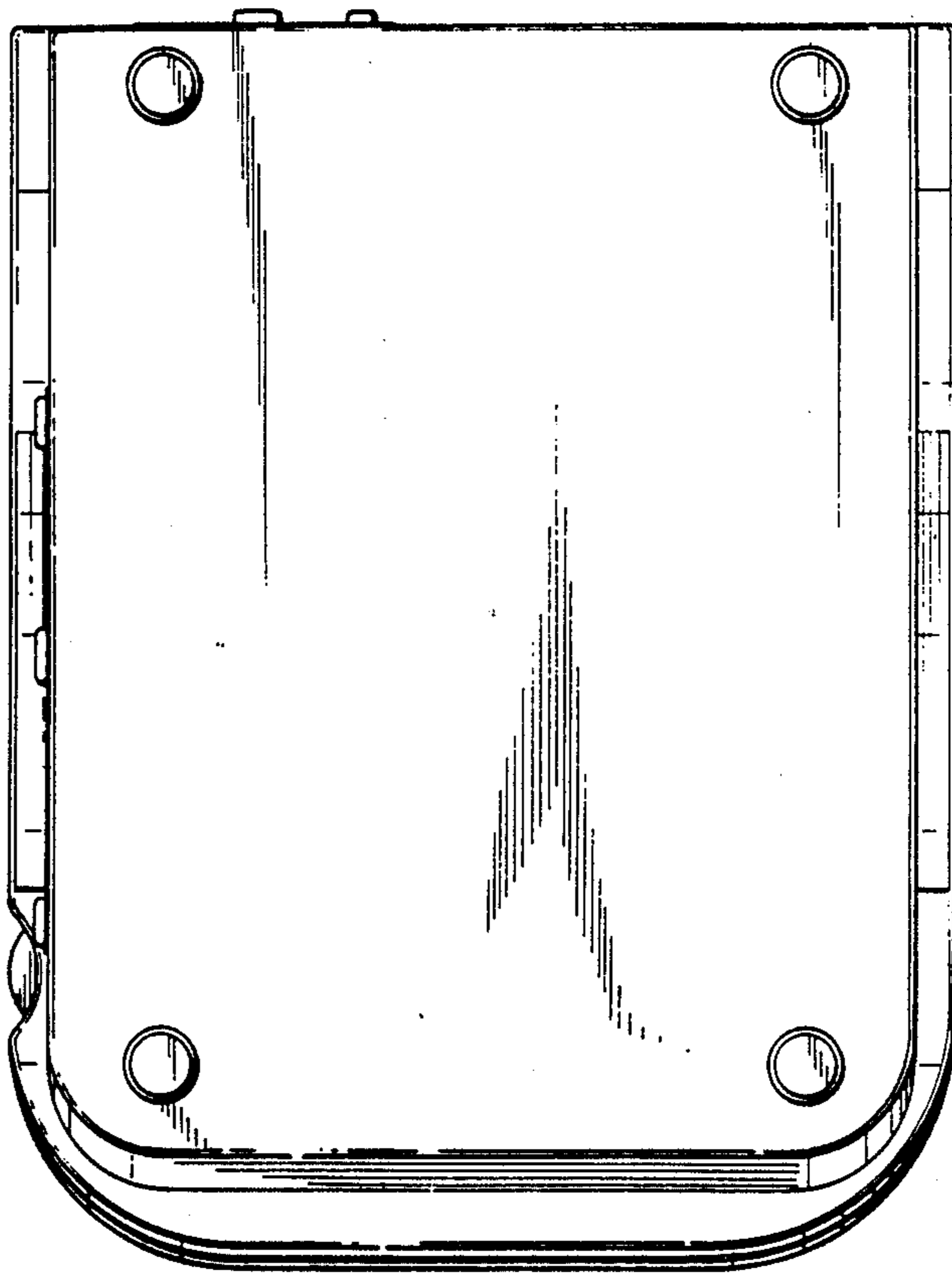


Fig. 4.

