

[54] CREDIT CARD TERMINAL WITH AUXILIARY KEYBOARD

[75] Inventor: Robert Kohler, Paris, France

[73] Assignee: Societe D'Applications Generales D'Electricite, Paris, France

[**] Term: 14 Years

[21] Appl. No.: 132,143

[22] Filed: Dec. 14, 1987

[30] Foreign Application Priority Data

Jun. 25, 1987 [FR] France 87 3784

[52] U.S. Cl. D14/105; D14/100

[58] Field of Search D14/100, 105, 107, 114, D14/115, 116, 106; 235/454, 462, 470, 471, 472, 473, 475, 479, 379, 380-382, 482; 250/203 R, 566, 568, 569, 239; 358/408, 473, 474, 497; 354/80, 81, 82; 355/231, 233; 382/58, 59, 62, 63, 65

[56] References Cited

U.S. PATENT DOCUMENTS

D. 251,872 5/1979 Schultz et al. D14/105

- D. 261,884 11/1981 Beadle et al. D14/106
- D. 290,124 6/1987 Wilson et al. D14/105
- D. 298,262 10/1988 Ishida D14/105
- D. 298,536 11/1988 Brefka D14/105
- 4,587,379 5/1986 Masuda D14/146 X

Primary Examiner—Susan J. Lucas
Assistant Examiner—Freda S. Nunn
Attorney, Agent, or Firm—Larson and Taylor

[57] CLAIM

The ornamental design for credit card terminal with auxiliary keyboard, as shown and described.

DESCRIPTION

FIG. 1 is a top, front perspective view of a credit card terminal with auxiliary keyboard showing my new design;

FIG. 2 is a bottom front perspective view thereof;

FIG. 3 is a top plan view thereof;

FIG. 4 is a rear elevational view thereof;

FIG. 5 is a right hand side elevational view thereof;

FIG. 6 is a left hand side elevational view thereof;

FIG. 7 is a bottom plan view thereof.

The roll of paper is shown in broken lines for illustrative purposes only.

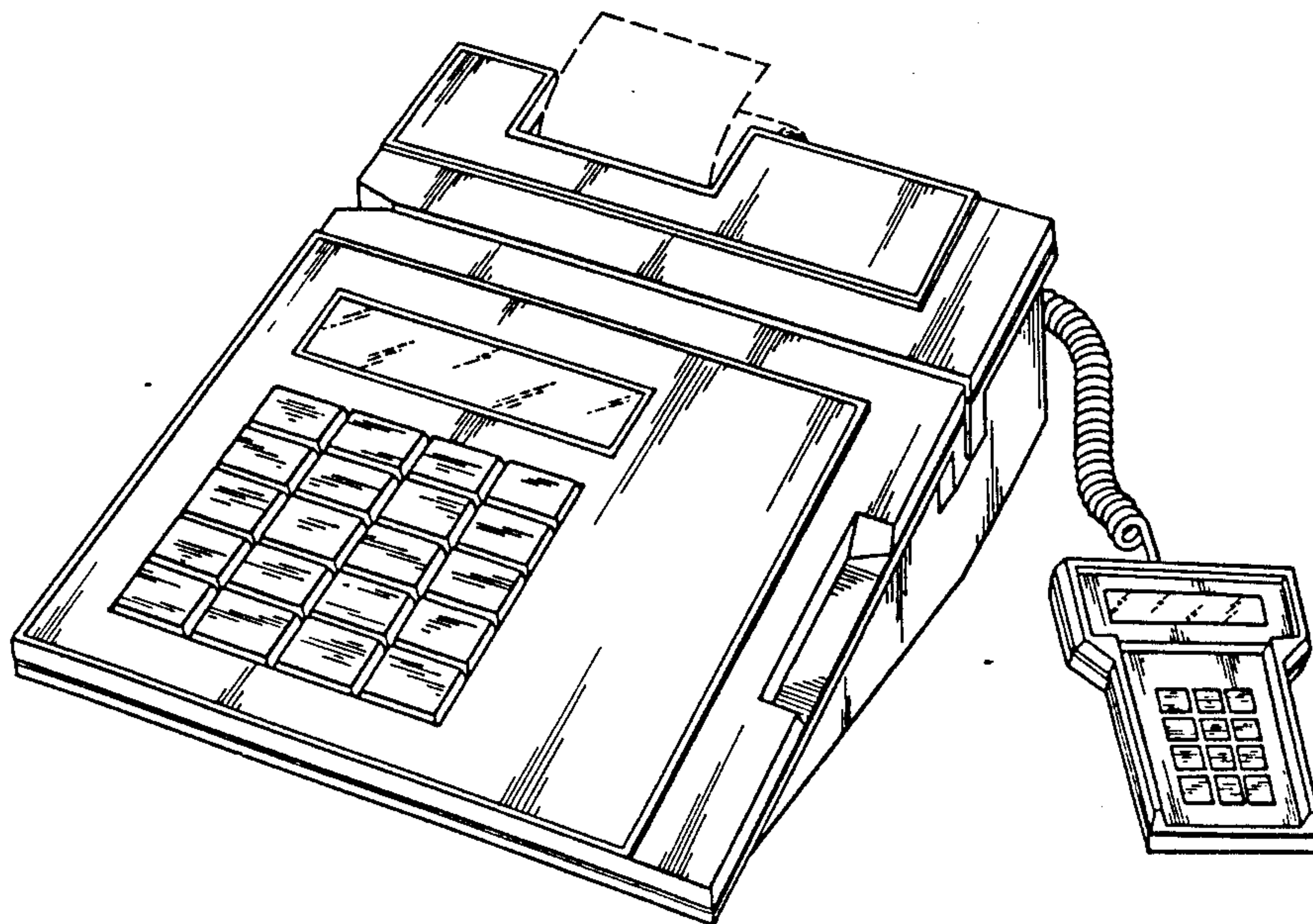
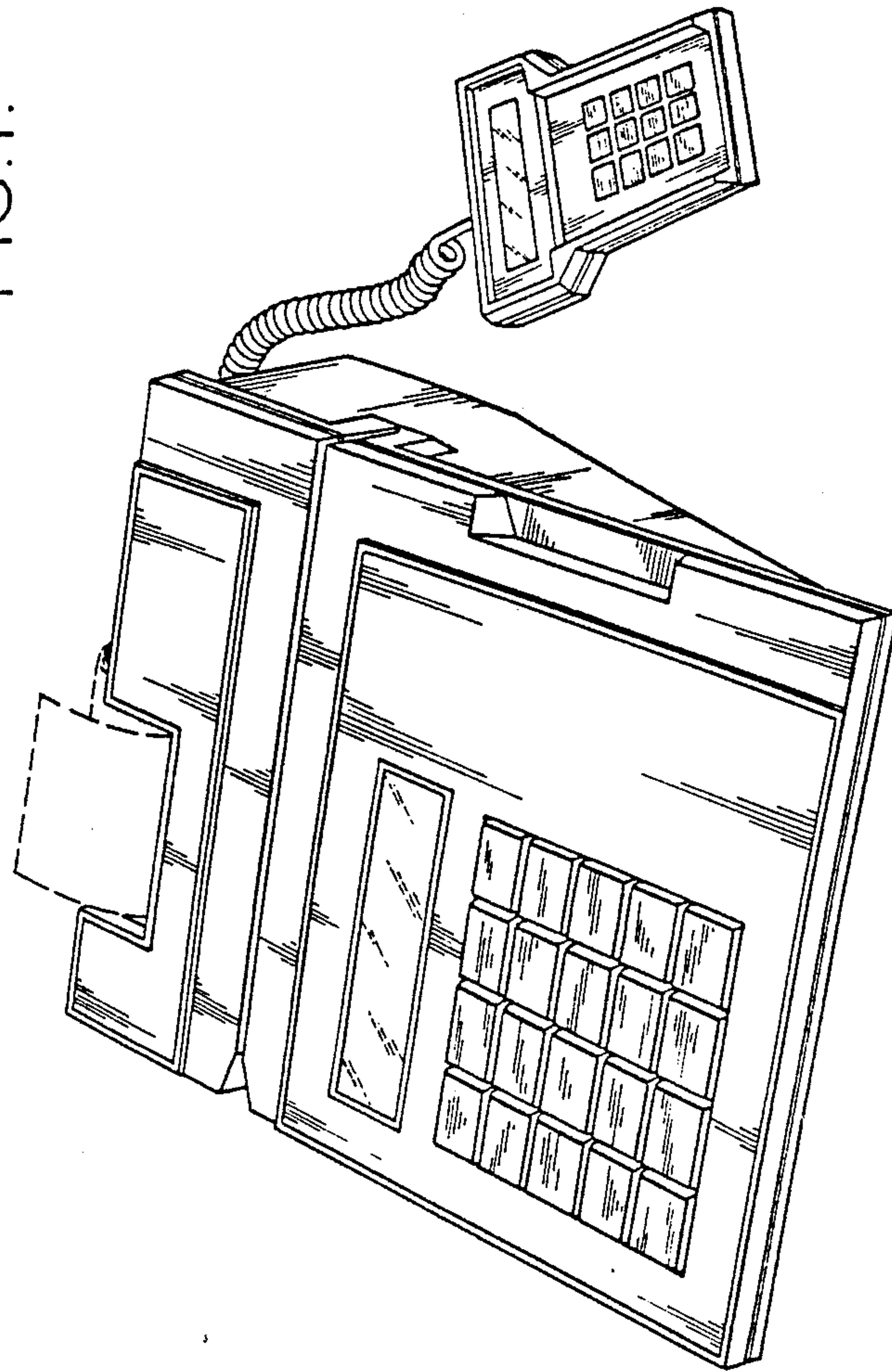


FIG.1.



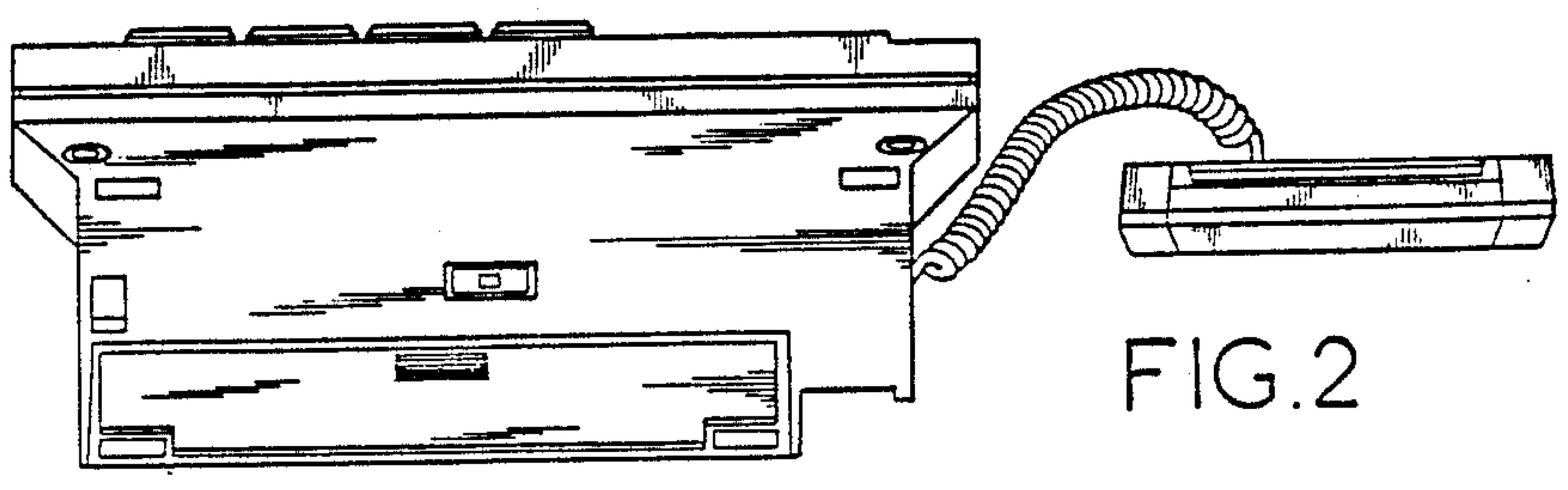


FIG. 2

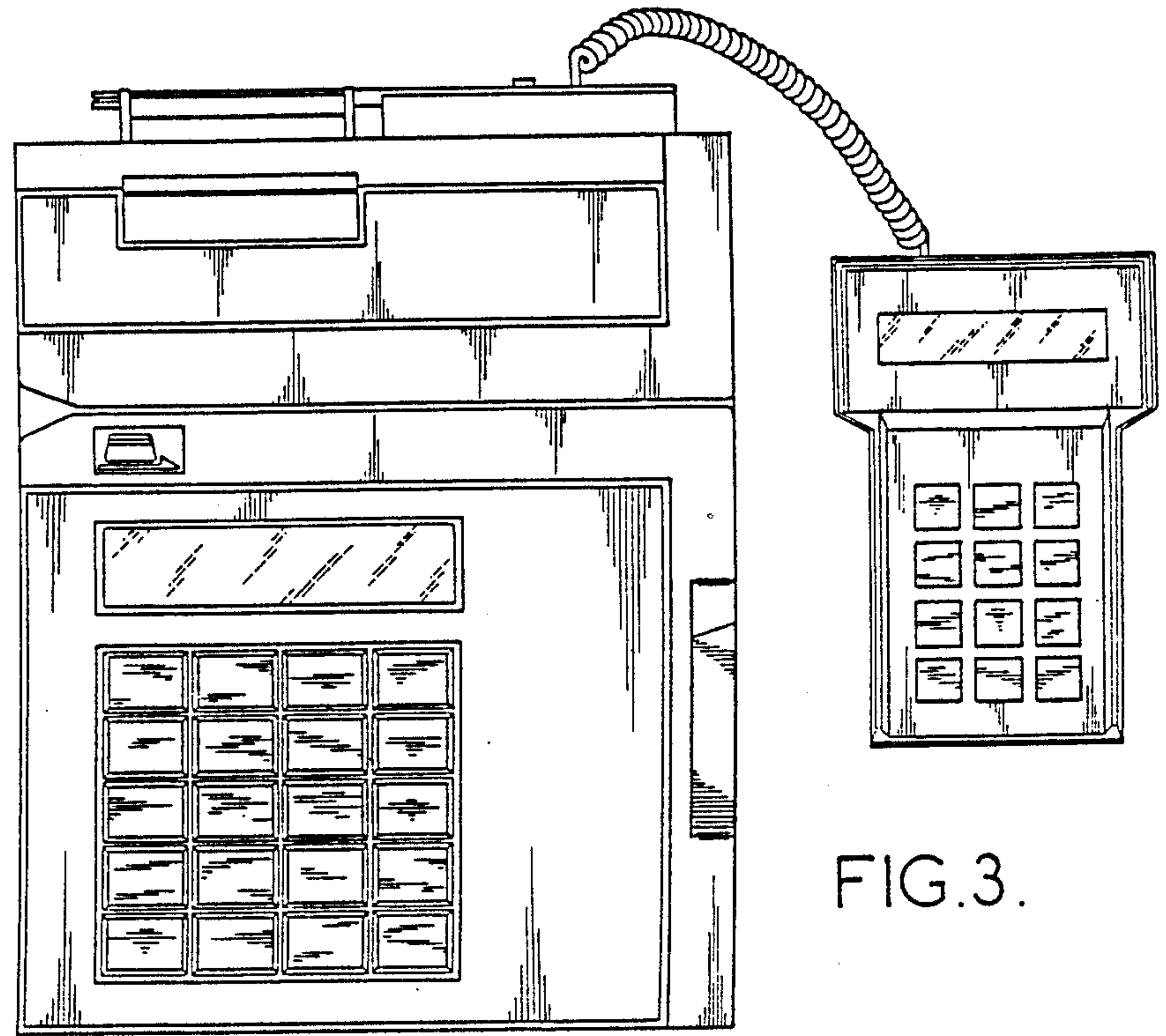


FIG. 3.

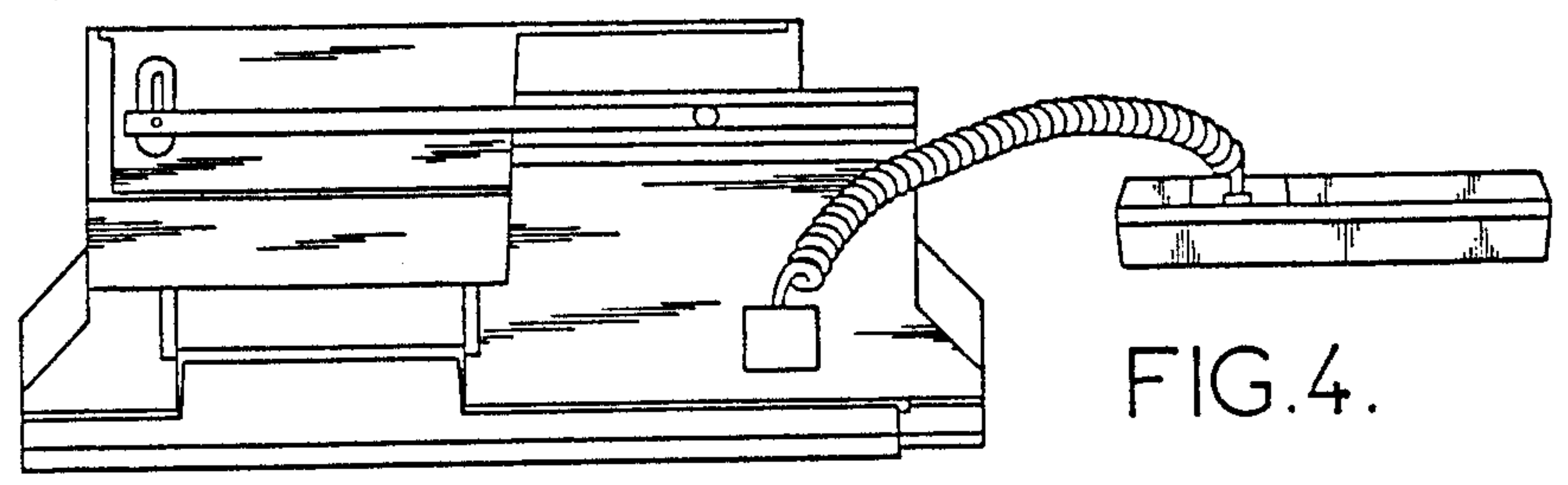


FIG. 4.

FIG. 7.

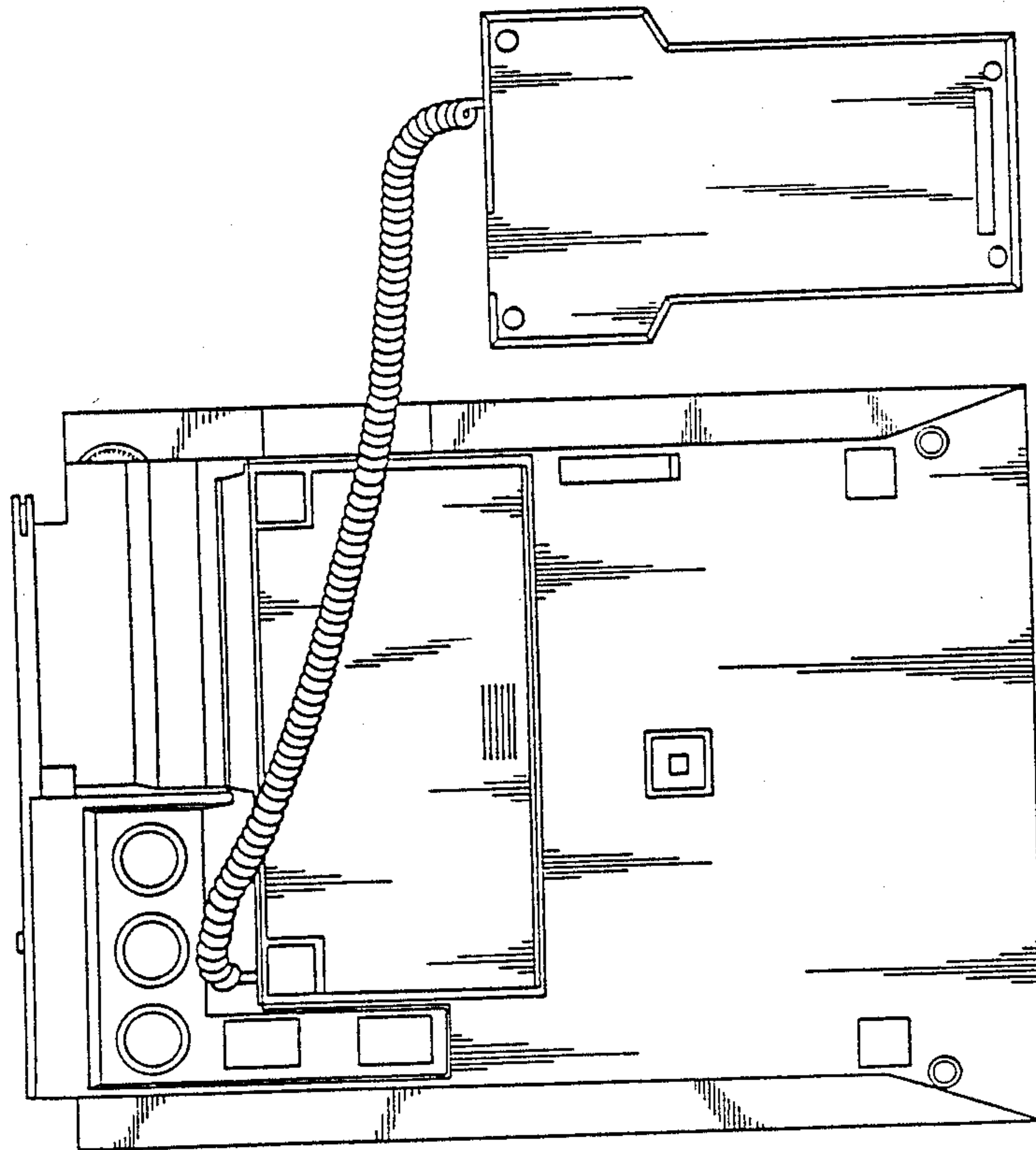


FIG. 6.

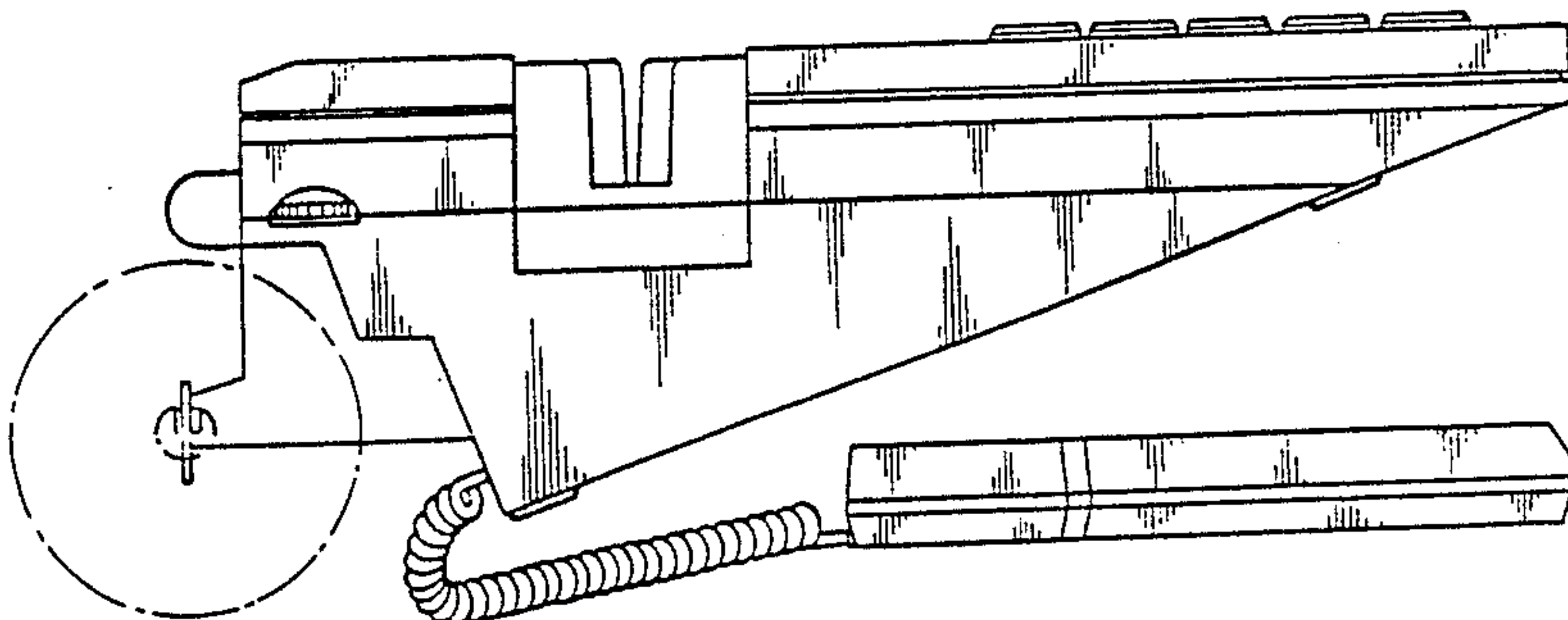


FIG. 5.

