

[54] FLAT FUSE HOLDER

[75] Inventor: Richard F. Wharton, Glenview, Ill.

[73] Assignee: Saflo Corporation, Chicago, Ill.

[\*\*] Term: 14 Years

[21] Appl. No.: 140,592

[22] Filed: Jan. 4, 1988

[52] U.S. Cl. .... D13/161

[58] Field of Search ..... D13/35, 99; 337/255, 337/260, 263, 186; 439/620, 621, 622

[56] References Cited

U.S. PATENT DOCUMENTS

D. 257,559	11/1980	Myles	.....	D13/35
D. 265,988	8/1982	Gordon	.....	D13/35
D. 276,427	11/1984	Gordon	.....	D13/35
2,675,693	4/1954	Emery	.....	206/266 X
4,772,219	9/1988	Falchetti	.....	439/622 X

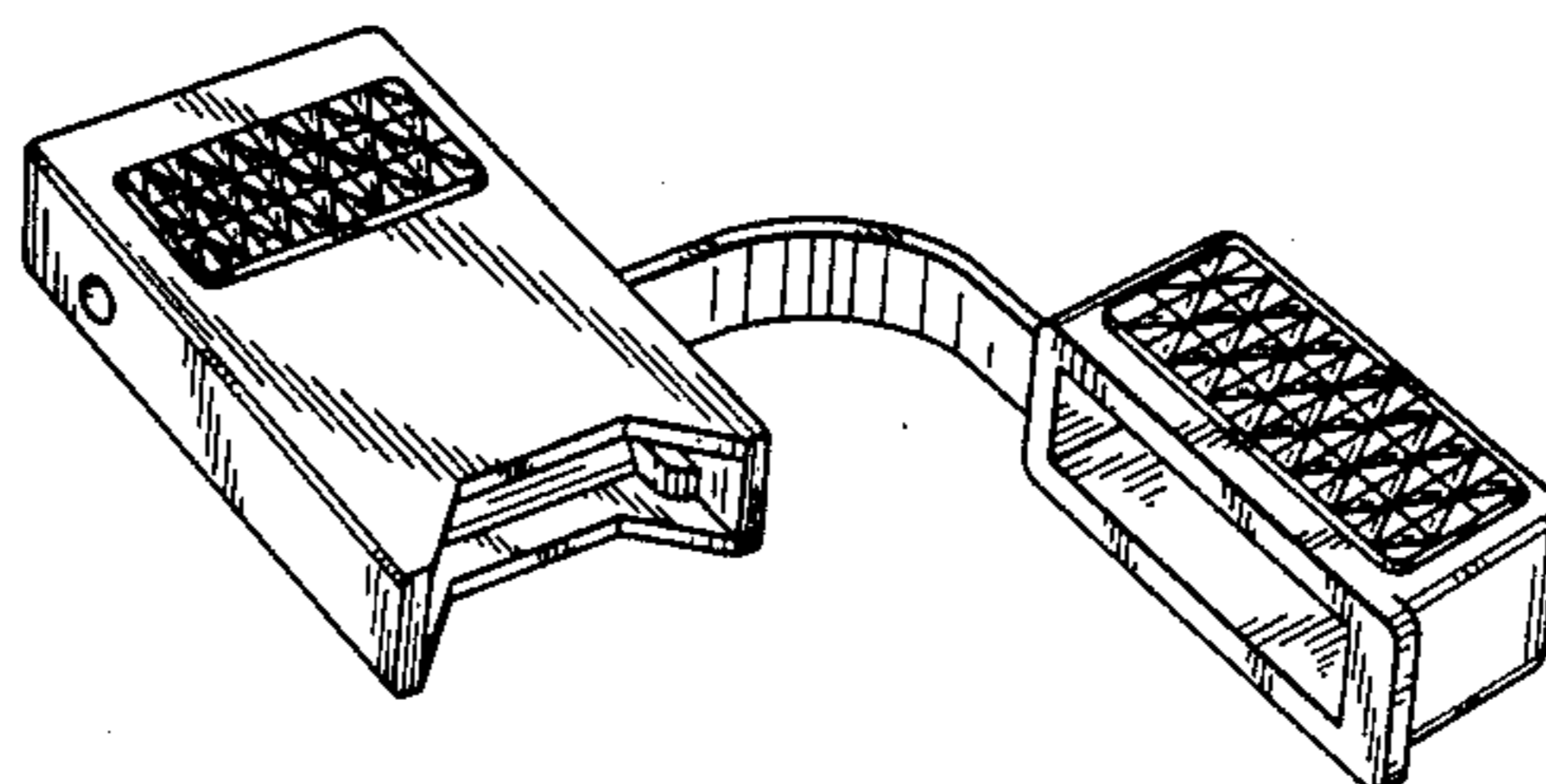
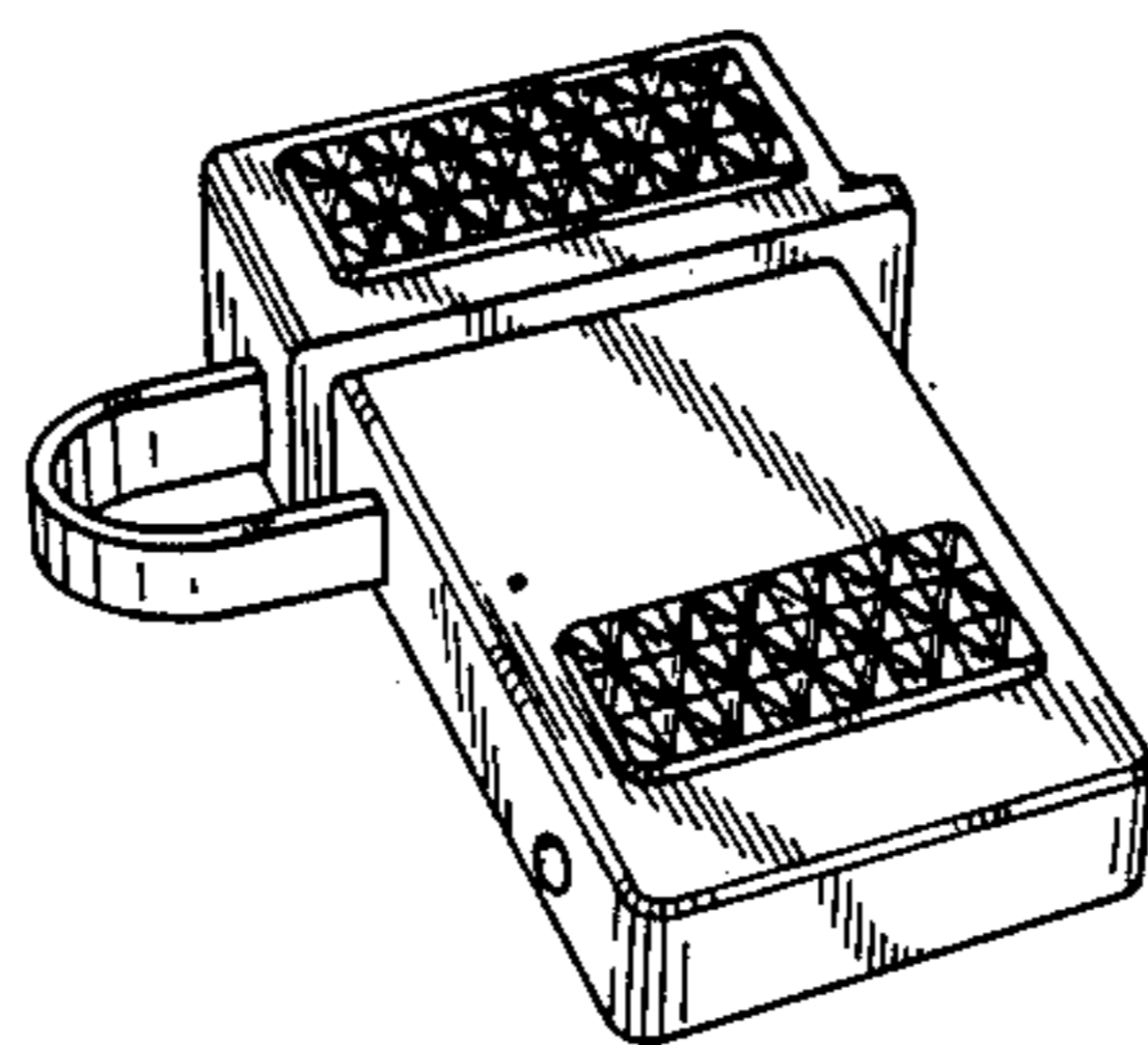
Primary Examiner—Susan J. Lucas  
Assistant Examiner—Joel Sincavage  
Attorney, Agent, or Firm—Gerald M. Newman

[57] CLAIM

The ornamental design for a flat fuse holder, as shown and described.

DESCRIPTION

FIG. 1 is a perspective view of a flat fuse holder embodying the present design, showing the device in its capped position;  
FIG. 2 is a perspective view thereof, shown in its uncapped position;  
FIG. 3 is a top plan view of a flat fuse holder showing my new design in the capped position;  
FIG. 4 is a bottom plan view thereof;  
FIG. 5 is a right side elevational view thereof;  
FIG. 6 is a left side elevational view thereof;  
FIG. 7 is a front elevational view thereof; and  
FIG. 8 is a rear elevational view thereof.



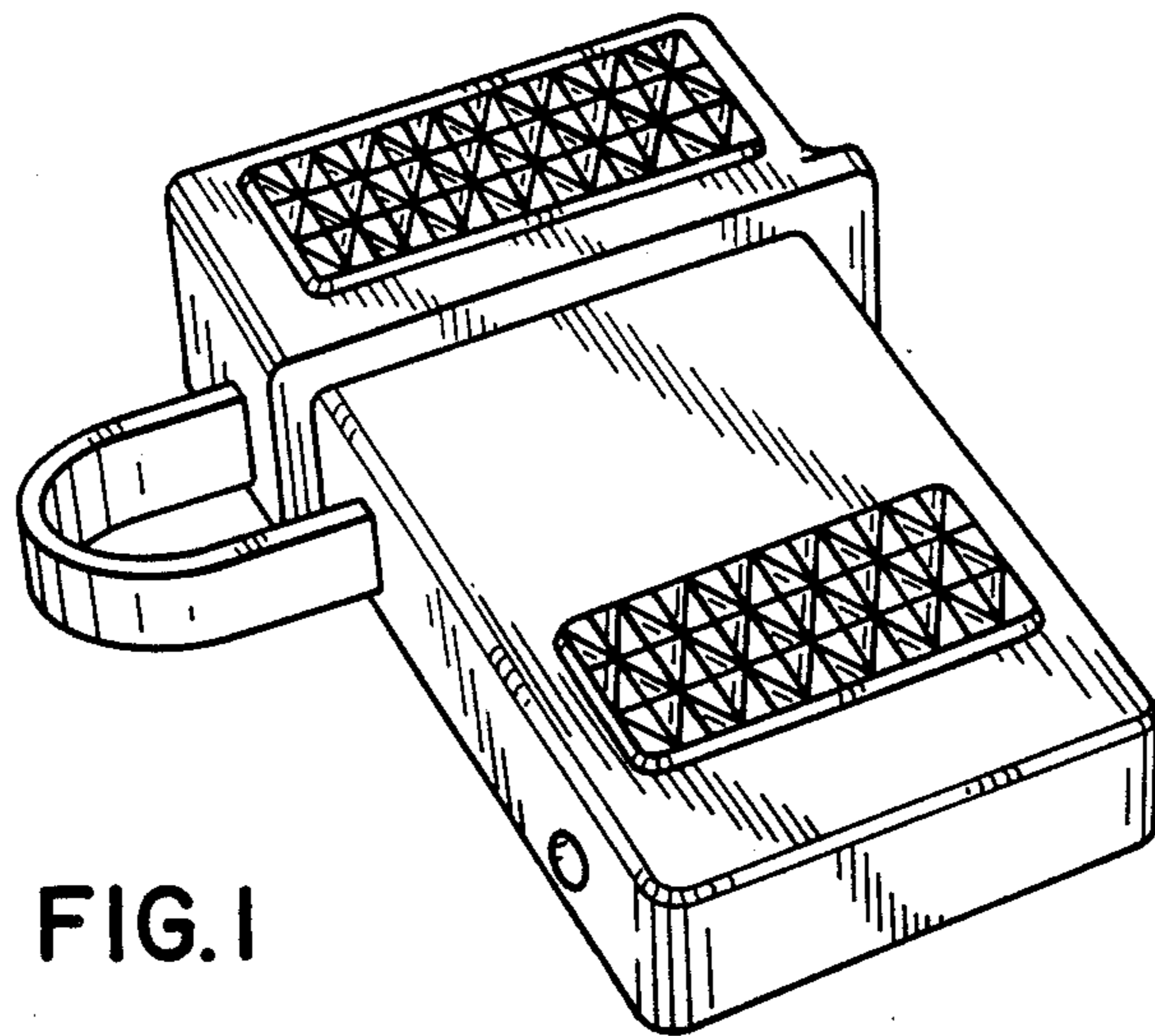


FIG. 1

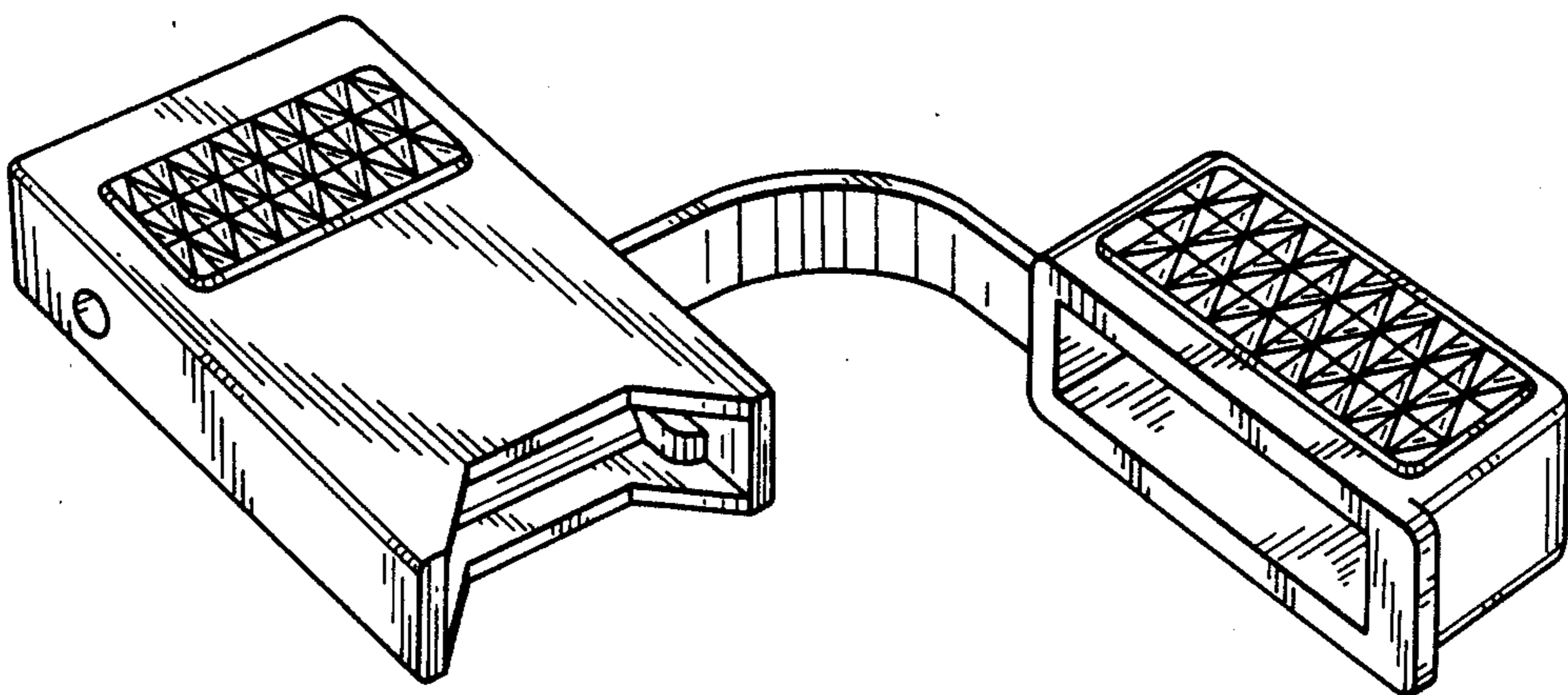


FIG. 2

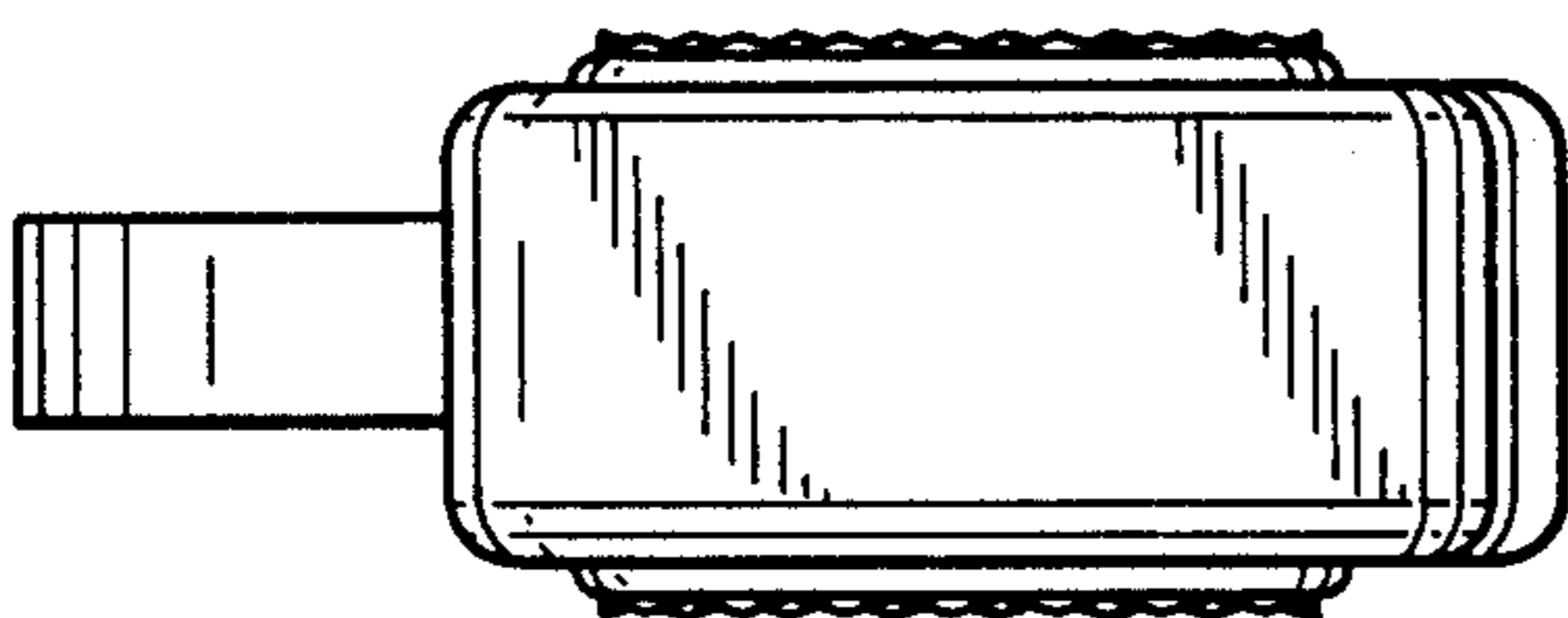


FIG. 3

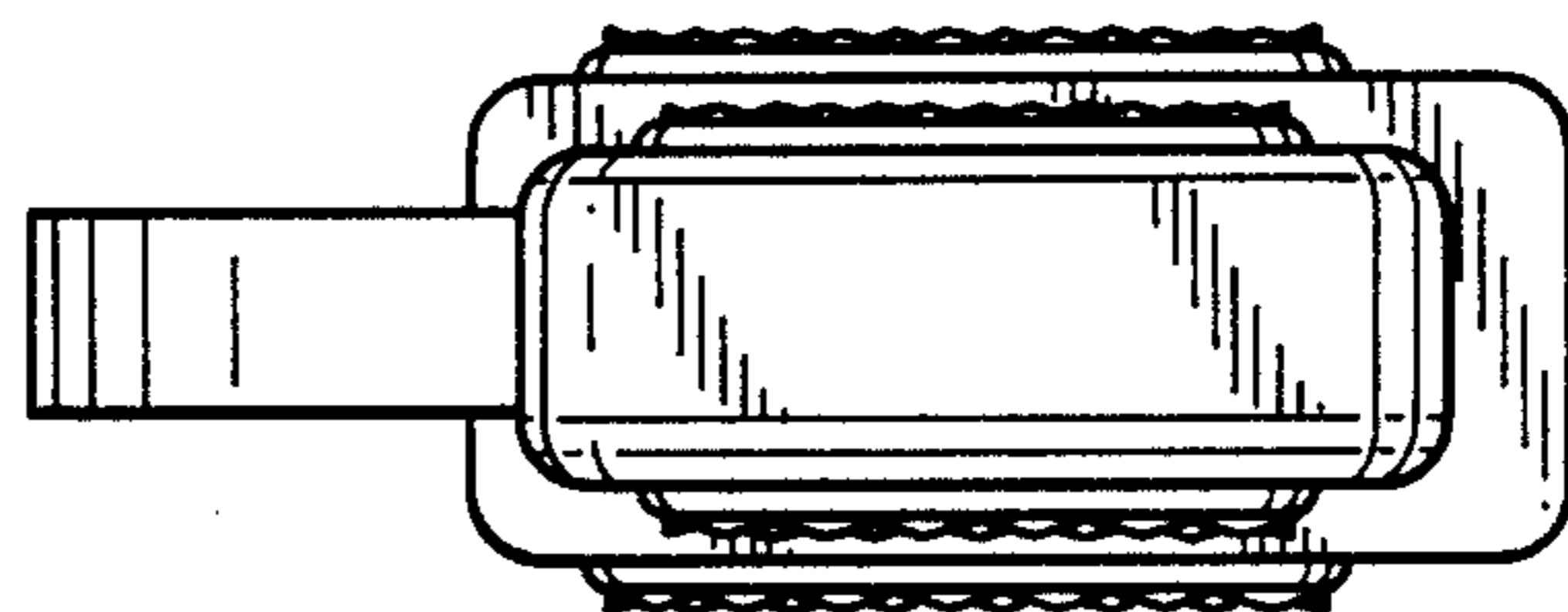


FIG. 4

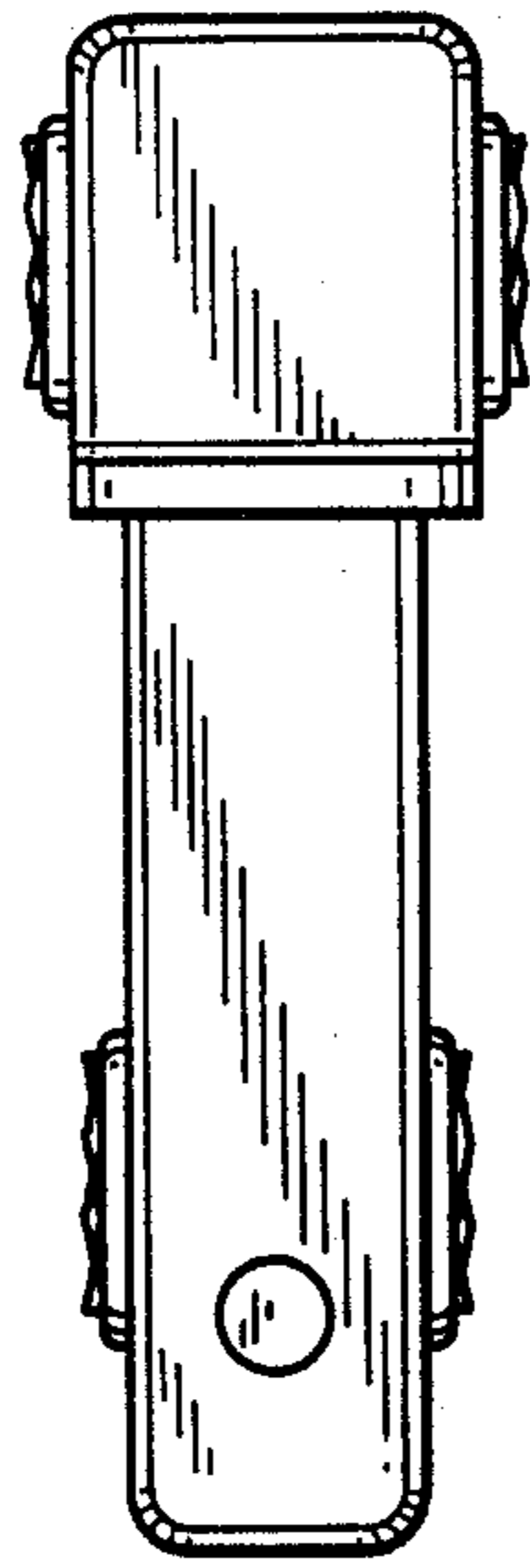


FIG. 5

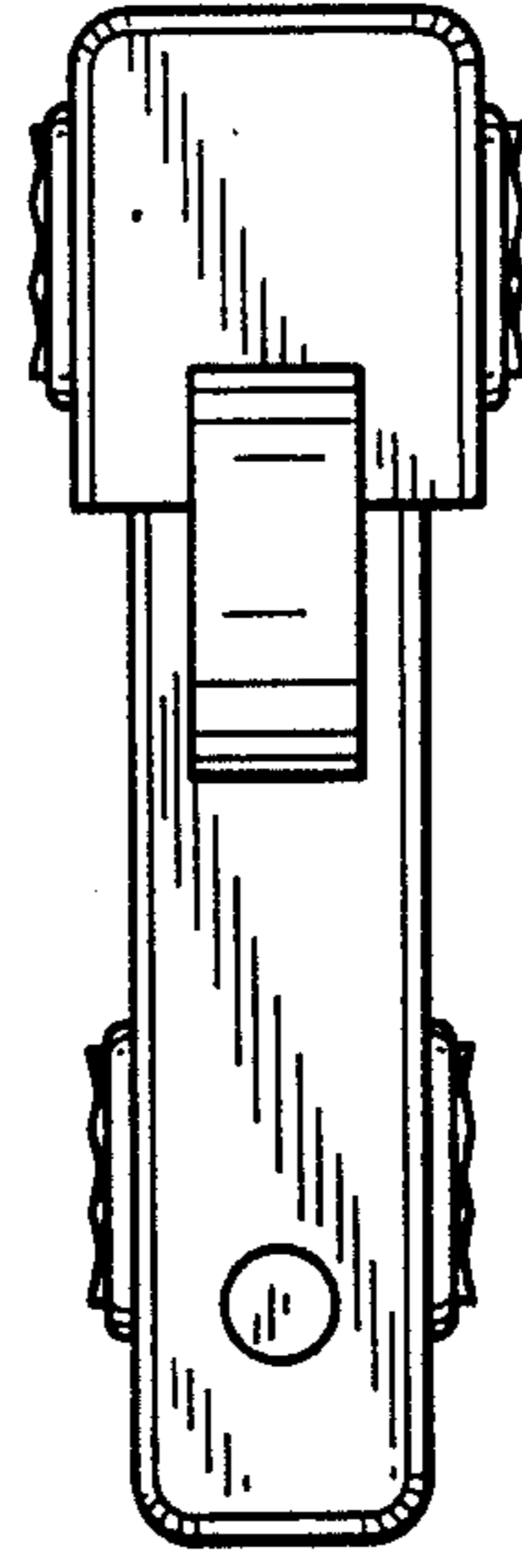


FIG. 6

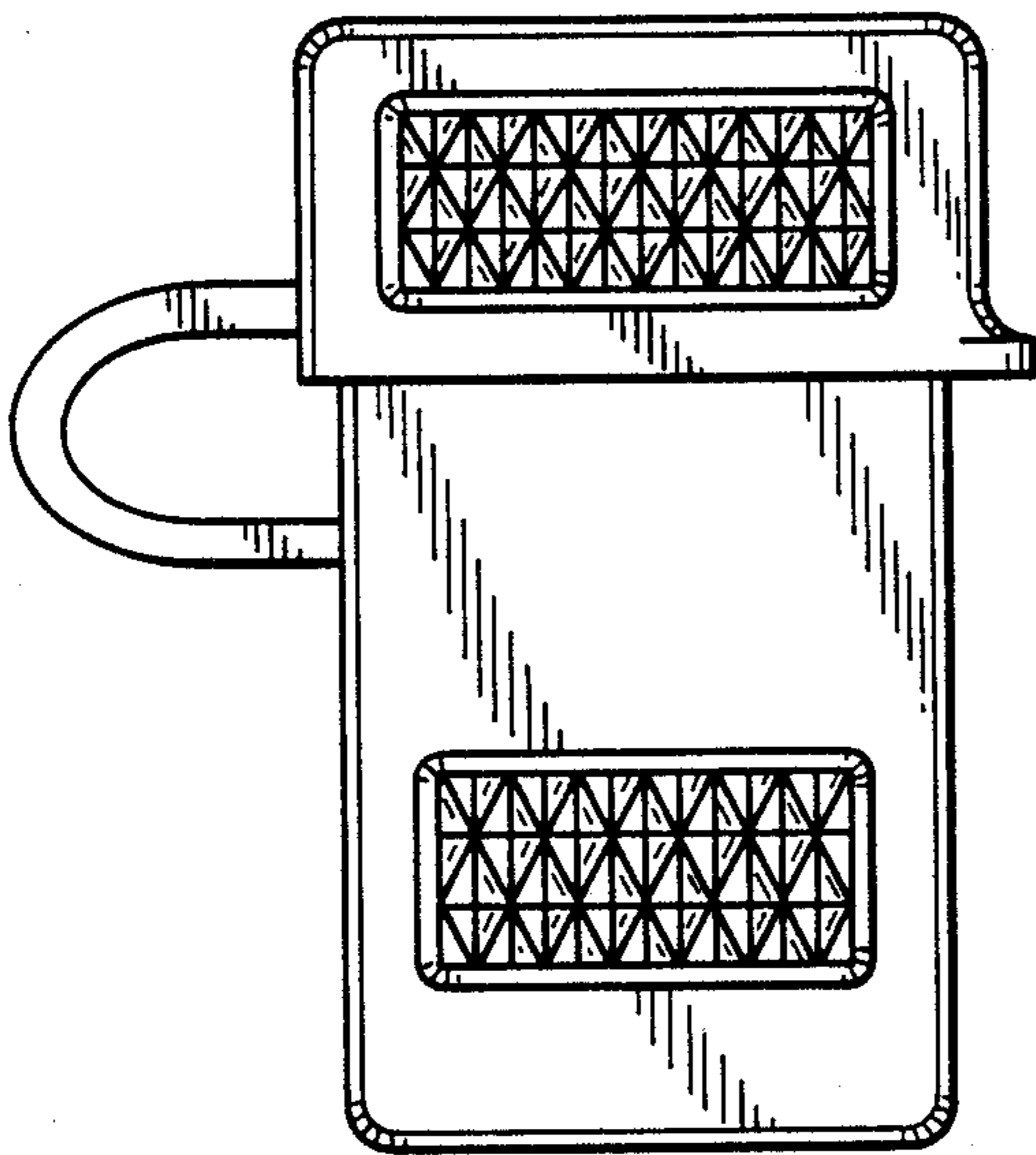


FIG. 7

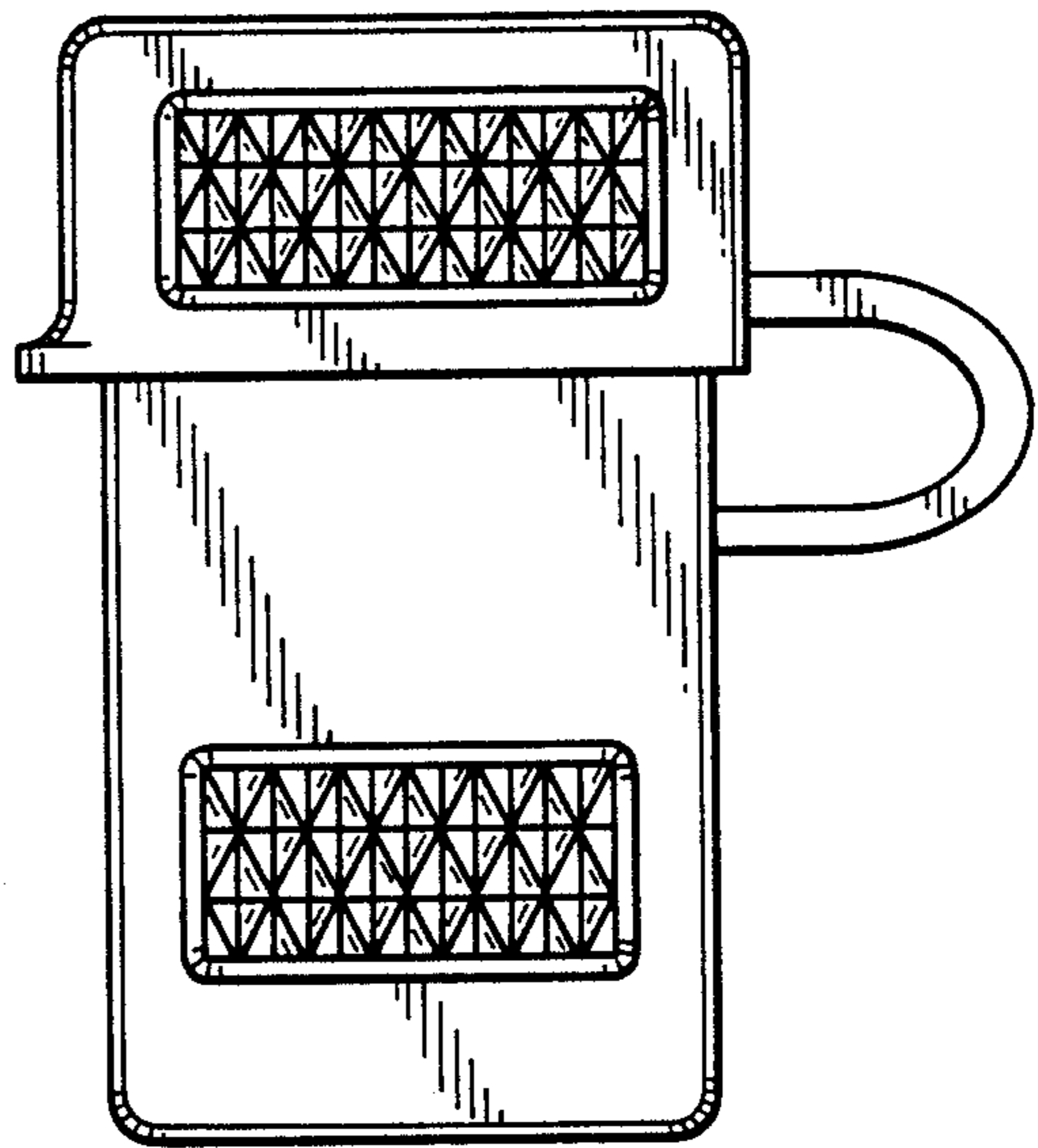


FIG. 8