

[54] HOUSING FOR AN ELECTRICAL CONNECTOR

[75] Inventors: Takayoshi Endo; Sakai Yagi; Satoshi Yamada, all of Gotenba, Japan

[73] Assignee: Yazaki Corp., Japan

[**] Term: 14 Years

[21] Appl. No.: 108,299

[22] Filed: Oct. 13, 1987

[52] U.S. Cl. D13/147

[58] Field of Search D13/24, 27-31; 439/578, 586-592, 595, 603, 606, 607; 610/598, 629, 630, 631, 680, 681, 692, 347, 350

[56] References Cited

U.S. PATENT DOCUMENTS

D. 251,491	4/1979	Snyder, Jr. et al.	D13/24
D. 252,082	6/1979	Voelkert	D13/24
D. 253,409	11/1979	Voelkert	D13/24
3,137,535	6/1964	Collier et al.	439/680 X
4,639,061	1/1987	Muzslay	439/587
4,711,508	12/1987	Sueyoshi	439/595

Primary Examiner—Susan J. Lucas

Attorney, Agent, or Firm—Jones, Askew & Lunsford

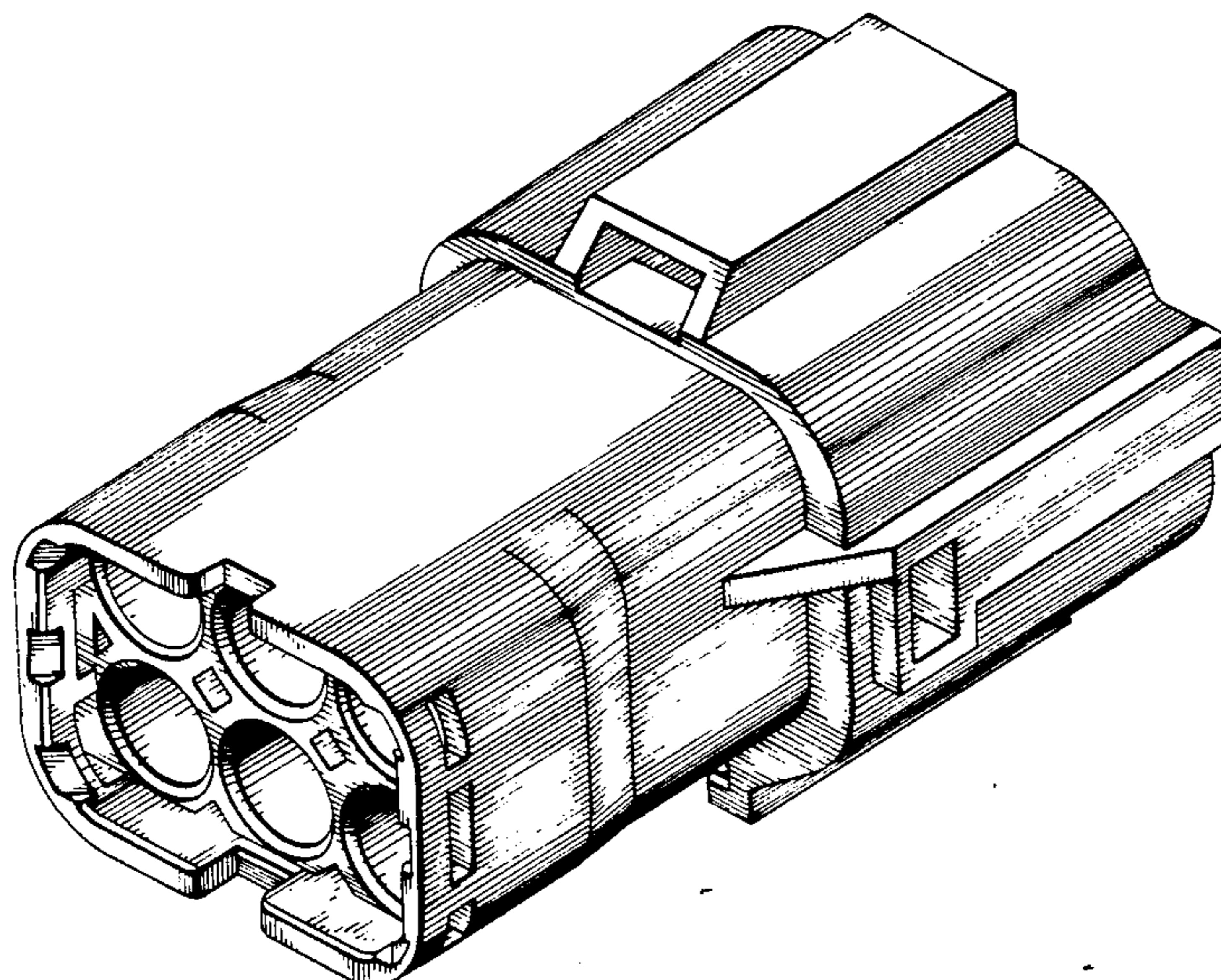
[57] CLAIM

The ornamental design for a housing for an electrical connector, as shown and described.

DESCRIPTION

FIG. 1 is a top, front perspective view of a housing for an electrical connector showing our new design; FIG. 2 is a front elevation view thereof; FIG. 3 is a top plan view thereof;

FIG. 4 is a right side elevation view thereof, the left side being a mirror image; FIG. 5 is a bottom plan view thereof; FIG. 6 is a rear elevation view thereof; FIG. 7 is a cross-section thereof 7—7 as taken along line of FIG. 6; FIG. 8 is a cross-section thereof as taken along line 8—8 of FIG. 6; FIG. 9 is a cross-section thereof as taken along line 9—9 of FIG. 6; FIG. 10 is a top, front perspective view of a second embodiment of our new design; FIG. 11 is a front elevation view thereof; FIG. 12 is a top plan view thereof; FIG. 13 is a right side elevation view thereof, the left side being a mirror image; FIG. 14 is a bottom plan view thereof; FIG. 15 is a rear elevation view thereof; FIG. 16 is a cross-section thereof as taken along line 16—16 of FIG. 15; FIG. 17 is a cross-section thereof as taken along line 17—17 of FIG. 15; FIG. 18 is a cross-section thereof as taken along line 18—18 of FIG. 13; FIG. 19 is a top, front perspective view of a third embodiment of our new design; FIG. 20 is a front elevation view thereof; FIG. 21 is a top plan view thereof; FIG. 22 is a right side elevation view thereof, the left side being a mirror image; FIG. 23 is a bottom plan view thereof; FIG. 24 is a rear elevation view thereof; FIG. 25 is a cross-section thereof as taken along line 25—25 of FIG. 25; FIG. 26 is a cross-section thereof as taken along line 26—26 of FIG. 24; FIG. 27 is a cross-section thereof as taken along line 27—27 of FIG. 24.



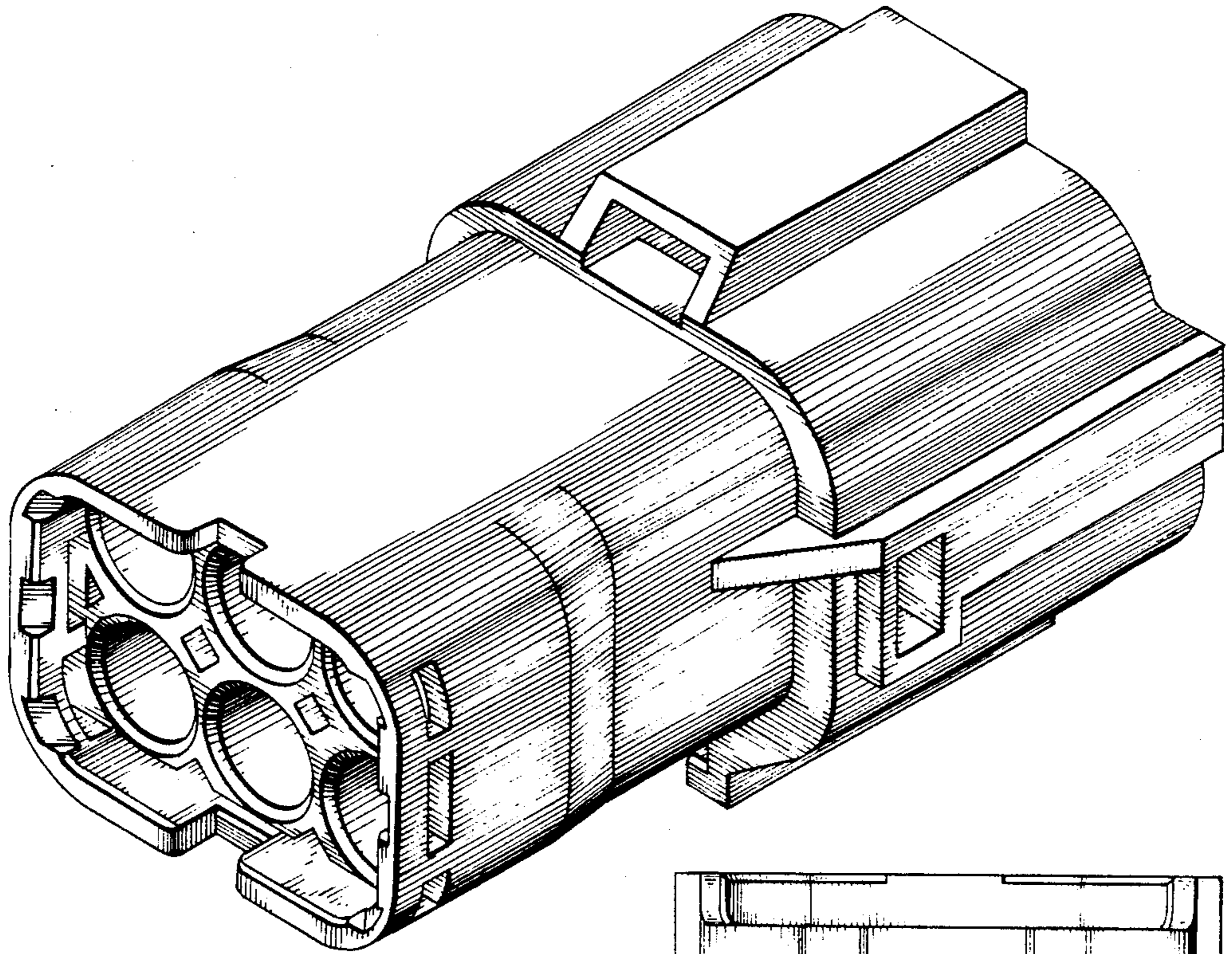


FIG 1

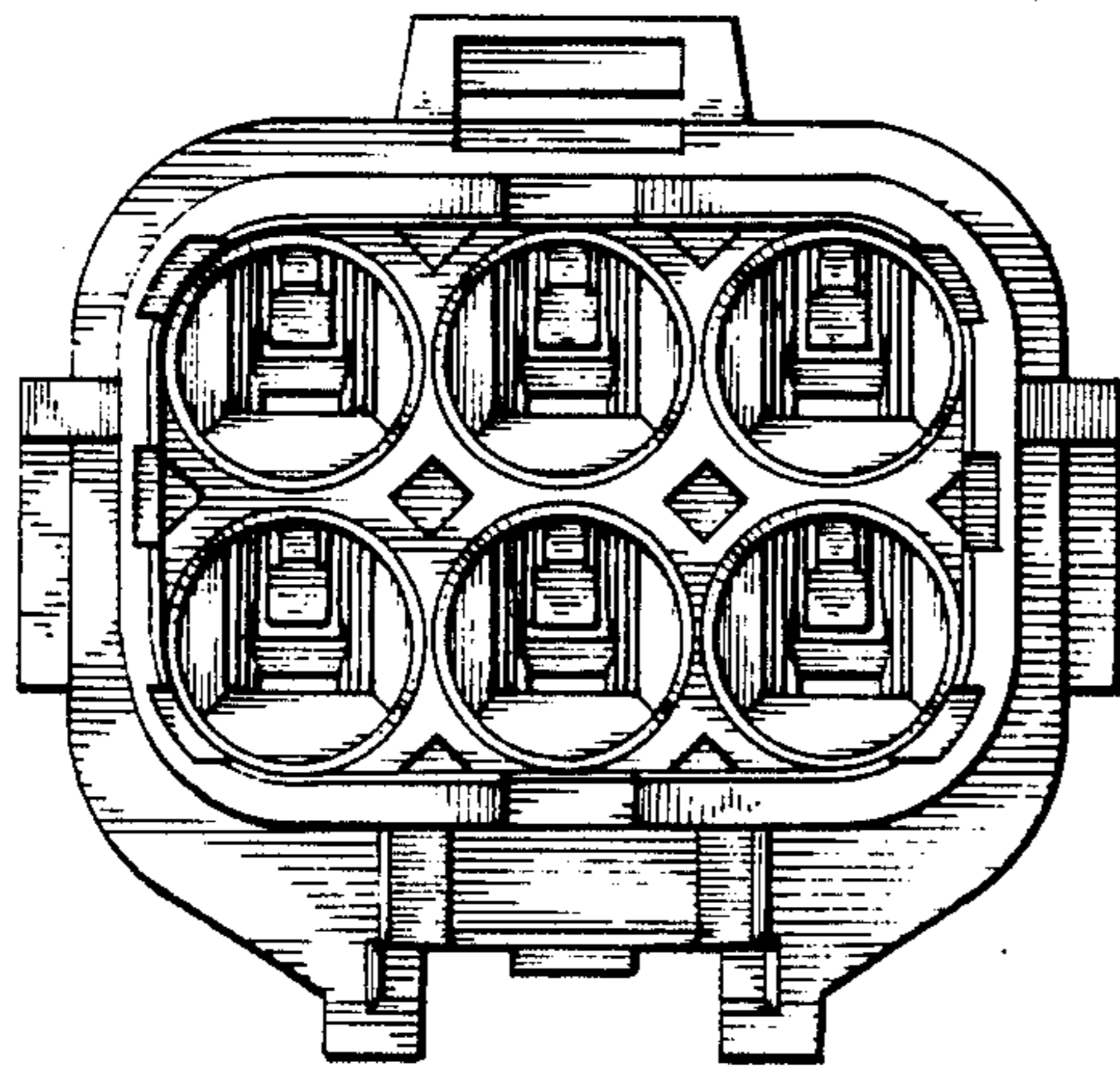


FIG 2

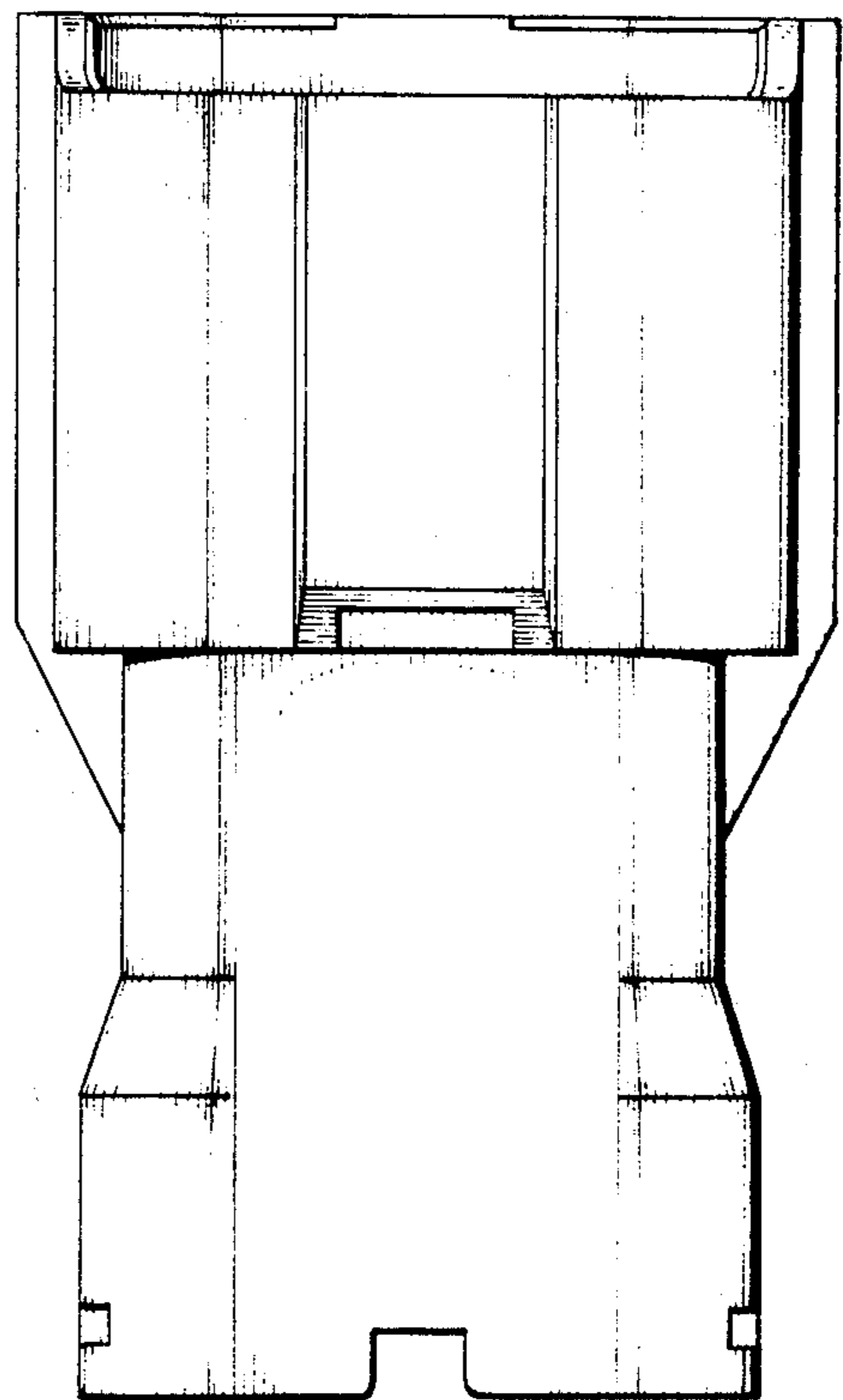


FIG 3

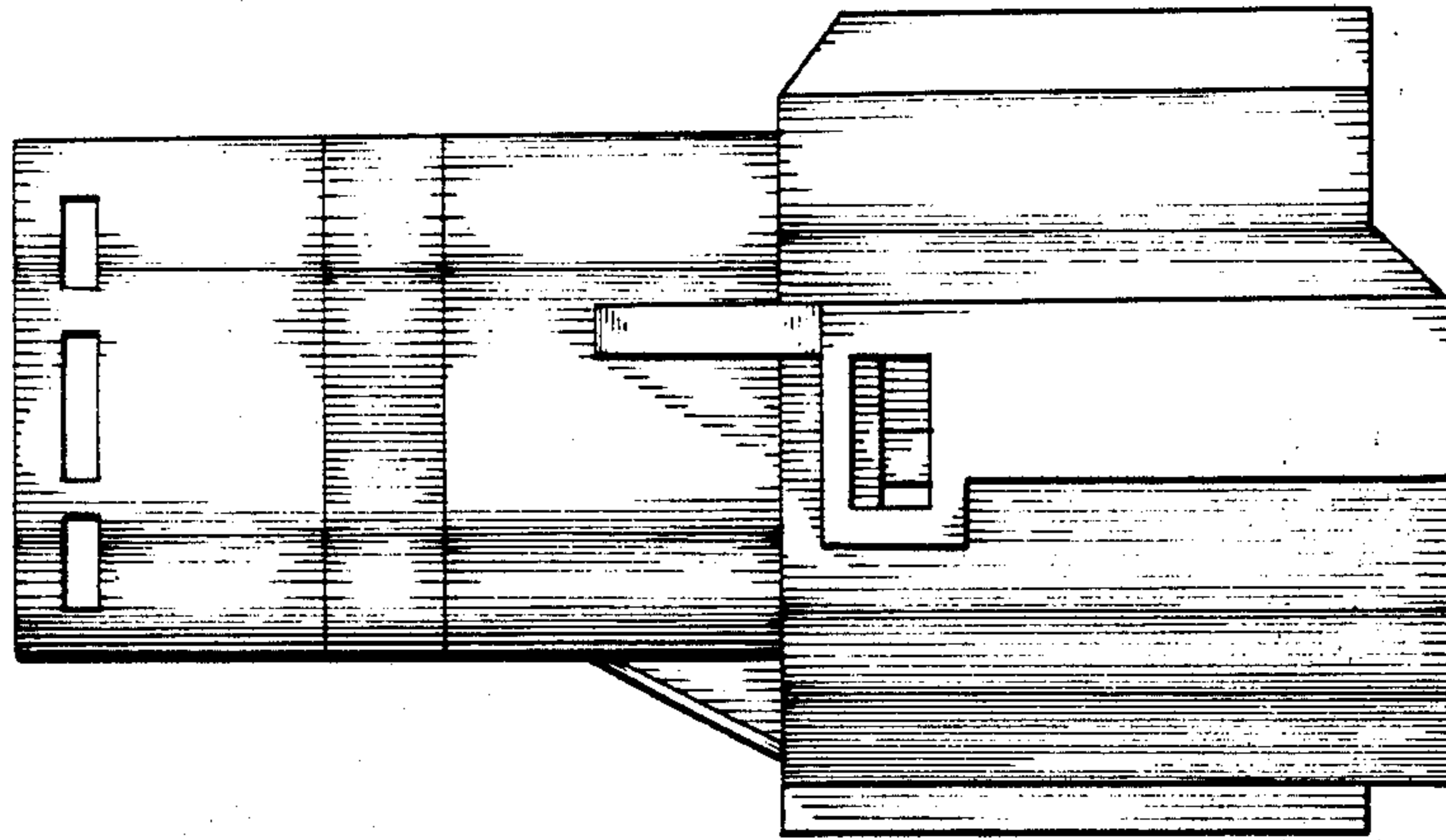


FIG 4

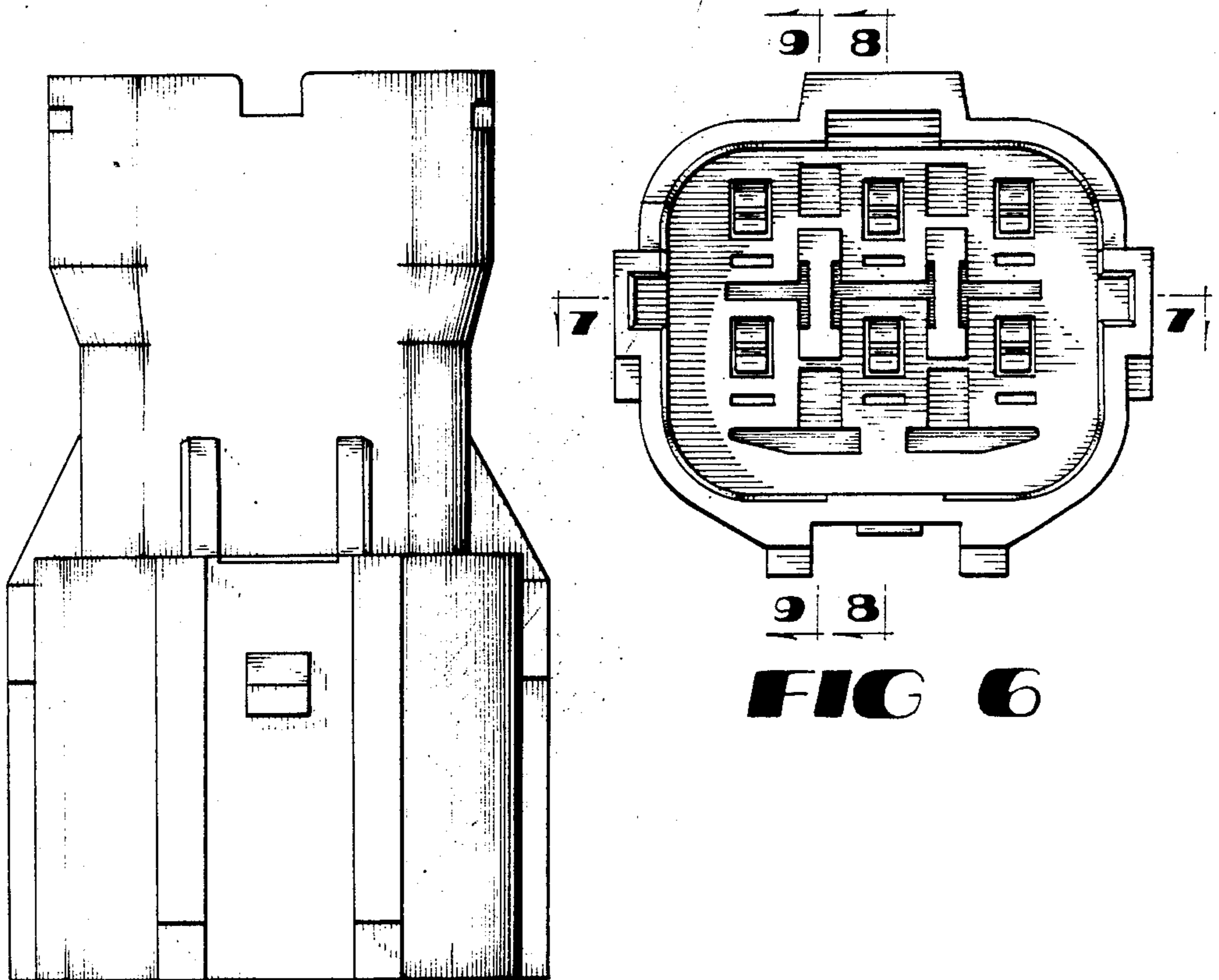


FIG 5

FIG 6

FIG 7

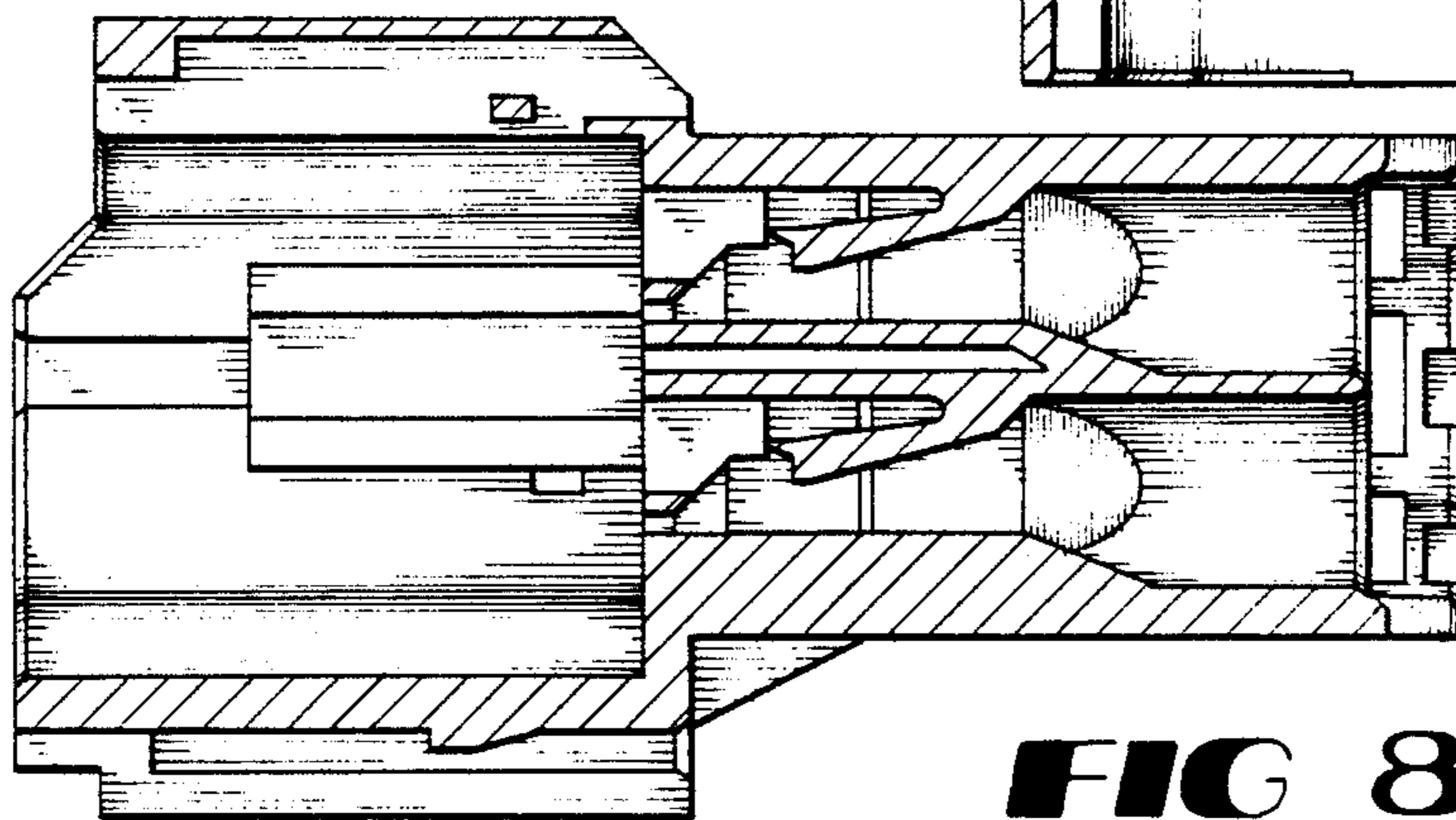
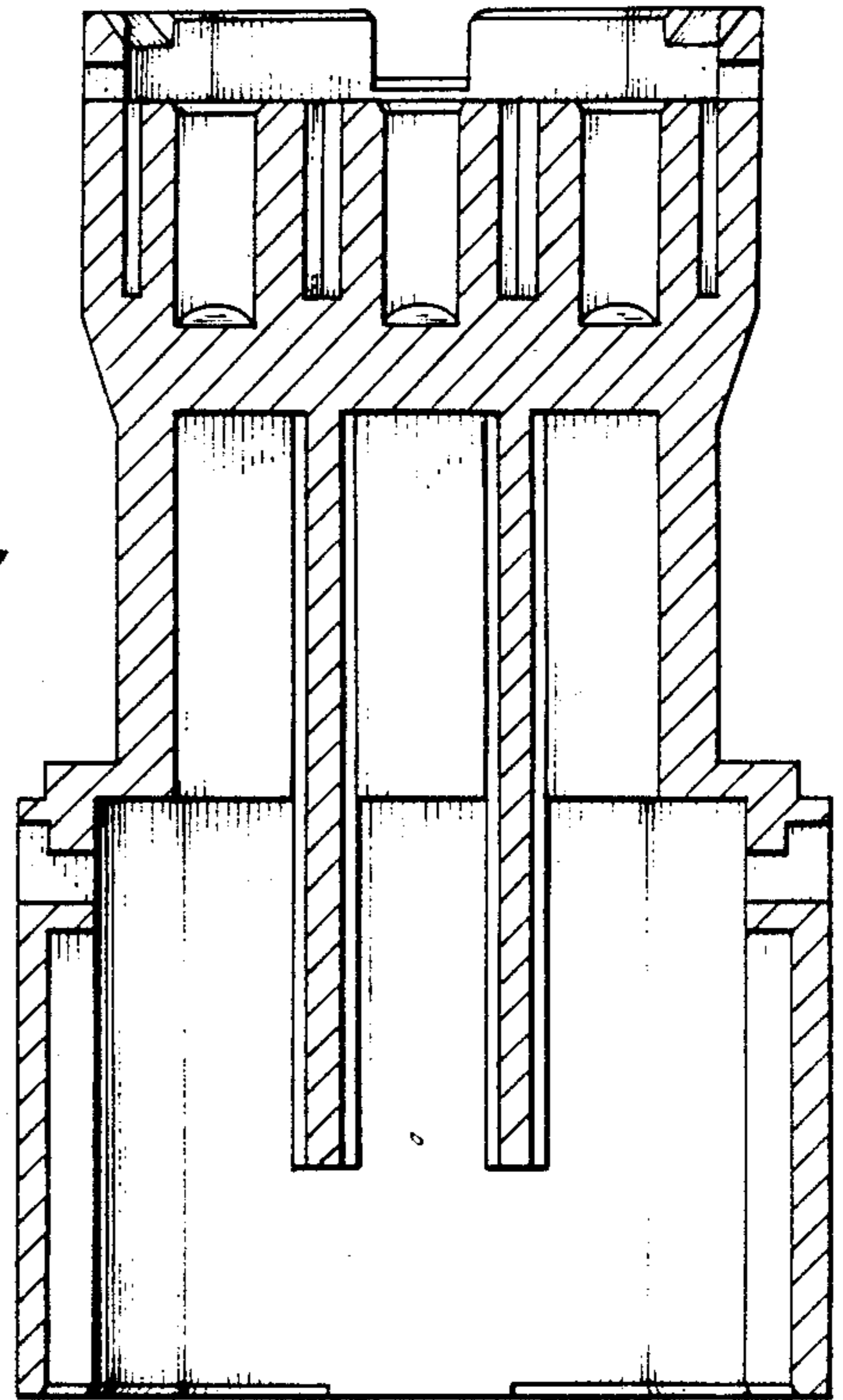


FIG 8

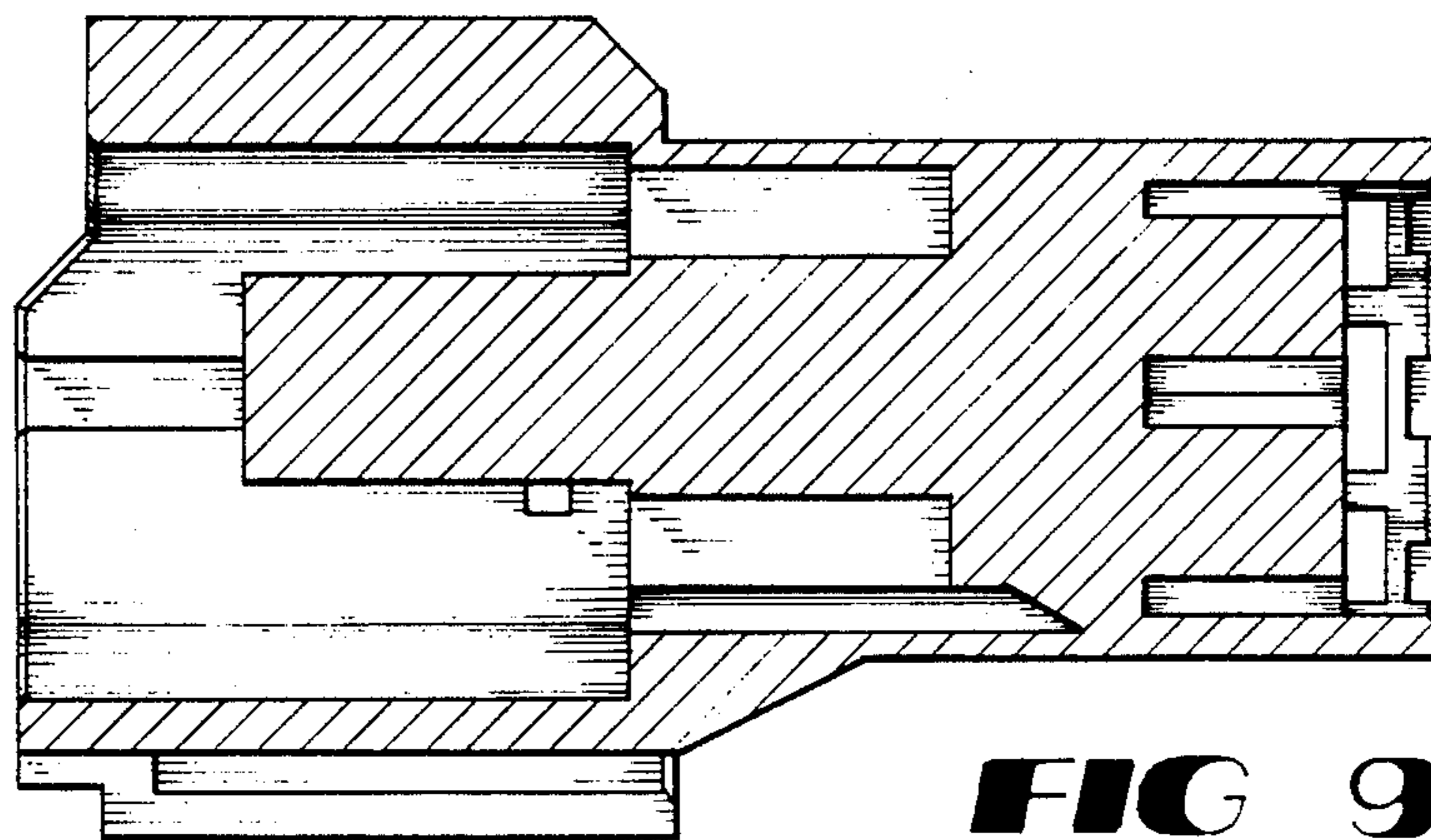


FIG 9

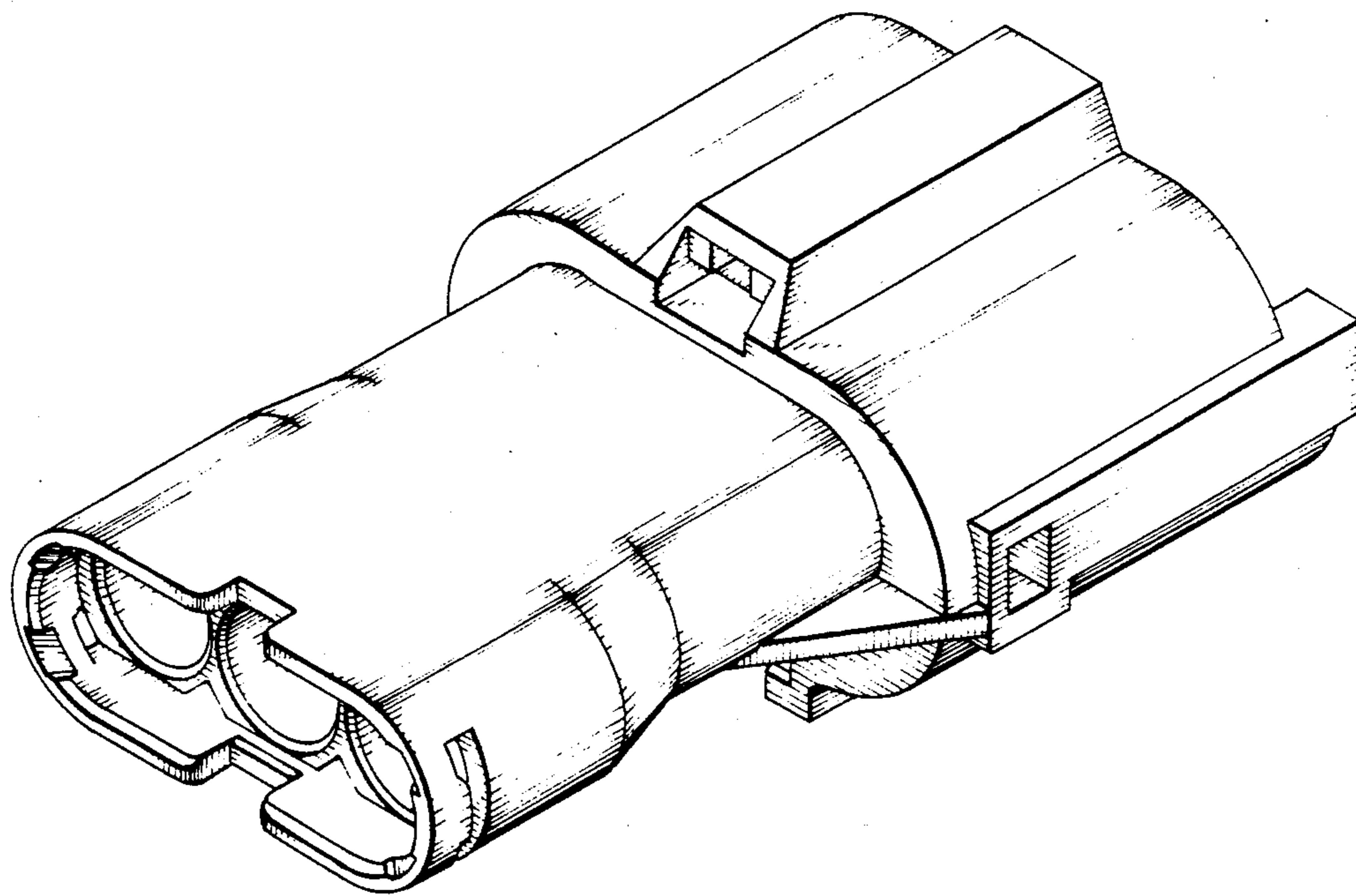


FIG 10

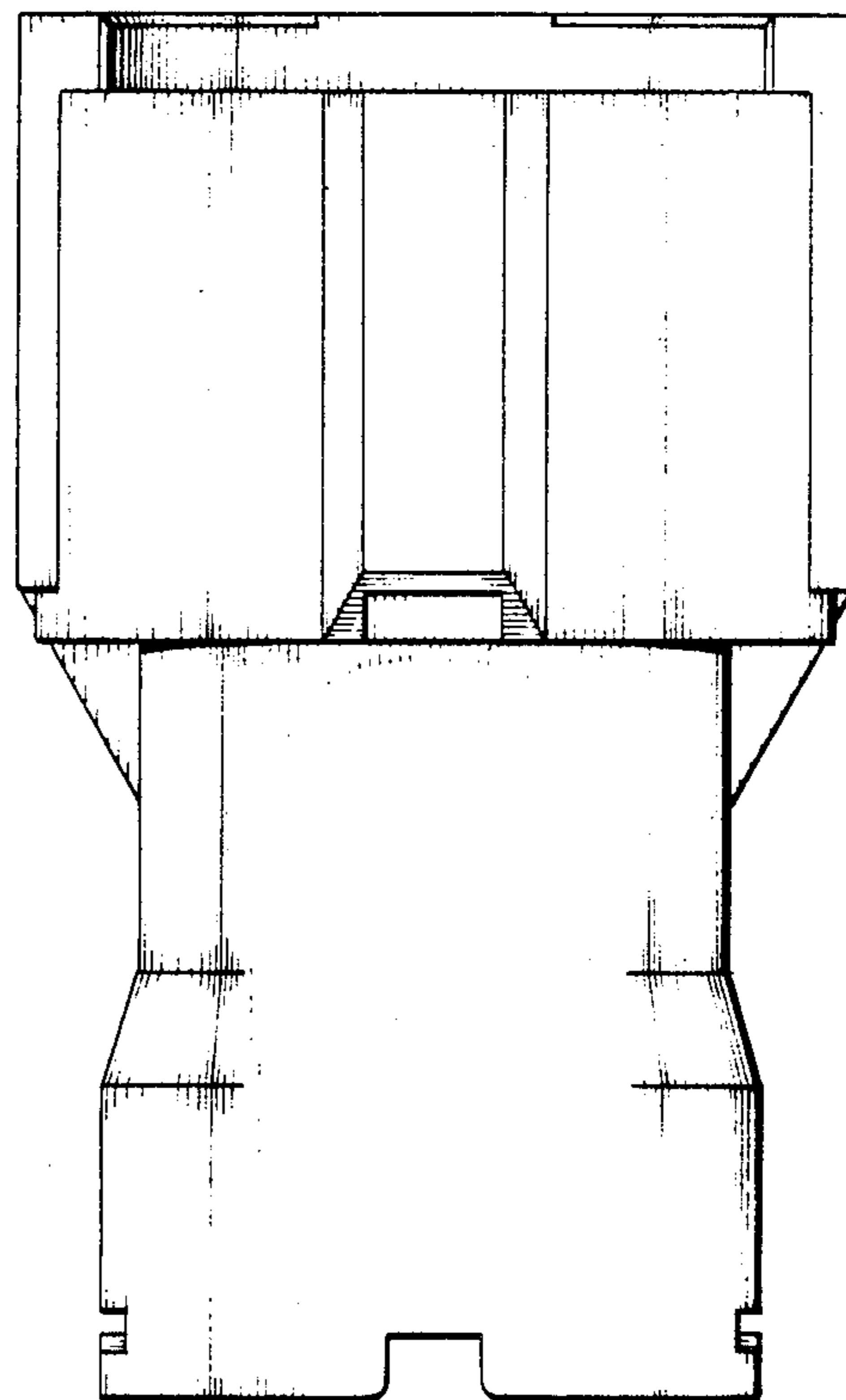


FIG 12

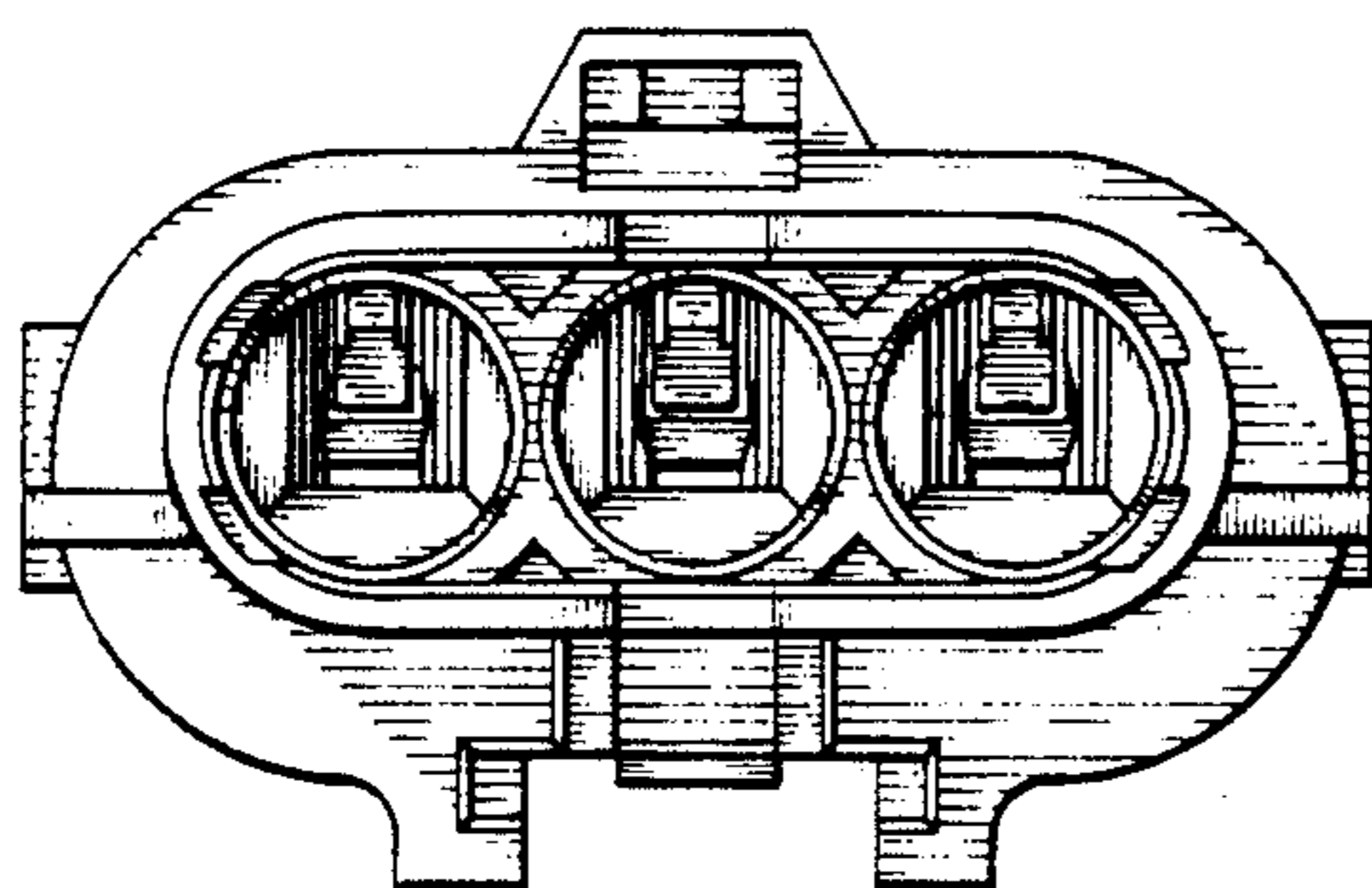


FIG 11

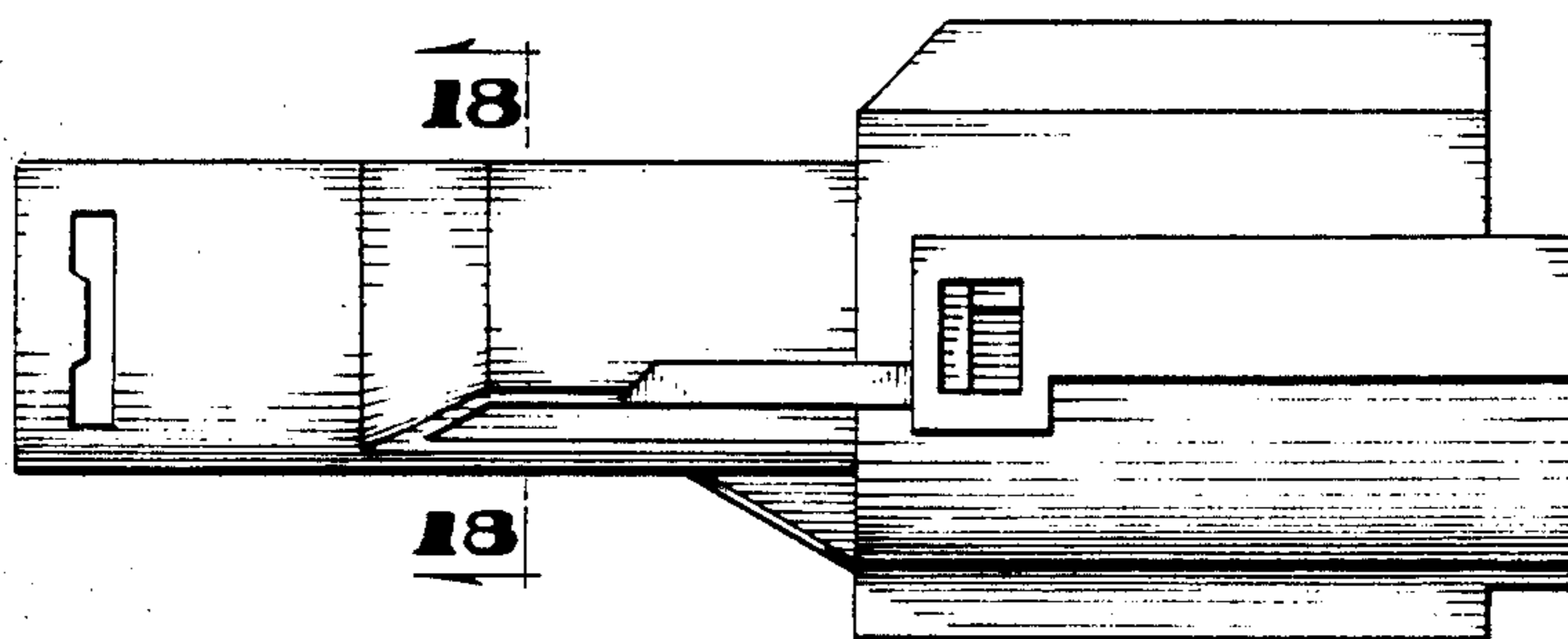


FIG 13

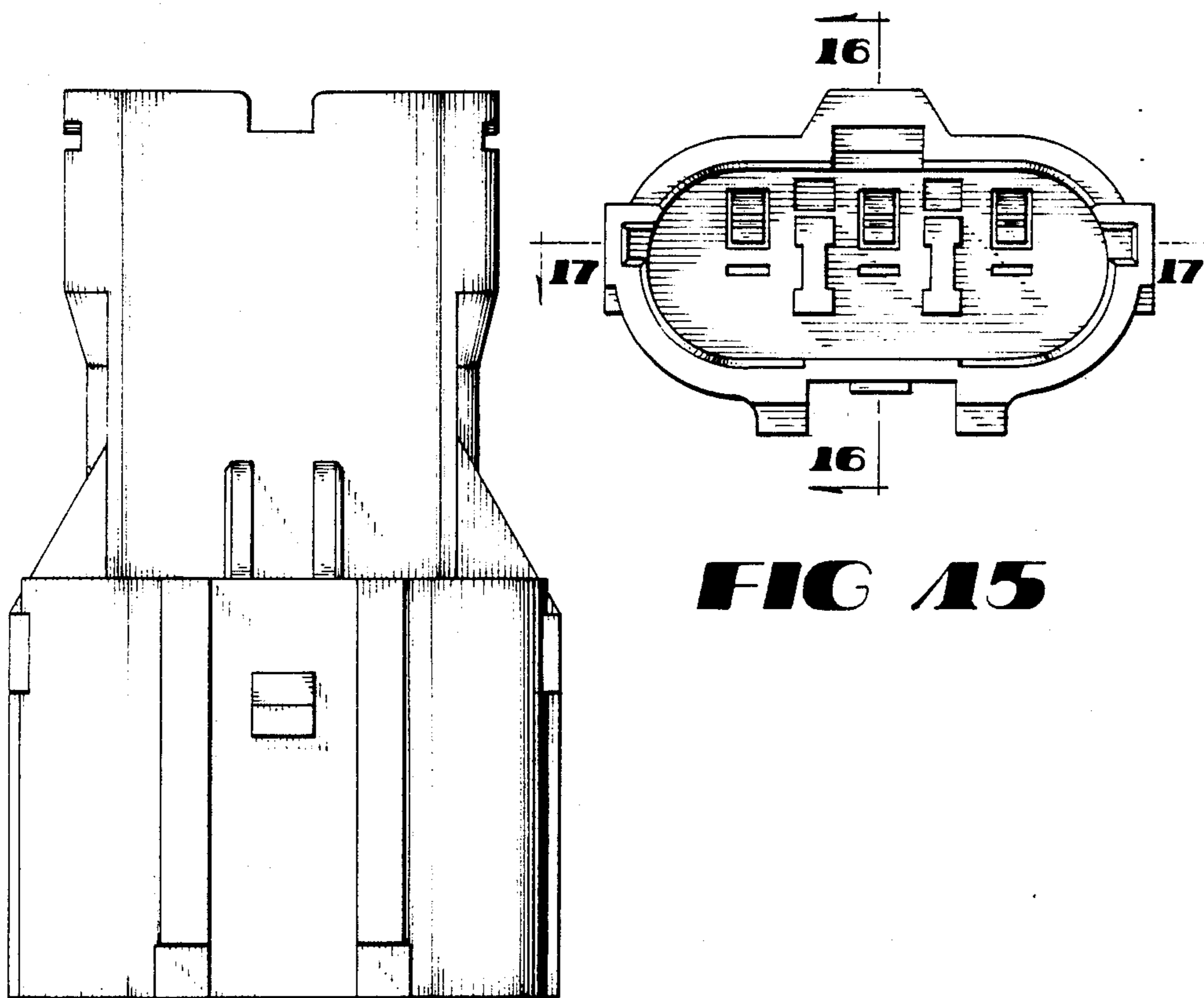


FIG 14

FIG 15

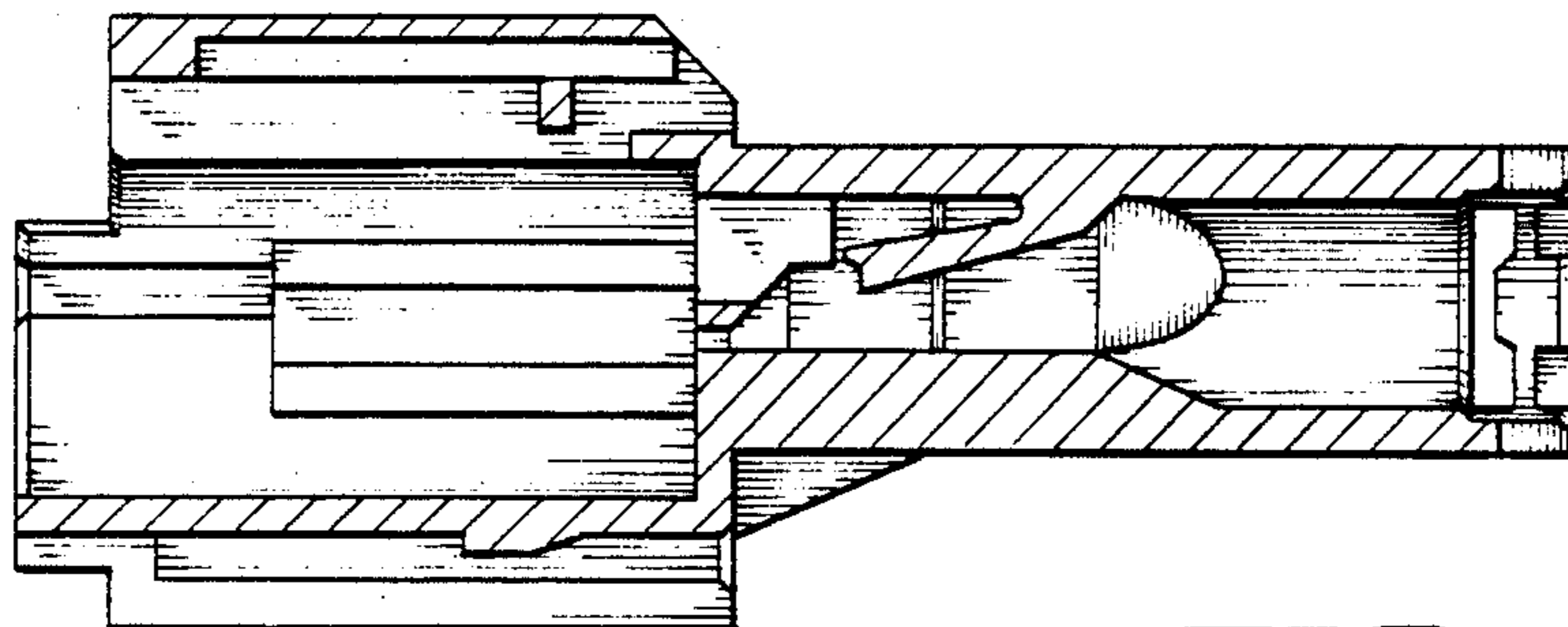


FIG 16

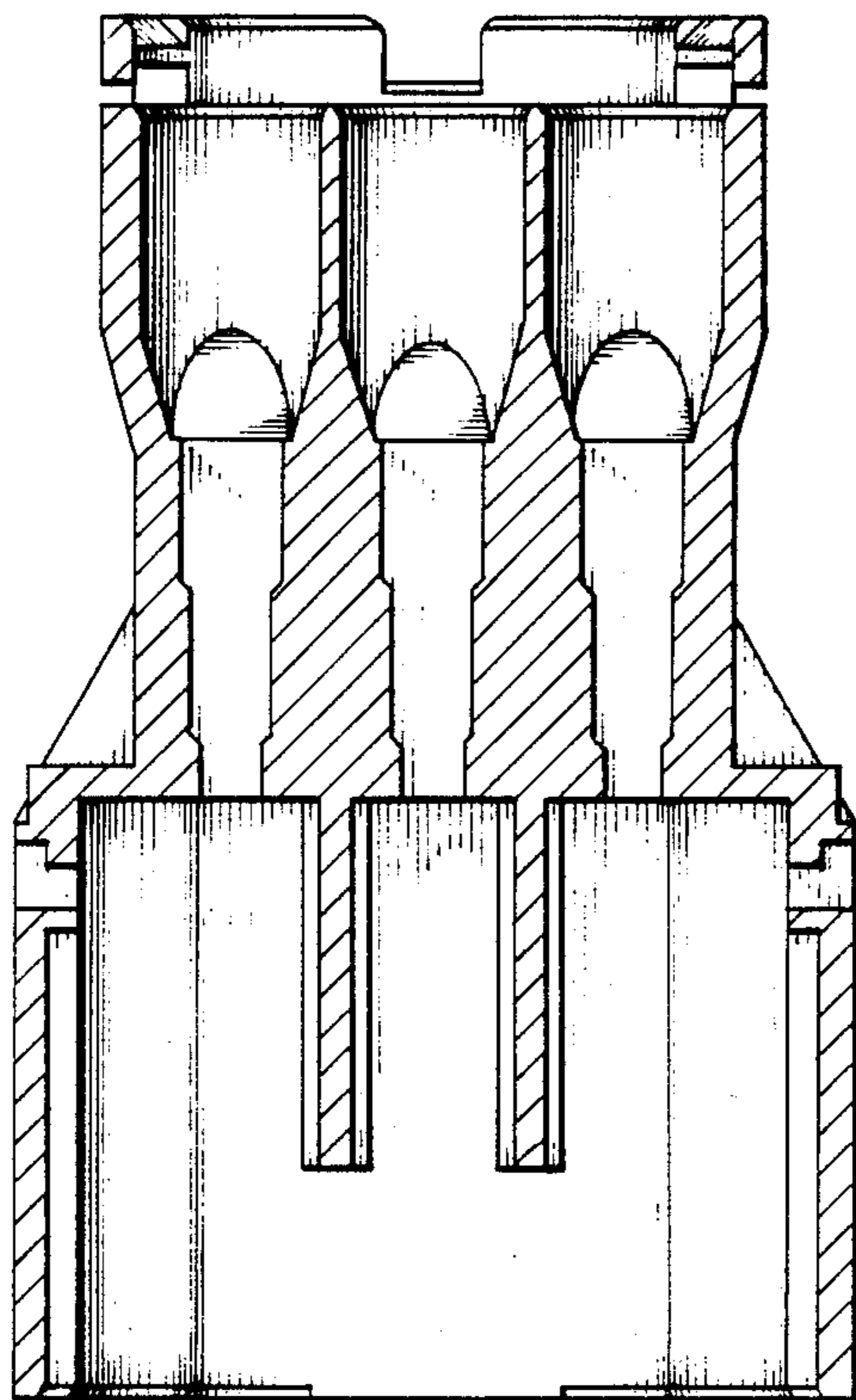


FIG 17

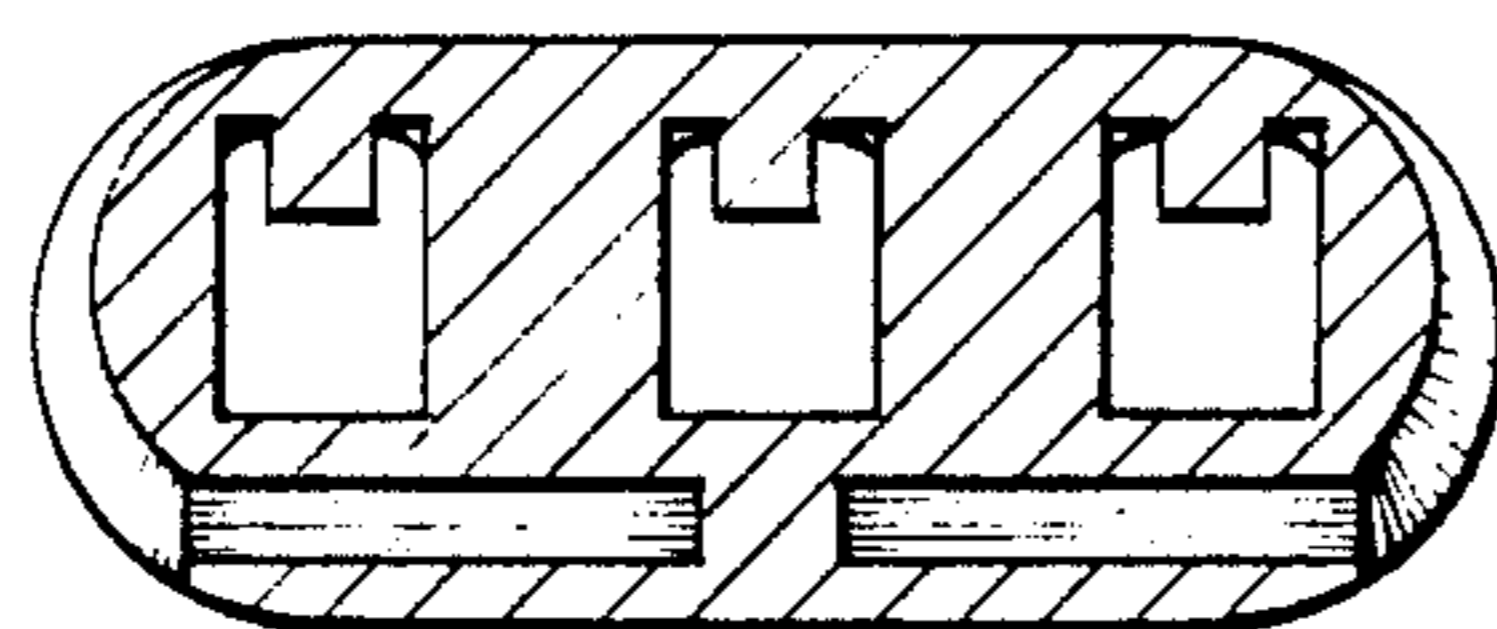


FIG 18

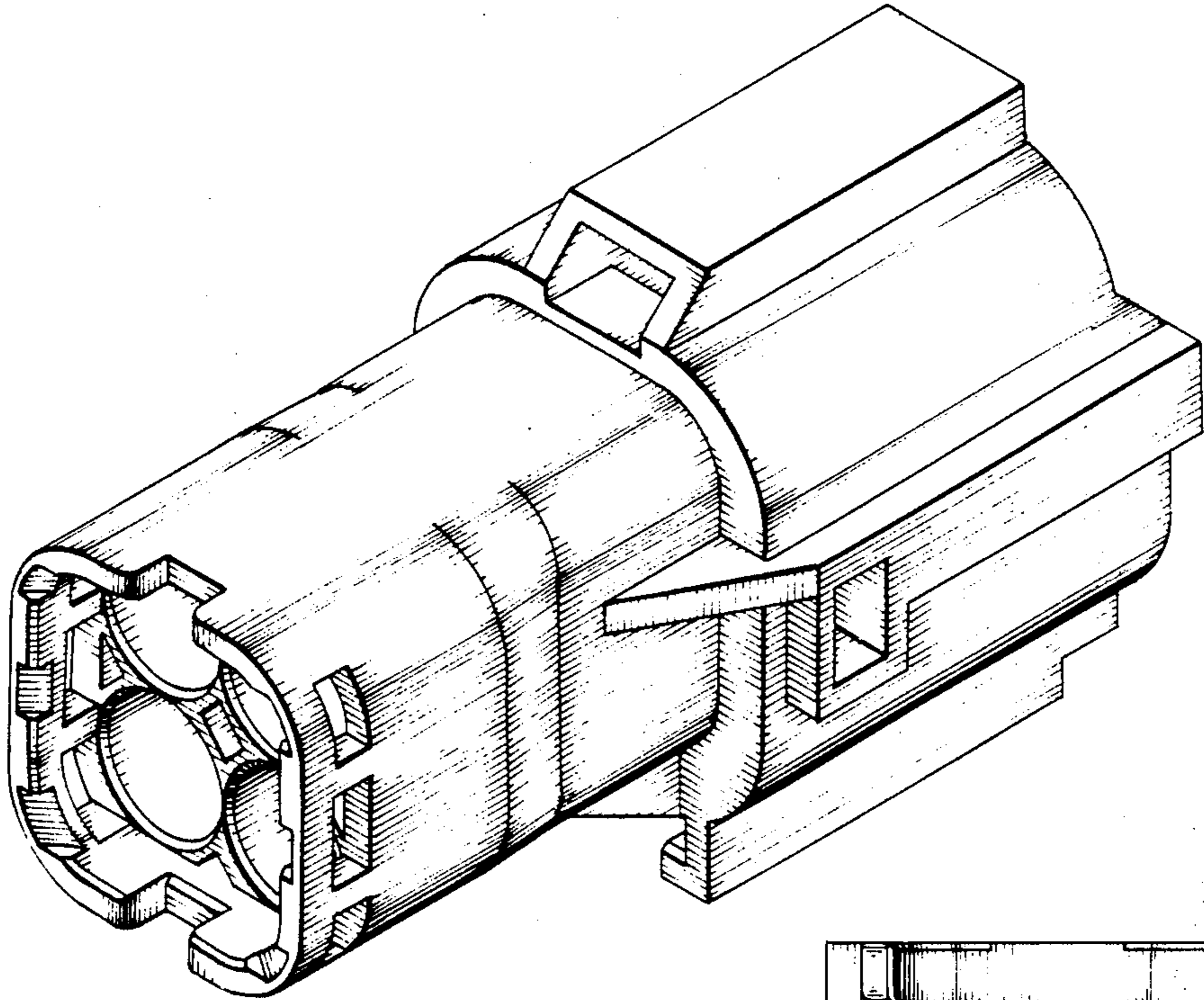


FIG 19

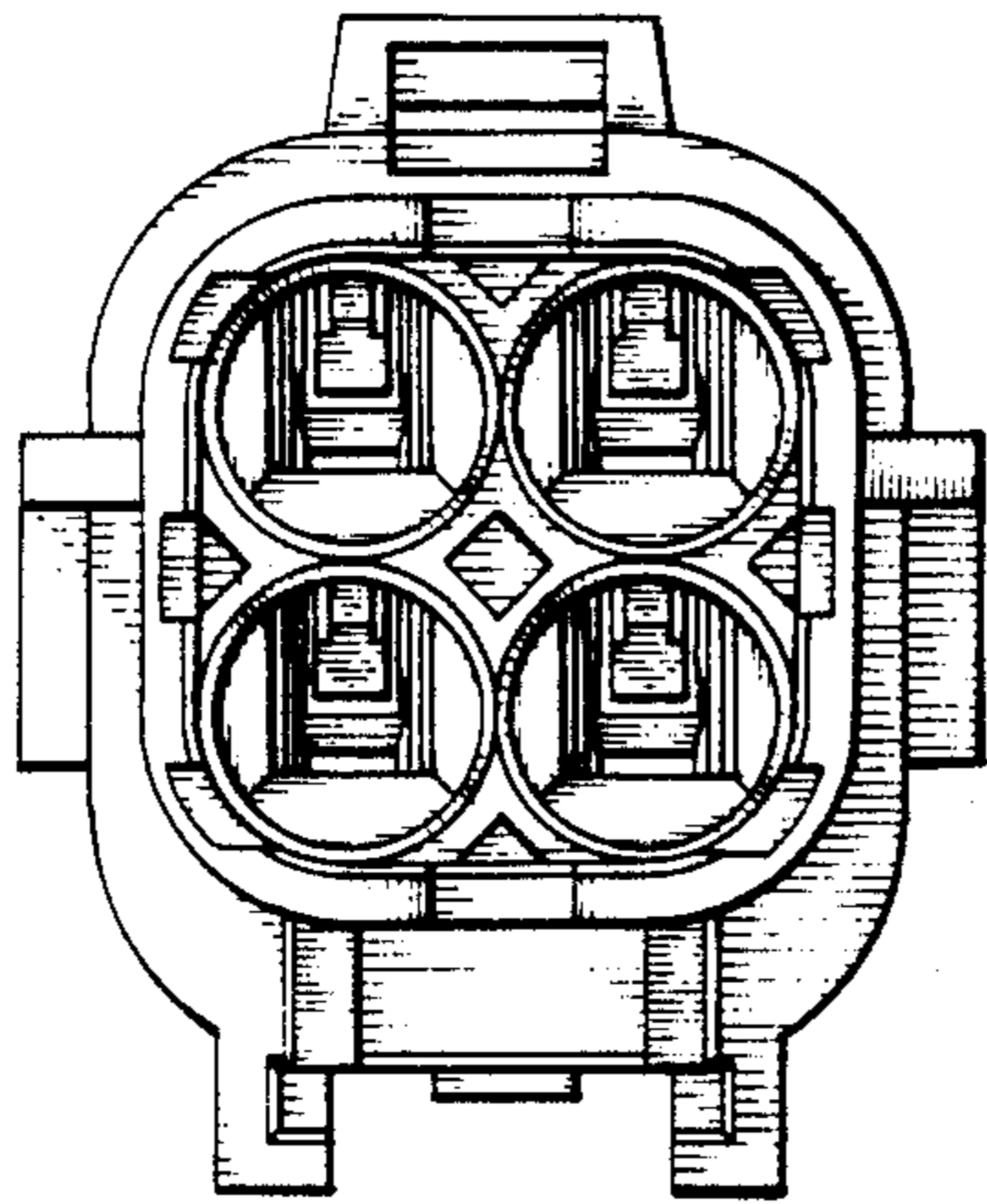


FIG 20

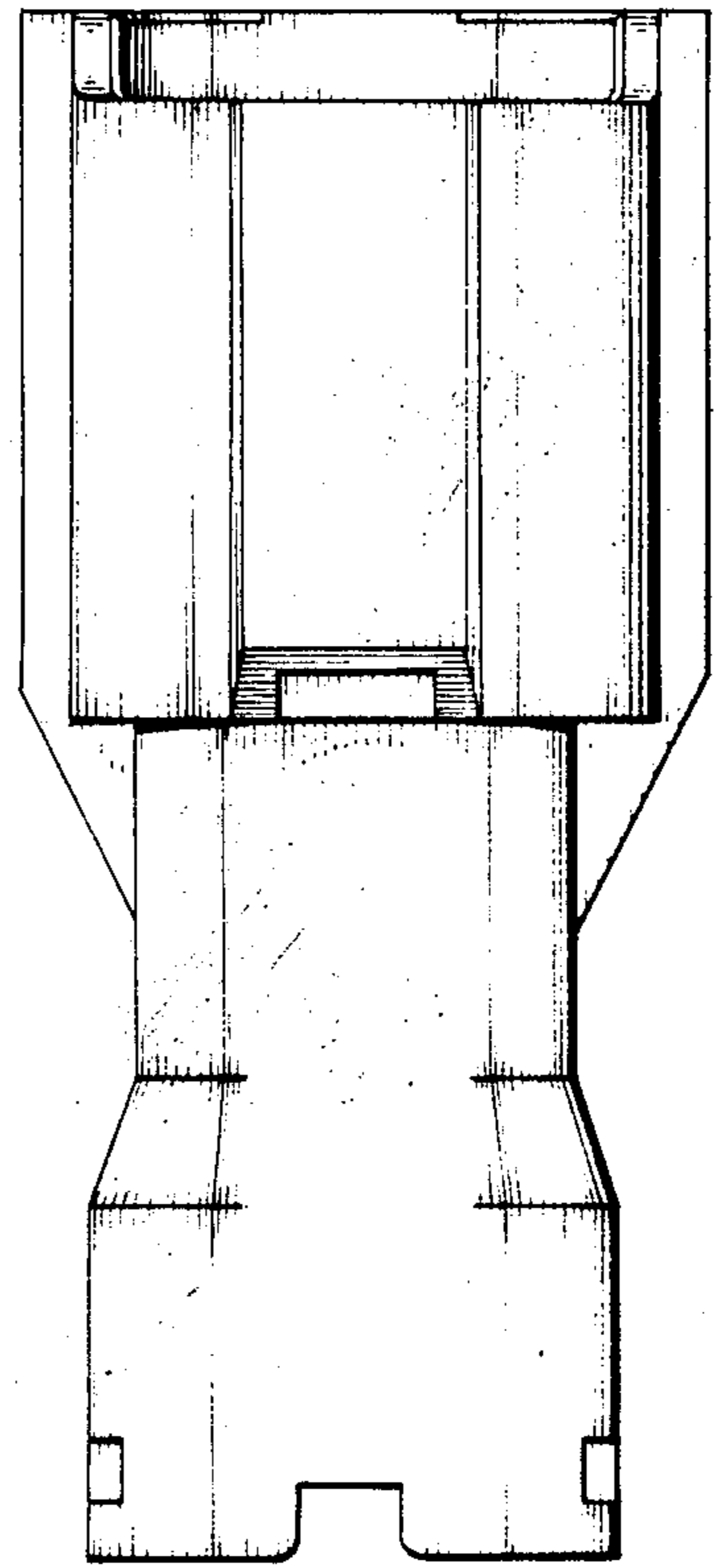


FIG 2A

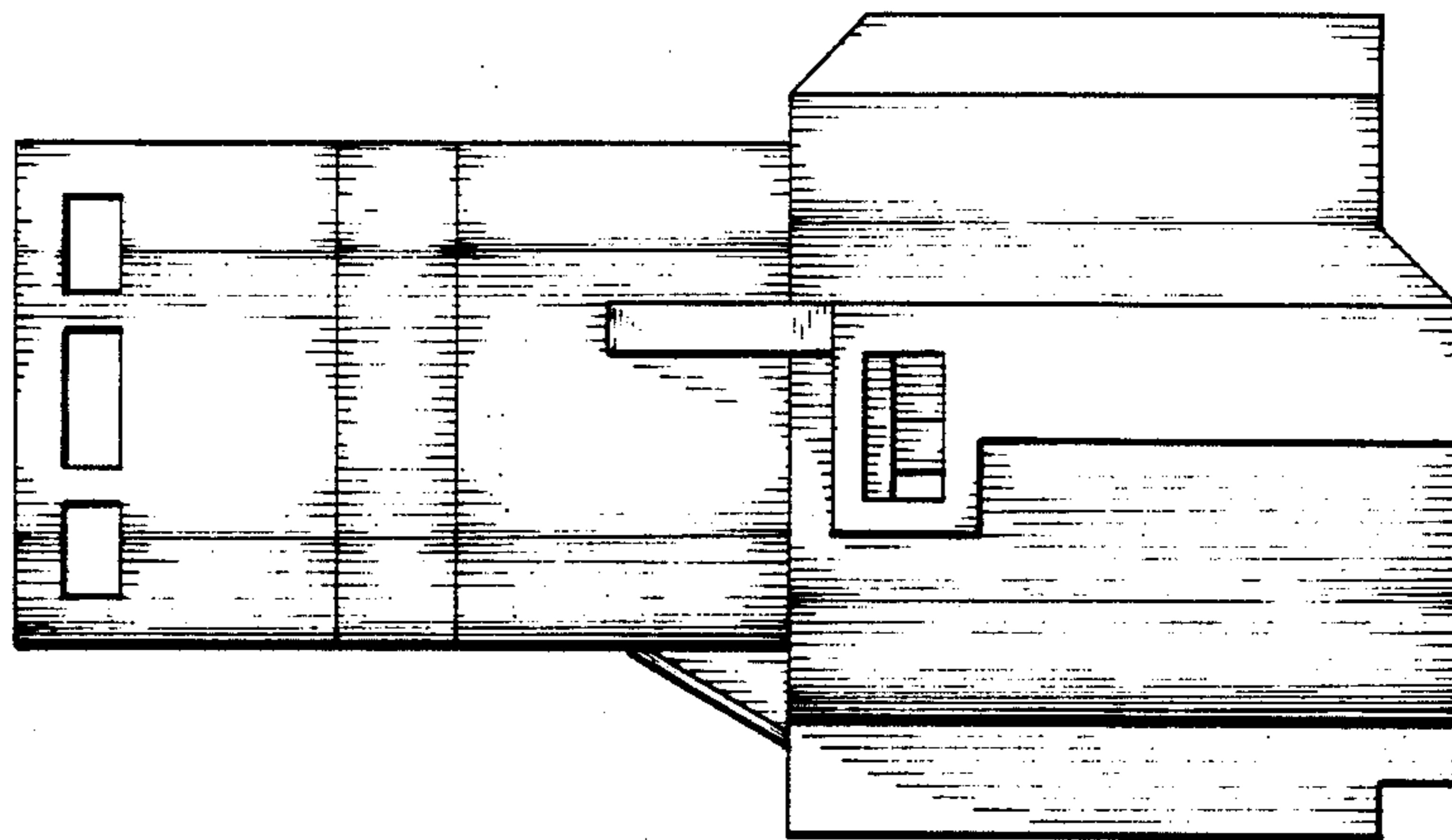


FIG 22

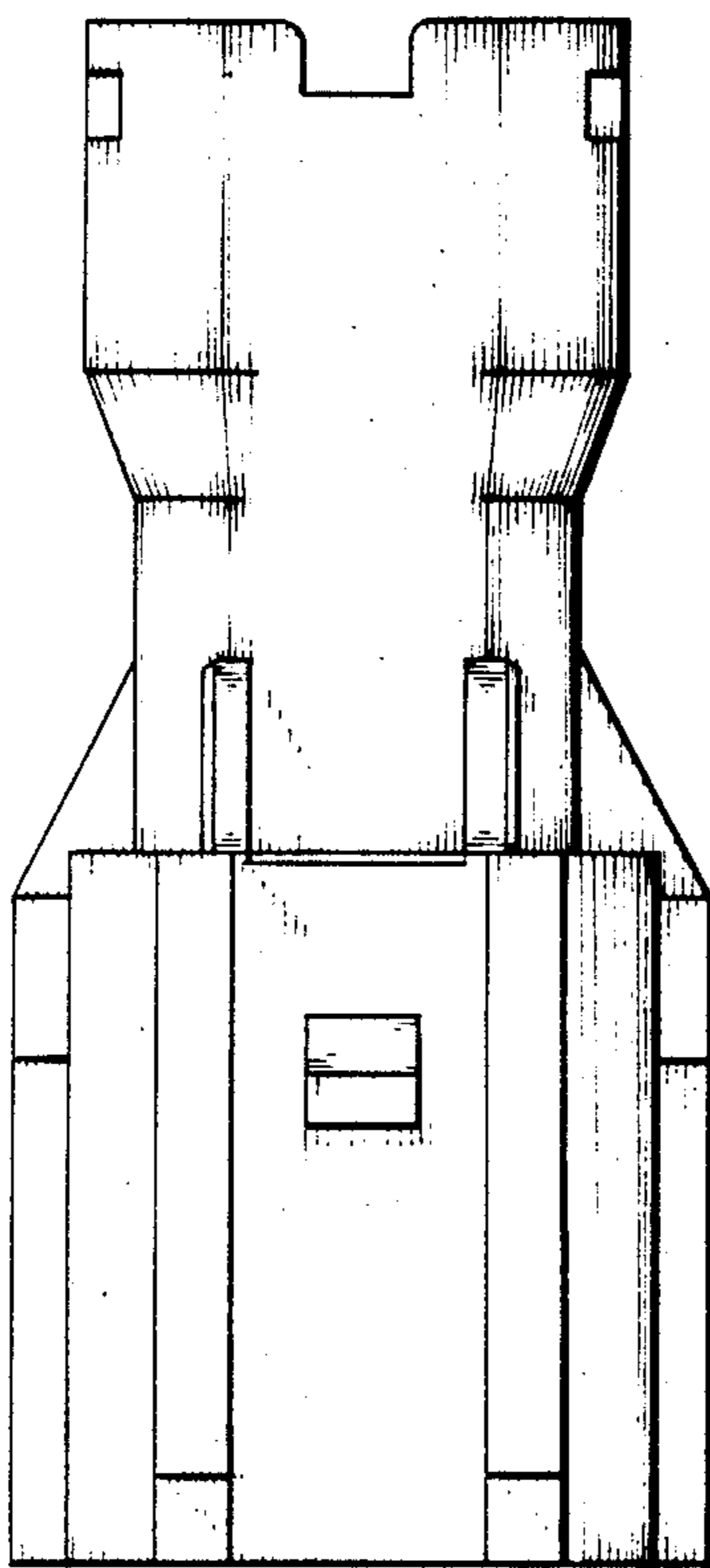


FIG 23

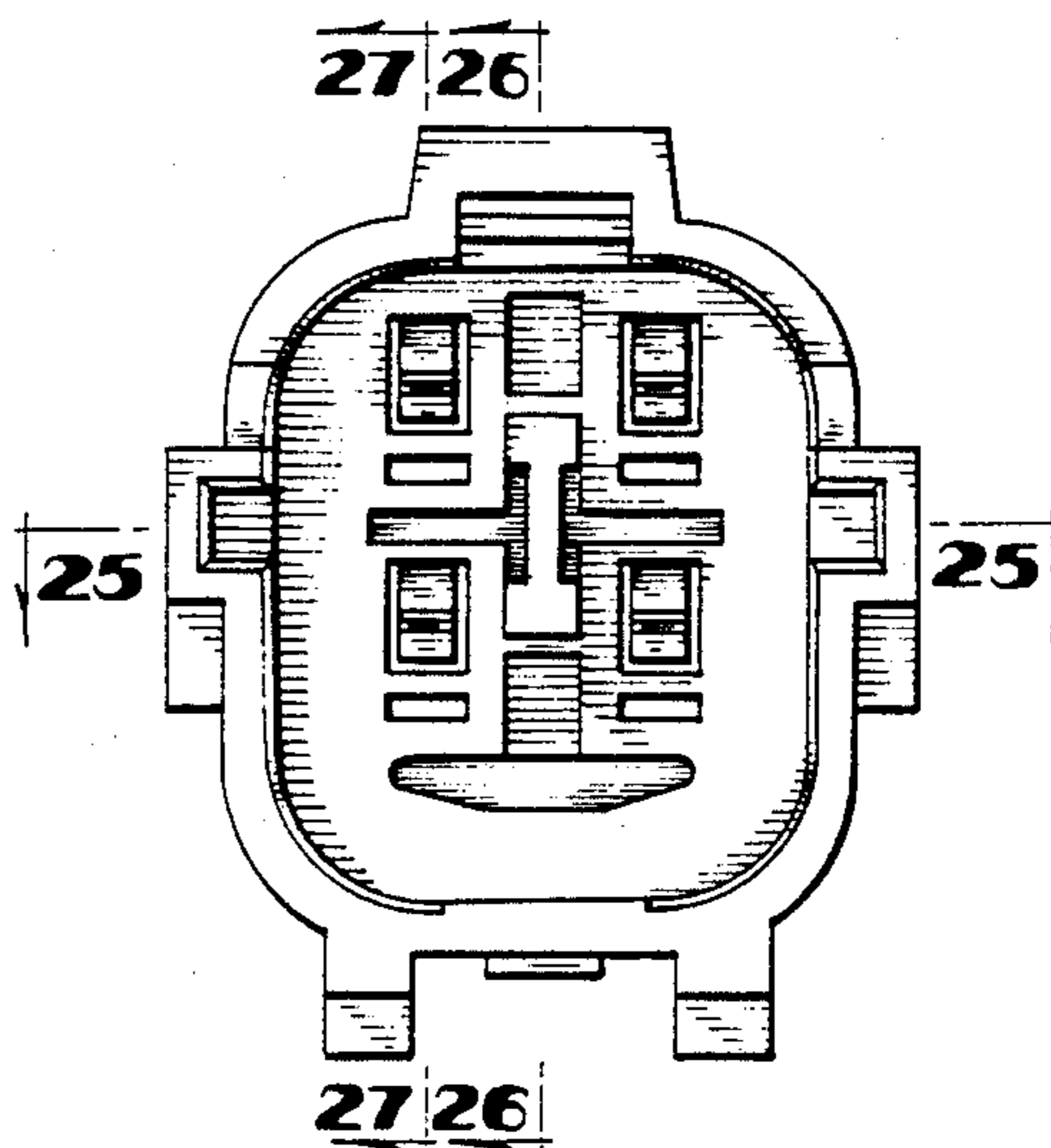


FIG 24

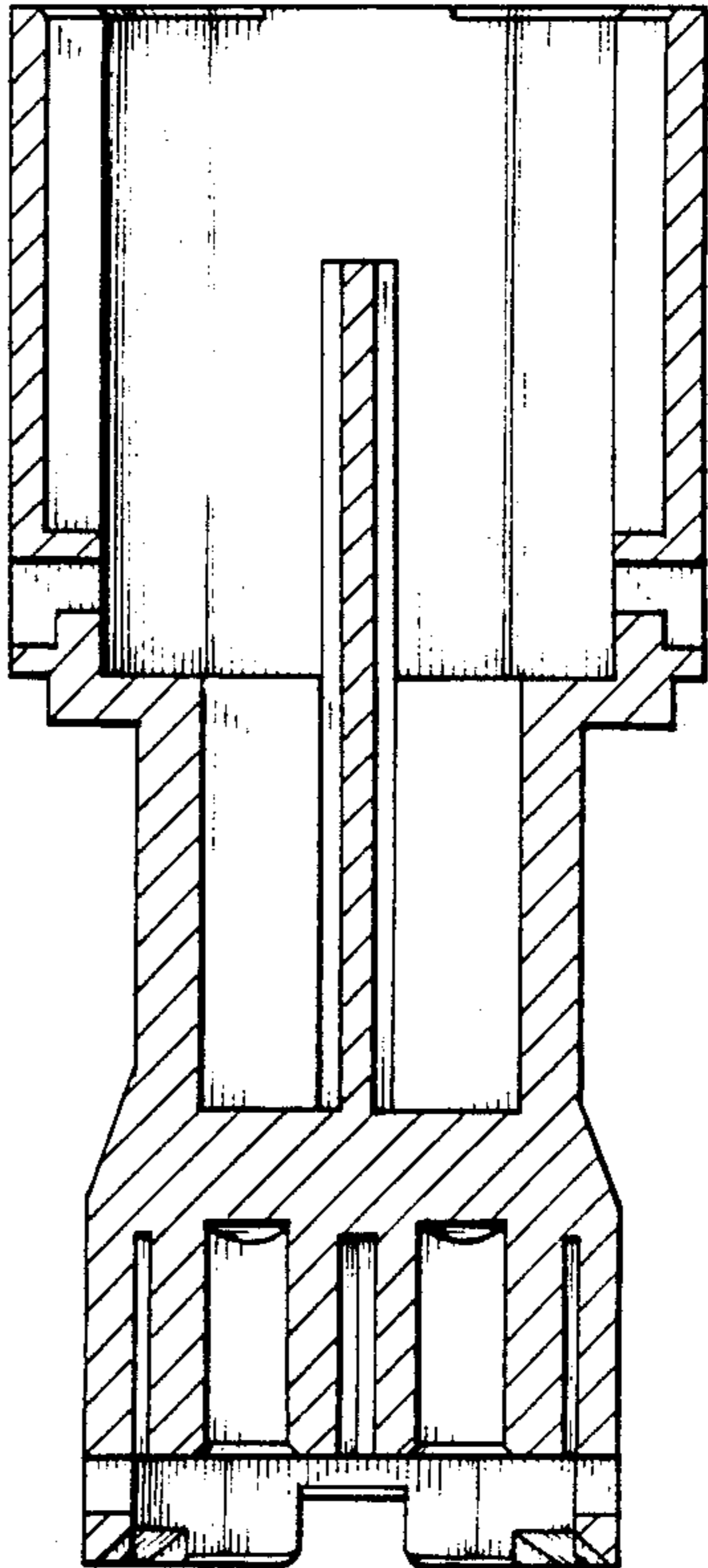


FIG 25

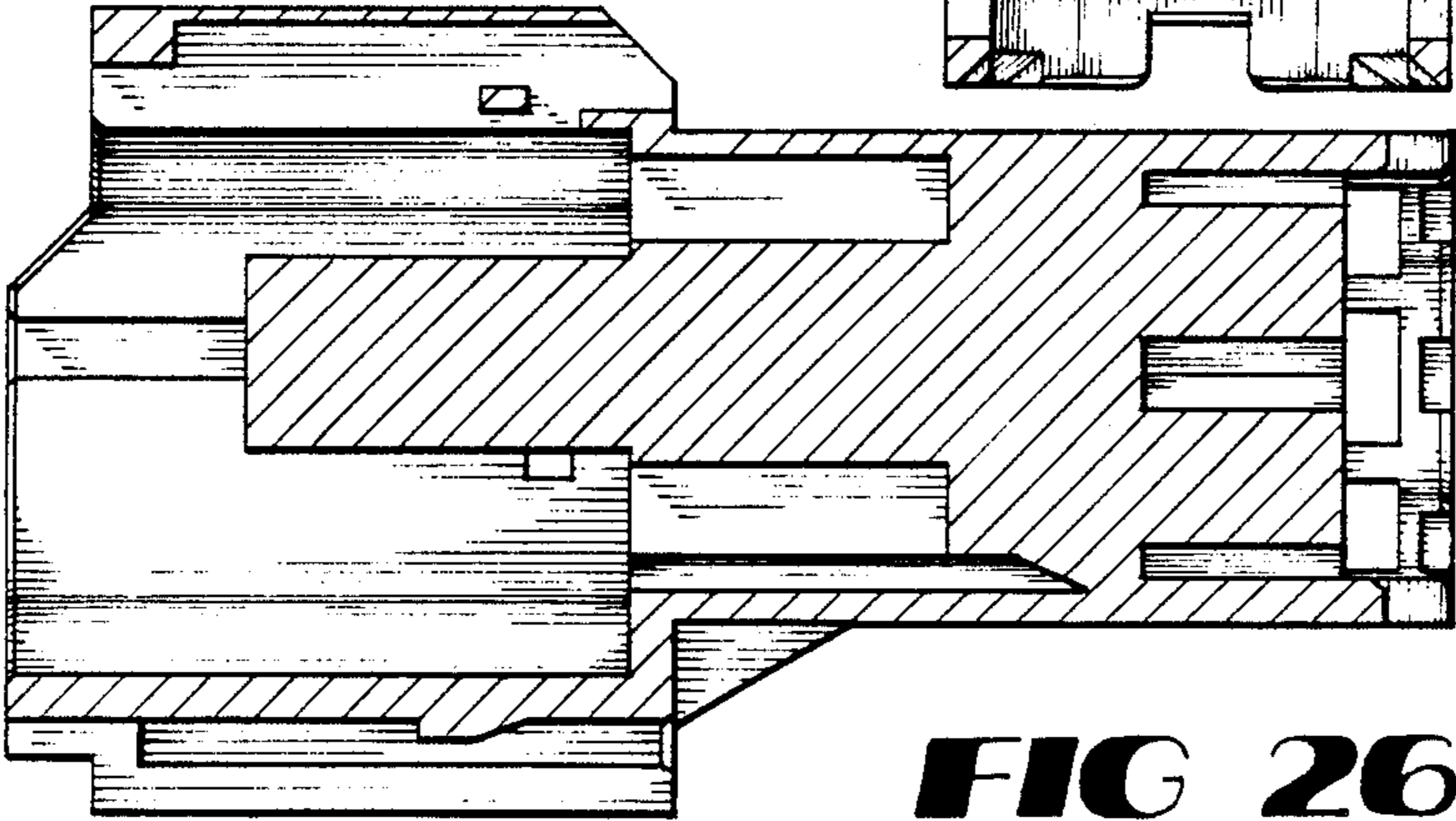


FIG 26

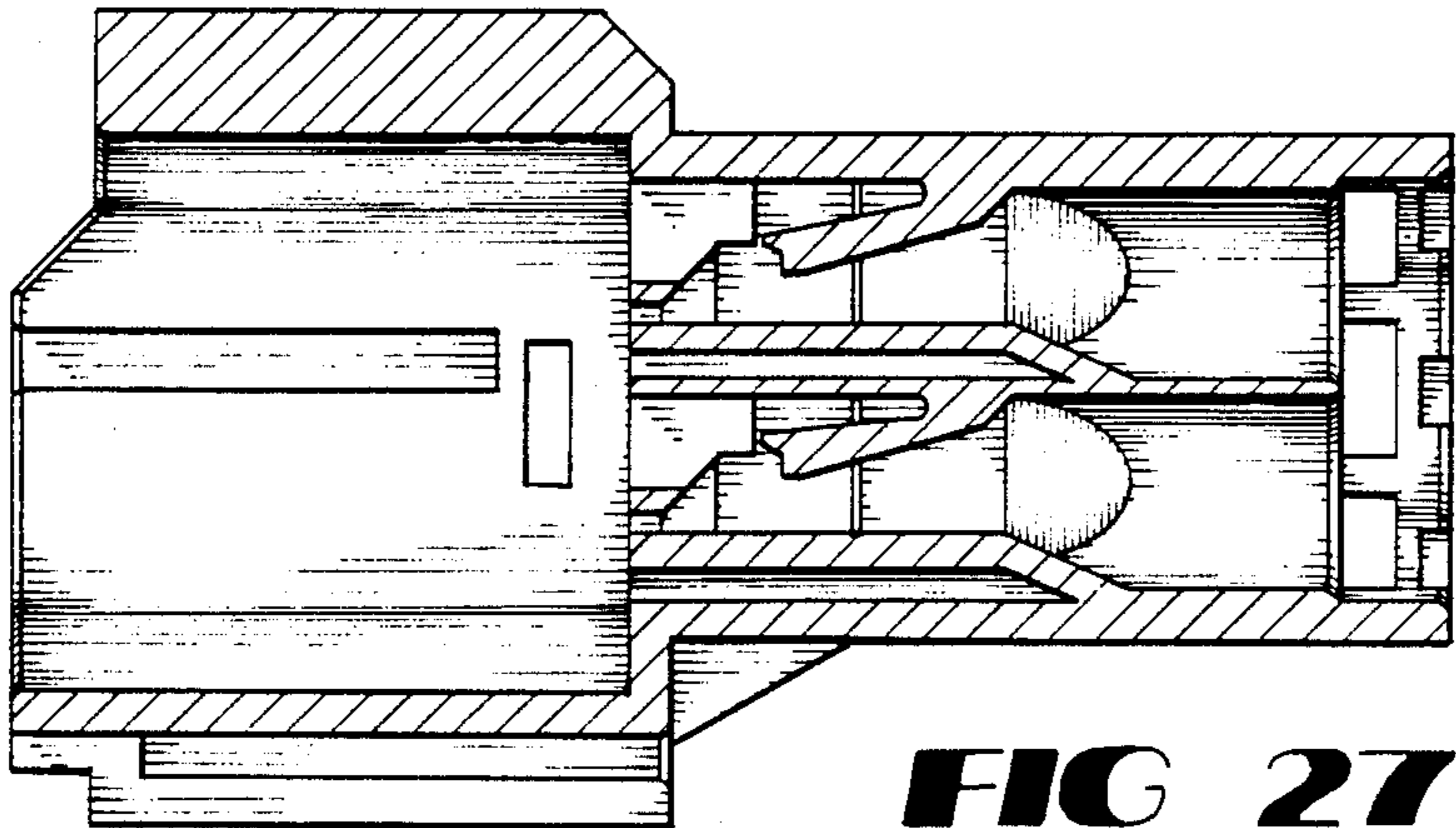


FIG 27