

United States Patent [19]

Envall et al.

[11] Patent Number: **Des. 309,287**

[45] Date of Patent: **** Jul. 17, 1990**

[54] **LEFT FRONT DOOR FOR AN AUTOMOBILE**

[75] Inventors: **Björn E. A. Envall**, Vänersborg, Sweden; **Giorgetto Giugiaro**, Trofarello, Italy

[73] Assignee: **Saab-Scania Aktiebolag**, Trollhattan, Sweden

[**] Term: **14 Years**

[21] Appl. No.: **603,942**

[22] Filed: **Apr. 24, 1984**

[30] **Foreign Application Priority Data**

Oct. 26, 1983 [SE] Sweden 83-2778
[52] U.S. Cl. **D12/196**
[58] Field of Search D12/196; 49/502;
296/146

[56] **References Cited
PUBLICATIONS**

Motor Trend, 10/81, p. 31, Saab 9000 left front door, top of page.
Road & Track, 3/83, p. 112, Volvo 760 GLE Front Door, bottom of page.
1978 Pontiac Catalog, p. 22, Pontiac LeMans Front Door.

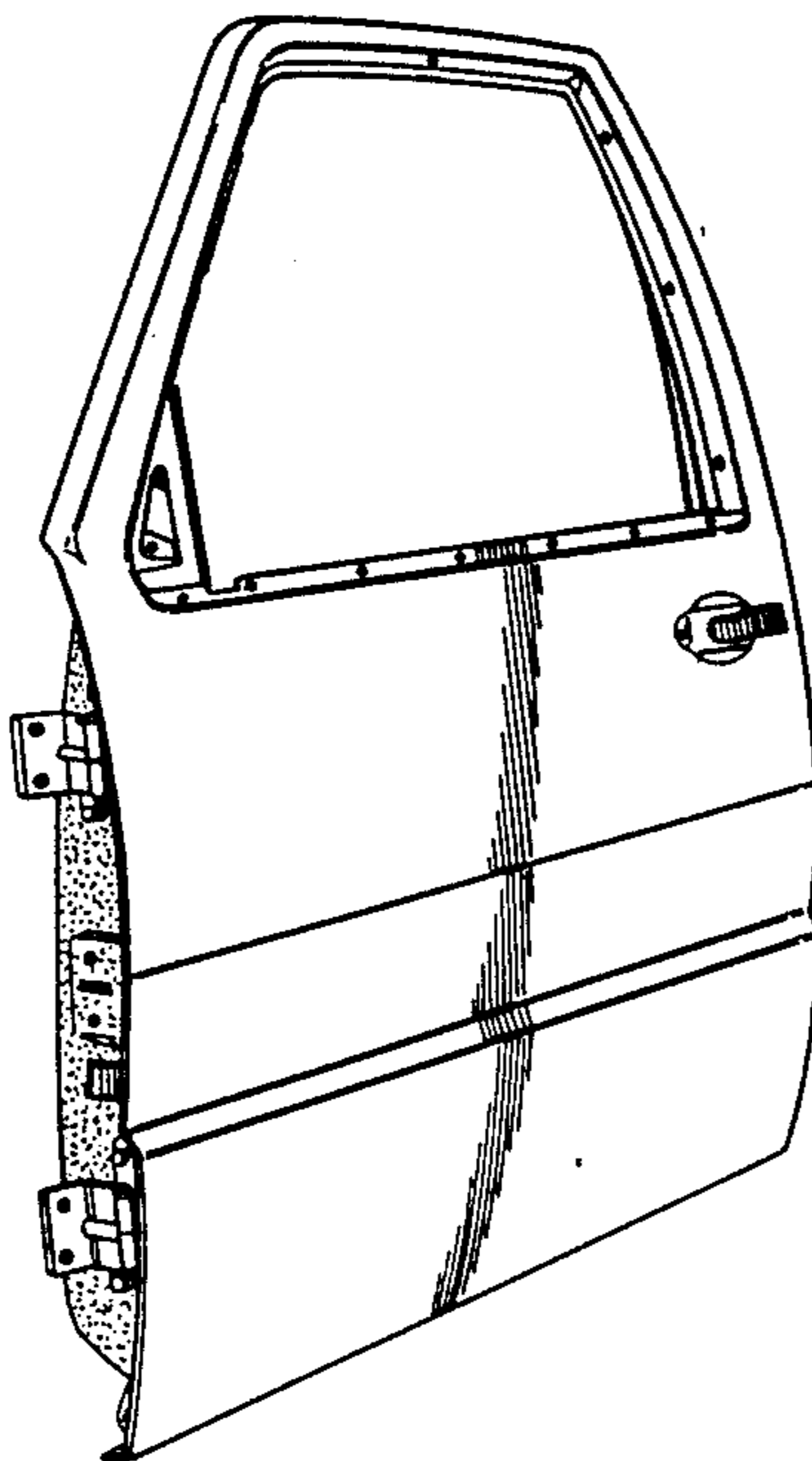
Primary Examiner—James M. Gandy
Attorney, Agent, or Firm—Young & Thompson

[57] **CLAIM**

The ornamental design for a left front door for an automobile, as shown.

DESCRIPTION

FIG. 1 is a front elevational view of the outside of a left front door for an automobile;
FIG. 2 is a front perspective view of the outside thereof; and
FIG. 3 is a rear perspective view of the inside thereof.



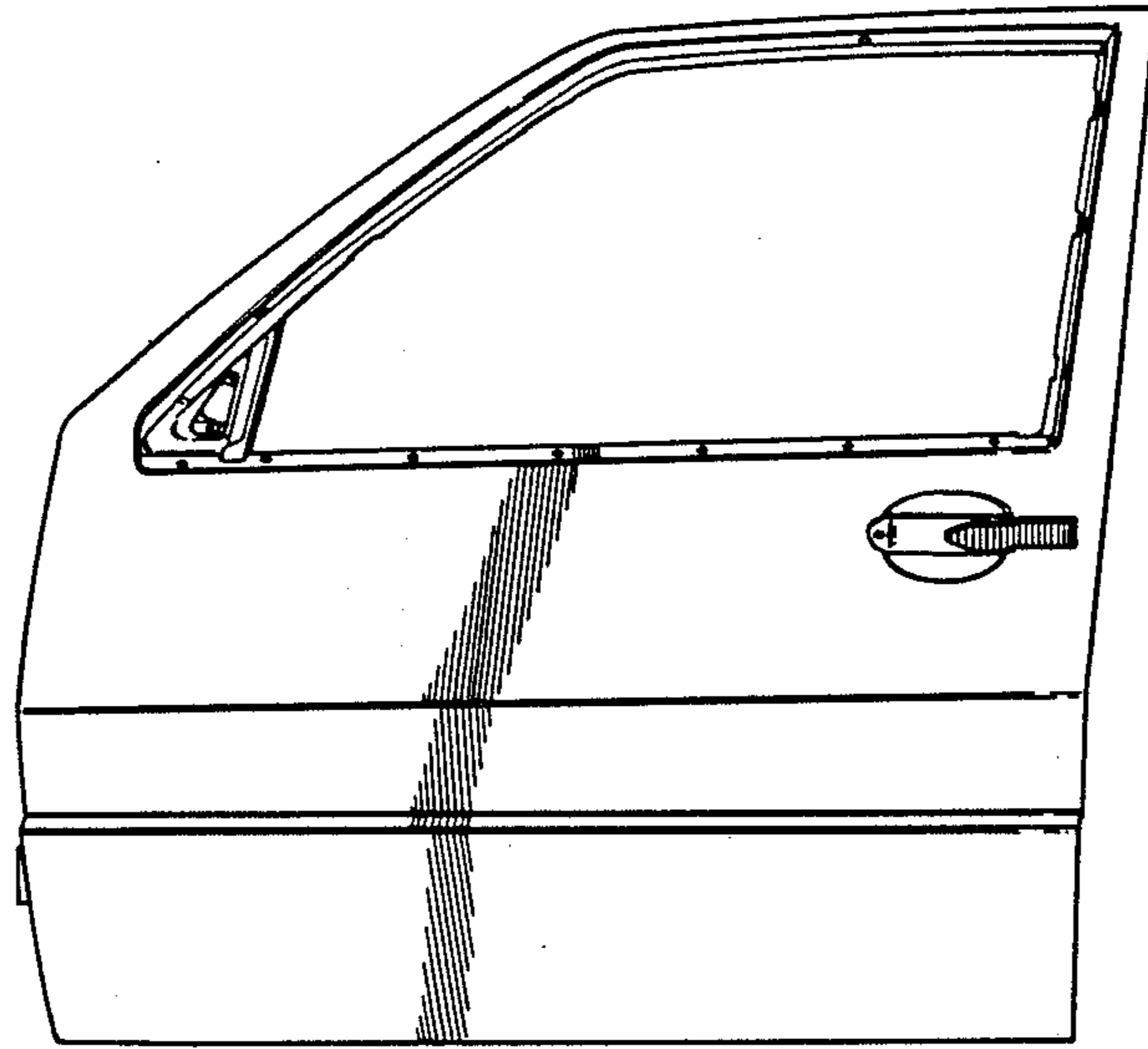


FIG. 1

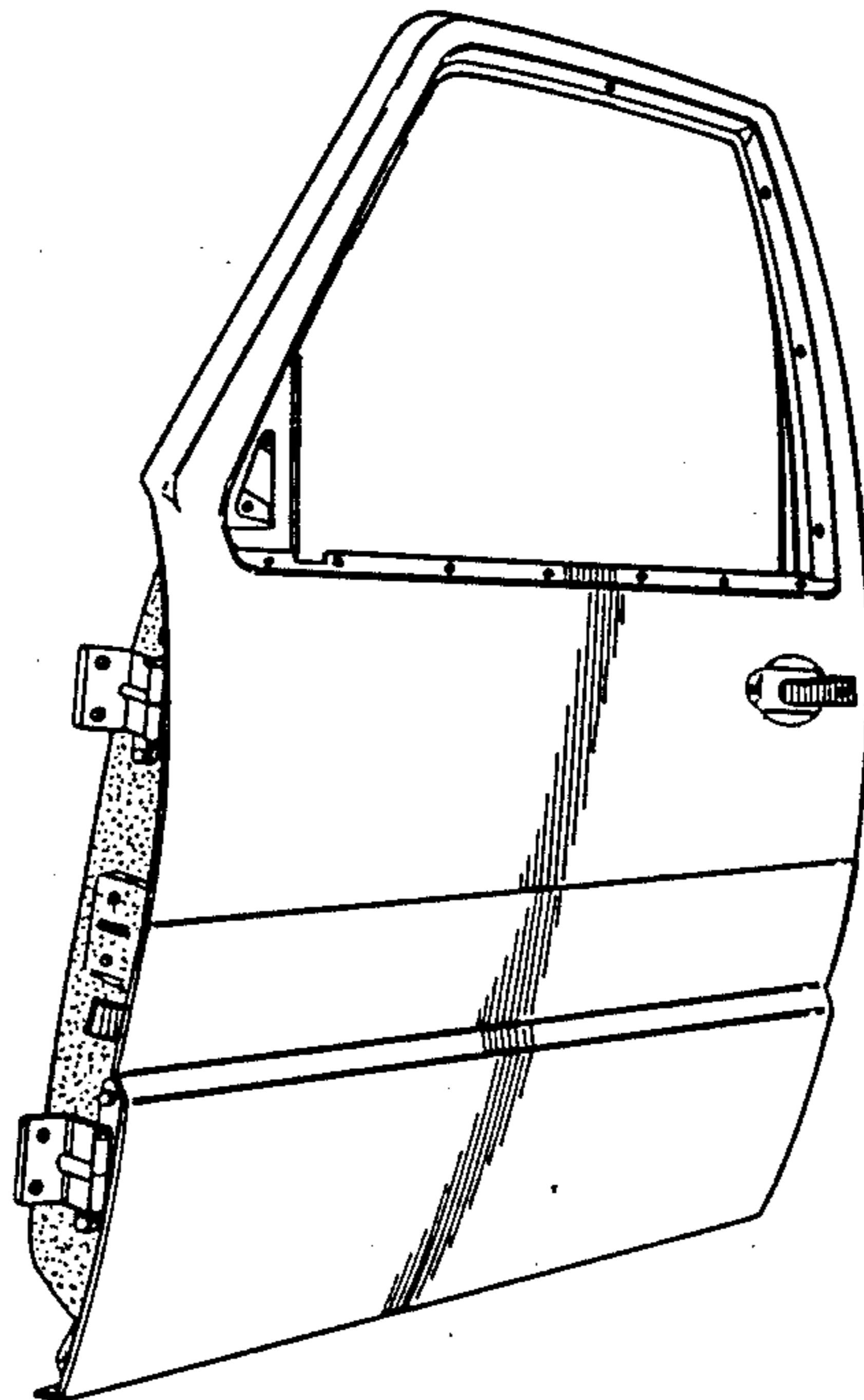


FIG. 2

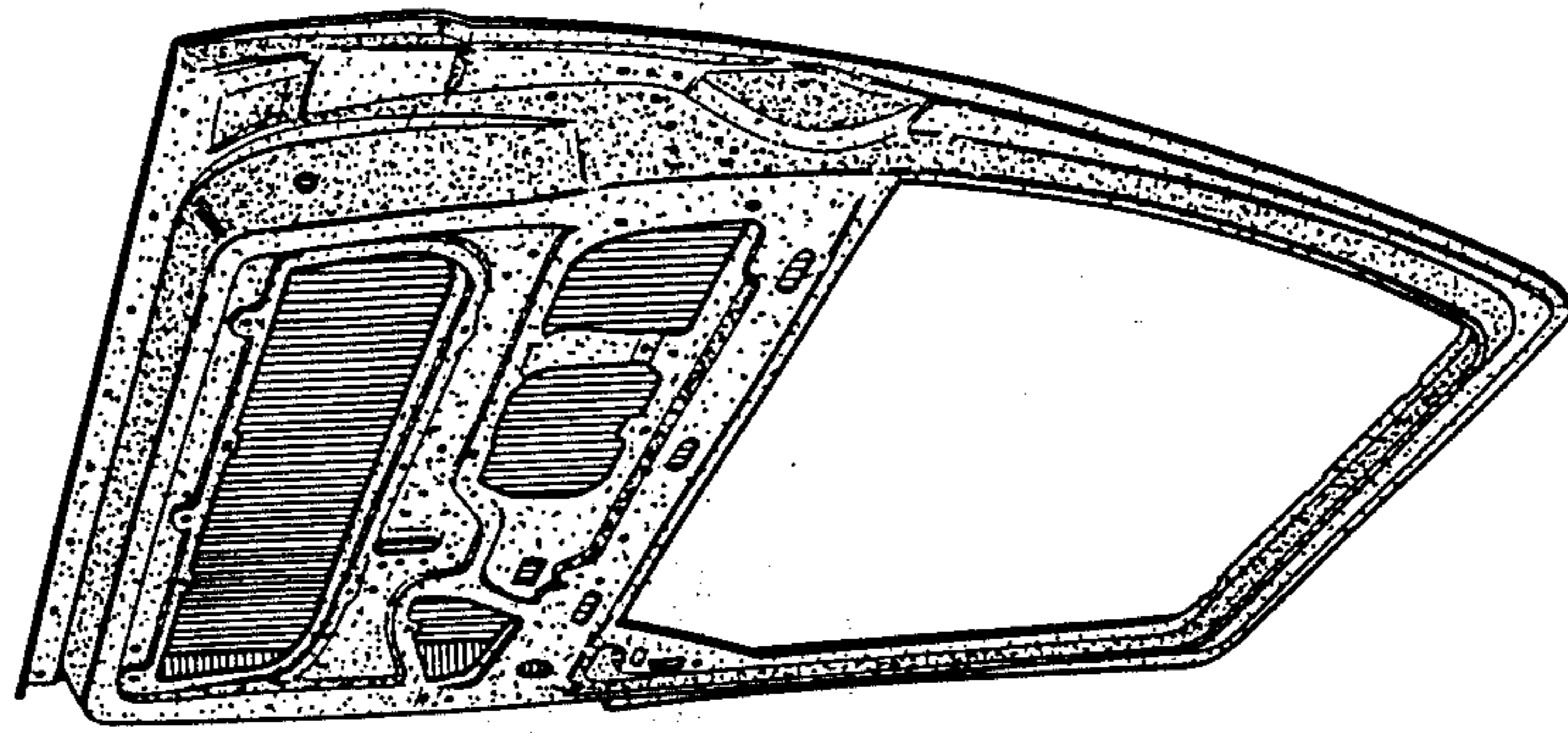


FIG. 3