

[54] VAN

[75] Inventors: George J. Tisten, Elkhart; Donald J. Wilson, Granger; Eugene A. Dylewski, II, Granger, all of Ind.

[73] Assignee: Holiday Rambler Corporation, Wakarusa, Ind.

[**] Term: 14 Years

[21] Appl. No.: 262,481

[22] Filed: Oct. 25, 1988

[52] U.S. Cl. D12/99

[58] Field of Search D12/99, 100; 296/181, 296/183

[56] References Cited

U.S. PATENT DOCUMENTS

D. 206,376 12/1966 Ornas, Jr. D12/99

OTHER PUBLICATIONS

Commercial Carrier Journal, 10/87, p. 79, Chevrolet P Series Van, top of page.

Commercial Carrier Journal, 6/88, p. 97, GMC Van, top of page.

Primary Examiner—James M. Gandy

[57] CLAIM

The ornamental design for a van, as shown and described.

DESCRIPTION

FIG. 1 is a side elevation view of a van showing our new design, the opposite side being a mirror image thereof;

FIG. 2 is a top plan view thereof;

FIG. 3 is a front elevation view thereof;

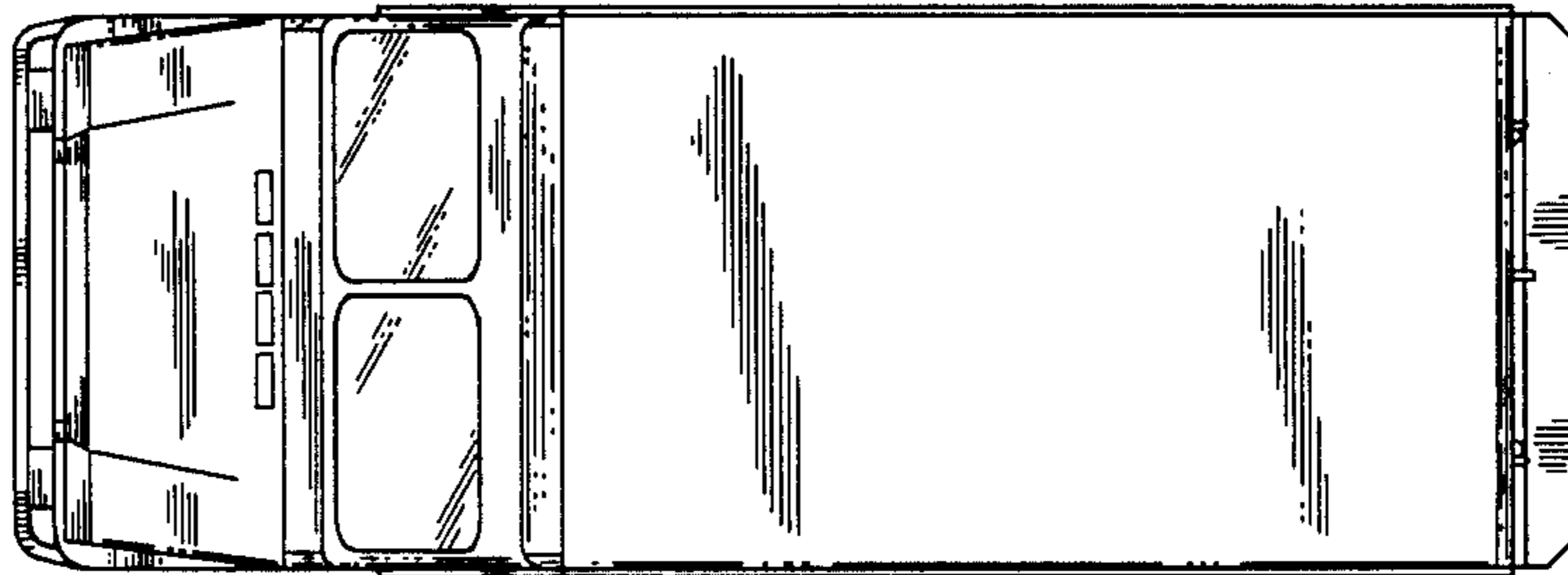
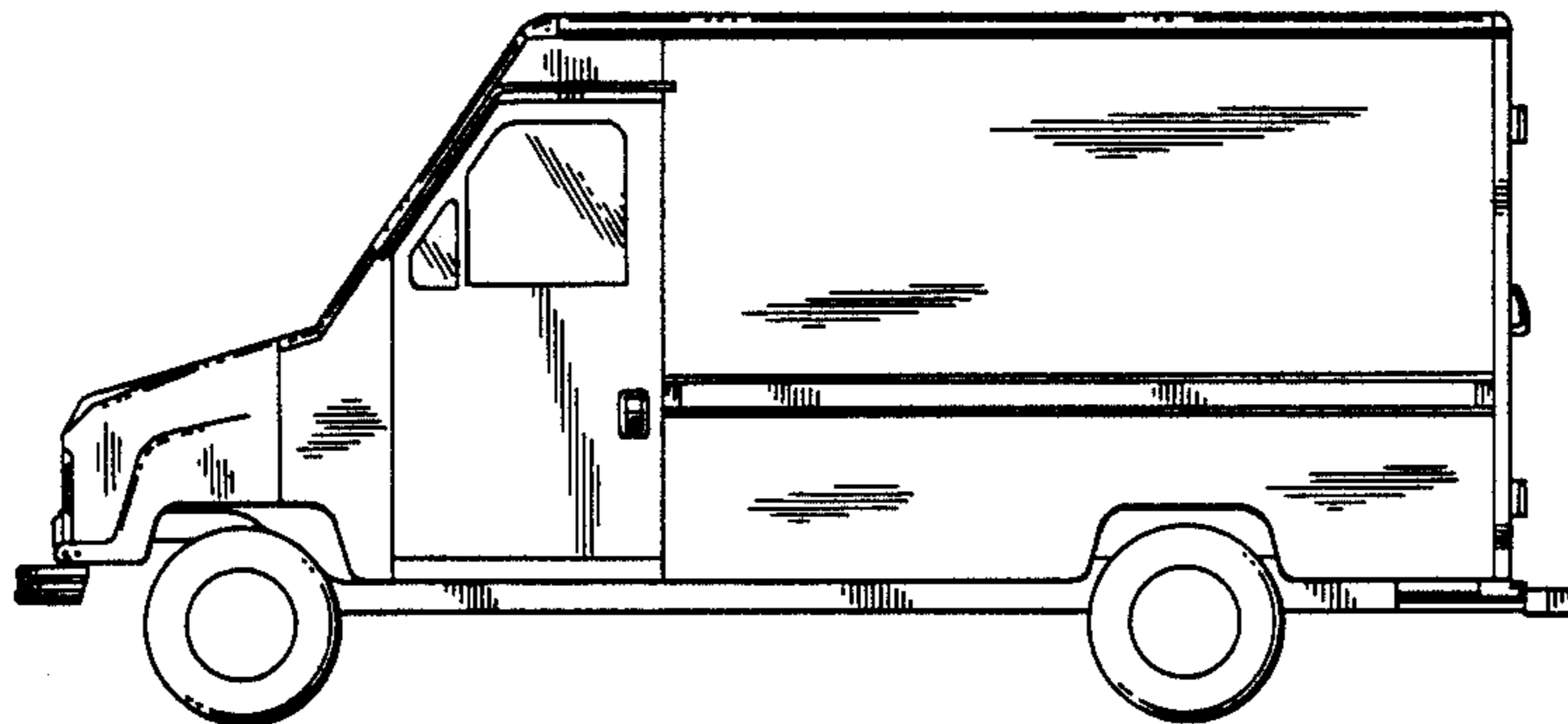
FIG. 4 is a rear elevation view thereof;

FIG. 5 is a side elevation view of a van showing a second embodiment of our new design, the opposite side being a mirror image of that shown;

FIG. 6 is a top plan view of FIG. 5;

FIG. 7 is a front elevation view of FIG. 5; and

FIG. 8 is a rear elevation view of FIG. 5.



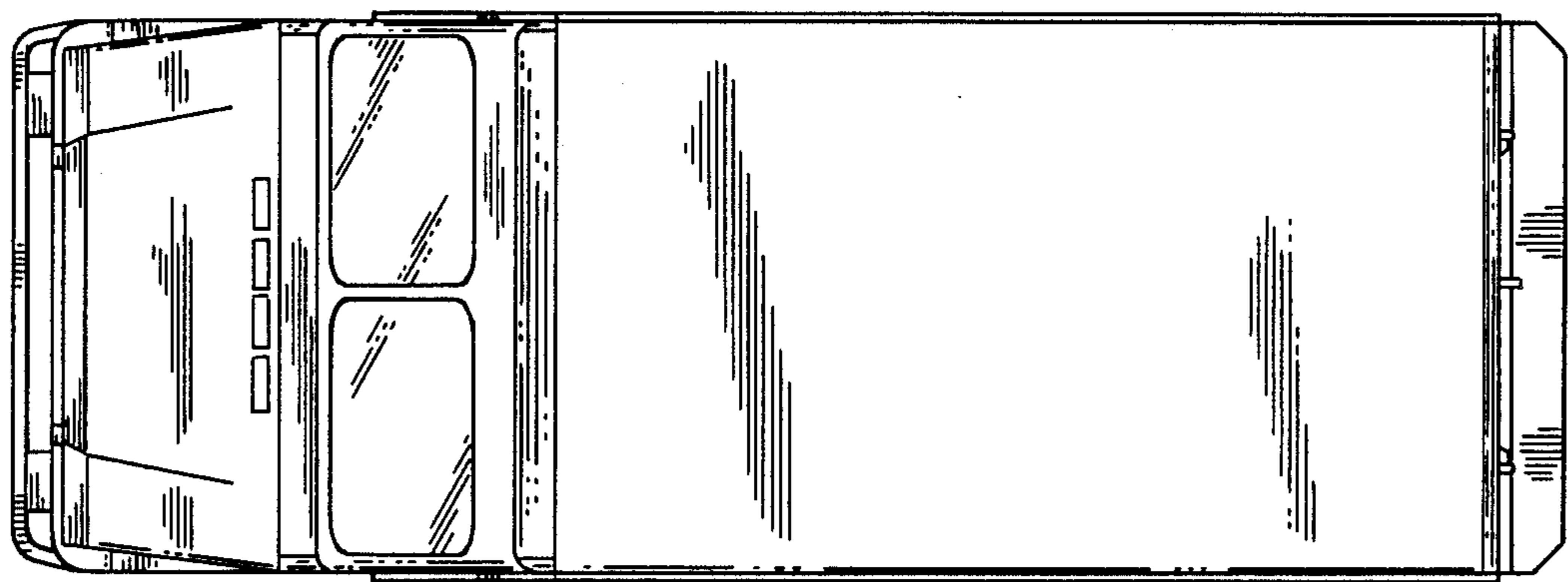
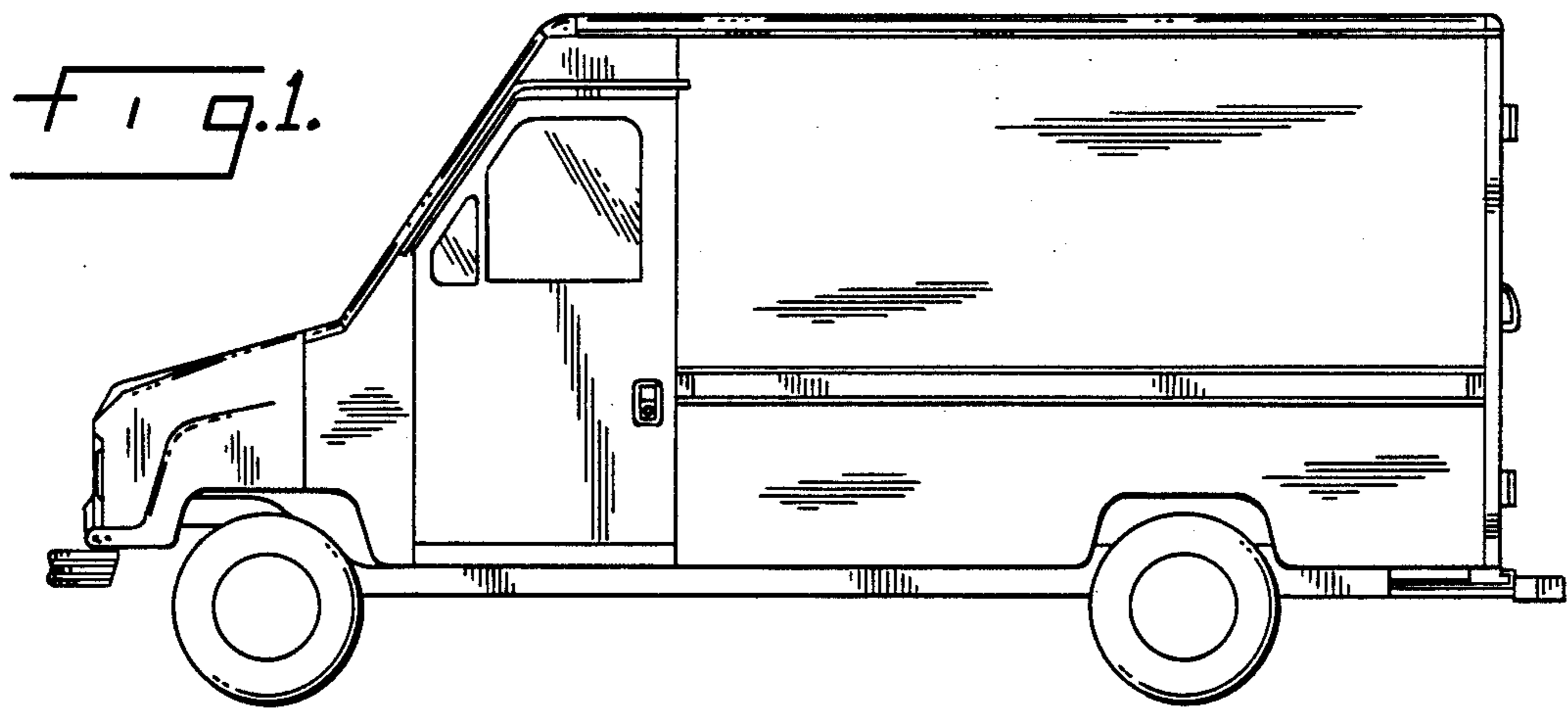


fig. 2.

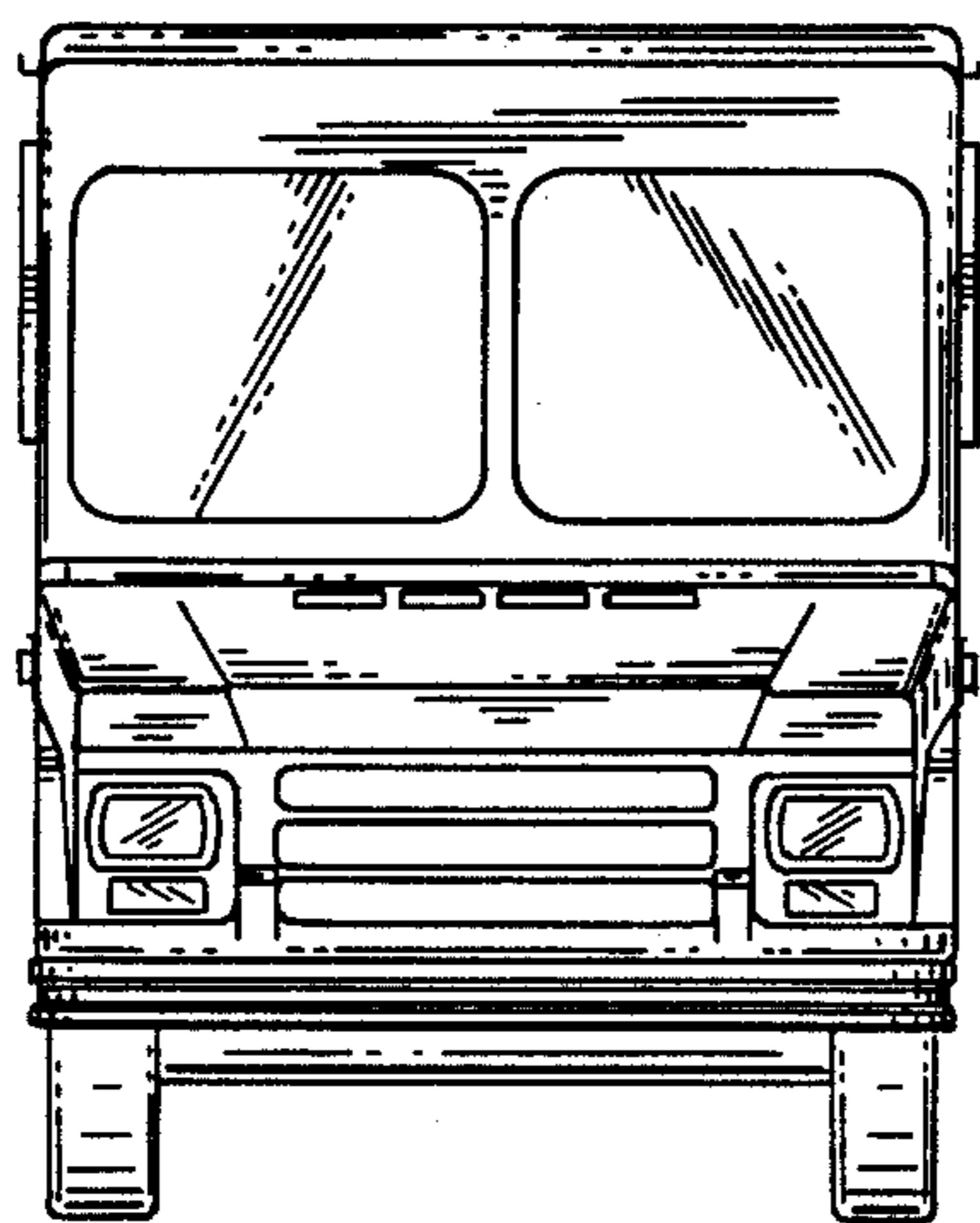


fig. 3.

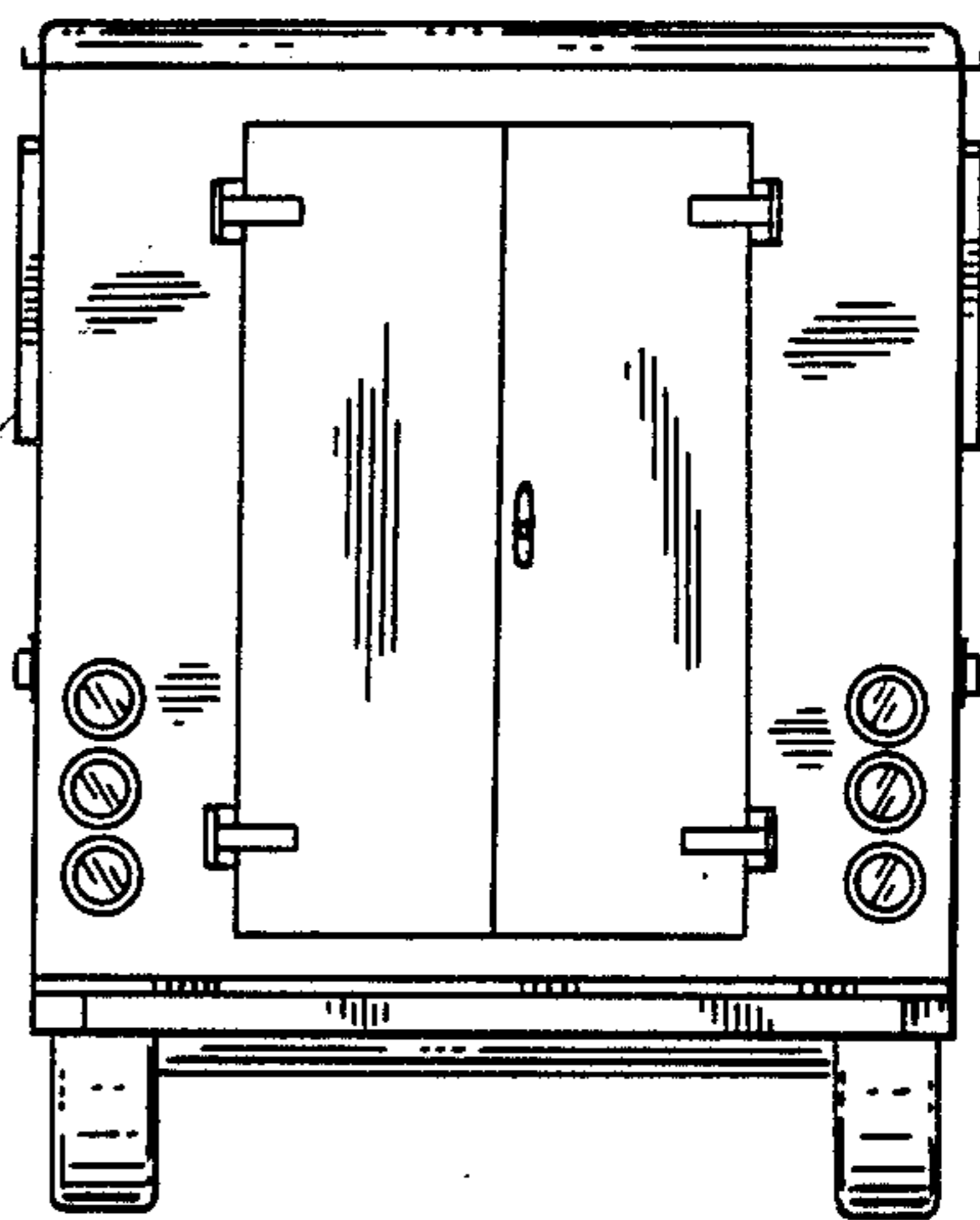


fig. 4.

Fig. 5.

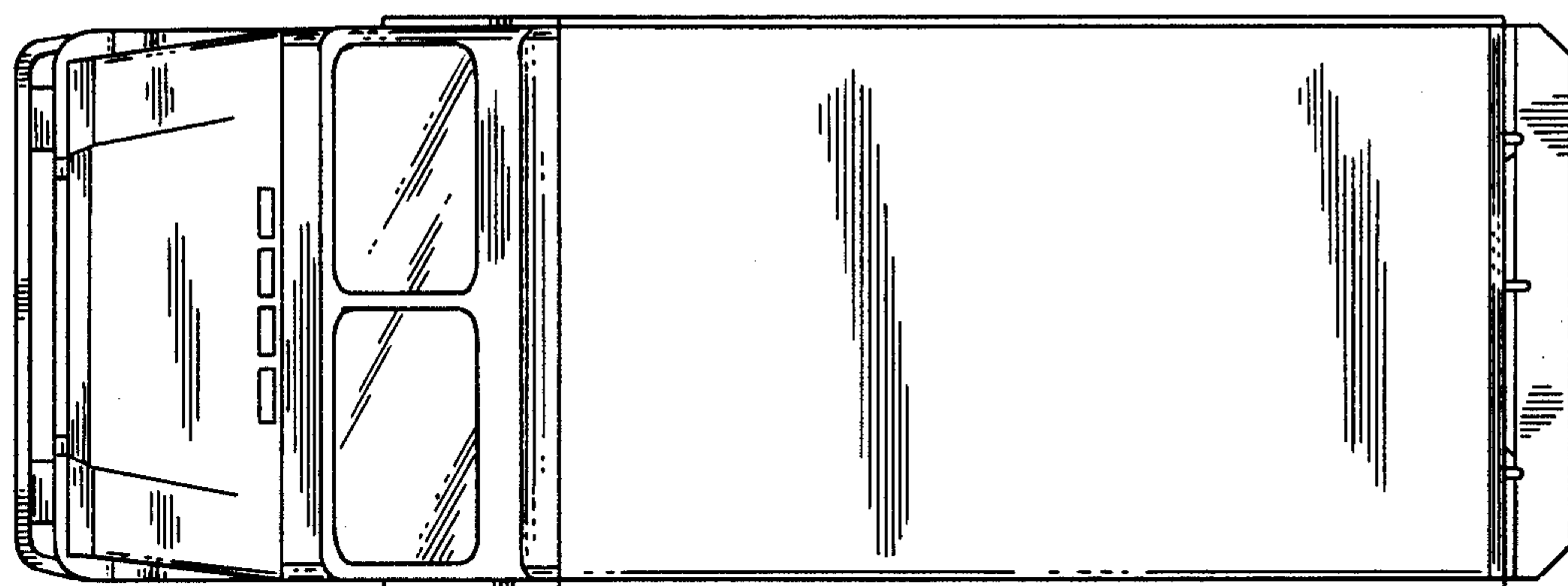
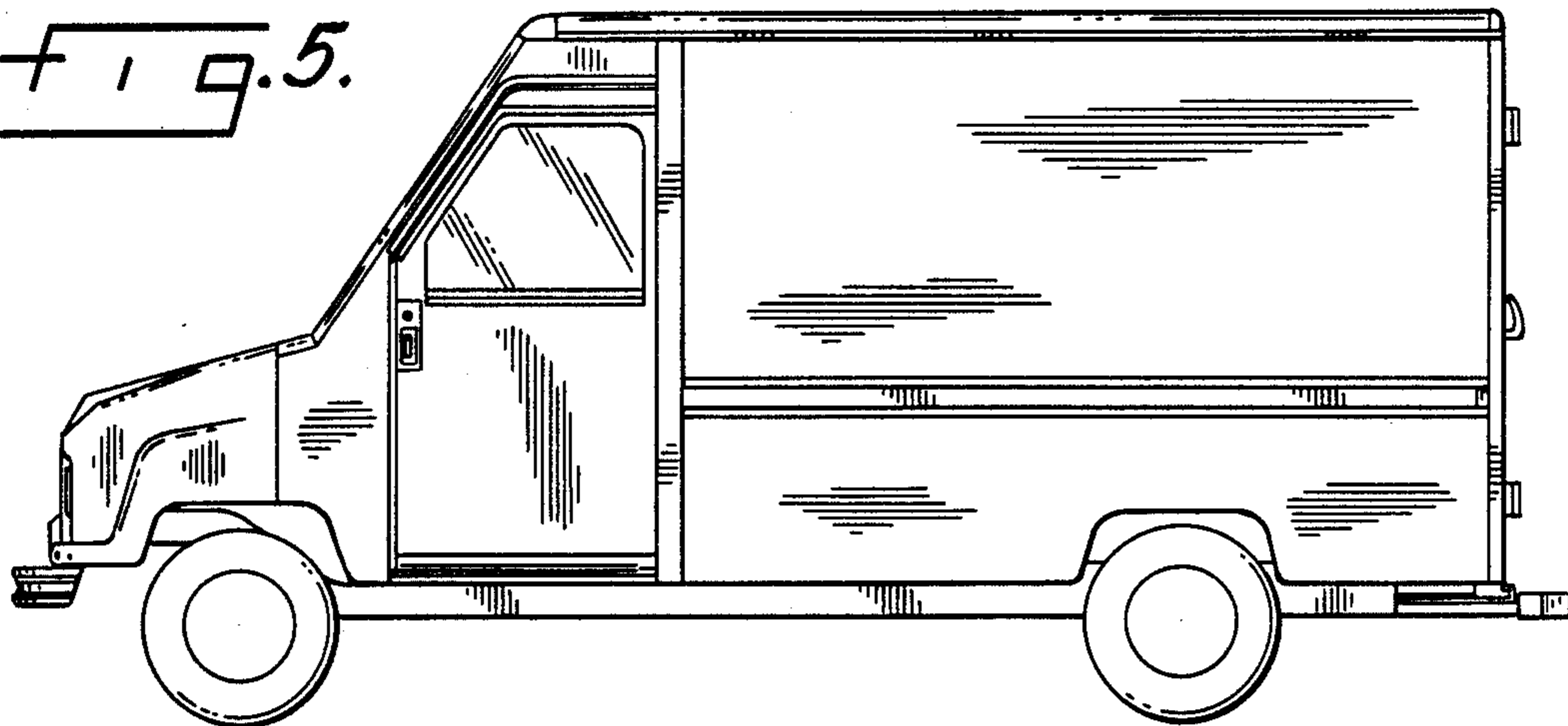


Fig. 6.

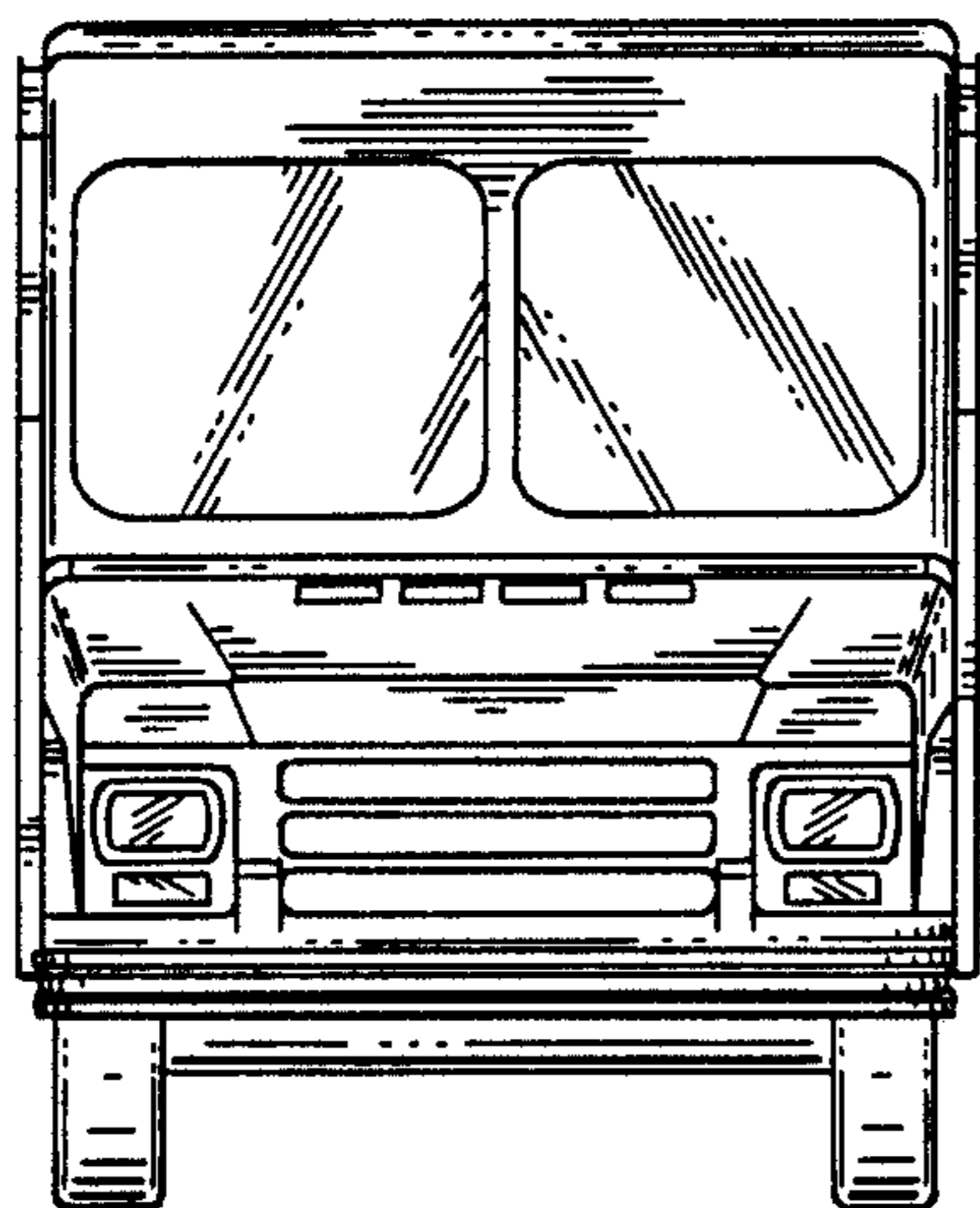


Fig. 7.

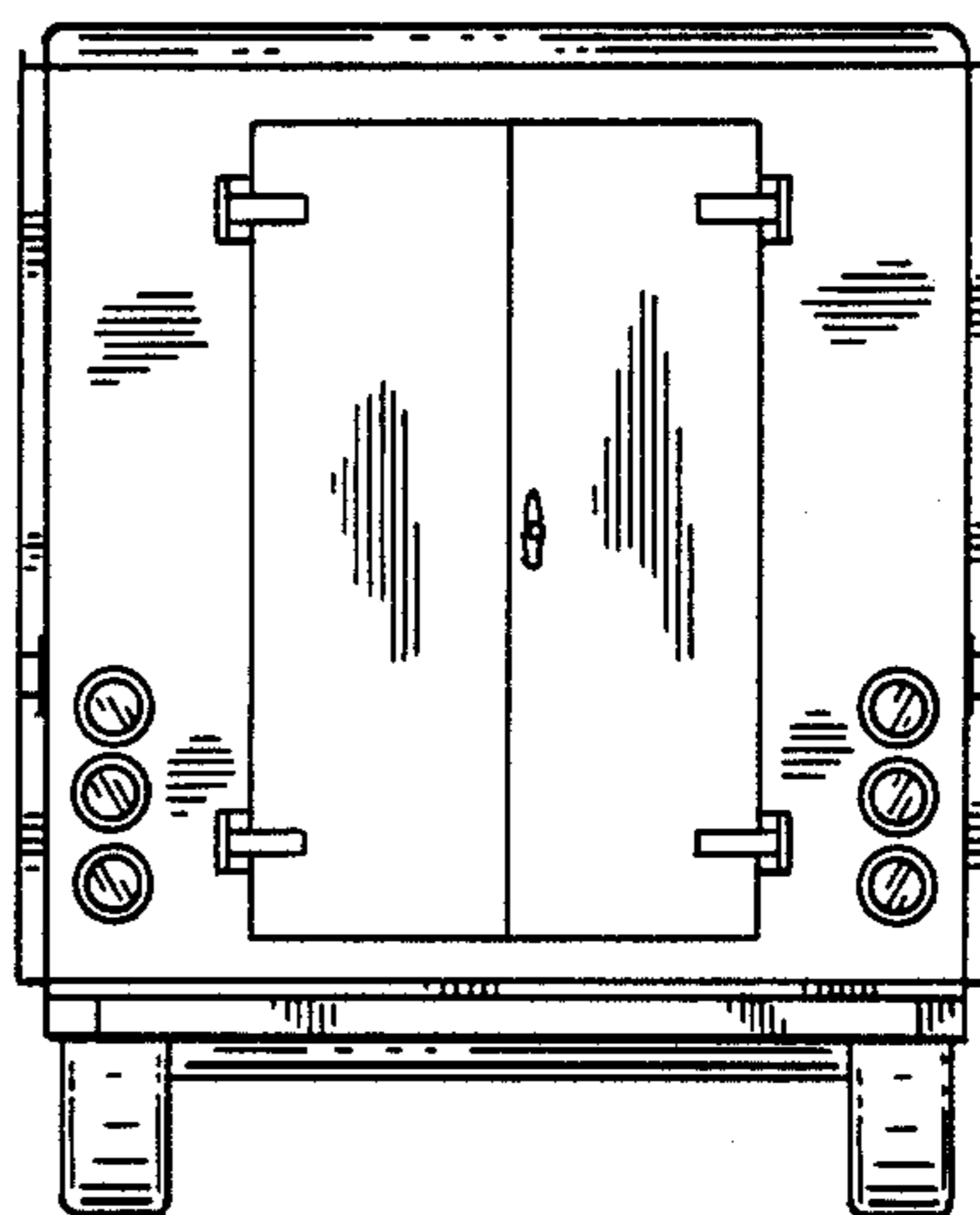


Fig. 8.